



US00D348636S

United States Patent [19]

[11] Patent Number: **Des. 348,636**

Williams et al.

[45] Date of Patent: **** Jul. 12, 1994**

[54] **BICYCLE STEM COVER**

4,322,087	3/1982	Addicks	D12/118
4,676,120	6/1987	Borromeo	74/551.1
4,783,187	11/1988	McMurtrey	74/551.1

[75] Inventors: **Richard D. Williams, Brentwood; Karen Watson, Columbia, both of Tenn.**

[73] Assignee: **The Murray Ohio Manufacturing Company, Brentwood, Tenn.**

[**] Term: **14 Years**

[21] Appl. No.: **865,378**

[22] Filed: **Apr. 8, 1992**

[52] U.S. Cl. **D12/118**

[58] Field of Search 74/551.8, 551.9, 551.1;
D12/118, 111

OTHER PUBLICATIONS

American Bicyclist & Motorcyclist, Aug. 1990, p. 25 the bicycle stem shown on the Giant bicycle.

Primary Examiner—Wallace R. Burke

Assistant Examiner—M. Brown

Attorney, Agent, or Firm—Cushman, Darby & Cushman

[57] **CLAIM**

The ornamental design for a bicycle stem cover, as shown and described.

DESCRIPTION

FIG. 1 is a rear perspective view of a bicycle stem cover showing our new design;

FIG. 2 is a side elevational view thereof;

FIG. 3 is a bottom plan view thereof;

FIG. 4 is a rear elevational view thereof; and,

FIG. 5 is a front perspective view thereof.

[56] **References Cited**

U.S. PATENT DOCUMENTS

D. 313,206	12/1990	Ringle	D12/118
3,722,930	3/1973	Humlong	74/551.1
4,283,152	8/1981	Smith et al.	403/233

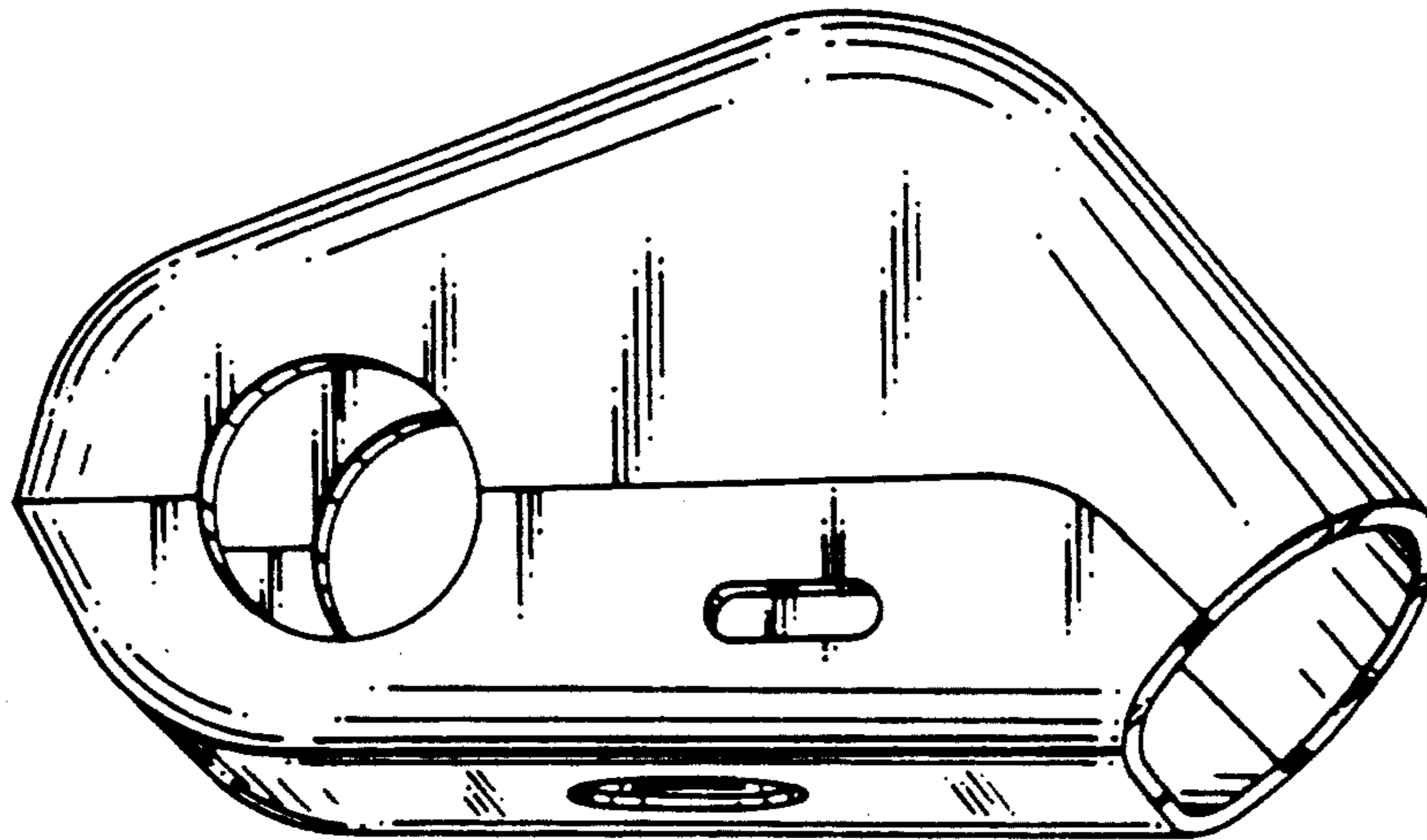


FIG. 1

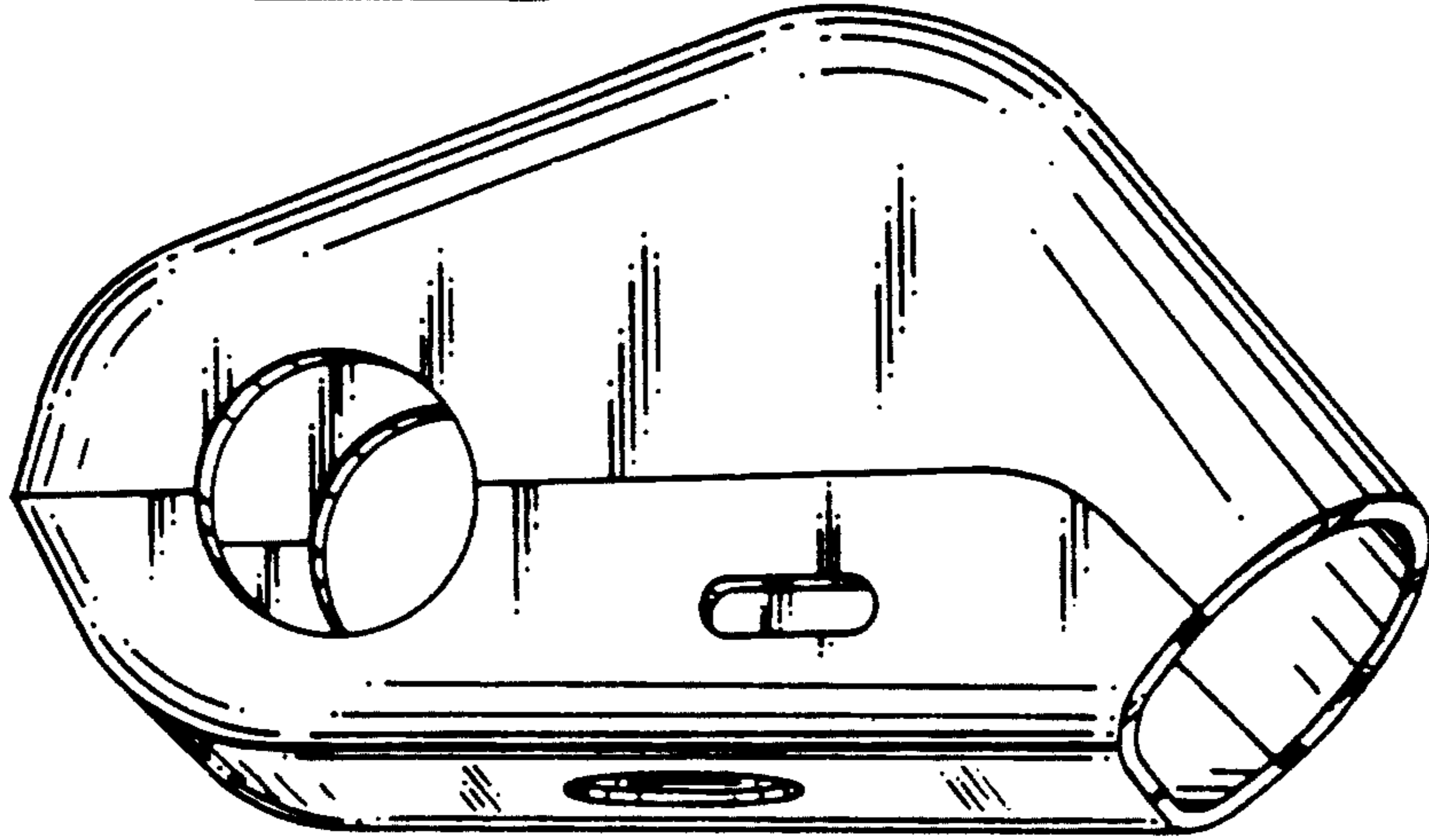


FIG. 5

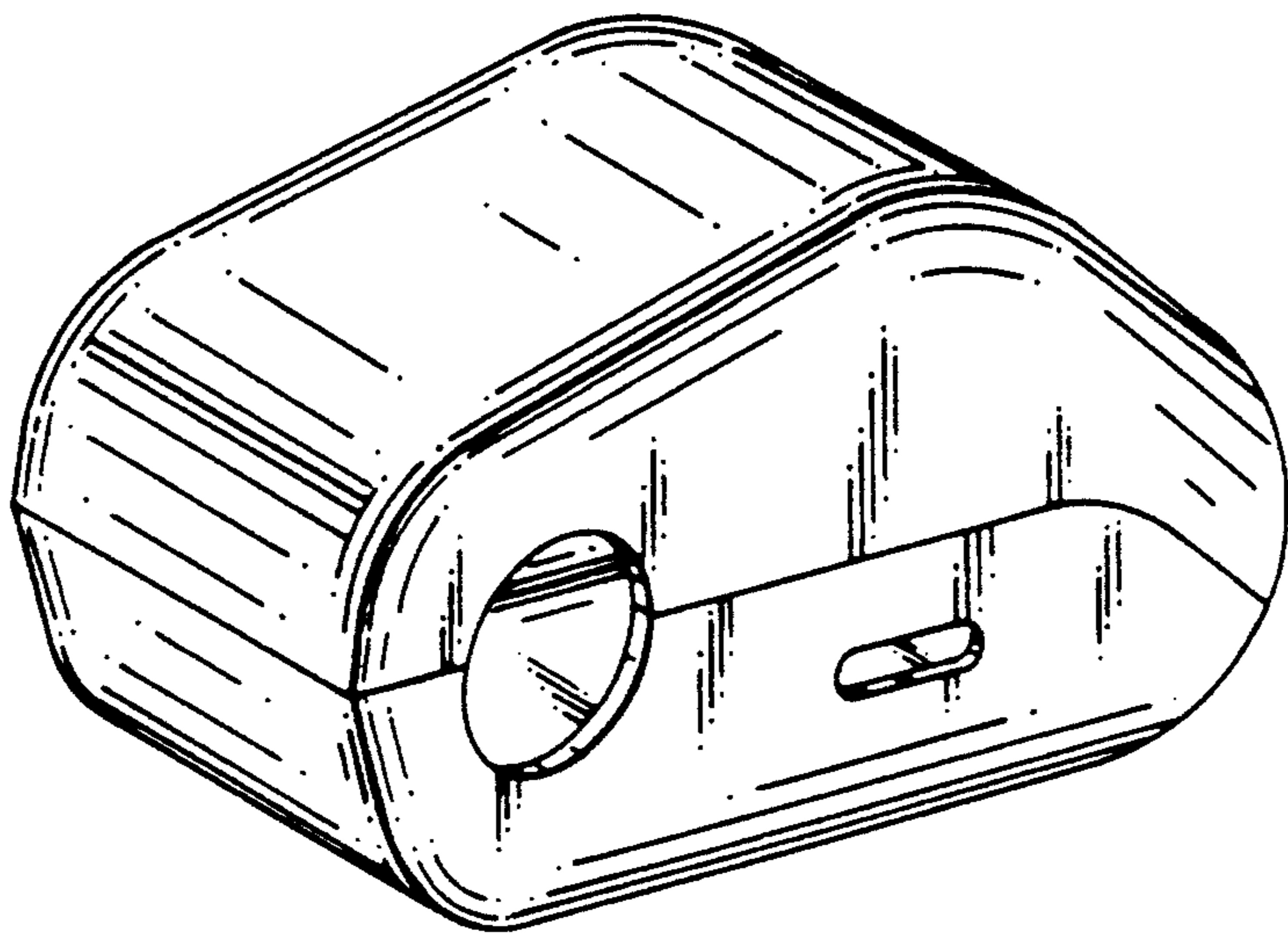


FIG. 2

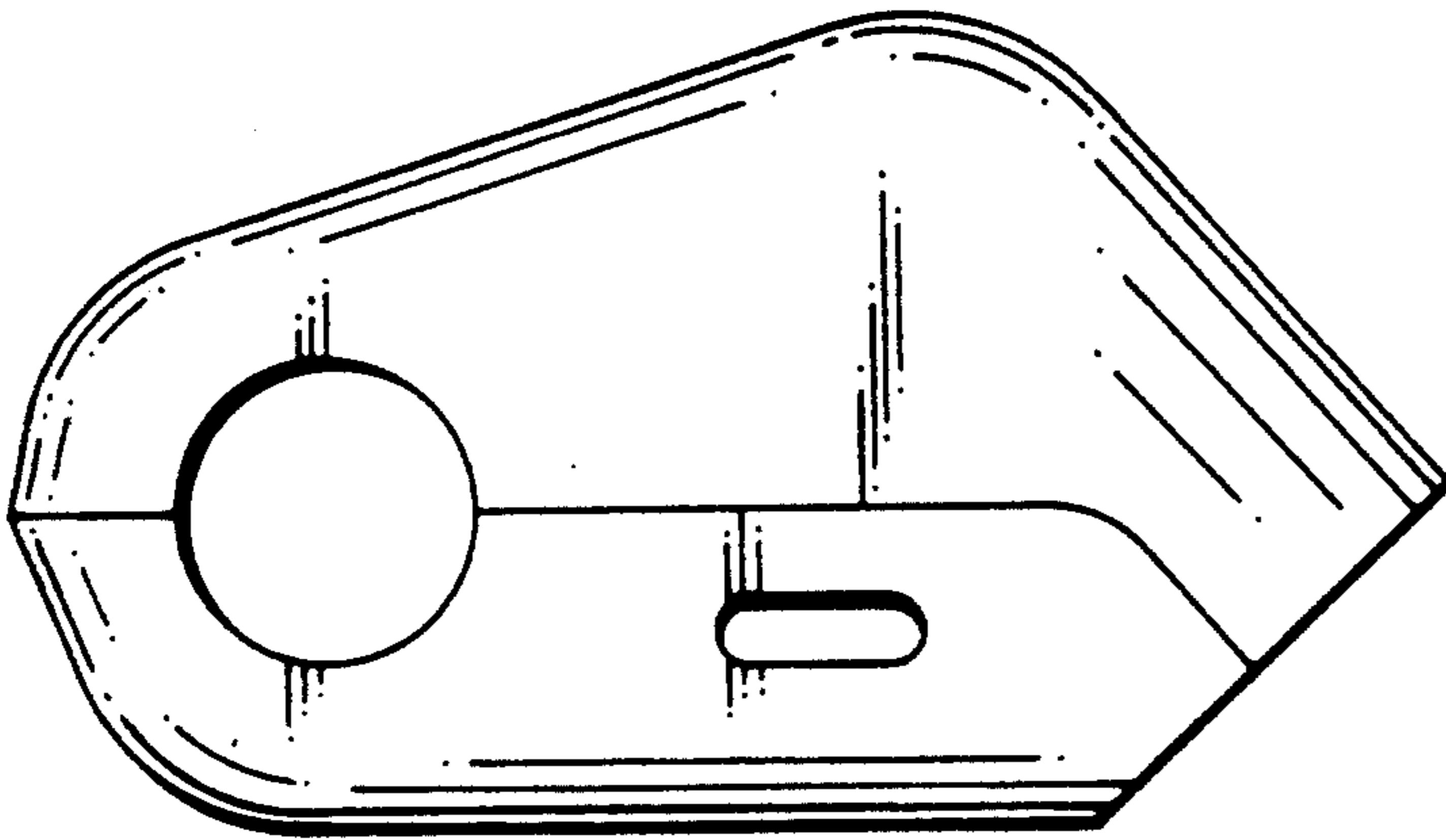


FIG. 4

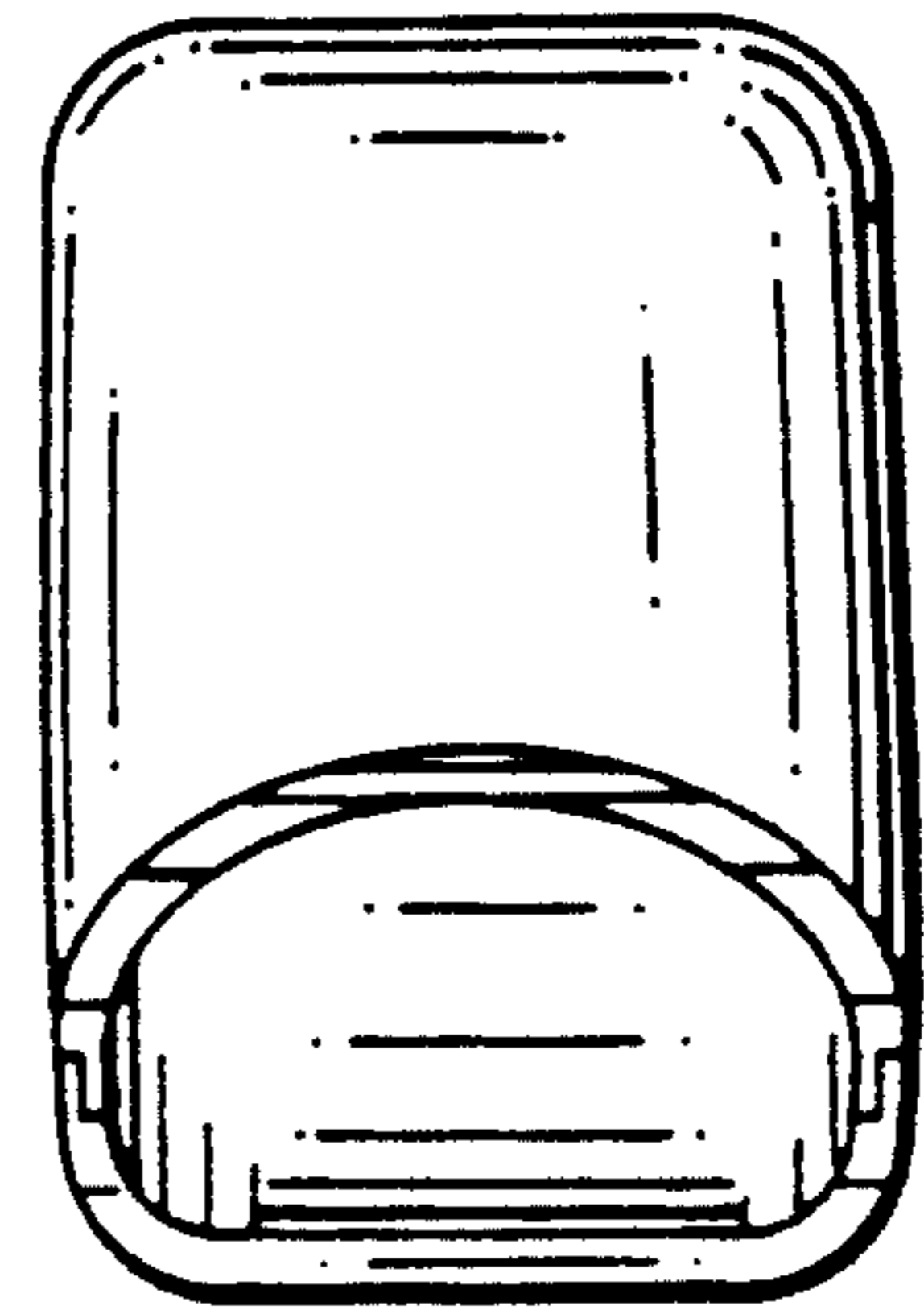


FIG. 3

