



US00D348633S

United States Patent [19]

[11] Patent Number: **Des. 348,633**

Emalfarb et al.

[45] Date of Patent: **** Jul. 12, 1994**

[54] **MAILBOX FLOWER POT HOLDER**

[76] Inventors: **Seymour Emalfarb**, 1585 Saunders Rd., River Woods, Ill. 60015;
Bradley S. Emalfarb, 26529 N. Hwy. 83, Mundelein, Ill. 60060

[**] Term: **14 Years**

[21] Appl. No.: **13,233**

[22] Filed: **Sep. 21, 1993**

[52] U.S. Cl. **D11/156; D6/556**

[58] Field of Search **D6/556, 557, 558, 513; D11/143, 156, 155**

[56] **References Cited**

U.S. PATENT DOCUMENTS

- D. 228,727 10/1973 Harrell .
- D. 231,296 4/1974 Morris .
- D. 259,967 7/1981 Ramsey .
- D. 266,382 10/1982 Hutchinson .
- D. 273,736 5/1984 Barry .
- D. 312,912 12/1990 Klahre D11/155
- D. 313,105 12/1990 Klahre D11/143
- D. 318,160 7/1991 Allen D6/556
- D. 318,352 7/1991 Allen D6/556
- D. 332,418 12/1991 White D11/156
- D. 338,122 8/1993 Emalfarb et al. .
- D. 339,942 10/1993 Emalfarb et al. .
- 760,879 5/1904 Kunzman .
- 1,580,847 4/1926 Moineau .
- 1,957,353 5/1934 Piersall .
- 2,203,632 6/1940 Munsun et al. .
- 2,294,151 8/1942 Wooten, Jr. et al. .

- 2,764,384 9/1956 Kirsch .
- 2,897,976 8/1959 Miller .
- 3,013,758 12/1961 Smith .
- 3,219,302 11/1965 Smith .
- 3,490,726 1/1970 Mills .
- 3,511,461 5/1970 Clark .
- 3,532,318 10/1970 Lloyd .
- 4,011,951 3/1977 Boyer .
- 4,418,496 12/1983 Koistinen .
- 4,418,883 12/1983 Cohen .
- 4,739,582 4/1988 Cullinane .
- 5,118,059 6/1992 Mainer .
- 5,181,621 1/1993 Plaehn .

FOREIGN PATENT DOCUMENTS

- 717987 1/1932 France D11/.
- 68844 6/1958 France .

Primary Examiner—Alan P. Douglas

Assistant Examiner—S. Snapp

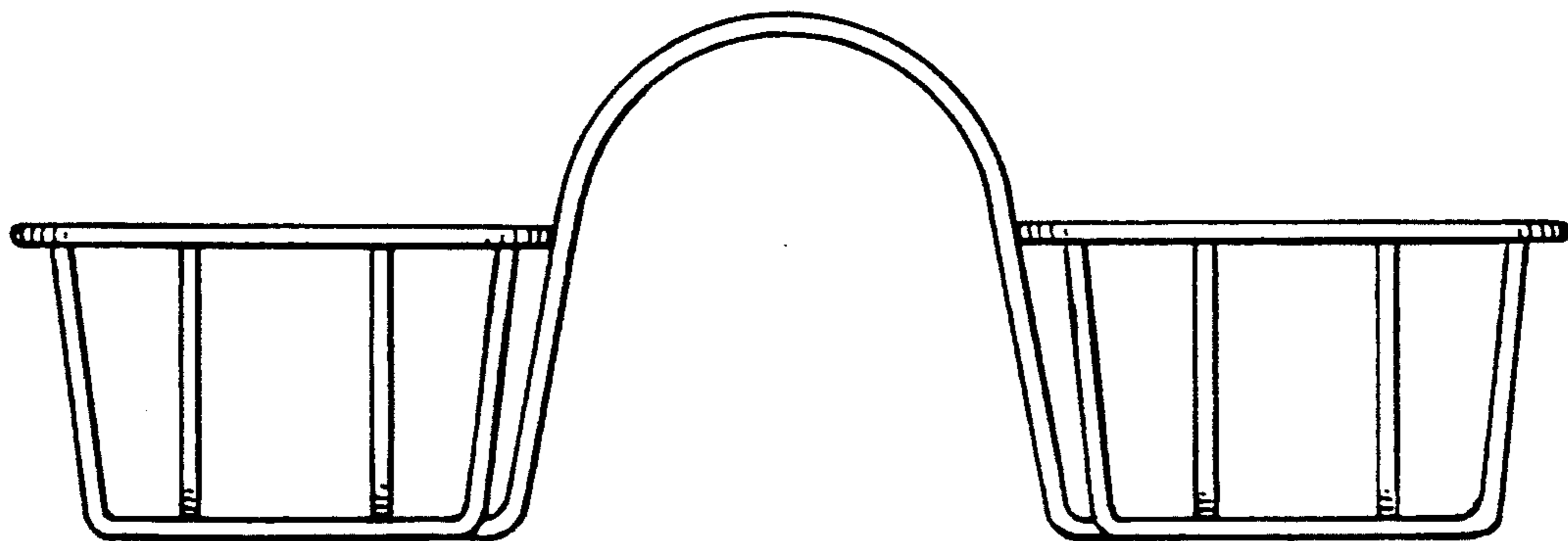
Attorney, Agent, or Firm—Wood, Phillips, VanSanten, Hoffman & Ertel

[57] **CLAIM**

The ornamental design of a mailbox flower pot holder, as shown and described.

DESCRIPTION

FIG. 1 is a front elevation view of a mailbox flower pot holder showing our new design; FIG. 2 is a top plan view thereof; FIG. 3 is a bottom plan view thereof; FIG. 4 is a rear elevation view thereof; FIG. 5 is a right side elevation view thereof; and, FIG. 6 is a left side elevational view thereof.



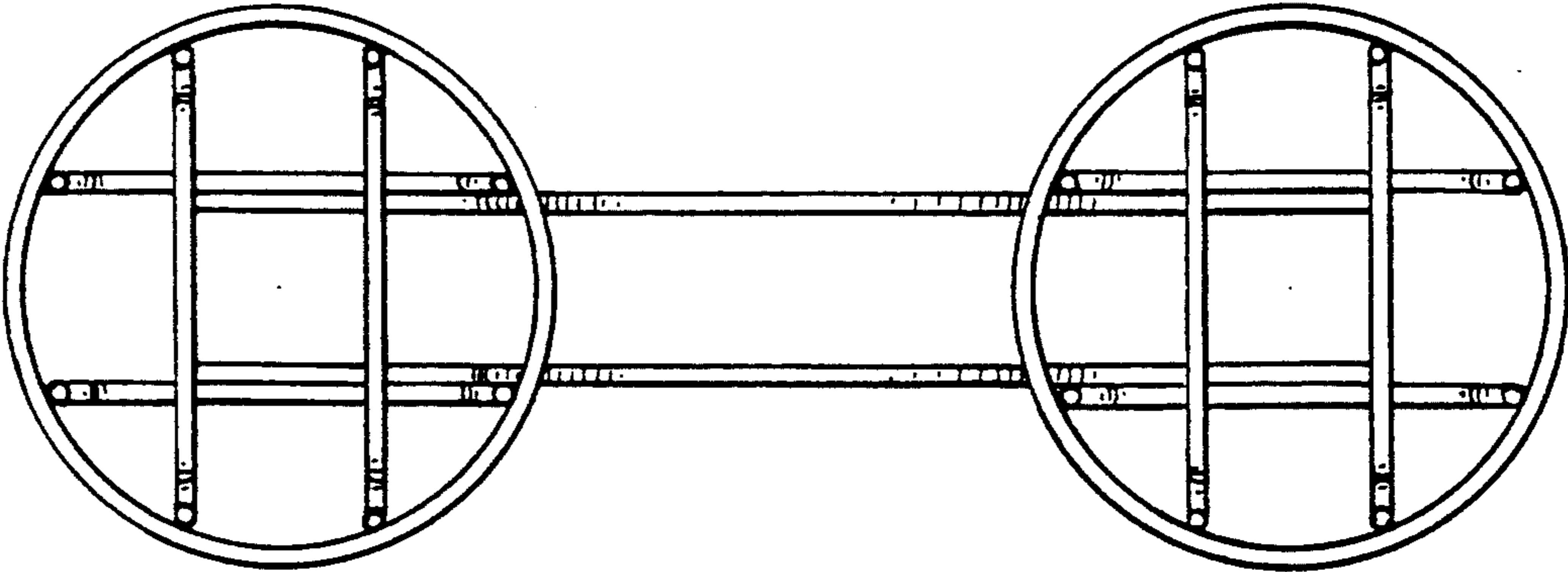


FIG. 2

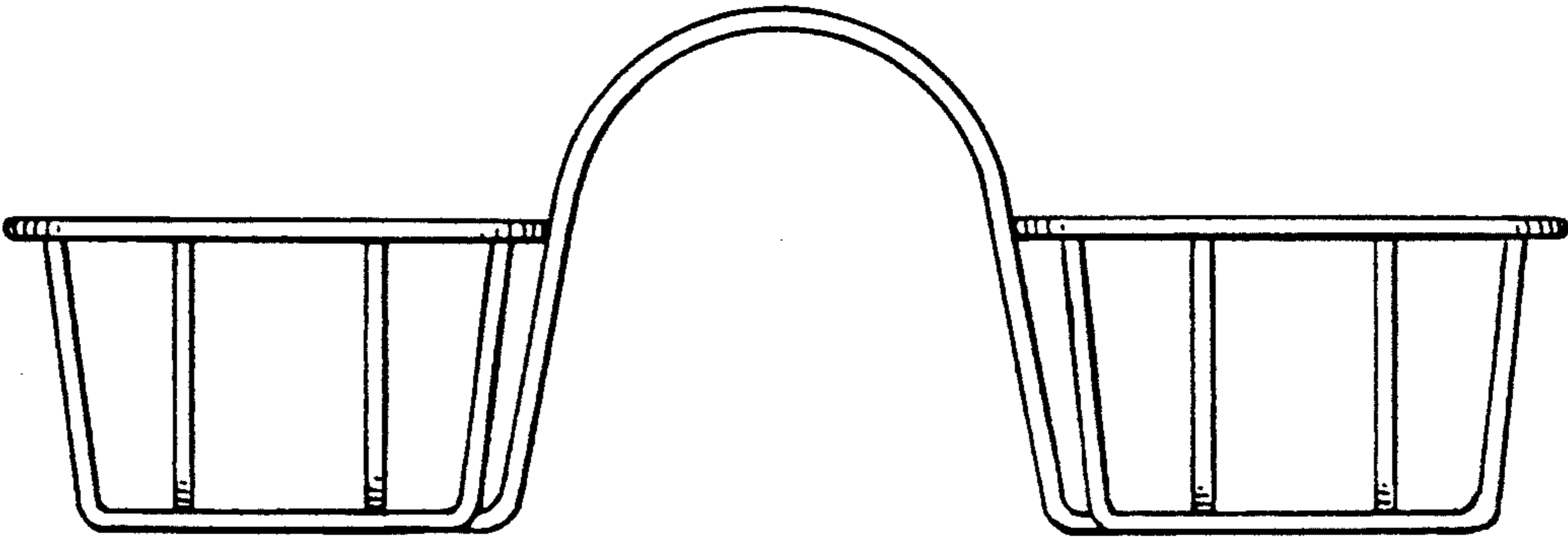


FIG. 1

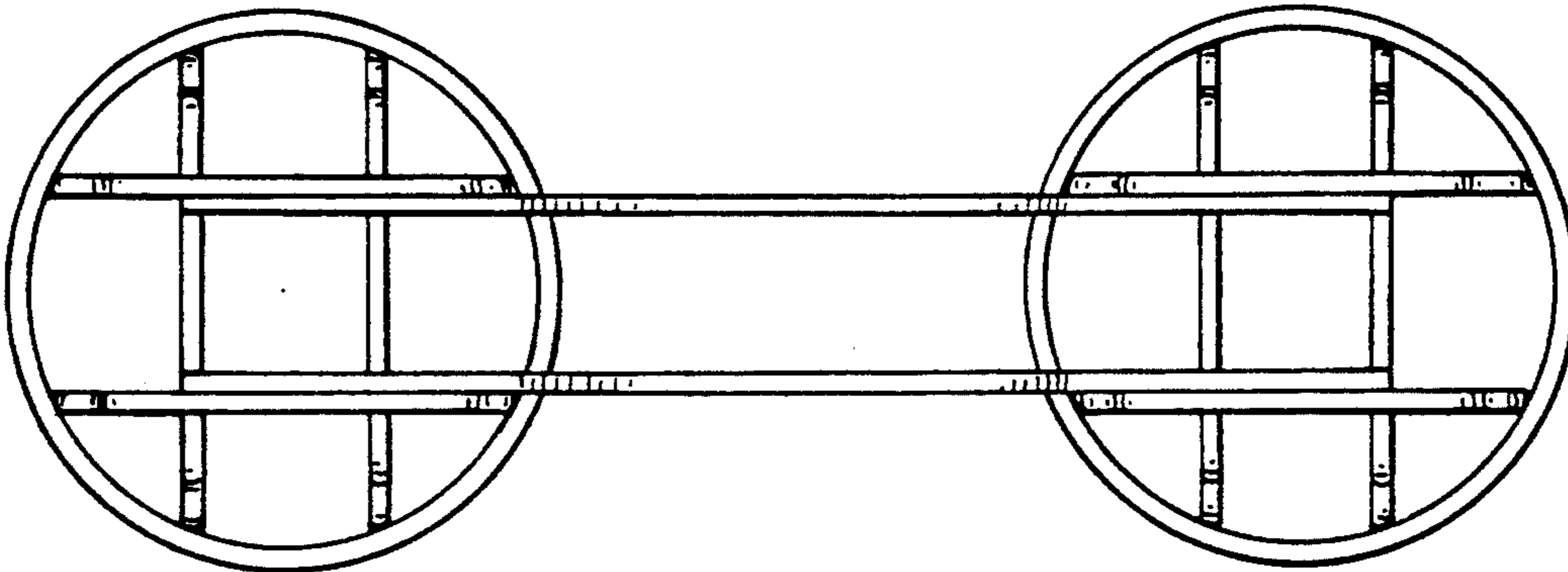


FIG. 3

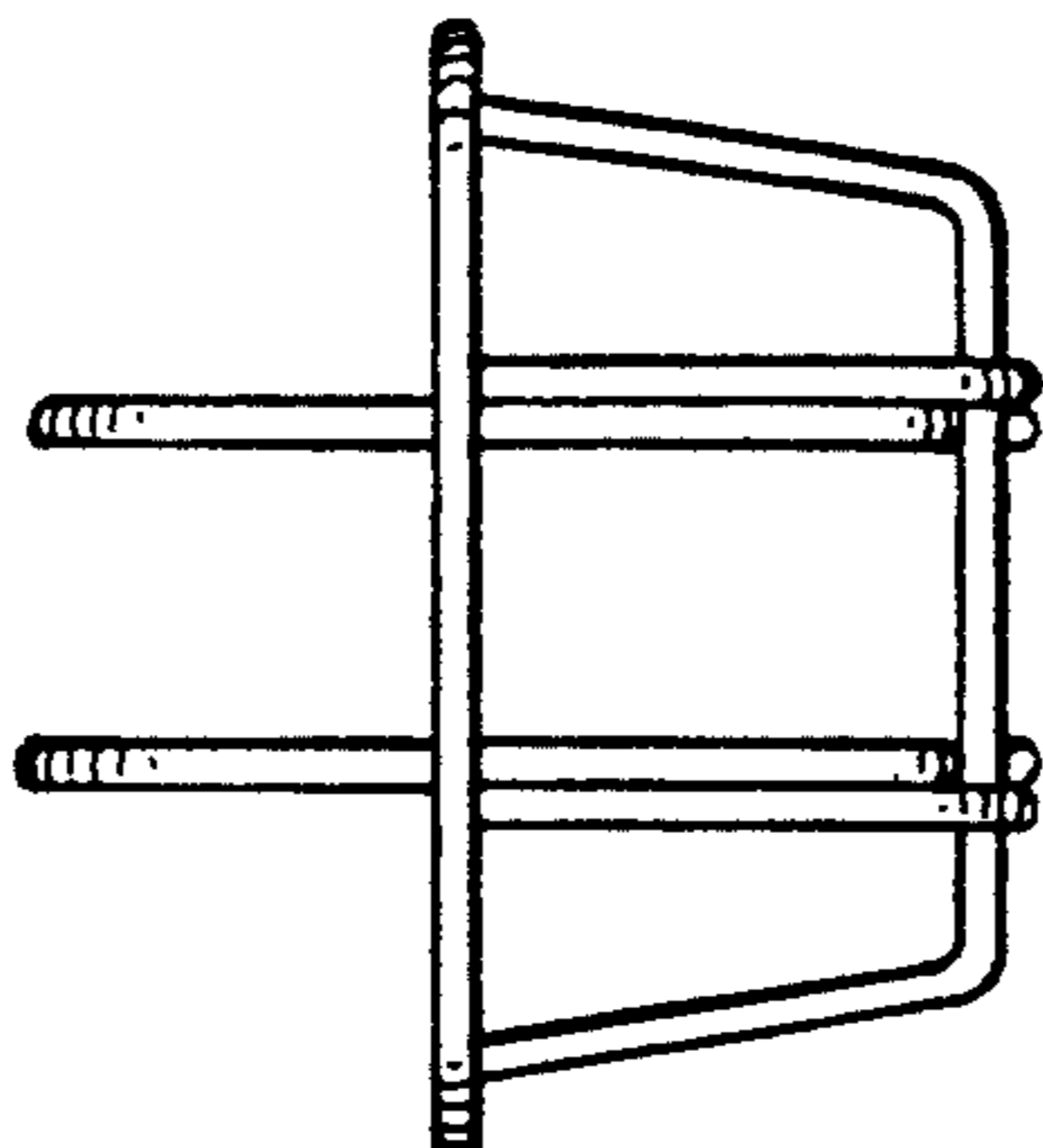


FIG. 6

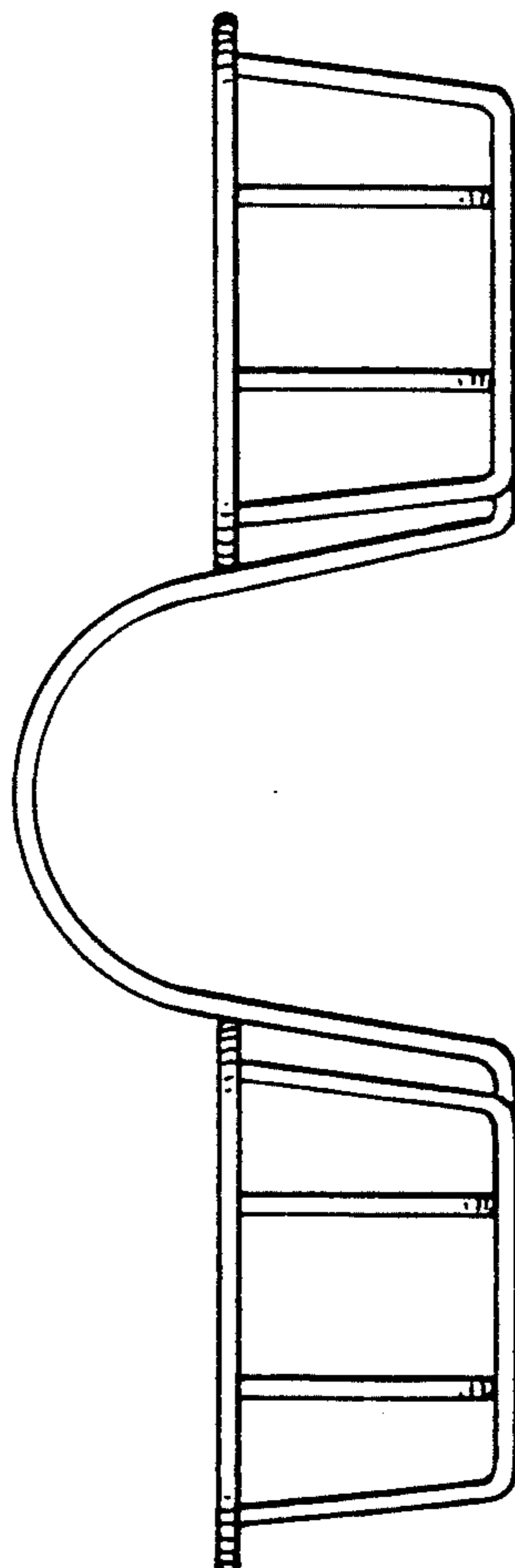


FIG. 4

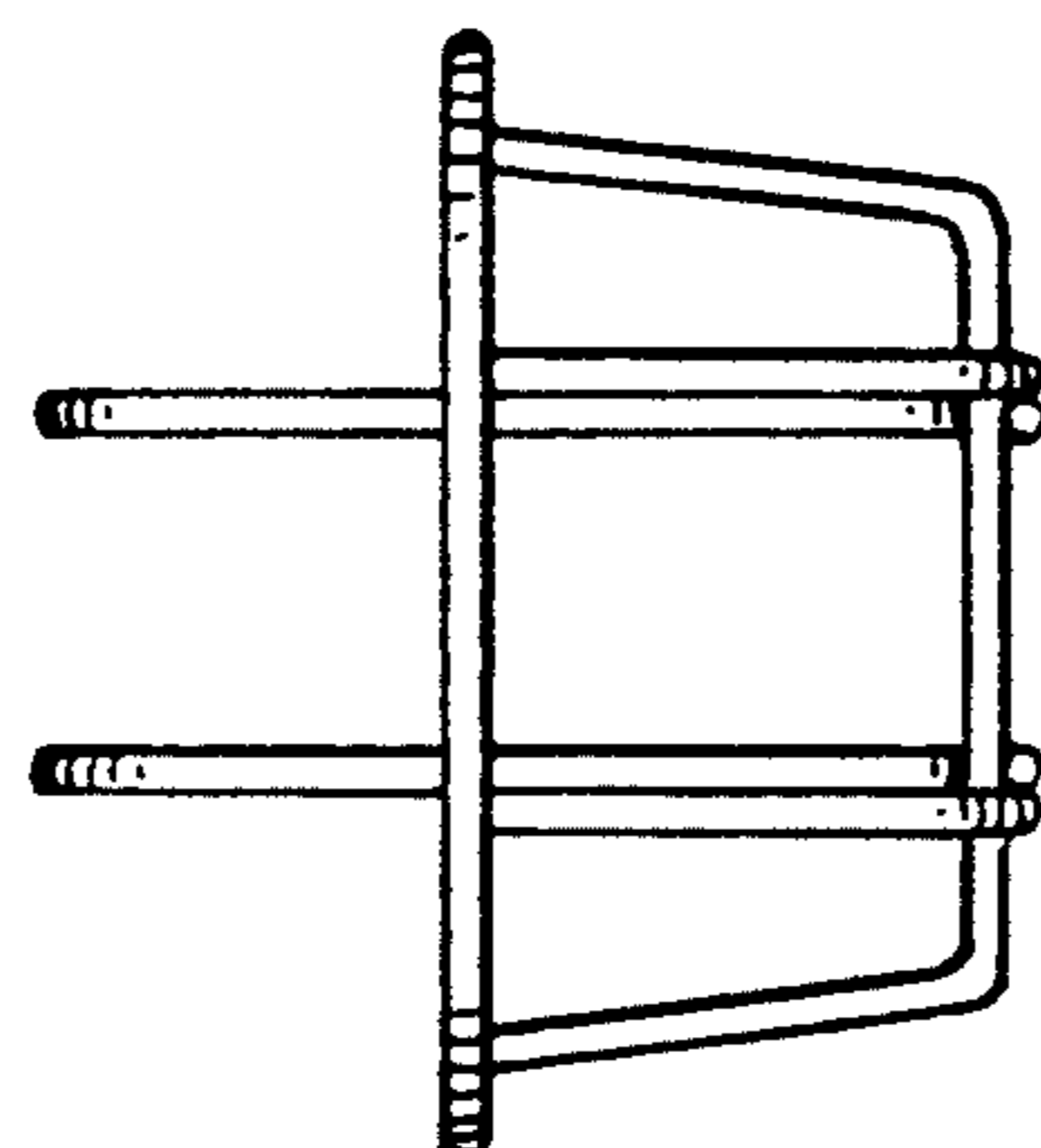


FIG. 5