



US00D348631S

United States Patent [19]

[11] Patent Number: **Des. 348,631**

Hollinger

[45] Date of Patent: **** Jul. 12, 1994**

[54] **PLANT BRACKET WITH WIRE**

[75] Inventor: **Fred Hollinger, Kings Park, N.Y.**

[73] Assignee: **American Tack & Hardware Co.,
Monsey, N.Y.**

[**] Term: **14 Years**

[21] Appl. No.: **9,290**

[22] Filed: **Jun. 9, 1993**

[52] U.S. Cl. **D11/148; D6/556**

[58] Field of Search **D6/553, 556; D8/354;
D11/148**

"The Country Gourmet" Magazine, p. 36 Double Hanging Bracket ad.

Tennessee Fabricating Co. Brochure, 1957, p. 3 brackets ad.

"Popular Mechanics" Magazine, May 1955, Choice of available Brackets ad.

Carlisle Ad, "Houseware Review" Magazine, p. 71, Feb. 1957.

Primary Examiner—Alan P. Douglas

Assistant Examiner—S. Snapp

Attorney, Agent, or Firm—Gottlieb, Rackman & Reisman

[57] CLAIM

The ornamental design for a plant bracket, as shown and described.

[56] References Cited

U.S. PATENT DOCUMENTS

D. 242,051 10/1976 Brown D6/556

D. 247,339 2/1978 Chasen D6/556

D. 251,944 5/1979 Chasen D6/556

OTHER PUBLICATIONS

Garden Club Co. Ad—"Wall Brackets".

Camark Pottery Co. Ad, Jan. 1957, p. 19.

Garden Club Ad, "Planter Pot Holders" p. 4.

DESCRIPTION

FIG. 1 is a side perspective view of a plant bracket showing my new design;

FIG. 2 is a front elevational view of the plant bracket;

FIG. 3 is a rear elevational view of the plant bracket;

FIG. 4 is a left side elevational view of the plant bracket

(the right side being identical thereto);

FIG. 5 is a top plan view of the plant bracket; and,

FIG. 6 is a bottom plan view of the plant bracket.

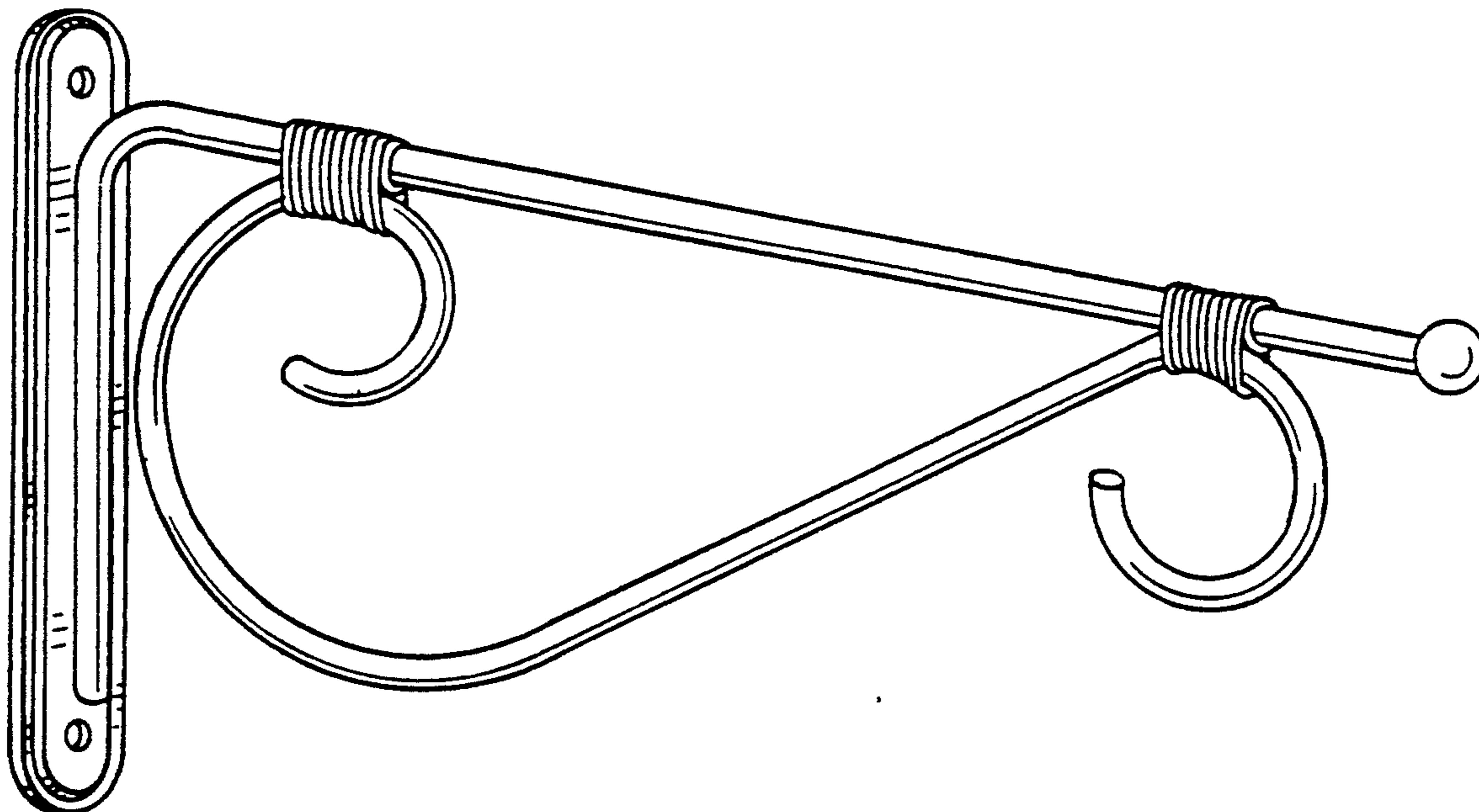


FIG. 3

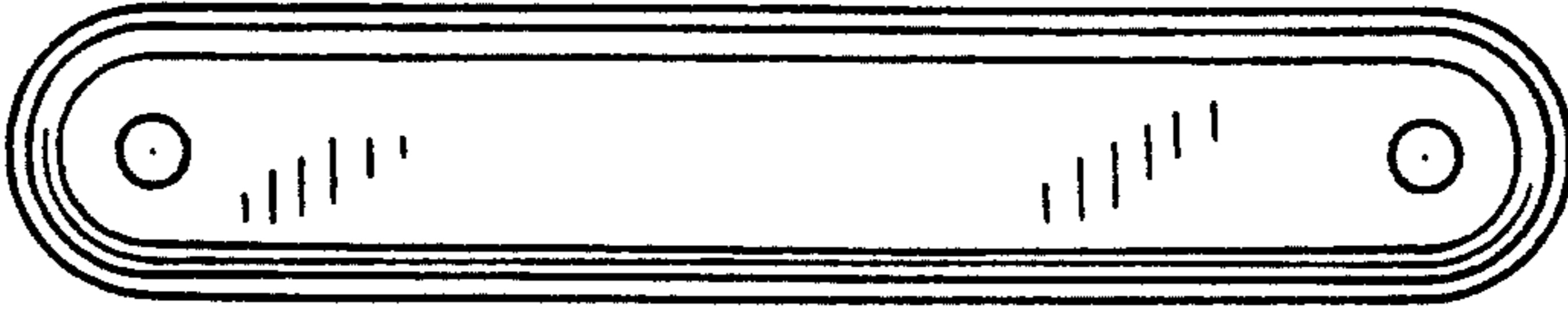


FIG. 1

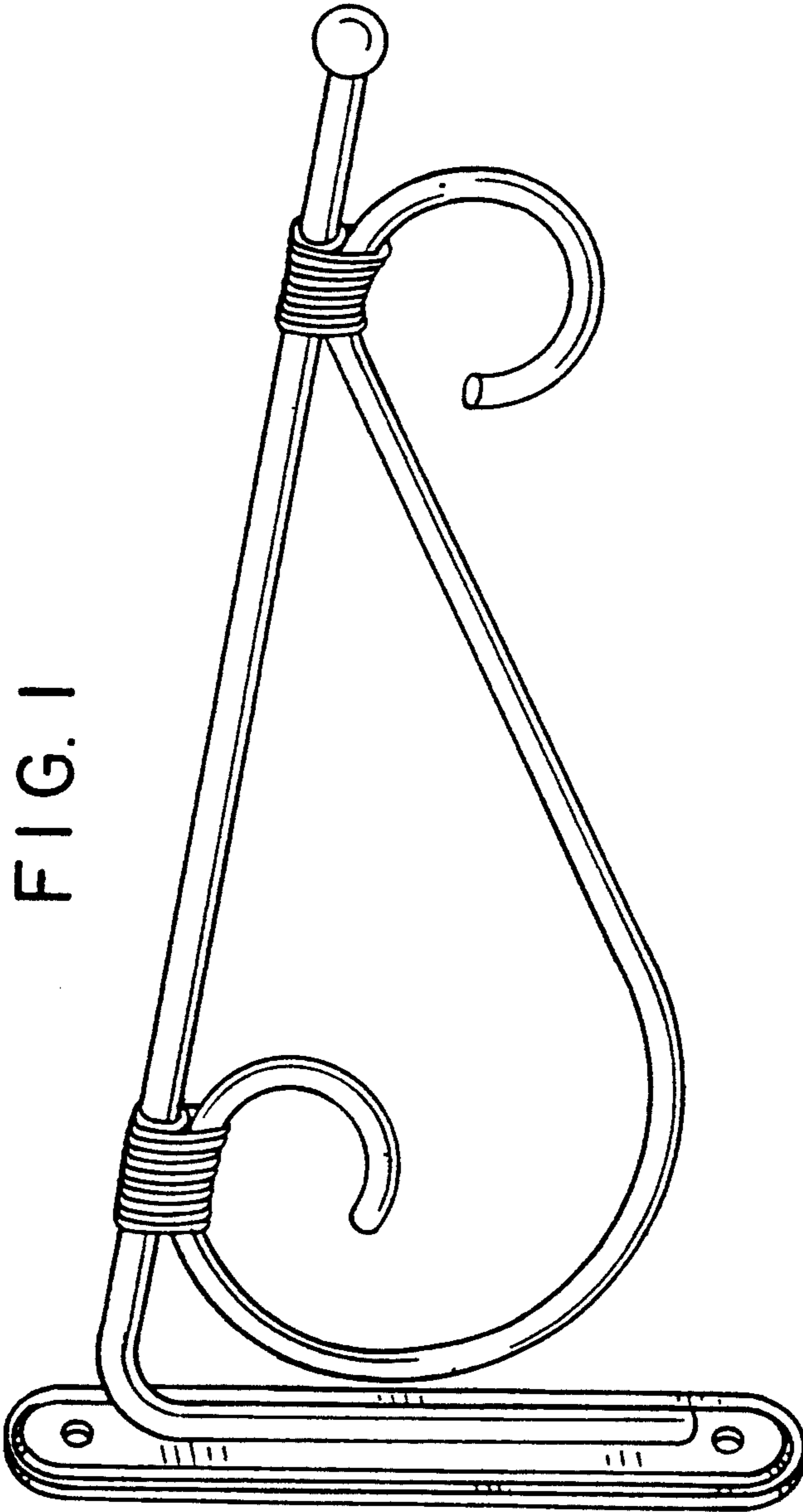


FIG. 2



