



US00D348630S

United States Patent [19]
Hollinger

[11] **Patent Number: Des. 348,630**
[45] **Date of Patent: ** Jul. 12, 1994**

[54] **PLANT BRACKET WITH BALLS**

[75] **Inventor: Fred Hollinger, Kings Park, N.Y.**

[73] **Assignee: American Tack & Hardware Co.,
Monsey, N.Y.**

[**] **Term: 14 Years**

[21] **Appl. No.: 9,275**

[22] **Filed: Jun. 9, 1993**

[52] **U.S. Cl. D11/148; D6/556**

[58] **Field of Search D6/553, 556; D8/354;
D11/148**

[56] **References Cited**
PUBLICATIONS

Tennessee Fabricating Co. Brochure, 1957, p. 3 brackets ad.
"Popular Mechanics" Magazine, May 1955, Choice of Available Brackets Ad.

Carlisle Ad., p. 71, Feb. 1957, "Houseware Review" Magazine.

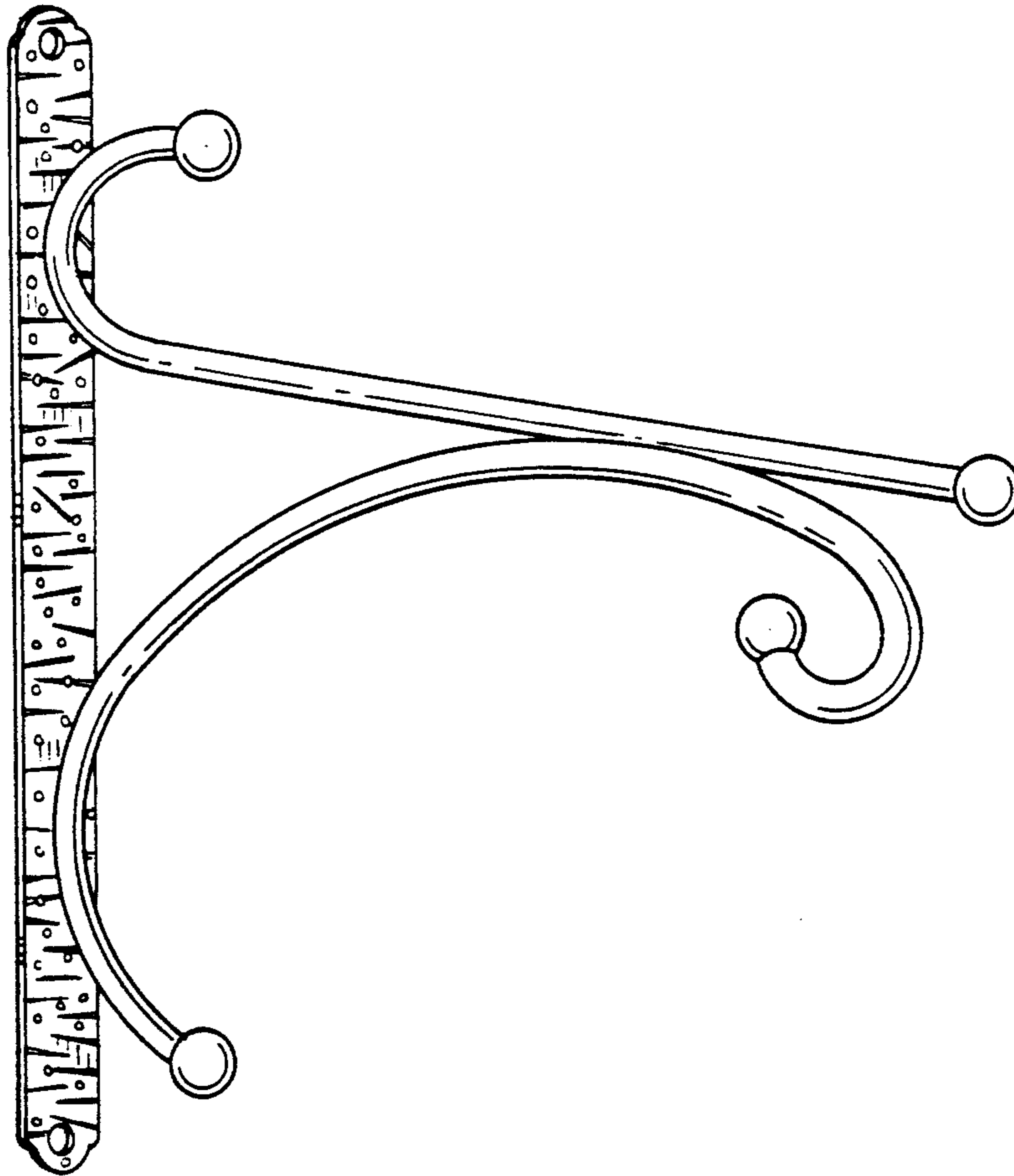
Primary Examiner—Alan P. Douglas
Assistant Examiner—S. Snapp
Attorney, Agent, or Firm—Gottlieb, Rackman & Reisman

[57] **CLAIM**

The ornamental design for a plant bracket with balls, as shown and described.

DESCRIPTION

FIG. 1 is a side perspective view of a plant bracket showing my new design;
FIG. 2 is a front elevational view of the plant bracket;
FIG. 3 is a rear elevational view of the plant bracket;
FIG. 4 is a left side elevational view of the plant bracket (the left side being identical thereto);
FIG. 5 is a top plan view of the plant bracket;
FIG. 6 is a bottom plan view of the plant bracket; and,
FIG. 7 is a sectional view, illustrating the surface texture of the base plate enlarged in scale, taken along the line 7—7 of FIG. 2.



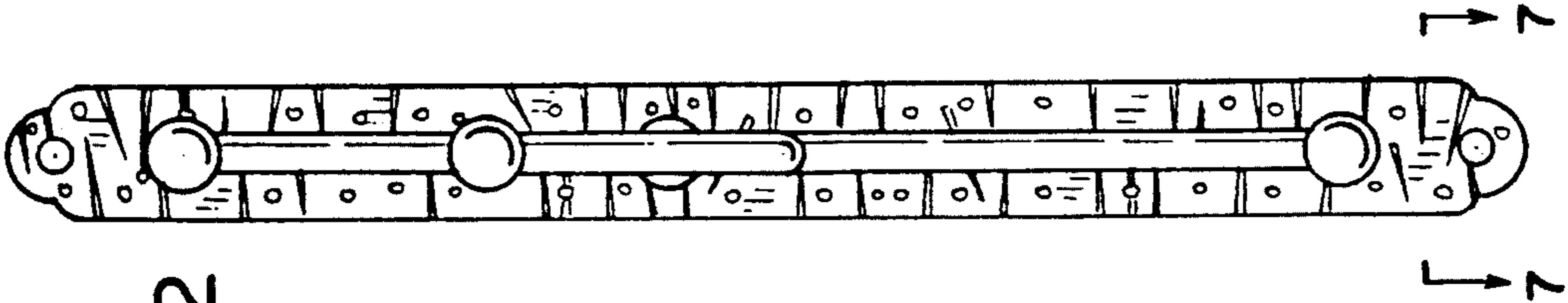


FIG. 2

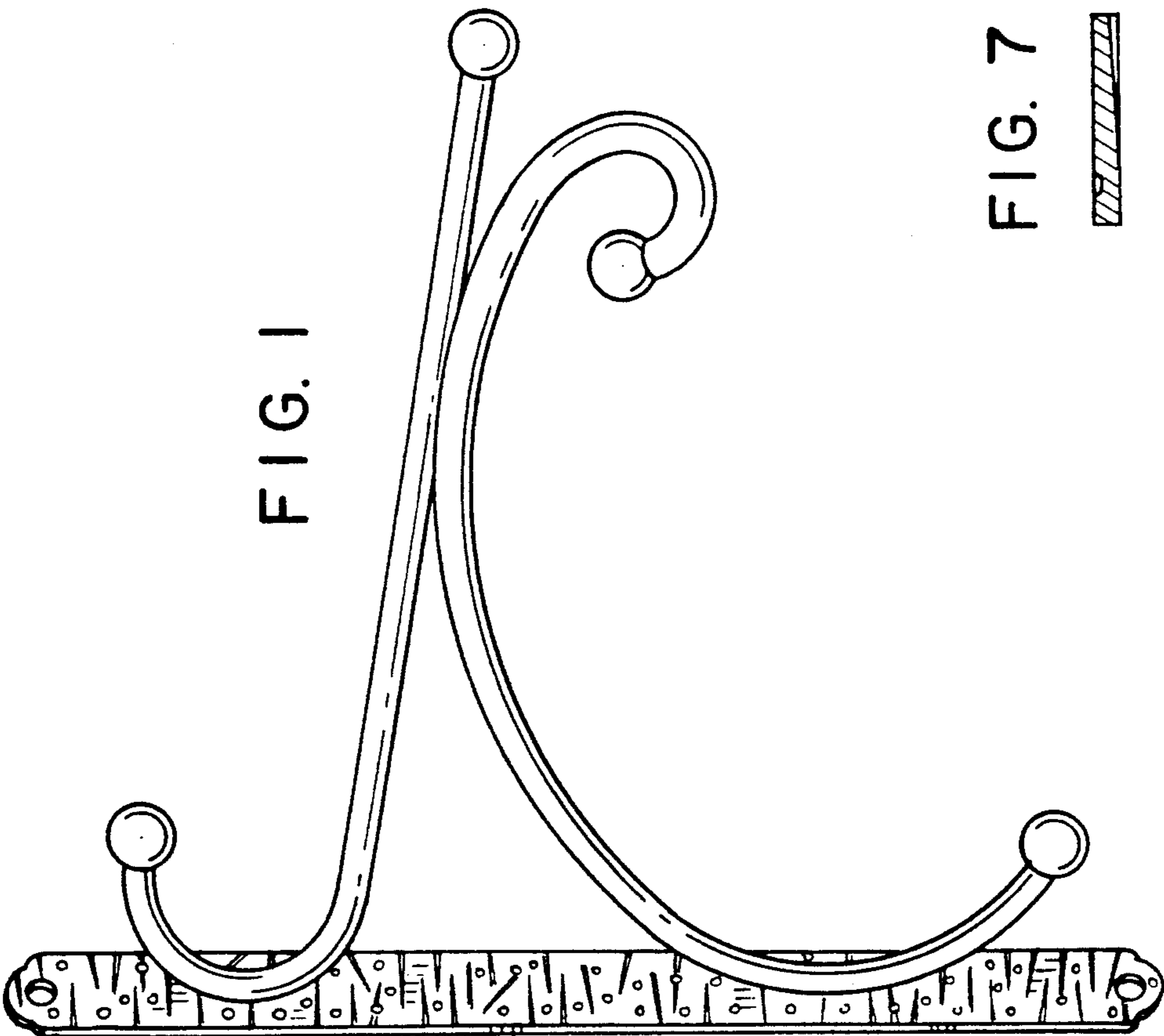


FIG. 1

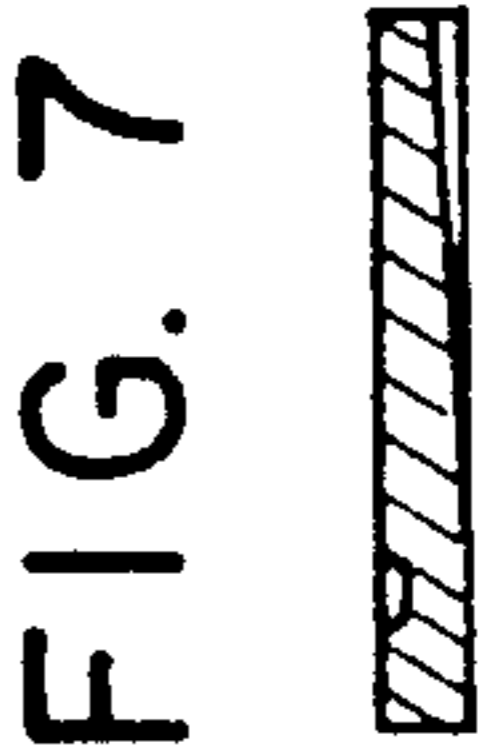


FIG. 7



FIG. 3

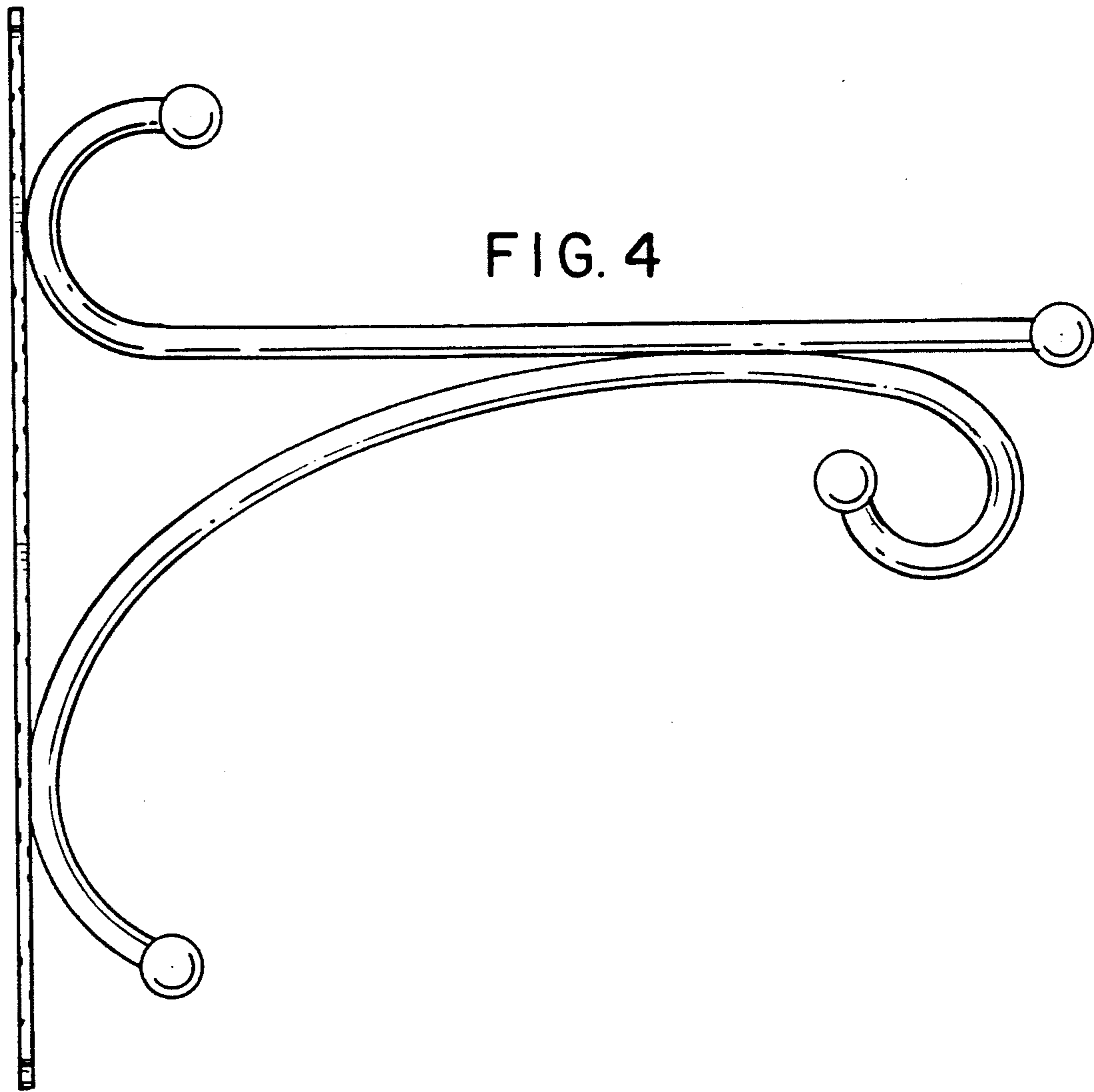


FIG. 5

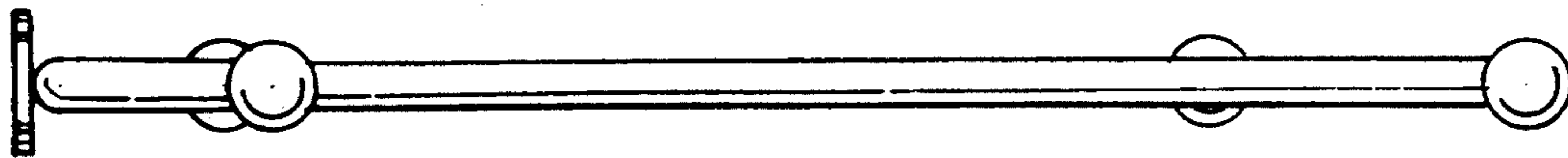


FIG. 6

