



US00D348624S

United States Patent [19]

[11] Patent Number: **Des. 348,624**

Russell

[45] Date of Patent: **** Jul. 12, 1994**

[54] **LOCATION PARKING LIGHT FOR VEHICLES**

[76] Inventor: **David Russell**, 37070 Garvin, Mt. Clemens, Mich. 48043

[**] Term: **14 Years**

[21] Appl. No.: **873,047**

[22] Filed: **Apr. 24, 1992**

[52] U.S. Cl. **D10/114**

[58] Field of Search 116/28 R, 35 R, 62.3, 116/62.4, 28 A; D10/114, 115, 104, 110, 111, 121

[56] **References Cited**

U.S. PATENT DOCUMENTS

- D. 328,442 8/1992 Sloan D10/114
- 4,103,284 7/1978 Blake .
- 4,260,980 4/1981 Bates .

4,887,066 12/1989 Marek .

Primary Examiner—Wallace R. Burke

Assistant Examiner—Marcus Jackson

Attorney, Agent, or Firm—Terry M. Gernstein

[57] **CLAIM**

The ornamental design for a location parking light for vehicles, as shown and described.

DESCRIPTION

FIG. 1 is a perspective view of the location parking light for vehicles embodying the design of the present invention;

FIG. 2 is a front elevational view thereof;

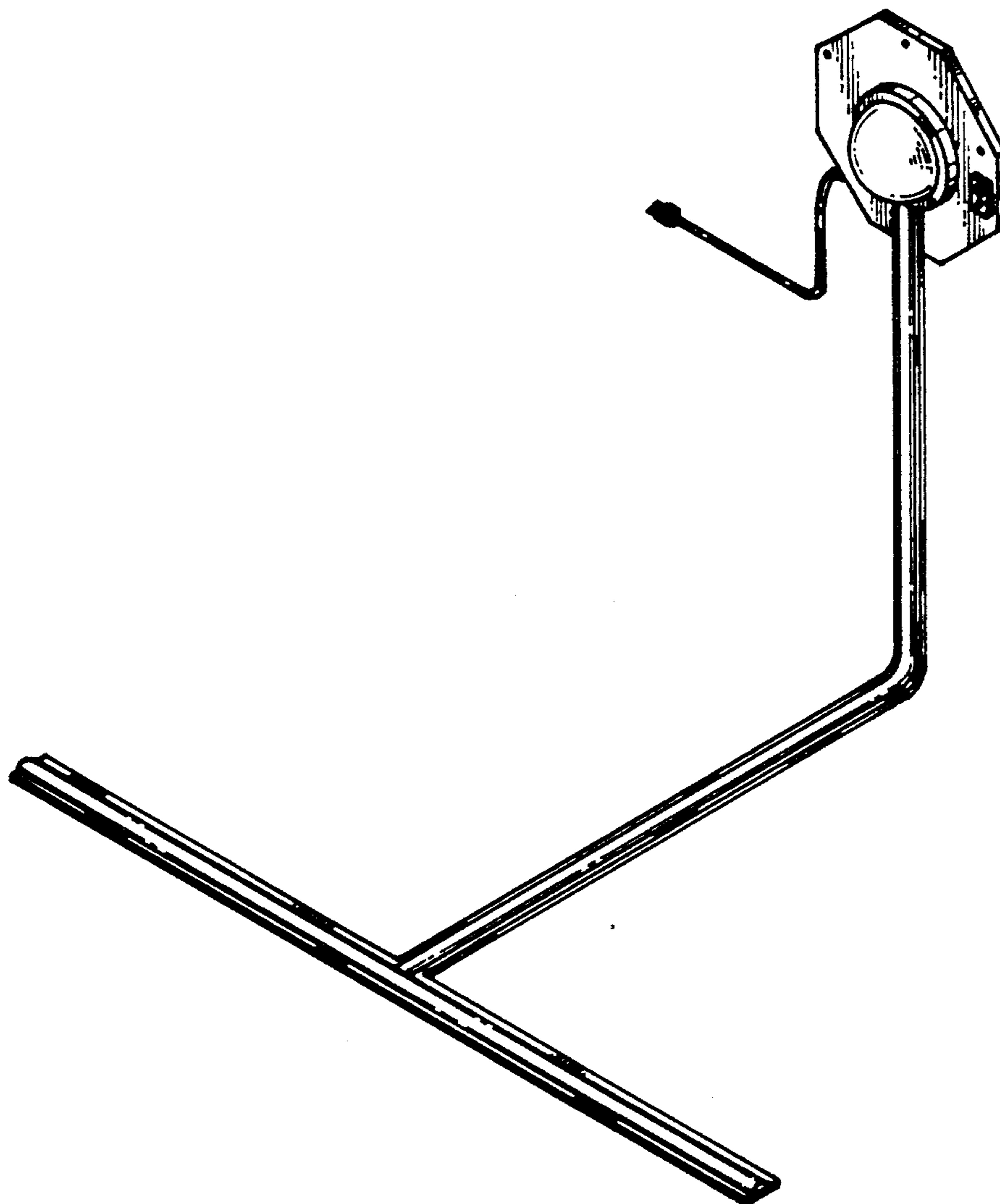
FIG. 3 is a rear elevational view thereof;

FIG. 4 is a side elevational view thereof;

FIG. 5 is a side elevational view thereof;

FIG. 6 is a top plan view thereof; and,

FIG. 7 is a bottom view thereof.



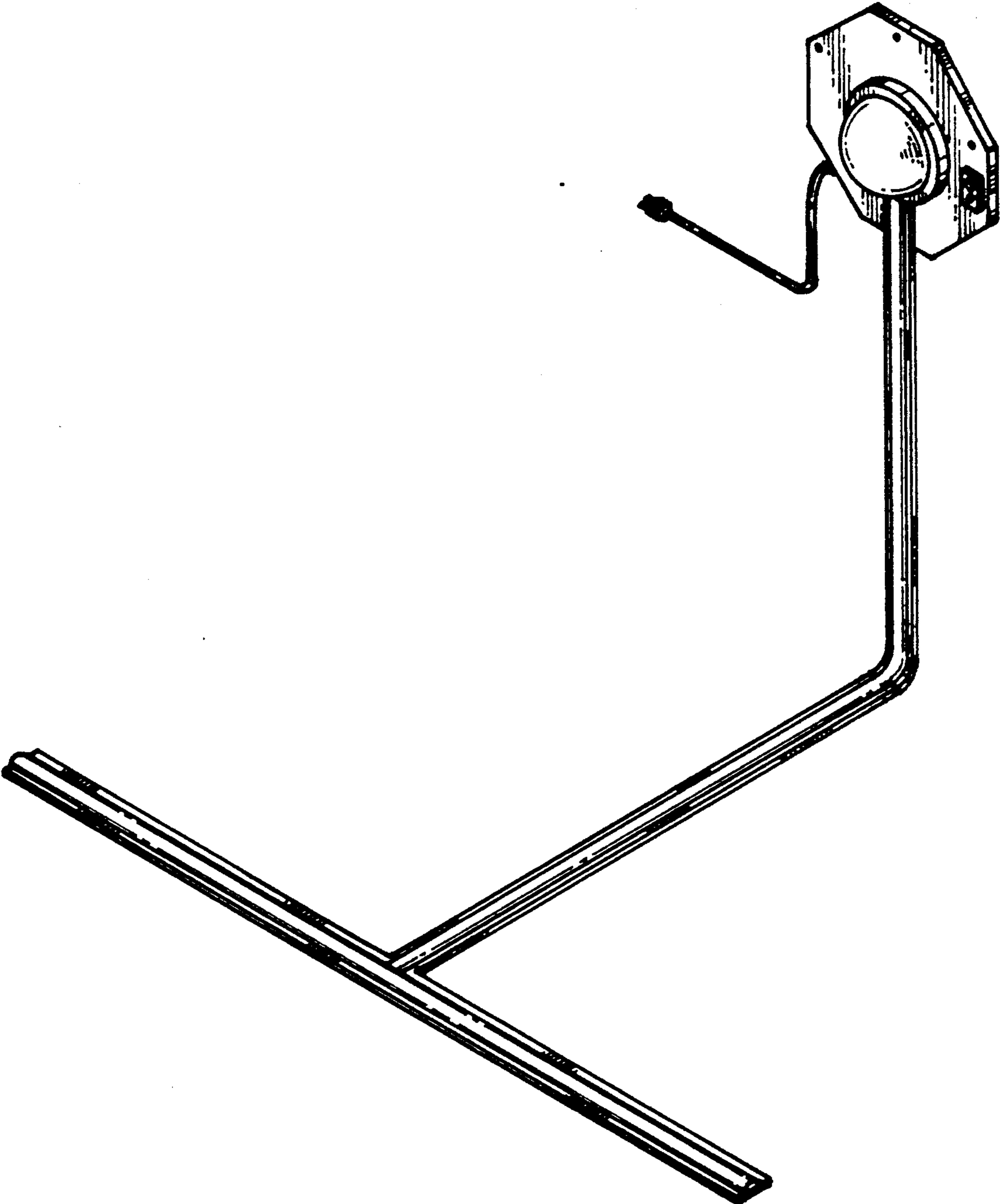


FIG.1

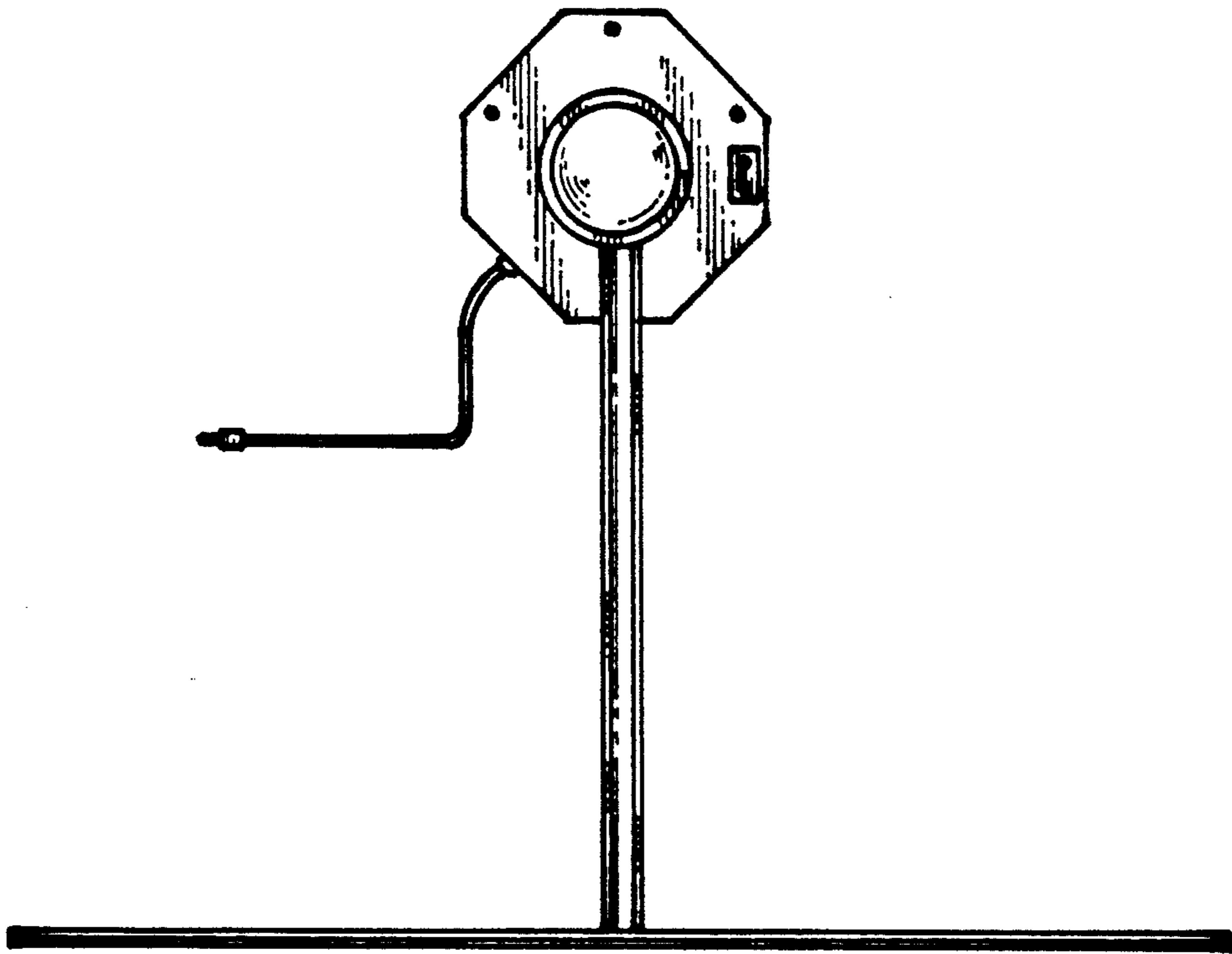


FIG. 2

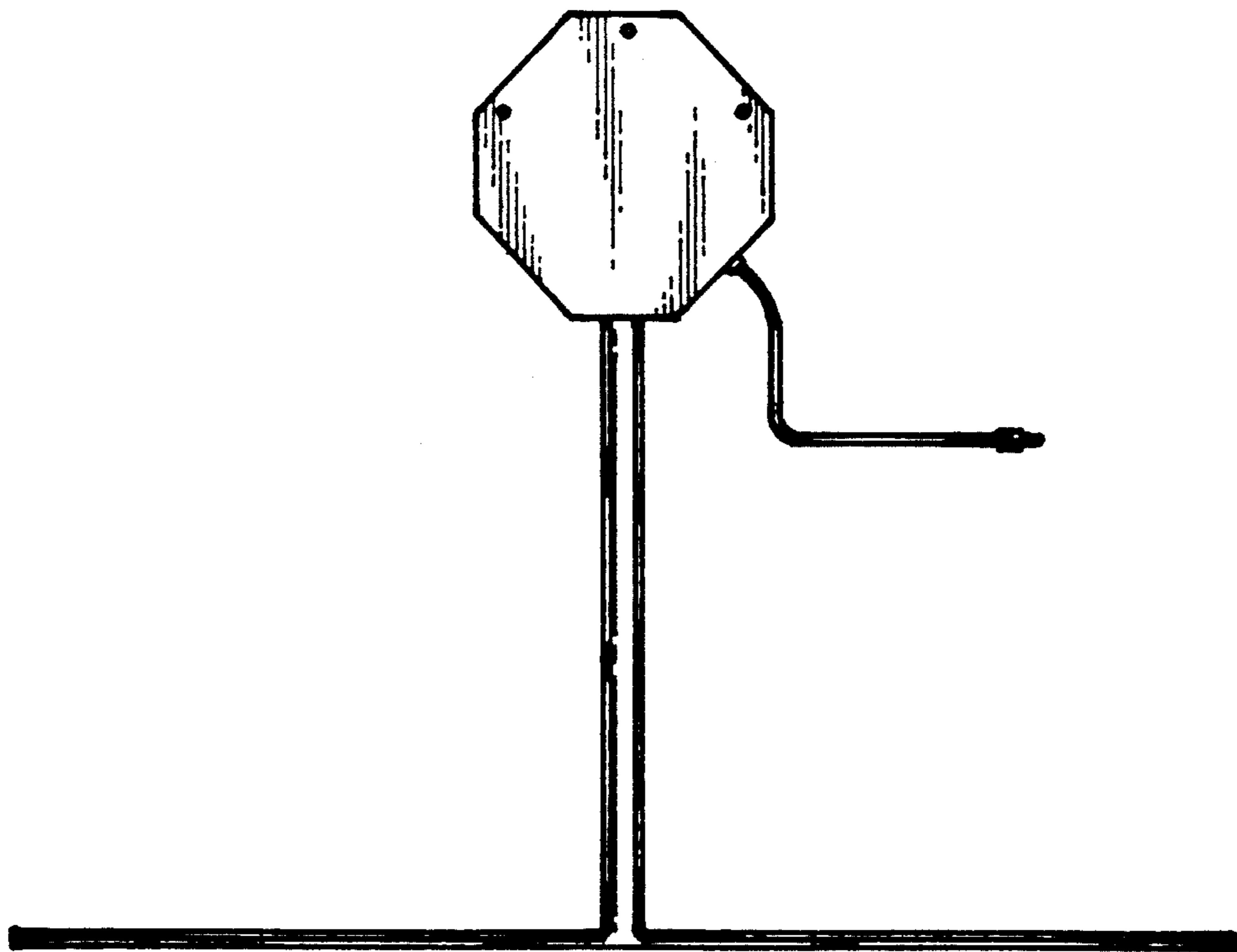


FIG. 3

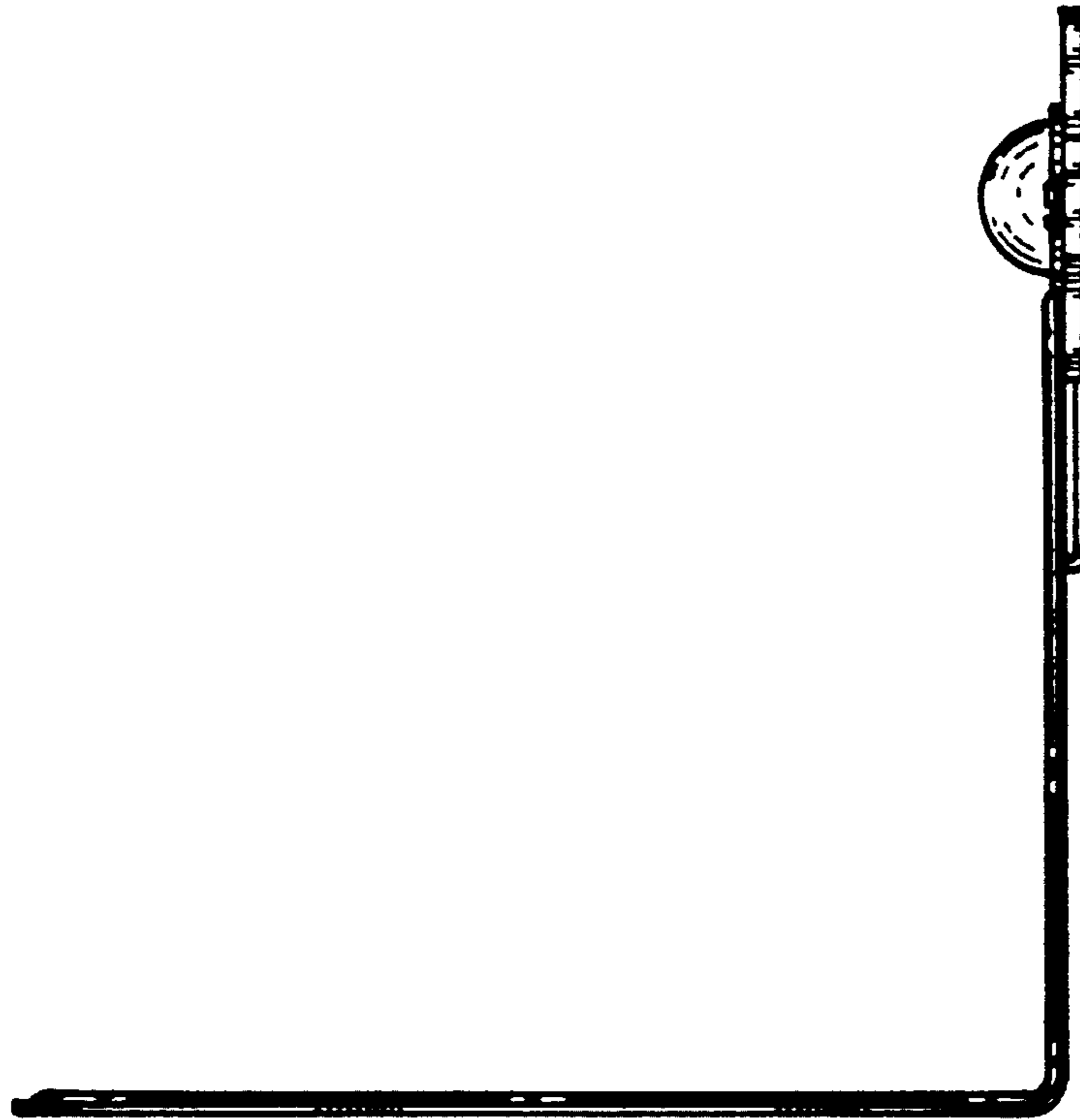


FIG. 5

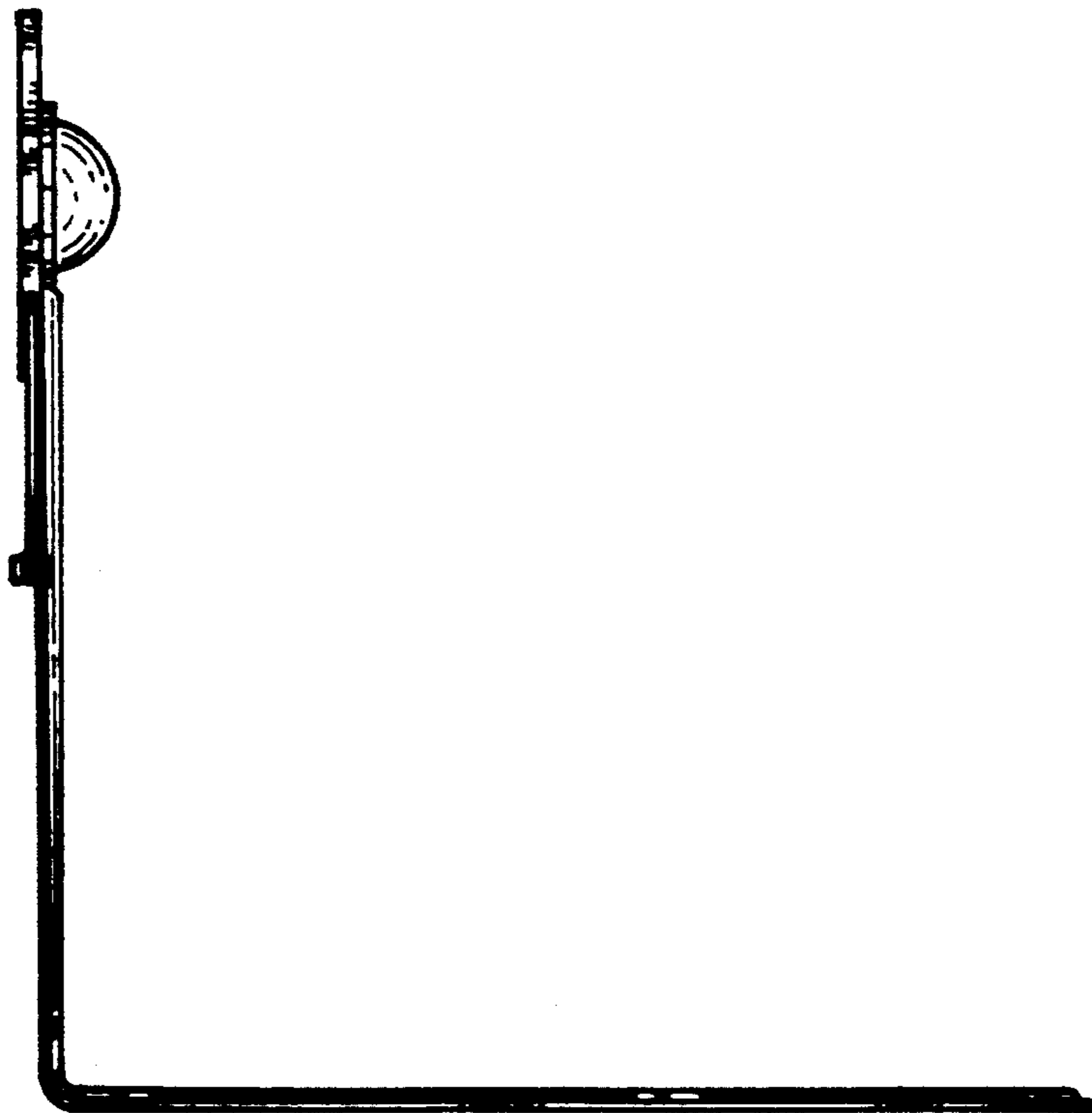


FIG. 4

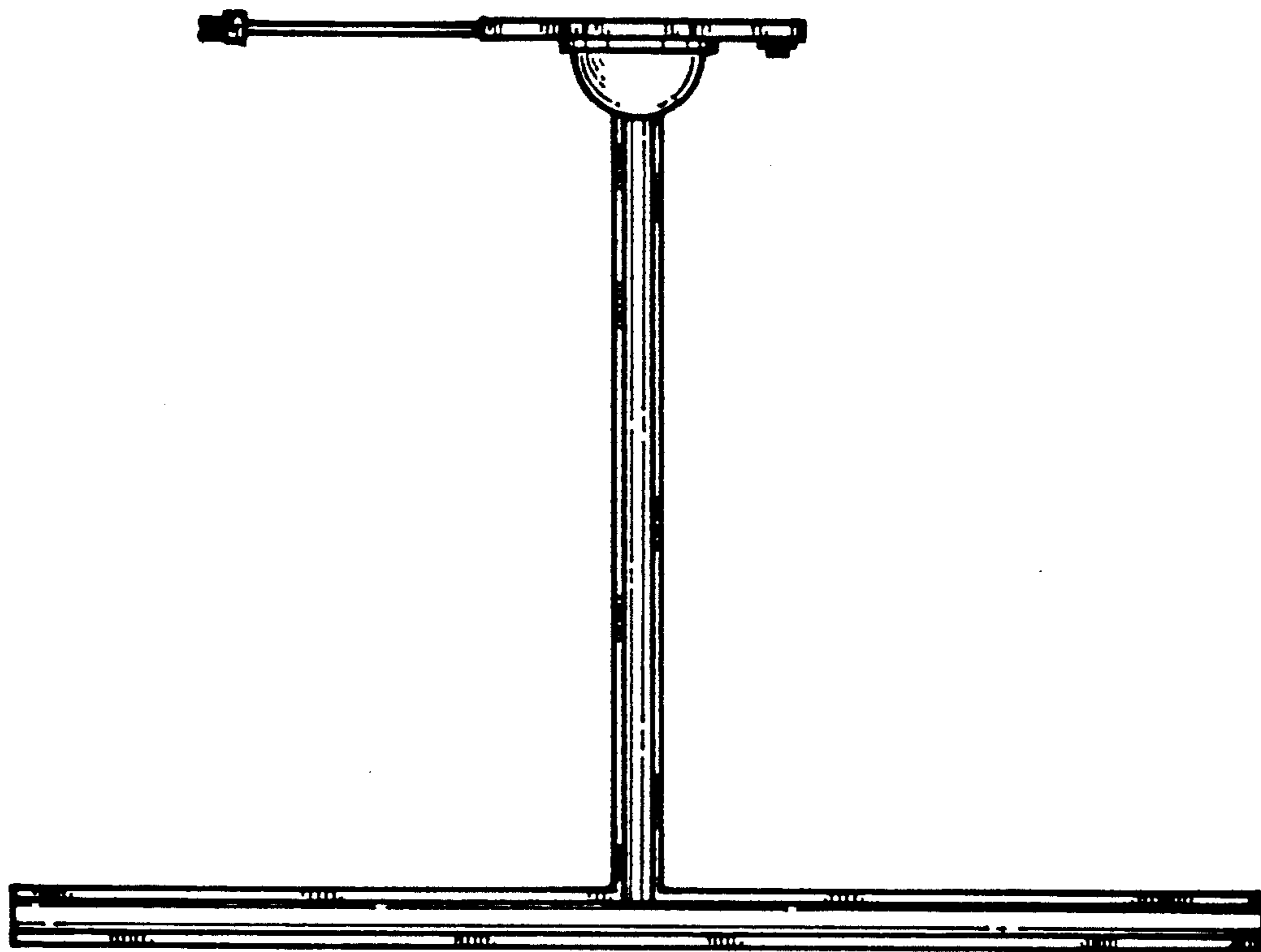


FIG. 6

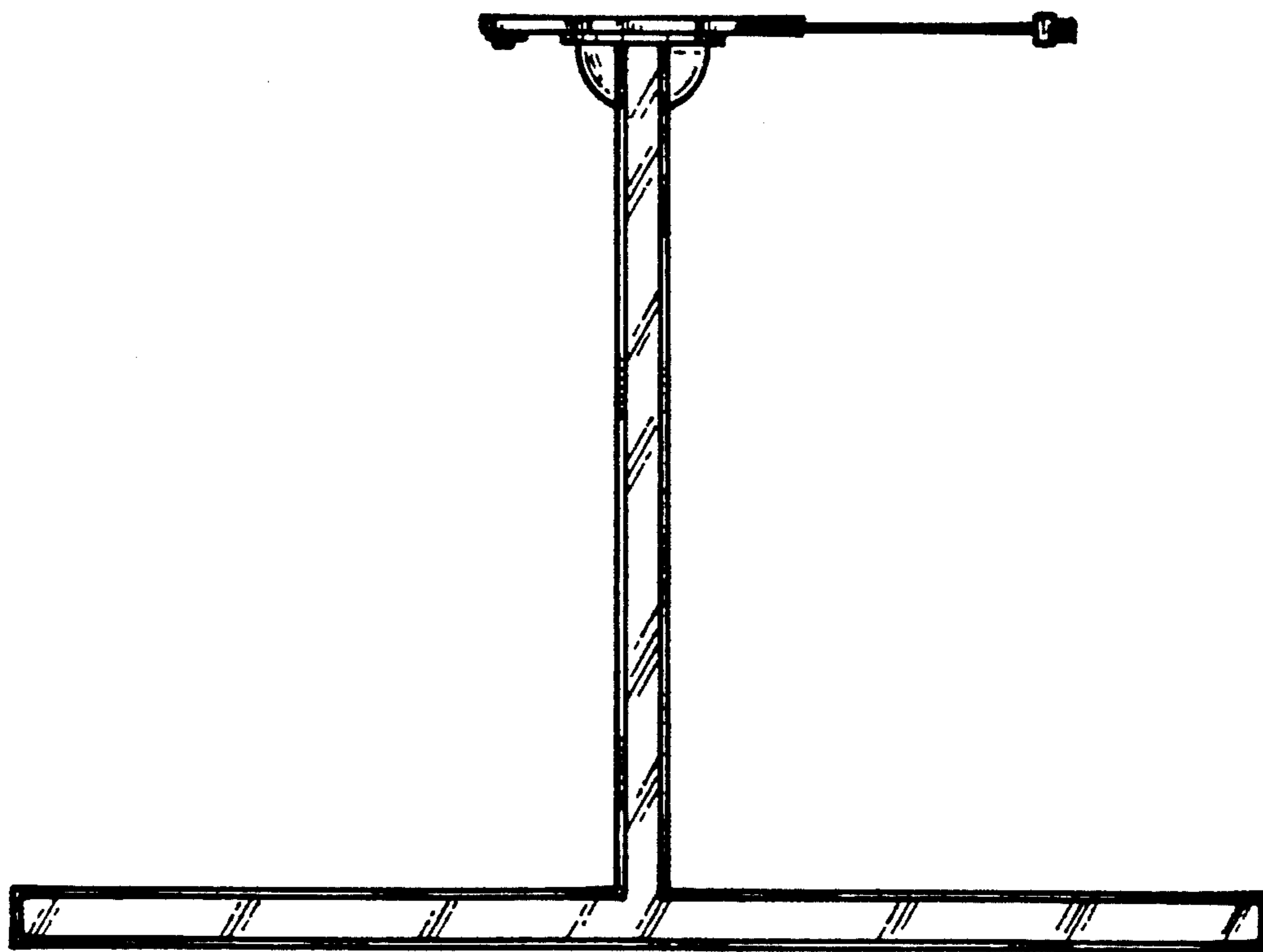


FIG. 7