



US00D348621S

United States Patent [19]
Blake

[11] **Patent Number: Des. 348,621**
[45] **Date of Patent: ** Jul. 12, 1994**

[54] **SENSOR HOUSING FOR ACTUATING STREET LAMPS**

3,274,382 9/1966 Fattori 362/186
4,428,034 1/1984 Seller 362/186
5,103,383 4/1992 Mayhew 362/158

[76] **Inventor: Frederick H. Blake, 3103 149th St. SE., Mill Creek, Wash. 98012**

Primary Examiner—Wallace R. Burke
Assistant Examiner—Marcus Jackson
Attorney, Agent, or Firm—Bruce A. Kaser

[**] **Term: 14 Years**

[21] **Appl. No.: 851,769**

[57] **CLAIM**

[22] **Filed: Mar. 16, 1992**

The ornamental design for a sensor housing for actuating street lamps, as shown and described.

[52] **U.S. Cl. D10/104**

[58] **Field of Search** 362/1, 2, 3, 4, 6, 158,
362/186; 340/593, 594, 595, 619, 620, 621, 622;
D10/104, 106, 114, 115

DESCRIPTION

[56] **References Cited**

U.S. PATENT DOCUMENTS

2,224,742 12/1940 Muldoon 362/186

FIG. 1 is an isometric view of the sensor housing for actuating street lamps;
FIG. 2 is a first side view thereof;
FIG. 3 is a second side view thereof;
FIG. 4 is a top plan view thereof; and,
FIG. 5 is a bottom plan view thereof.

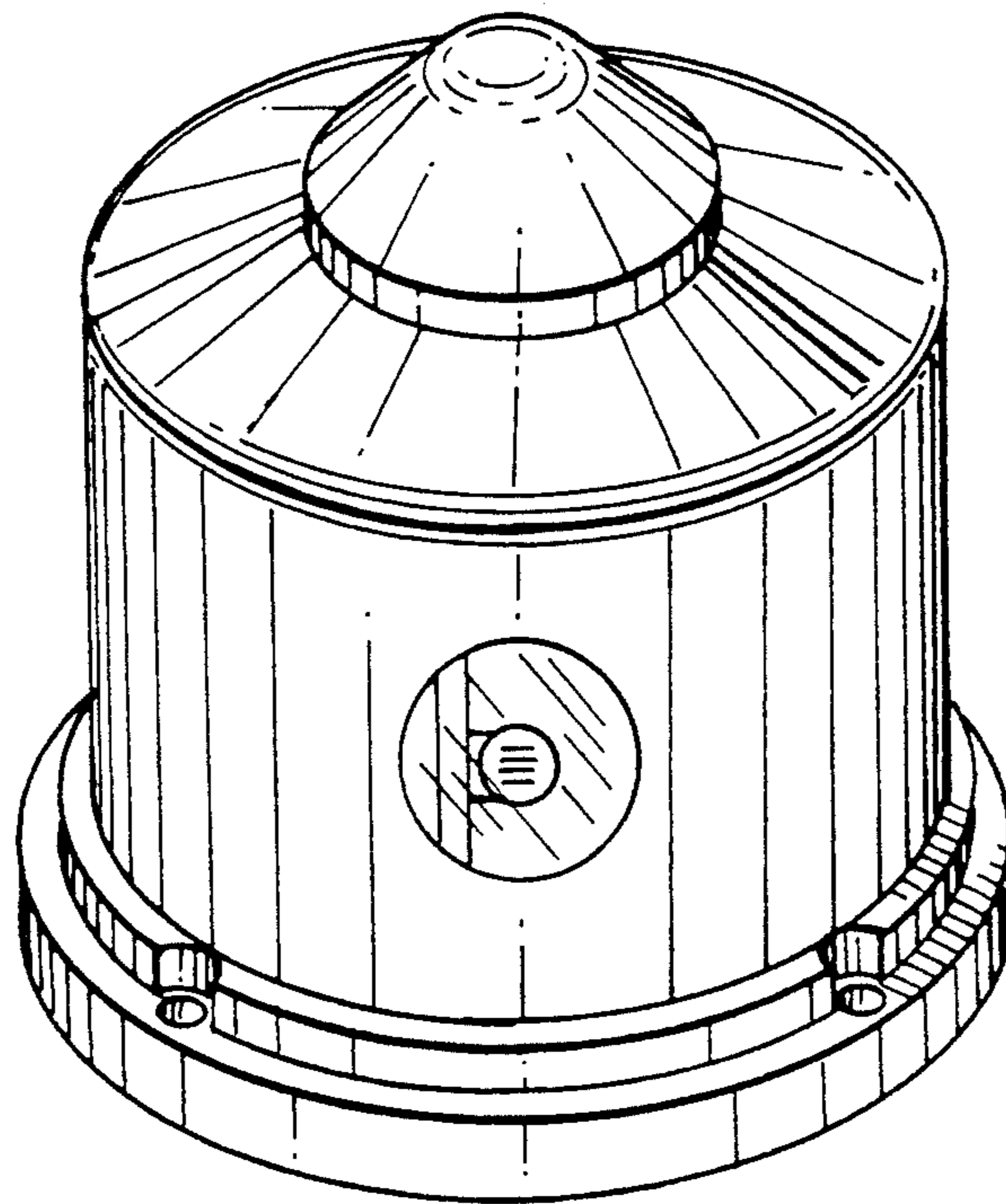


Fig. 1

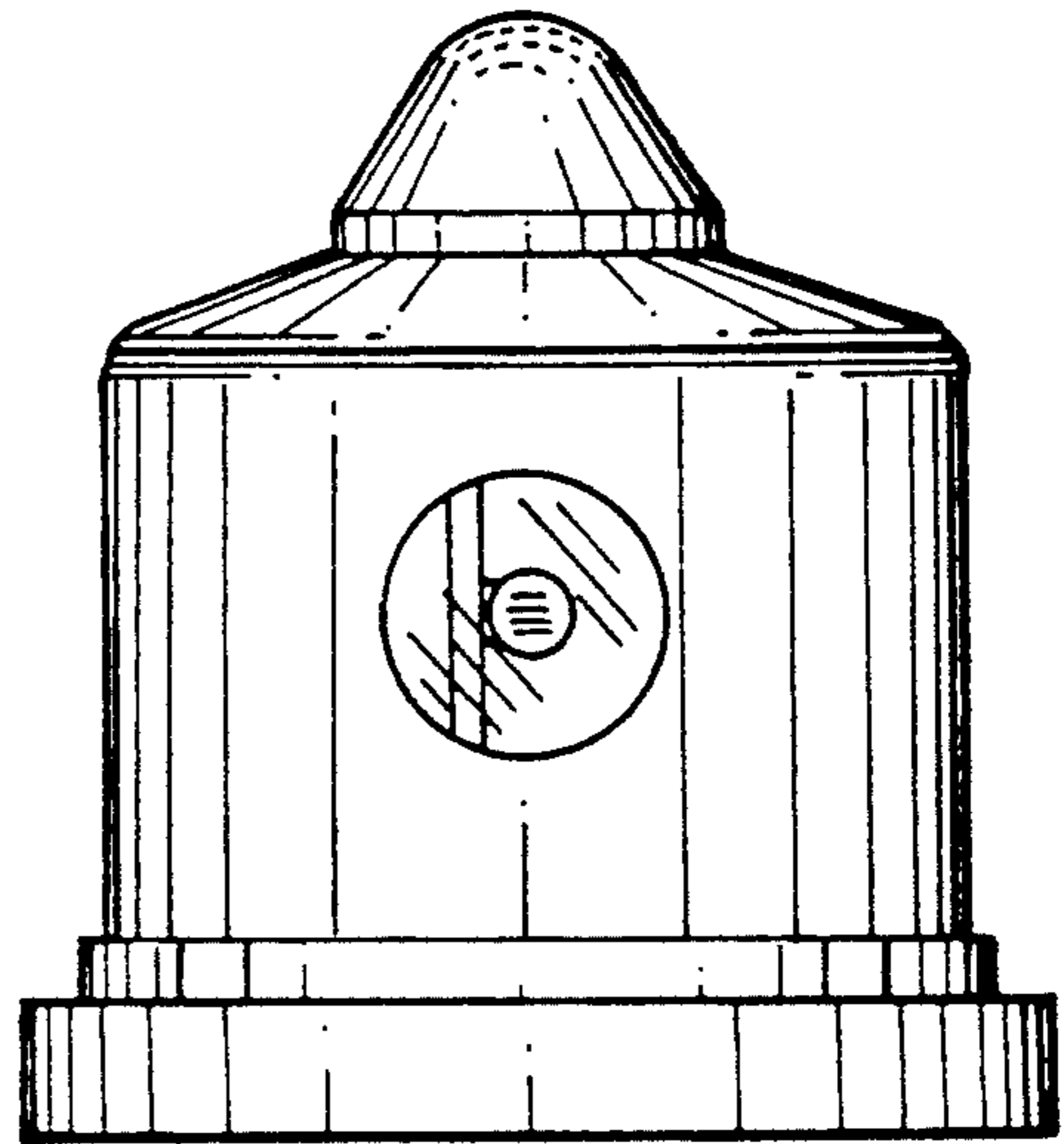
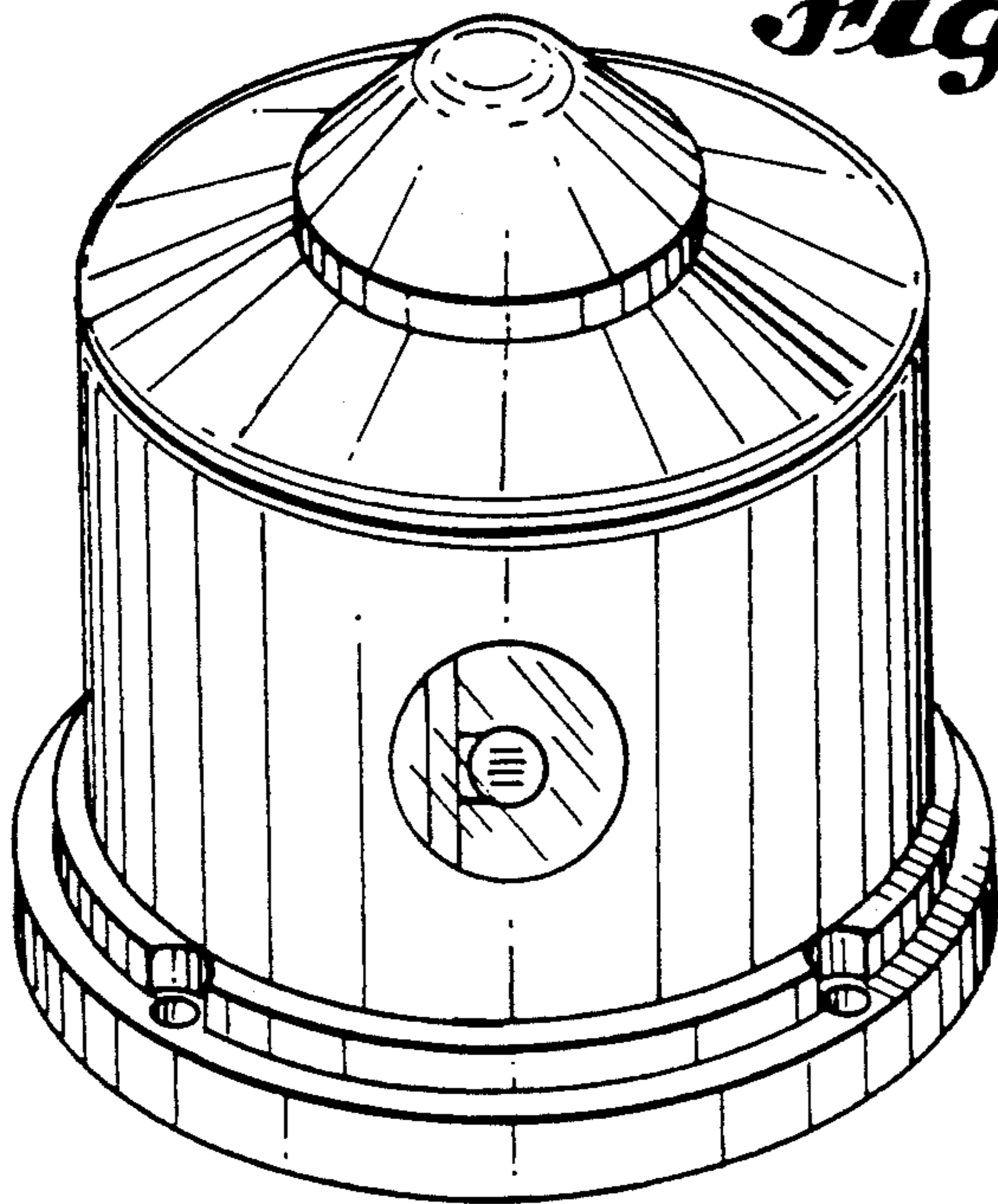


Fig. 2

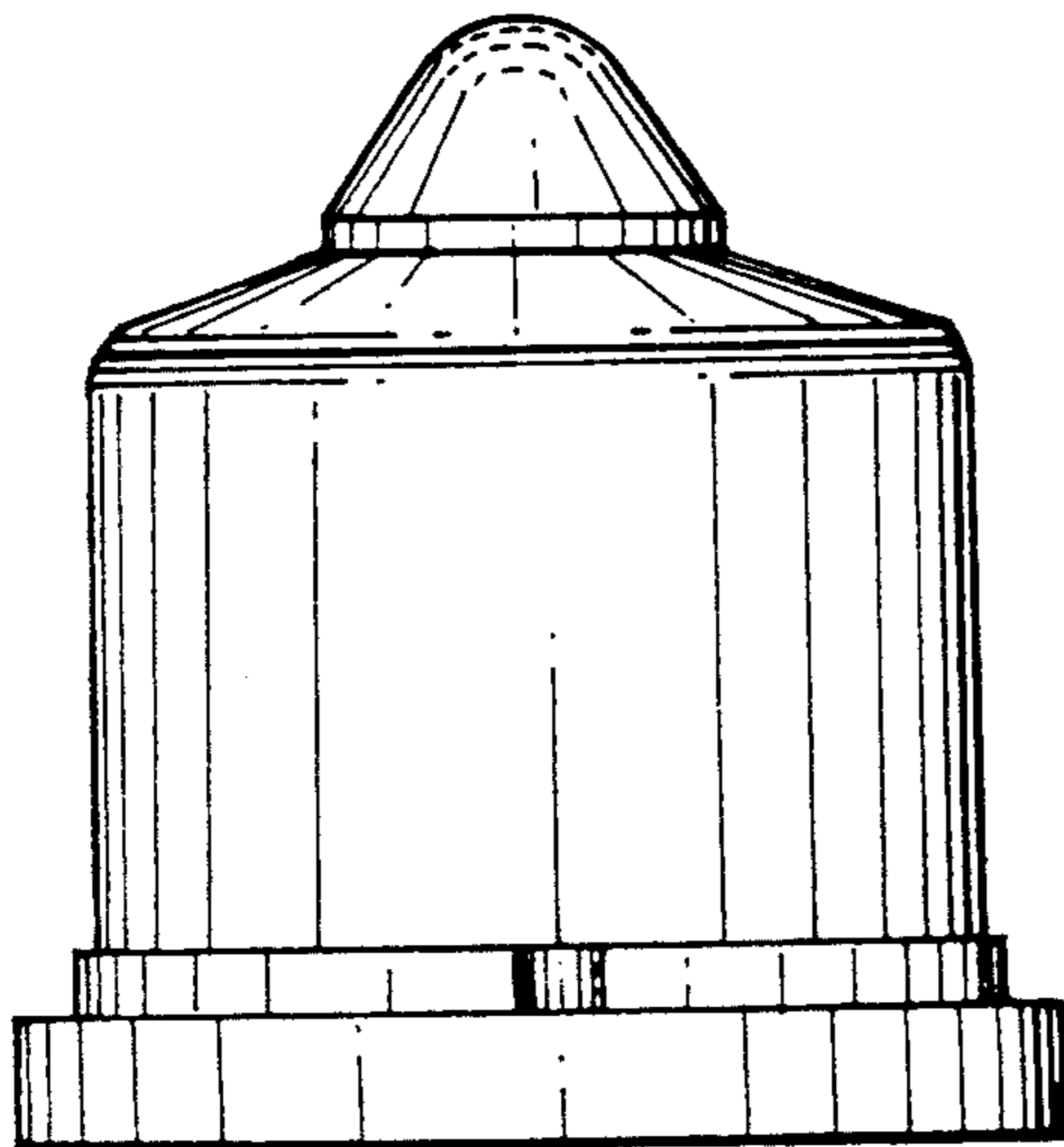


Fig. 3

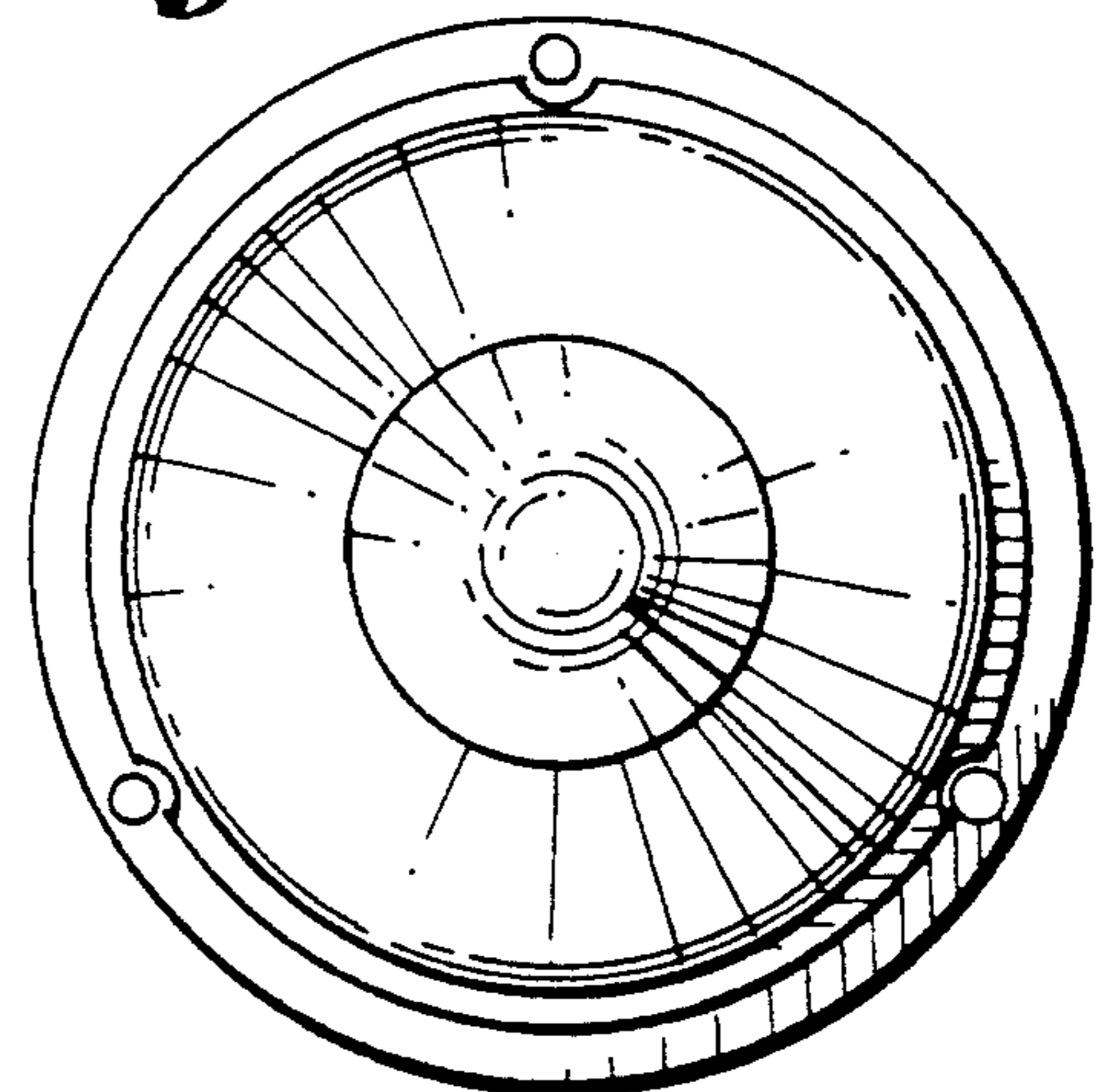


Fig. 4

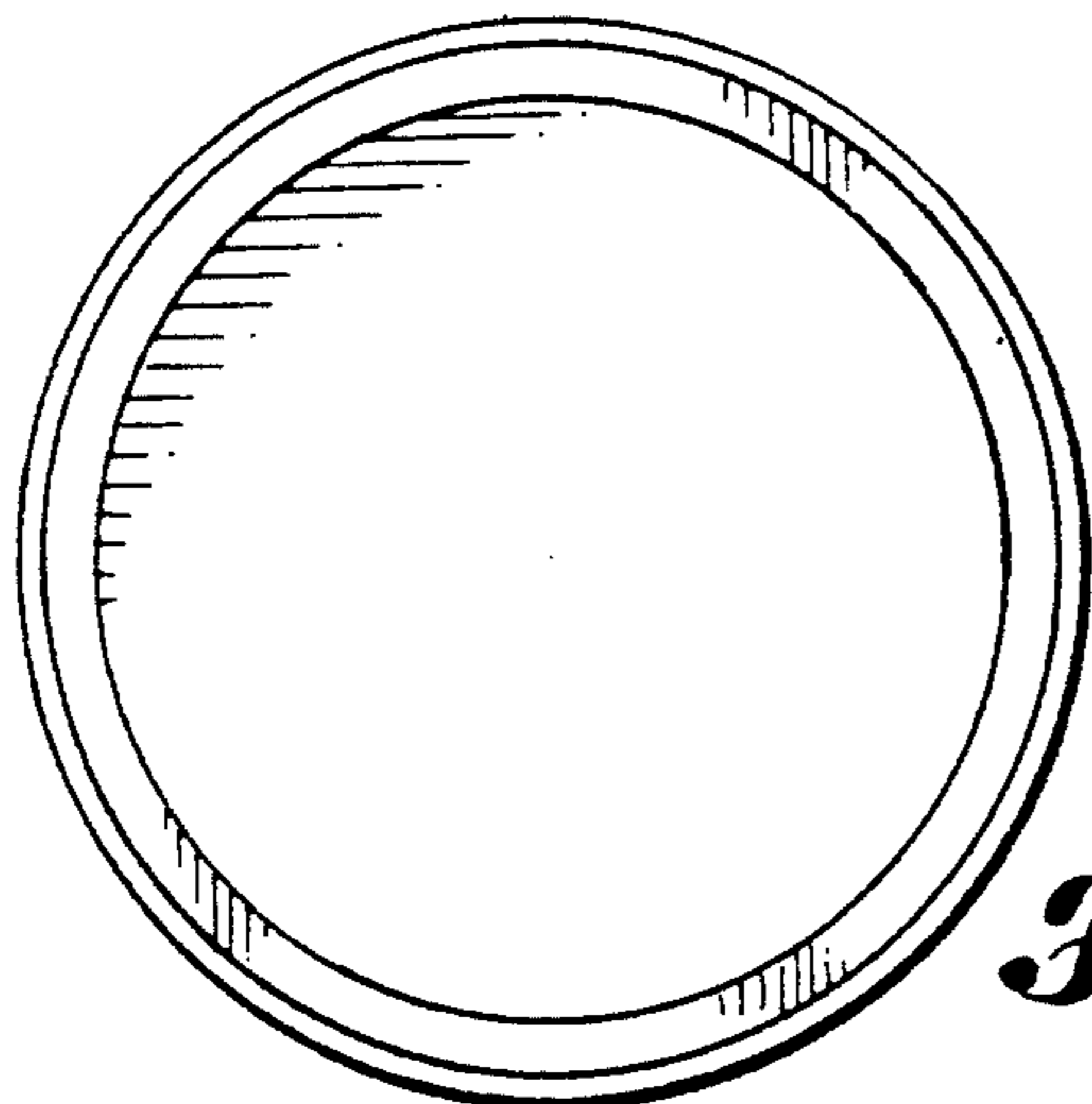


Fig. 5