



US00D348620S

United States Patent [19]

[11] Patent Number: Des. 348,620

Roberts

[45] Date of Patent: ** Jul. 12, 1994

[54] JAR STIRRER HOUSING

[76] Inventor: Bruce G. Roberts, 133 Peacockes Rd., Hamilton, New Zealand

[**] Term: 14 Years

[21] Appl. No.: 935,211

[22] Filed: Aug. 25, 1992

[52] U.S. Cl. D10/81

[58] Field of Search 366/241, 242, 244, 256, 366/257, 332, 333, 334, 335, 341; 422/50, 53, 61, 62, 64, 68.1; D10/80, 81; D24/220, 232; D25/113, 119, 126

[56] **References Cited**

U.S. PATENT DOCUMENTS

- D. 241,634 9/1976 Nickerson D25/113
- D. 280,130 8/1985 Harkins et al. D24/216
- D. 311,875 11/1990 Dykstra et al. D10/81

- 4,675,163 6/1987 Mybeck 422/63 X
- 4,965,049 10/1990 Lillig et al. D24/231 X
- 5,240,326 8/1993 Evanson 366/341 X

Primary Examiner—Alan P. Douglas
Assistant Examiner—A. D. Davis
Attorney, Agent, or Firm—Stetina and Brunda

[57] **CLAIM**

The ornamental design for a jar stirrer housing, as shown and described.

DESCRIPTION

FIG. 1 is a front perspective view of the jar stirrer housing of the present invention; FIG. 2 is an end elevation view, the opposite end elevational view being a mirror image; FIG. 3 is a top elevation view thereof; FIG. 4 is a bottom elevation view thereof; FIG. 5 is a front elevation view thereof; and, FIG. 6 is a back elevation view thereof.

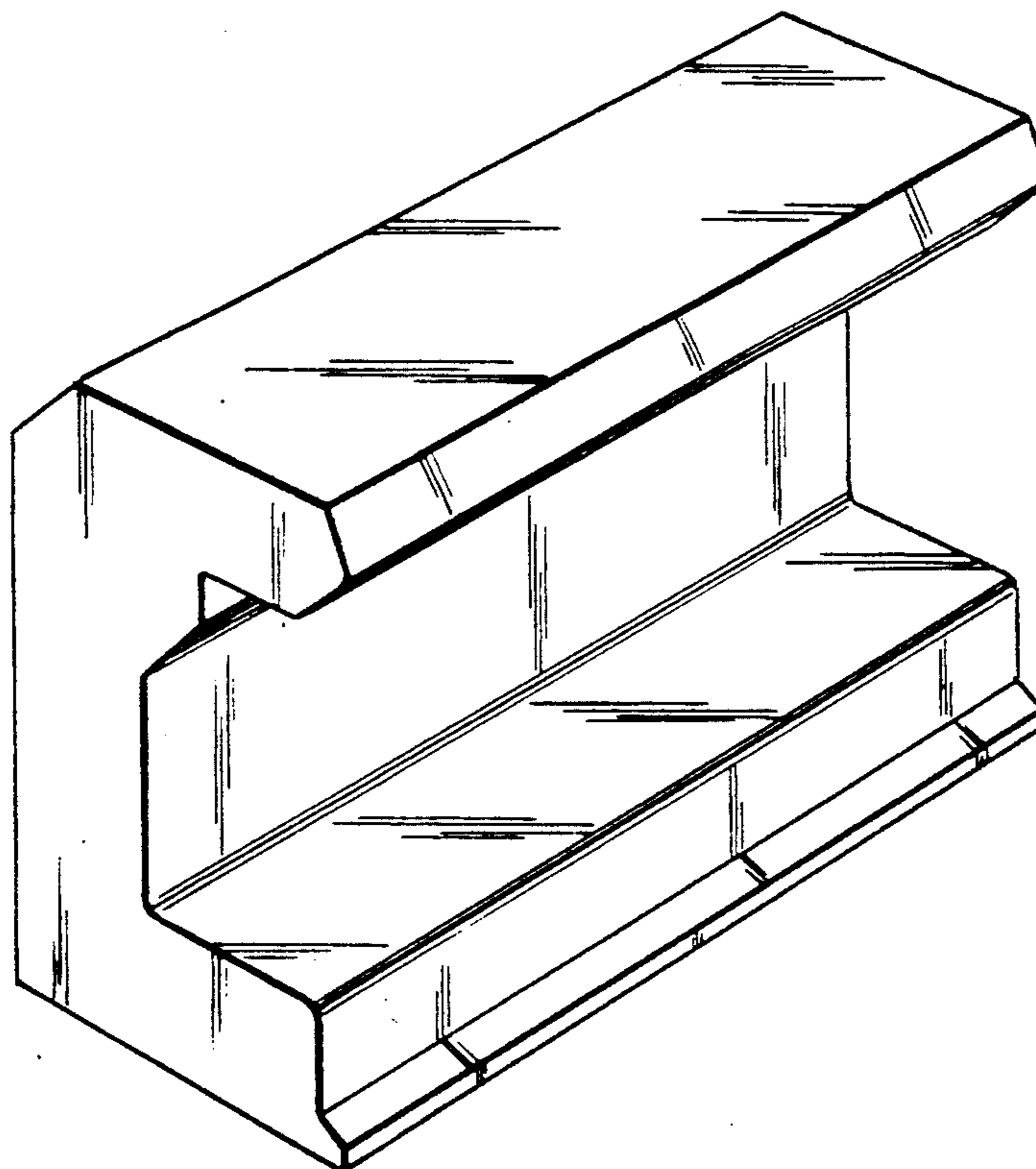


Fig. 1

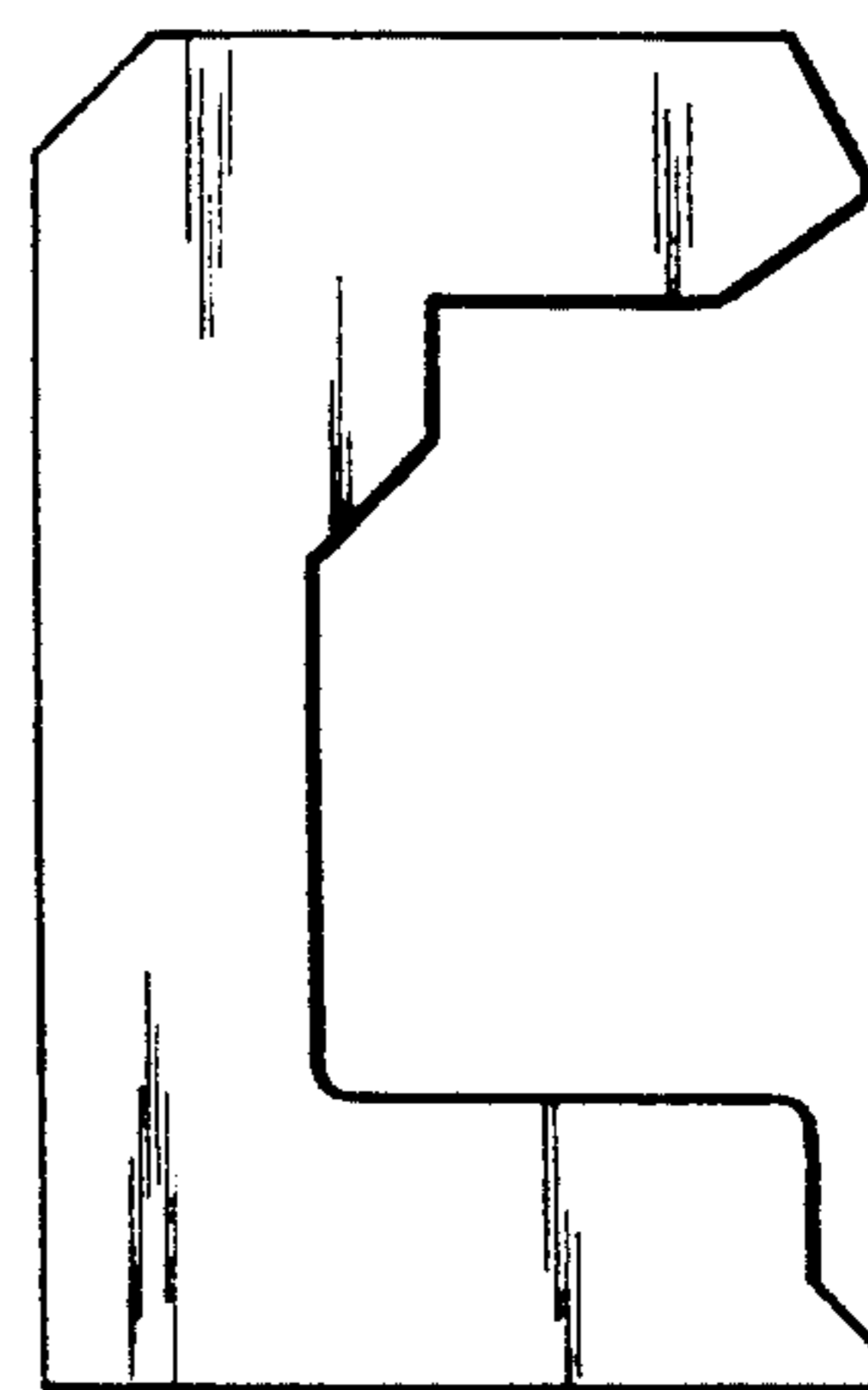
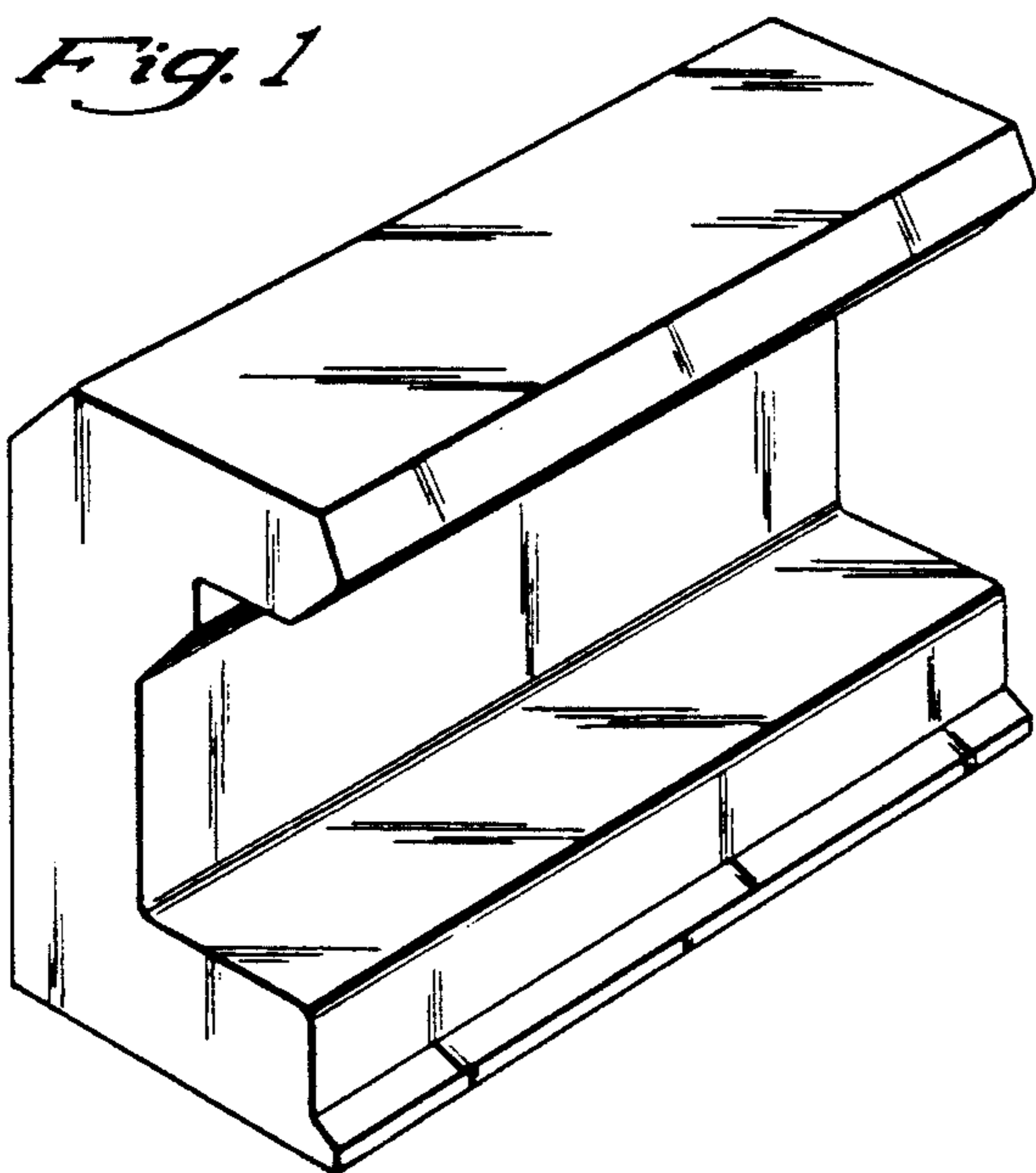


Fig. 2

Fig. 3

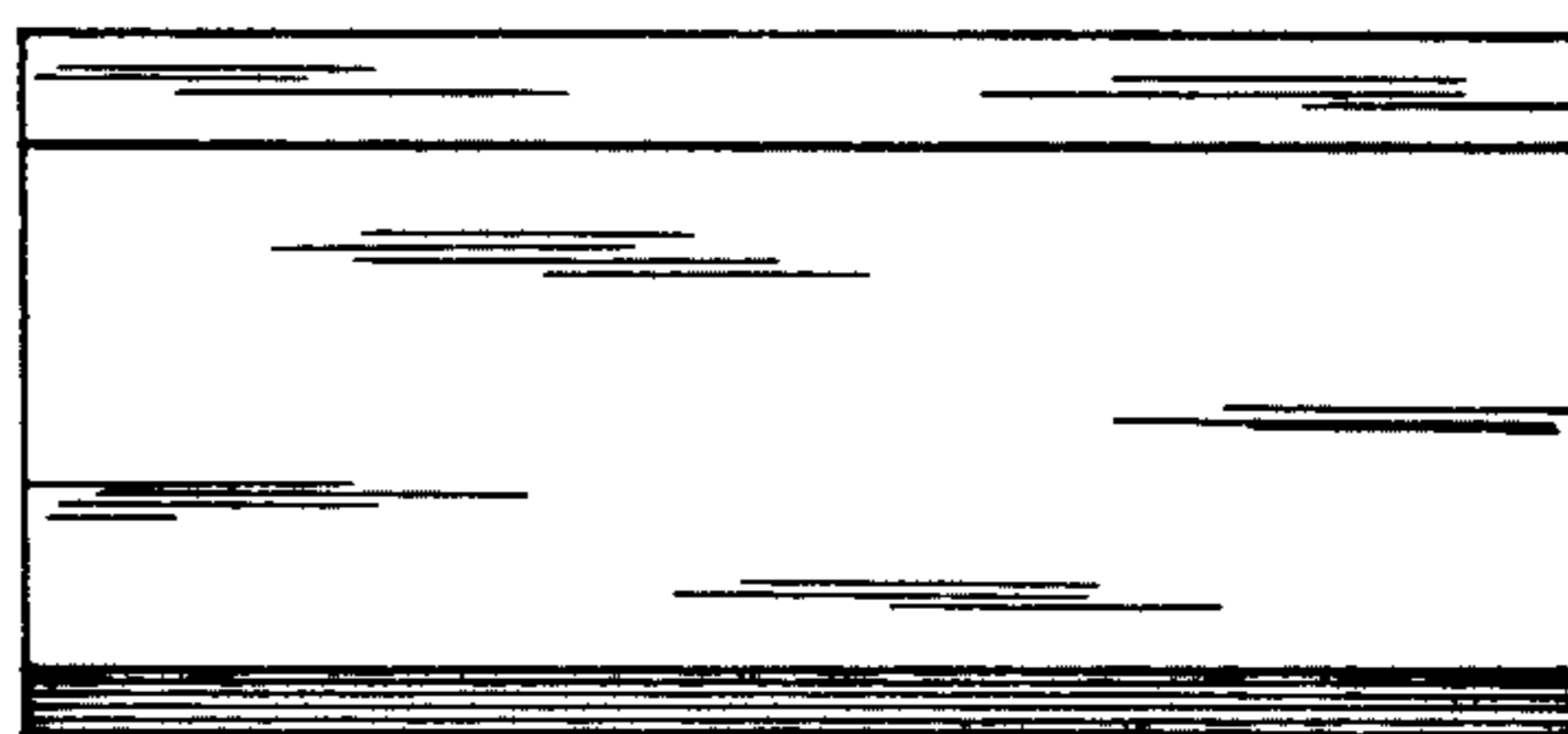


Fig. 4

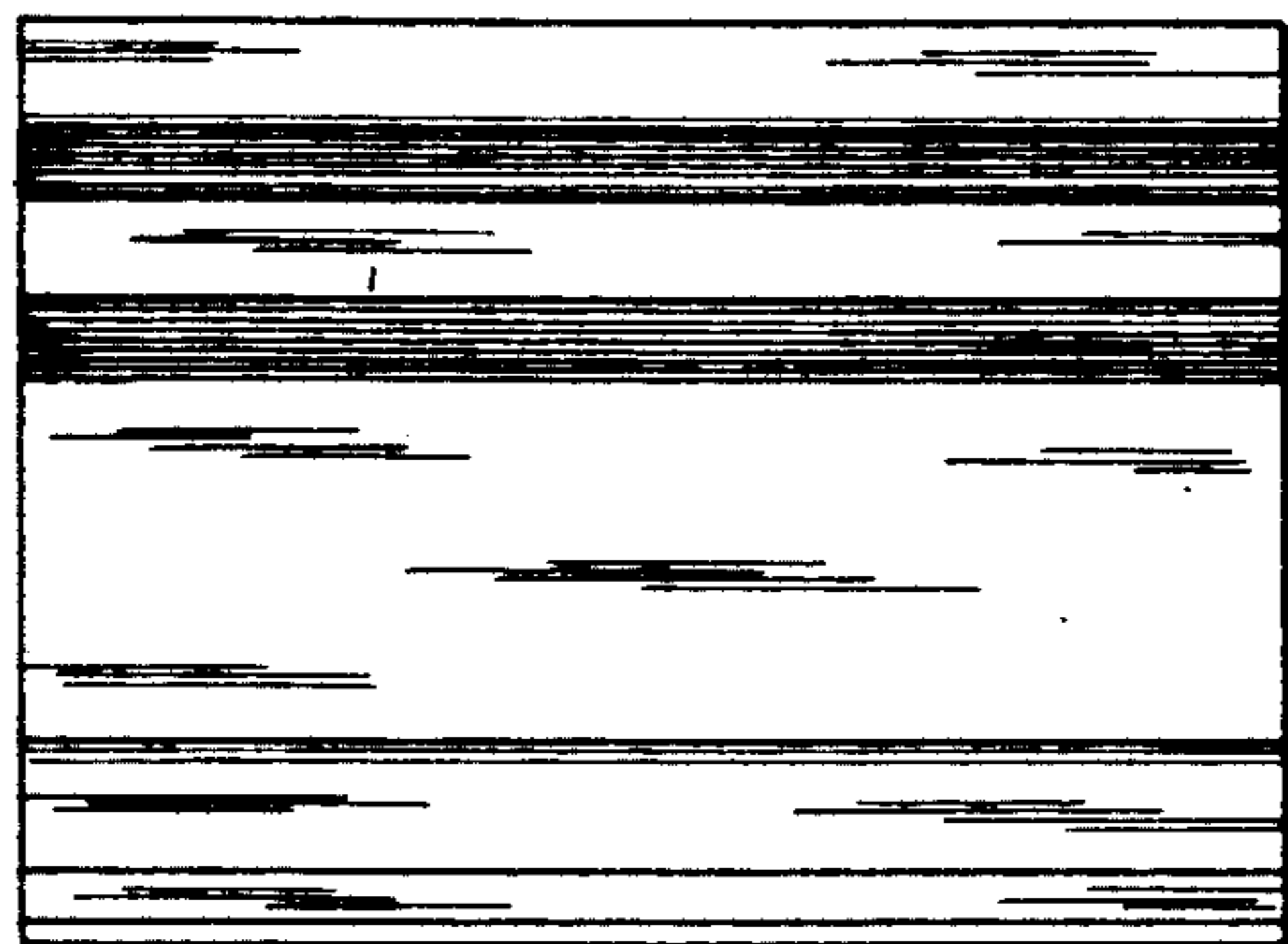
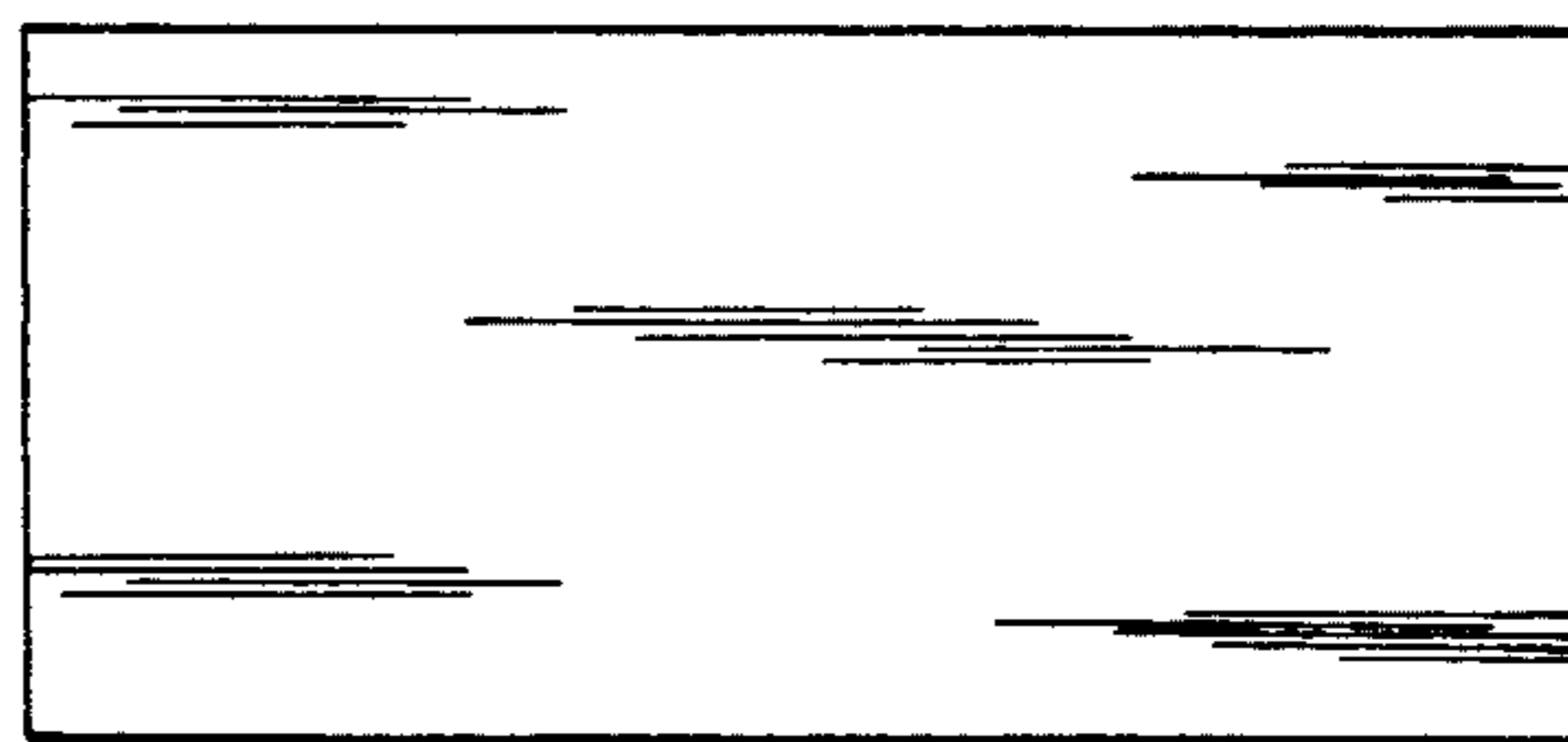


Fig. 5

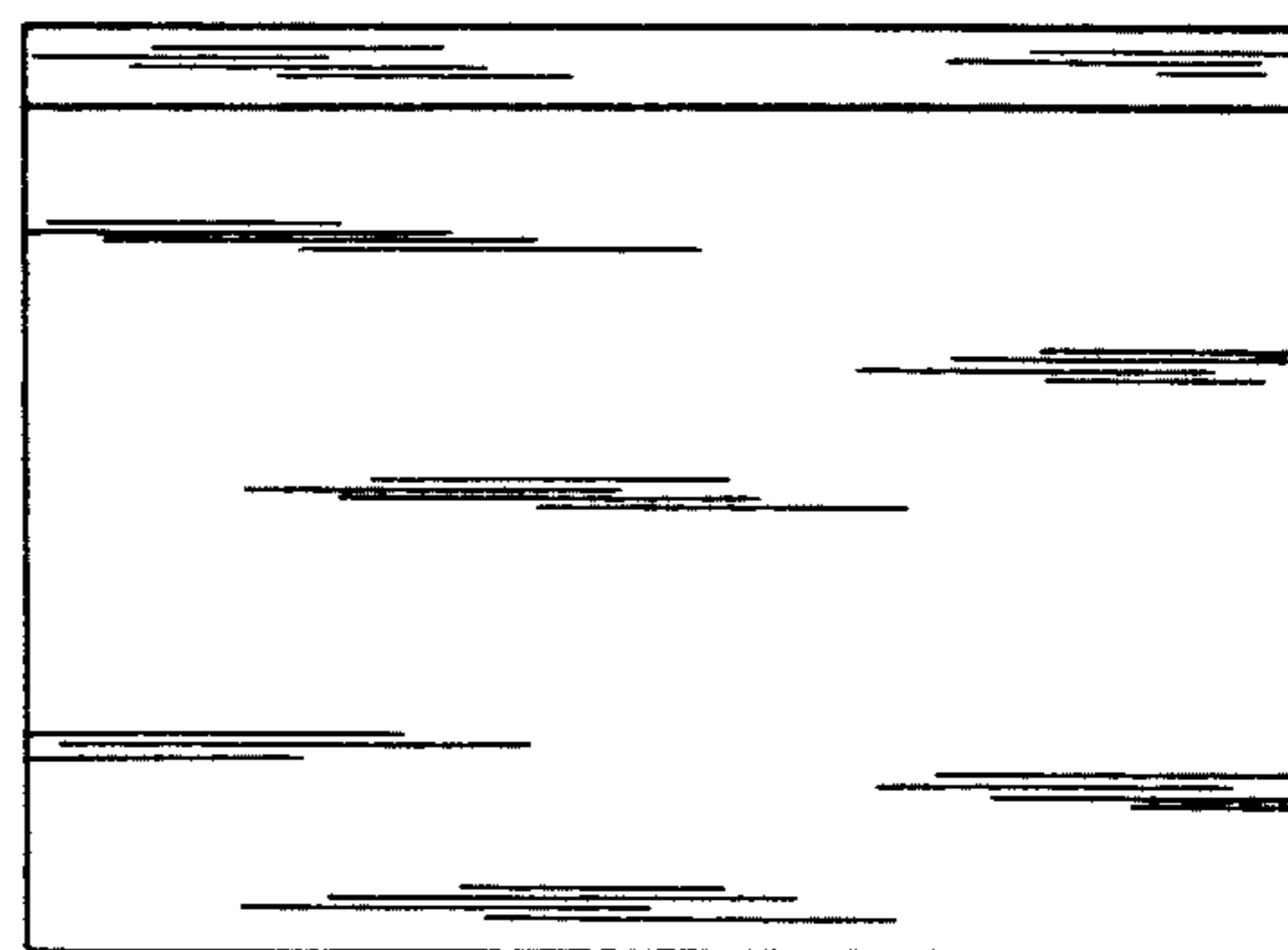


Fig. 6