



US00D348619S

United States Patent [19]

[11] Patent Number: Des. 348,619

Hansen

[45] Date of Patent: ** Jul. 12, 1994

[54] STRAIGHT EDGE LEVEL

4,208,803 6/1980 Brown et al. 33/379 X

[75] Inventor: Frederick S. Hansen, Manchester Center, Vt.

Primary Examiner—Alan P. Douglas
Assistant Examiner—Antoine Davis
Attorney, Agent, or Firm—Chilton, Alix & Van Kirk

[73] Assignee: The Stanley Works, New Britain, Conn.

[57] CLAIM

[**] Term: 14 Years

The ornamental design for a straight edge level, as shown and described.

[21] Appl. No.: 4,809

DESCRIPTION

[22] Filed: Feb. 16, 1993

[52] U.S. Cl. D10/69

FIG. 1 is a top plan view of the straight edge level showing my new design;

[58] Field of Search 33/365-390;

FIG. 2 is a front elevational view thereof;

D10/69

FIG. 3 is a back elevational view thereof;

FIG. 4 is a bottom plan view thereof;

[56] References Cited

U.S. PATENT DOCUMENTS

D. 189,590 1/1961 White D10/69 X

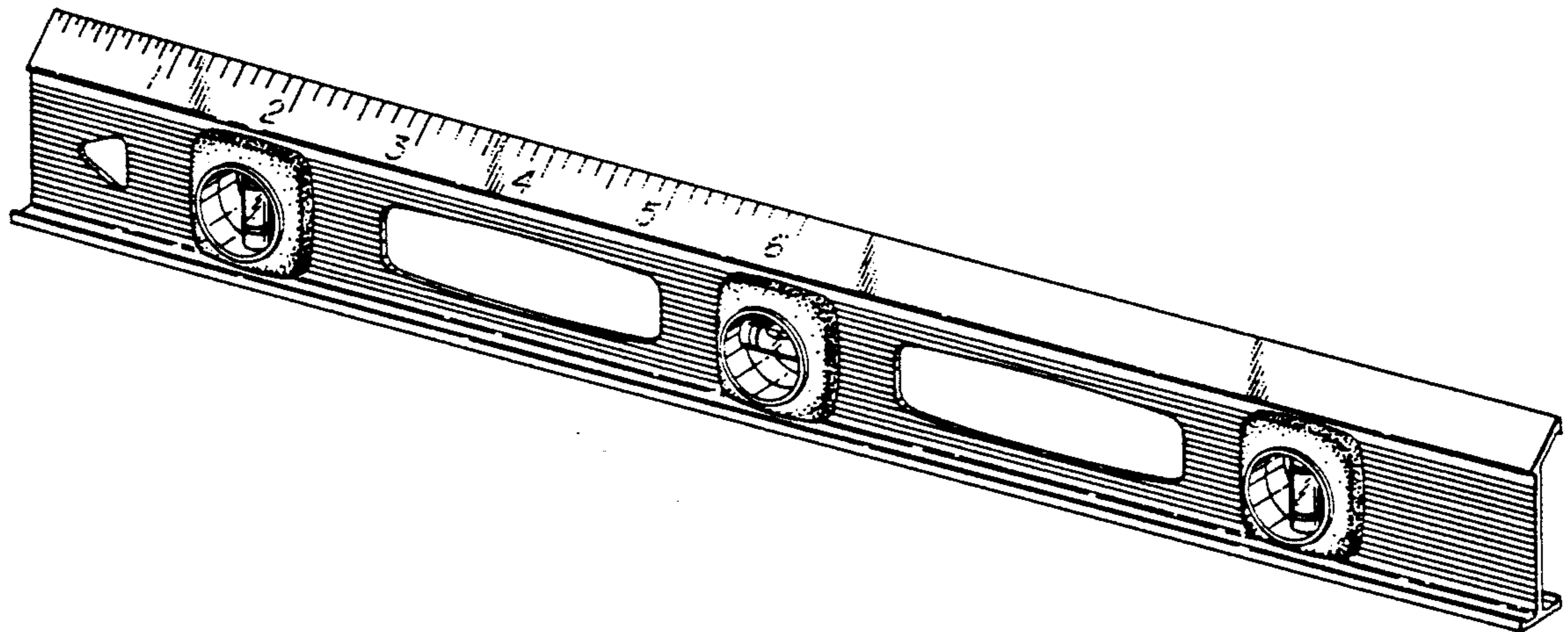
FIG. 5 is an end view thereof taken from the left of FIG. 2;

D. 314,350 2/1991 Wright D10/69

FIG. 6 is a substantially enlarged opposite end view thereof; and,

3,561,128 2/1971 Ostrager 33/383

FIG. 7 is an isometric view thereof.



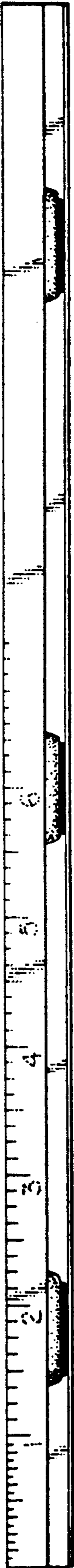


FIG. 1

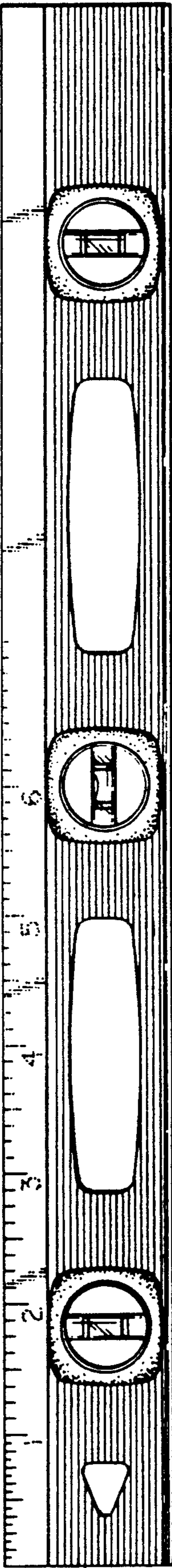


FIG. 2

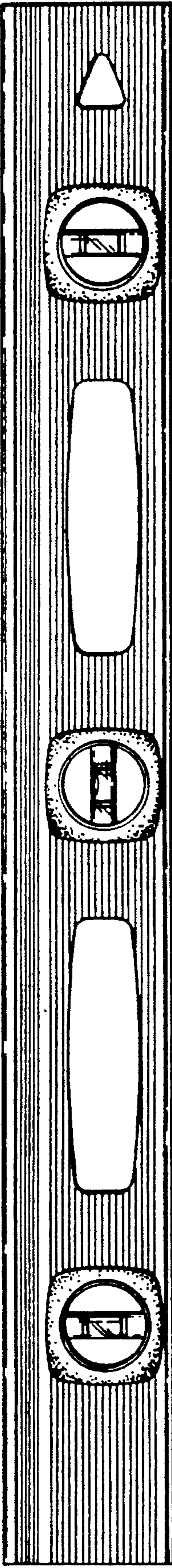


FIG. 3



FIG. 4



FIG. 5

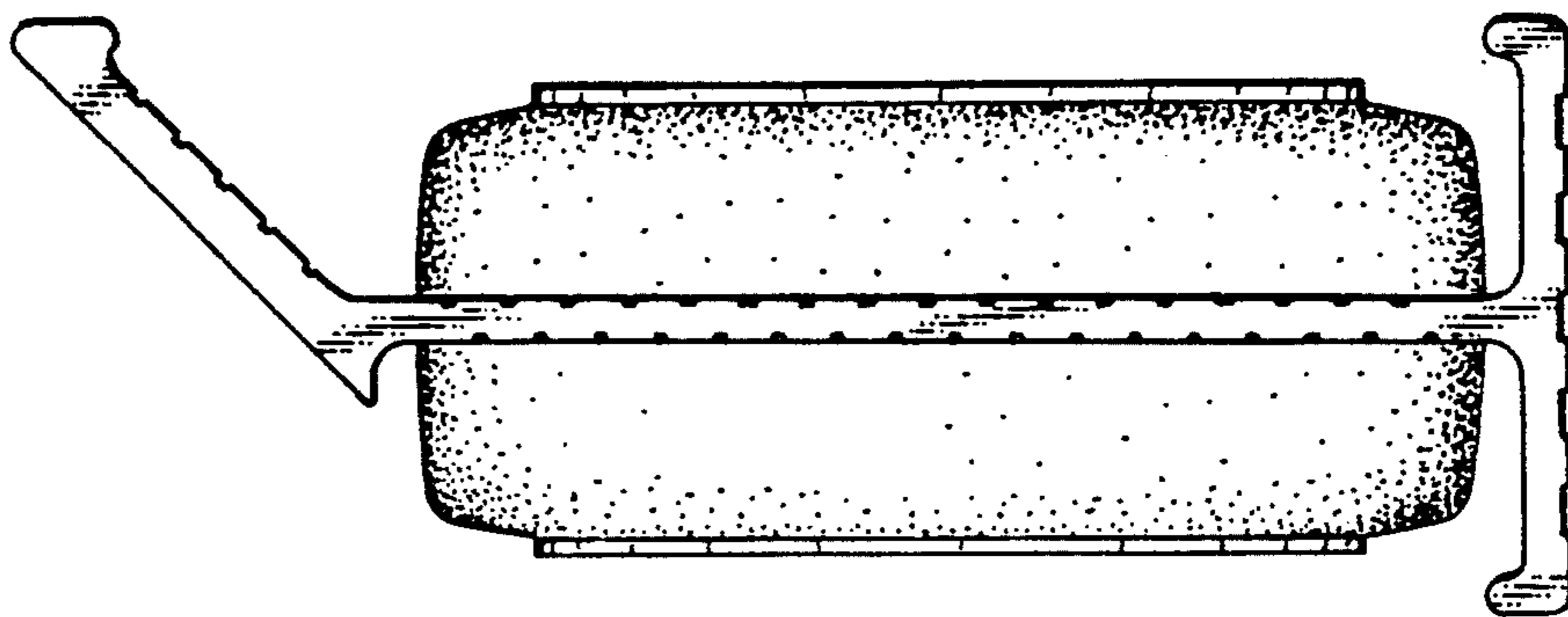


FIG. 6

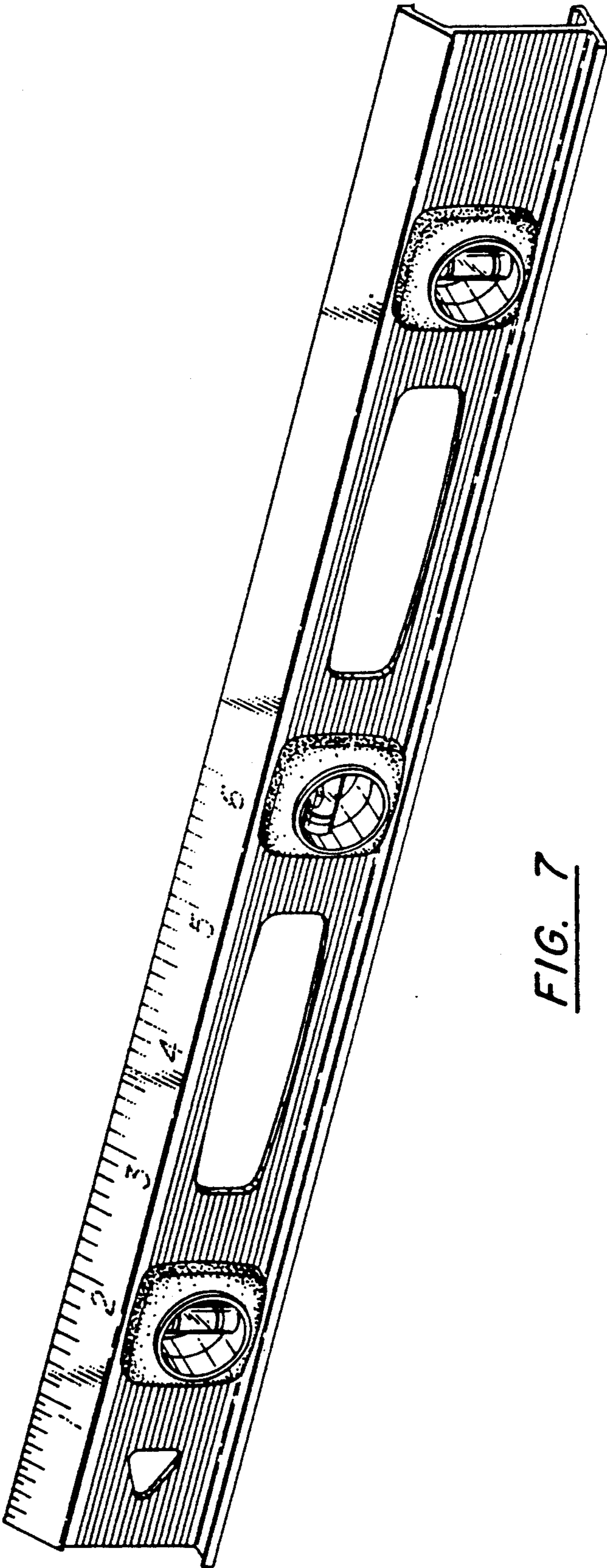


FIG. 7