



US00D348604S

United States Patent [19]

[11] Patent Number: **Des. 348,604**

Hannerstig

[45] Date of Patent: **** Jul. 12, 1994**

[54] **CURTAIN DRAPING HOOK**

[75] Inventor: **Christer Hannerstig,**
Höllviksnäs/Schweden, Sweden

[73] Assignee: **AB A. Svensson & Co., Malmö,**
Sweden

[*] Notice: The portion of the term of this patent subsequent to Nov. 16, 2007 has been disclaimed.

[**] Term: **14 Years**

[21] Appl. No.: **530,069**

[22] Filed: **May 29, 1990**

[30] **Foreign Application Priority Data**

Dec. 1, 1989 [DE] Fed. Rep. of Germany M 89 08
413.6

[52] U.S. Cl. **D8/368**

[58] Field of Search D6/315, 317, 320, 530,
D6/578; D8/354, 356, 363, 367, 368, 369, 371,
370, 380-383; 248/262, 301, 304, 316.7, 37.3,
100, 103, 107, 110, 112, 115, 475.1, 534;
160/330, 348, 349.1, 349.2

[56] **References Cited**

U.S. PATENT DOCUMENTS

- D. 120,628 5/1940 Jembrzycki .
- D. 290,931 7/1987 Powell D8/373
- 247,860 10/1881 Warner .
- 361,007 4/1887 Gould .
- 464,499 12/1891 Grenelle .
- 744,691 11/1903 Porter .
- 827,000 7/1906 Dinsmore .
- 851,678 4/1907 Levy .
- 1,073,074 9/1913 Jones .
- 1,134,535 4/1915 Holland .
- 1,530,180 3/1925 Holmes .
- 1,637,704 8/1927 Moats .
- 1,644,105 10/1927 Boye .
- 1,730,979 10/1929 Liebchen .
- 1,741,182 12/1929 Boye .
- 1,817,962 8/1931 Breuer .
- 1,836,018 12/1931 Dover .
- 1,874,813 8/1932 Saunders .
- 1,876,026 9/1932 Schinkal .
- 1,980,918 11/1934 Hudspeth .
- 2,244,129 6/1941 Stratton .

- 2,431,934 12/1947 Higgins .
- 2,459,503 1/1949 Dahlstrom et al. .
- 2,480,360 8/1949 Doty .
- 2,588,246 3/1952 Kenney .
- 2,606,733 8/1952 Krajewski .
- 2,607,412 8/1952 Vance et al. .
- 2,637,384 5/1953 McCabe .
- 2,909,354 10/1959 Bingham .
- 3,104,086 9/1963 Salzmann .
- 3,203,469 8/1965 Falkenberg .
- 3,317,167 5/1967 Becker et al. .
- 3,417,807 12/1968 Falkenberg .
- 3,545,523 12/1970 Falkenberg .
- 3,901,303 8/1975 Falkenberg .
- 4,284,258 8/1981 Kleiman D8/363 X
- 5,012,851 5/1991 Hannerstig .

FOREIGN PATENT DOCUMENTS

- 187246 10/1918 Canada .
- 236021 11/1923 Canada .
- 464275 4/1950 Canada .
- 449312 9/1927 Fed. Rep. of Germany .
- 8337252 1/1984 Fed. Rep. of Germany .
- 1215456 4/1960 France .
- 20736 of 1905 United Kingdom .
- 473669 10/1937 United Kingdom 248/262
- 785300 10/1957 United Kingdom .
- 1278118 6/1972 United Kingdom .

OTHER PUBLICATIONS

"Plastic Push-Pin Tiebacks," dated approximately 1943.
"Wood Festoon Ornament," dated 1941.
"Plastic Holdbacks and Festoon Rings," dated 1943.

Primary Examiner—Wallace R. Burke

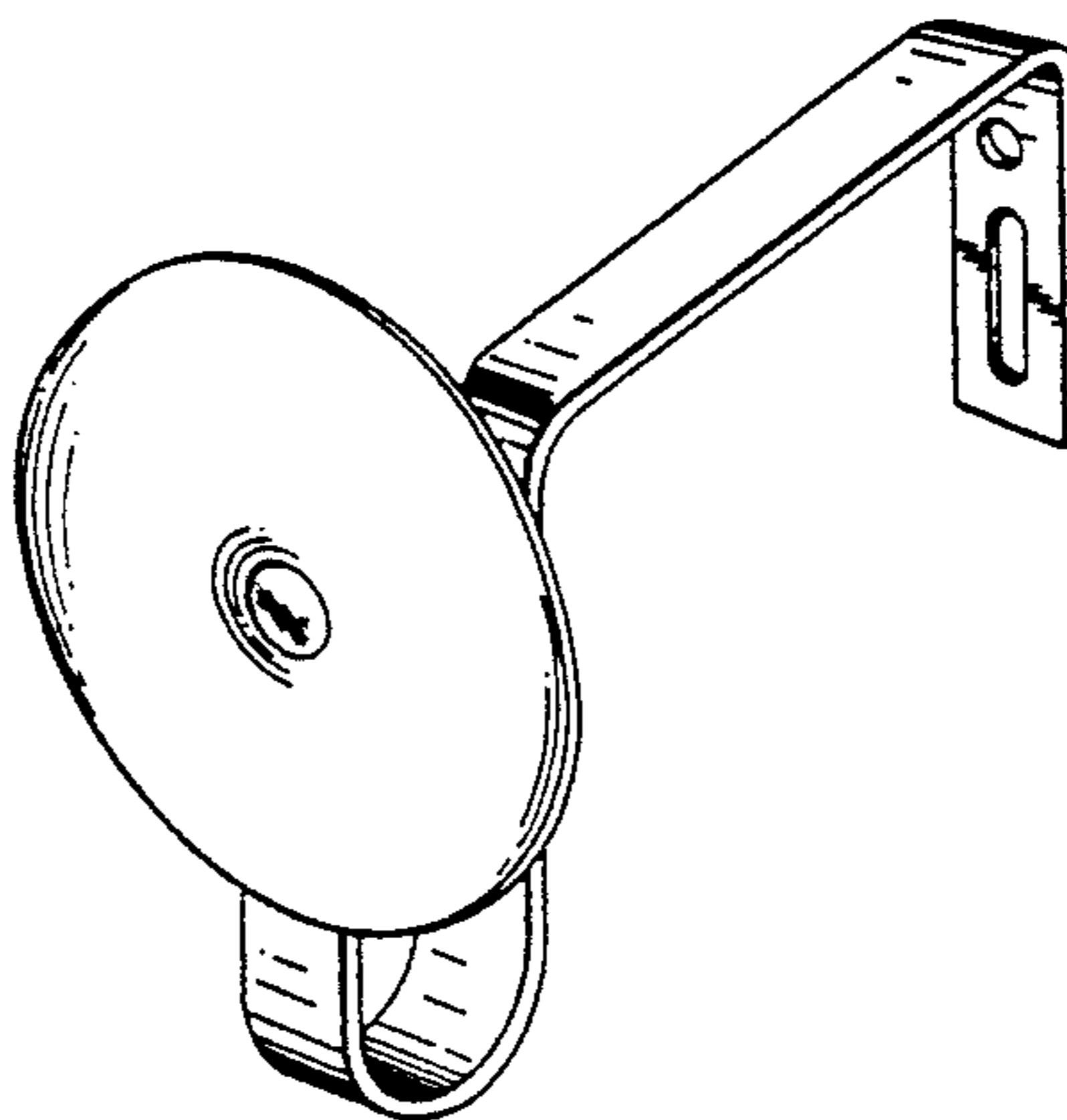
Assistant Examiner—H. Baynham

[57] **CLAIM**

The original design for a curtain draping hook, as shown.

DESCRIPTION

FIG. 1 is a perspective view of a curtain draping hook embodying my new design;
FIG. 2 is a right side elevational view thereof;
FIG. 3 is a left side elevational view thereof;
FIG. 4 is a front elevational view thereof;
FIG. 5 is a rear elevational view thereof;
FIG. 6 is a top plan view thereof; and,
FIG. 7 is a bottom plan view thereof.



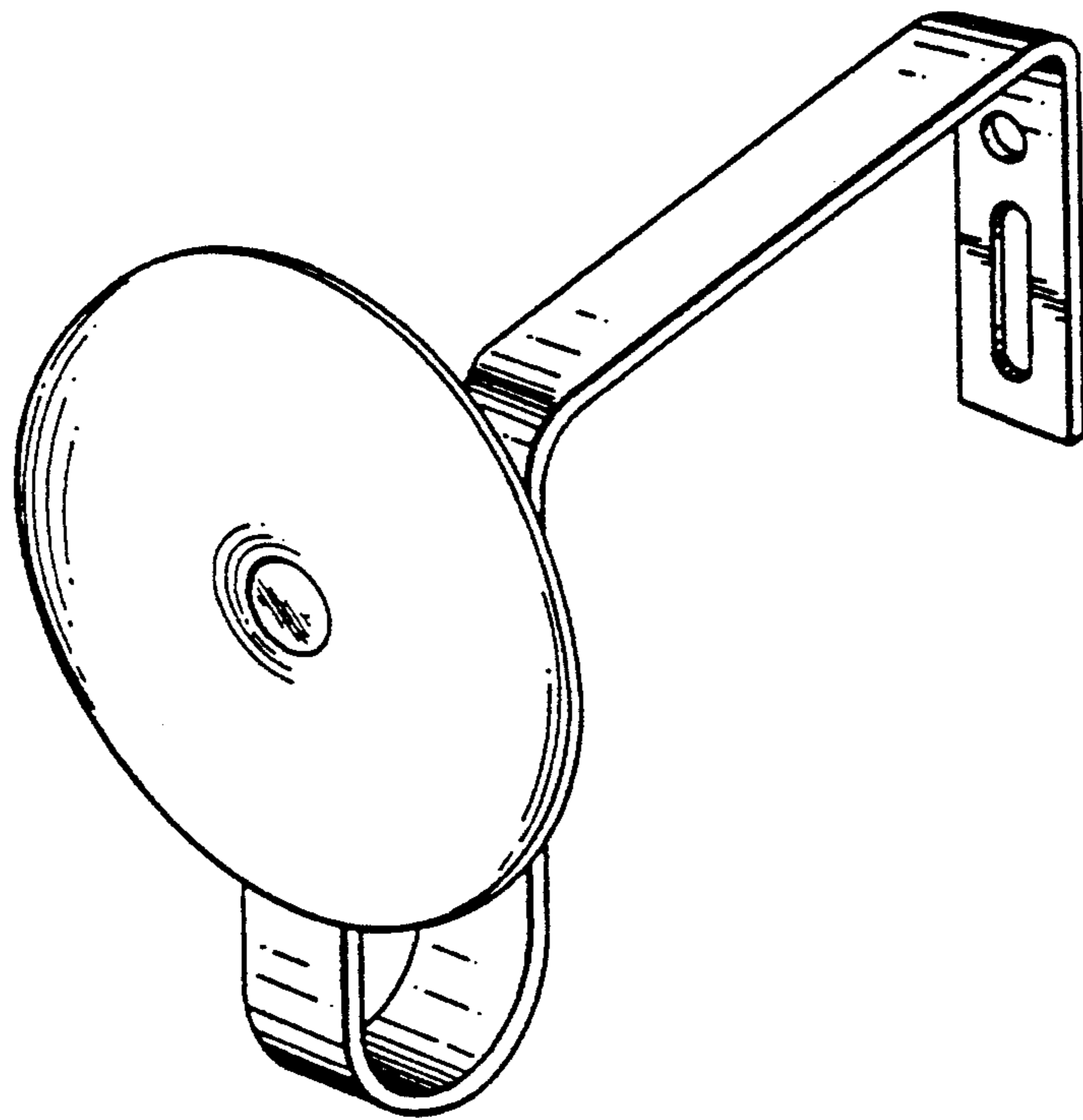


FIG. 1

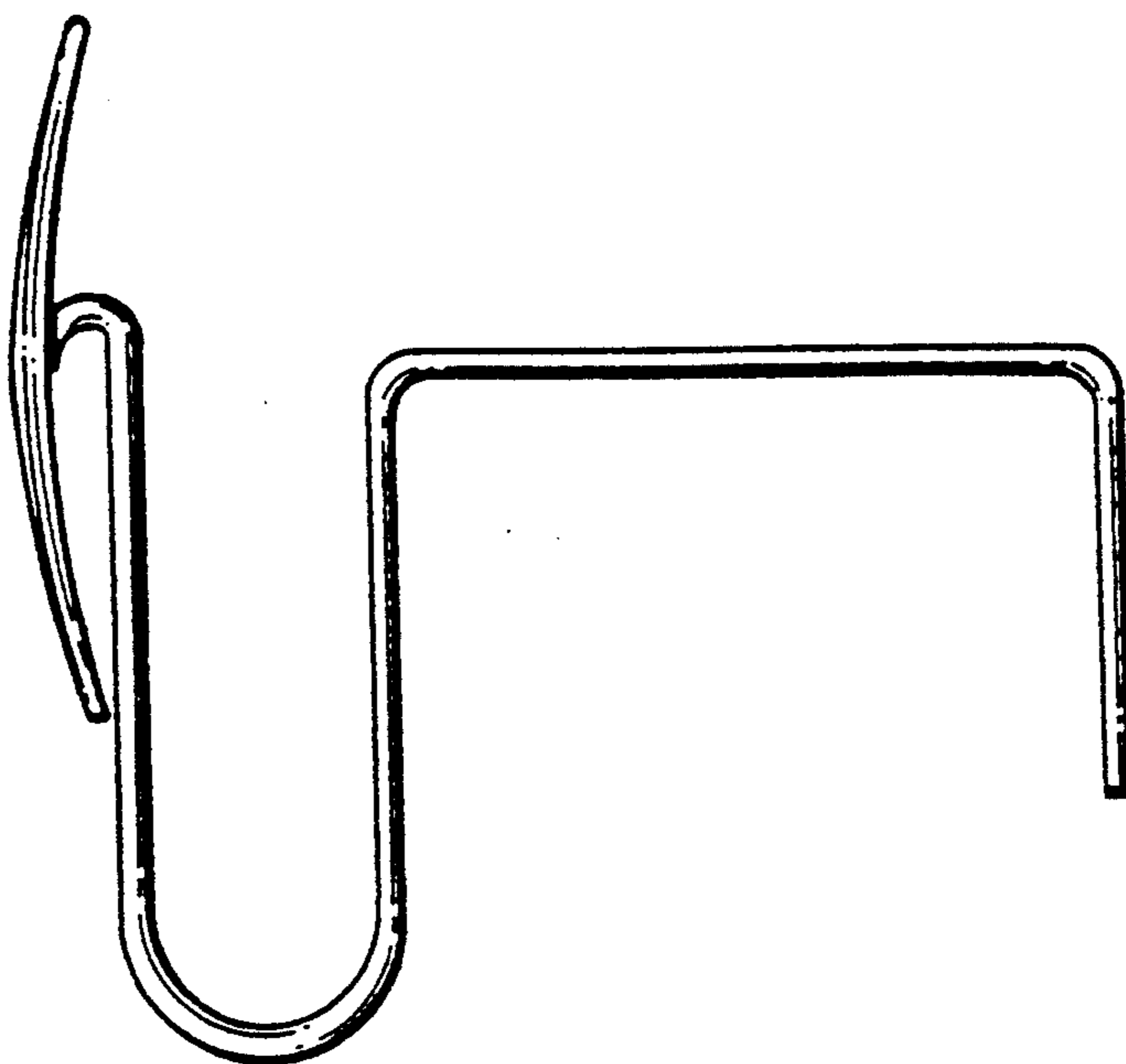


FIG. 2

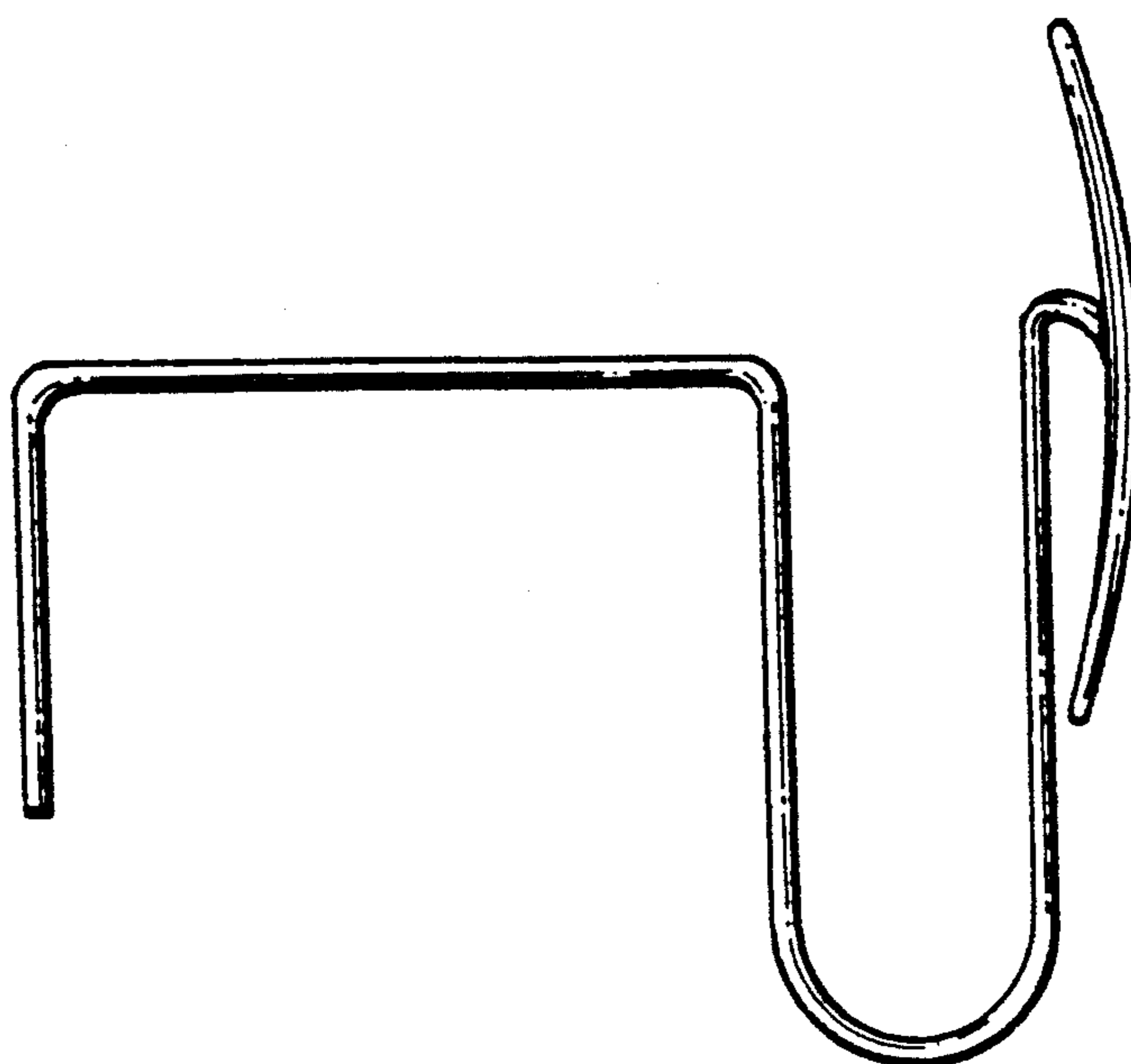


FIG. 3

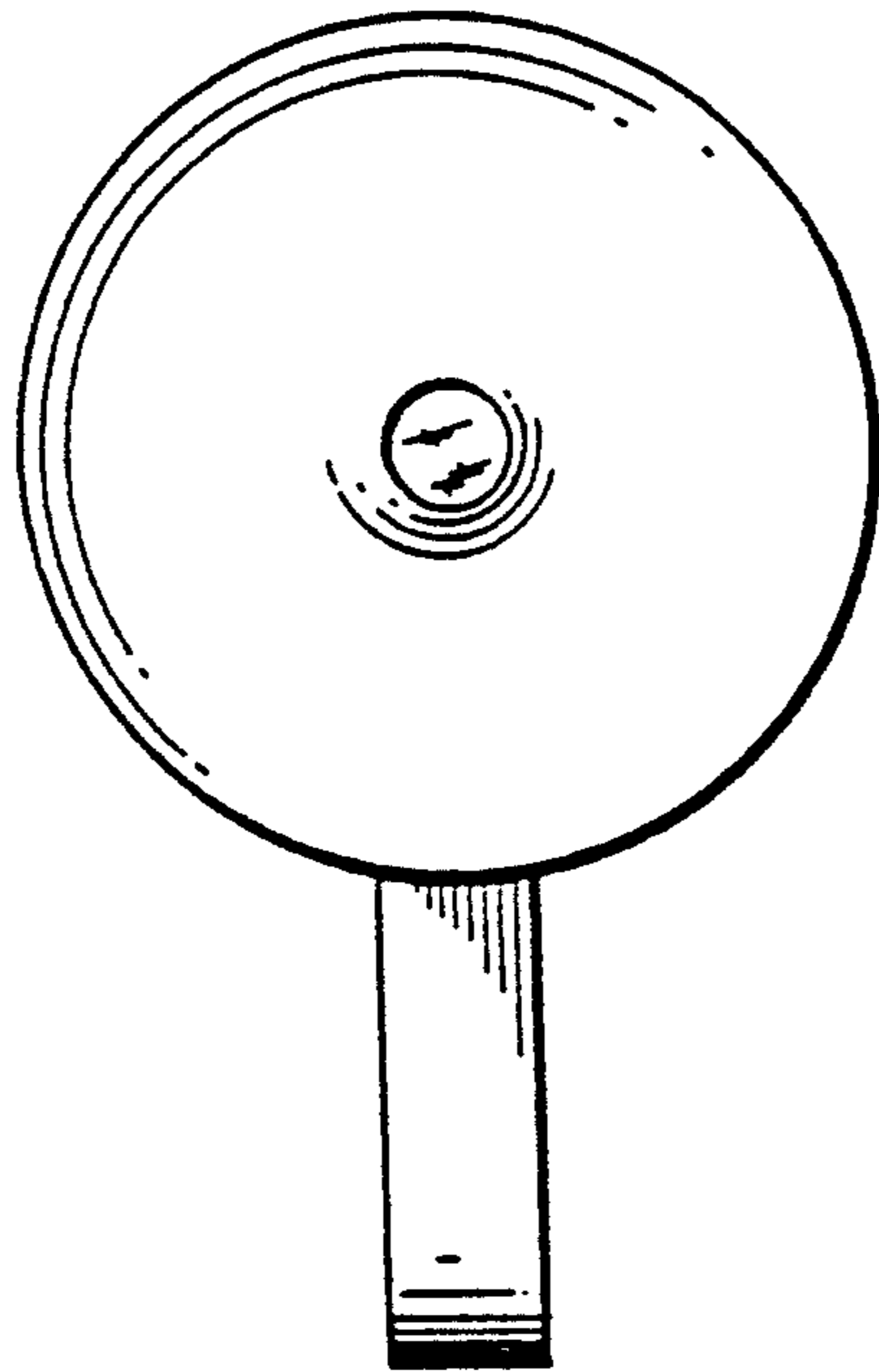


FIG. 4

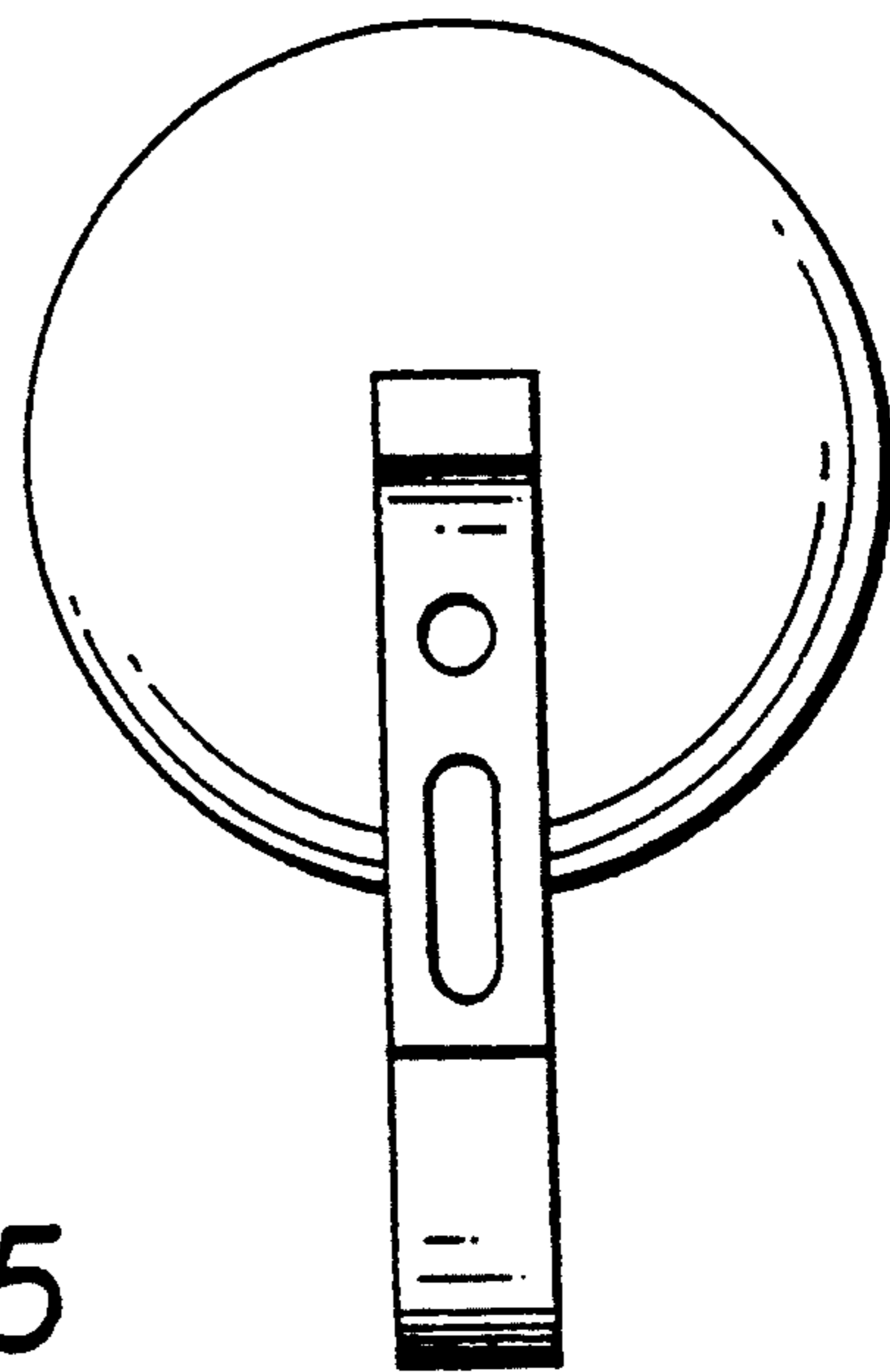


FIG. 5

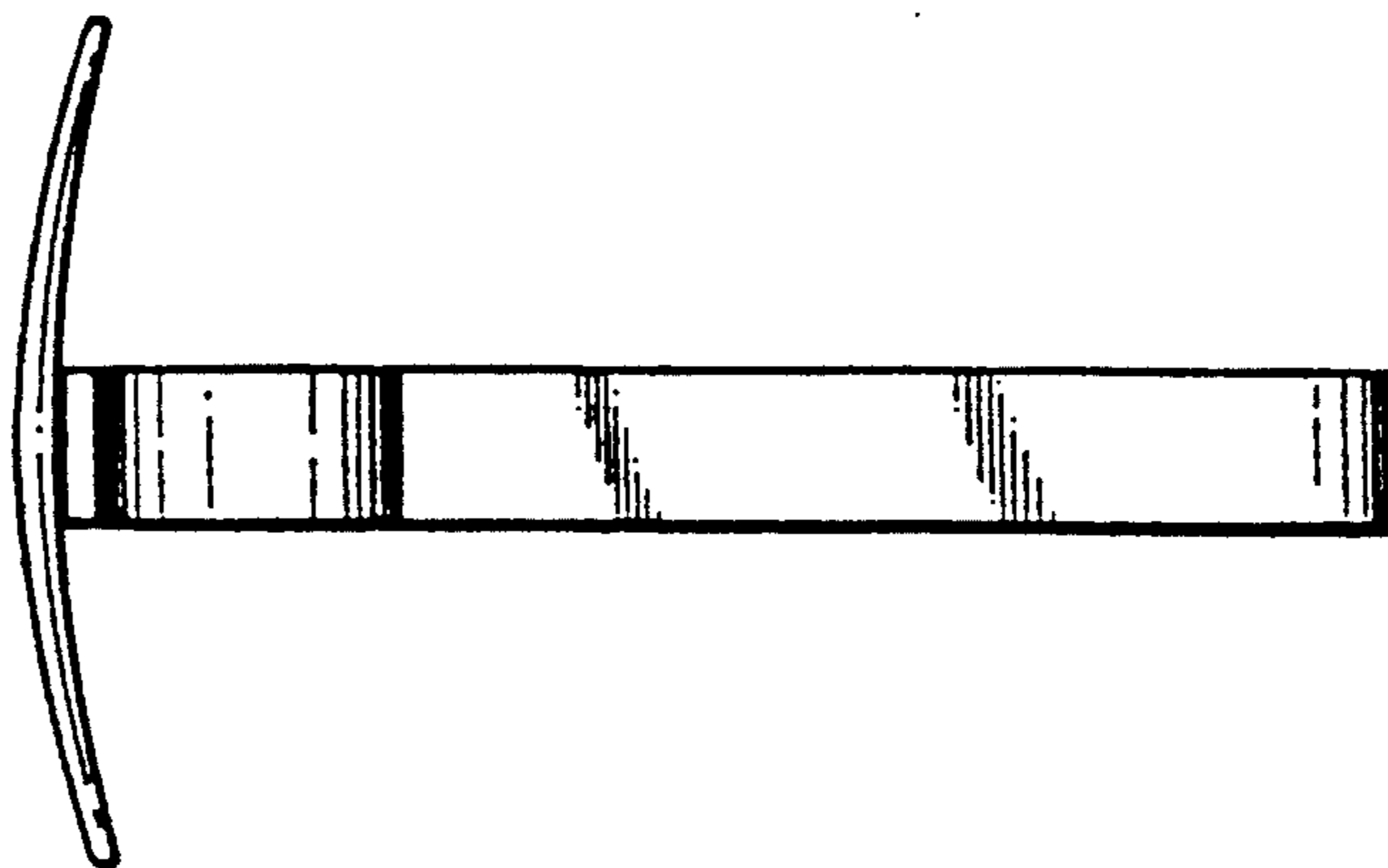


FIG. 6

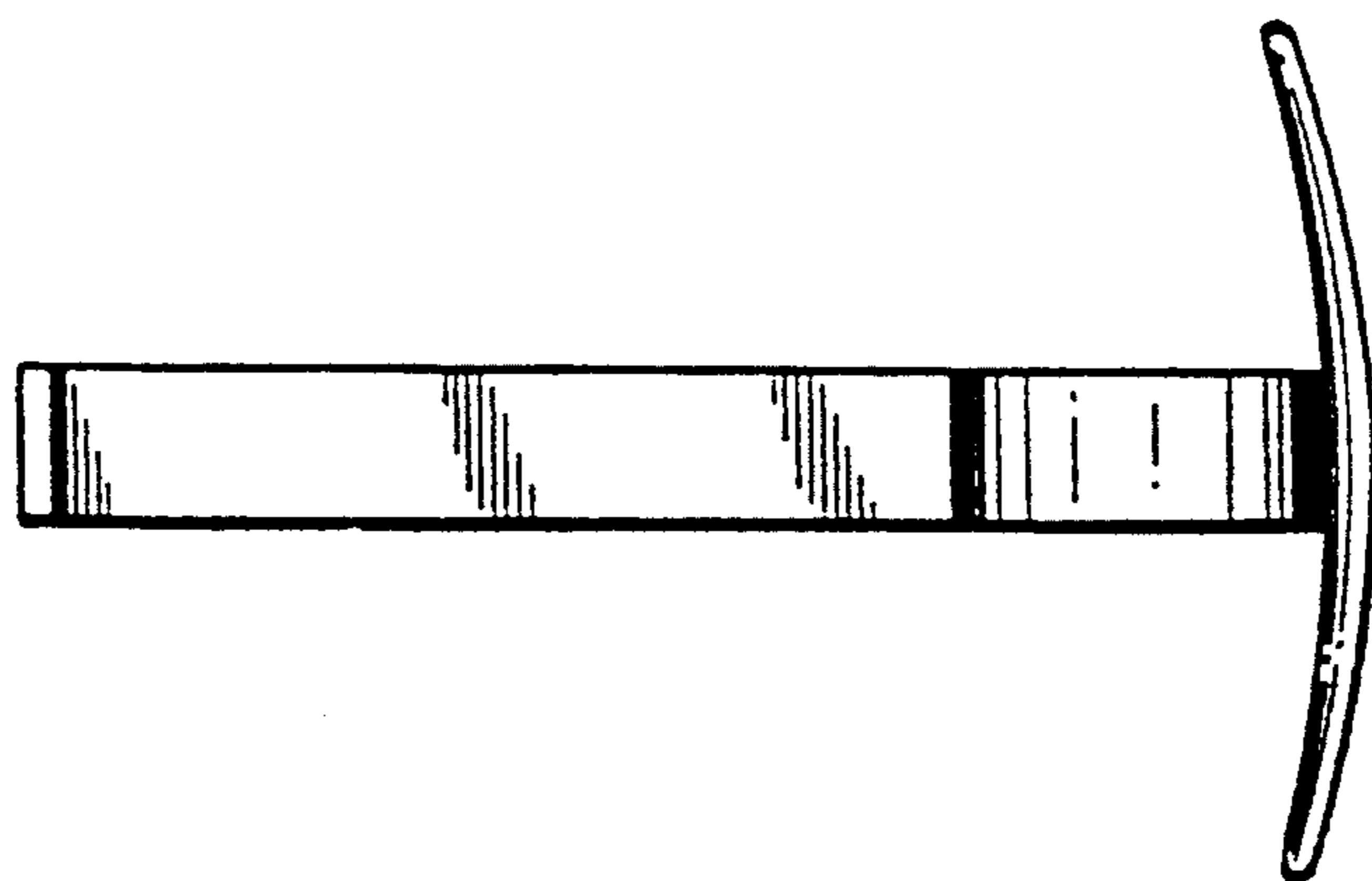


FIG. 7