



US00D348602S

United States Patent [19]
Carsello

[11] **Patent Number: Des. 348,602**
[45] **Date of Patent: ** Jul. 12, 1994**

[54] **DOOR KNOB**

[75] **Inventor: Anthony J. Carsello, Chino, Calif.**

[73] **Assignee: Emhart Inc., Newark, Del.**

[**] **Term: 14 Years**

[21] **Appl. No.: 922,094**

[22] **Filed: Jul. 31, 1992**

[52] **U.S. Cl. D8/310**

[58] **Field of Search D8/300, 307, 310-312;
160/110 R, 121; 292/347**

[56] **References Cited**
U.S. PATENT DOCUMENTS

- D. 2,838 11/1867 Euteneuer .
- D. 179,458 12/1956 Ohno .
- D. 180,188 8/1957 Clayton .
- 2,797,950 7/1957 Michael .

OTHER PUBLICATIONS

Russwin Architectural Hardware Cat. No. 23; ©1985; pp. 7-3; Dade Knob.
Schlage Co. Cat.; © 1979; inside front cover, Plymouth Knob.
"Home" magazine; Sep. 1983; p. 76; Knob (upper right).
Kwikset Corporation; Keyed Knob; Apr. 17, 1986; Drawing No. 599,401.
Kwikset Corporation; Assembly-Keyed Knob; Sep. 23, 1987; Drawing No. 516.100.

Primary Examiner—B. J. Bullock
Attorney, Agent, or Firm—Spencer T. Smith

[57] **CLAIM**

The ornamental design for a door knob, as shown and described.

DESCRIPTION

FIG. 1 is a front view of my new design of a door knob; FIG. 2 is a right side view of my new design of the door knob, a left side view being a mirror image thereof; FIG. 3 is a top view of my new design of the door knob, a bottom view being a mirror image thereof; and, FIG. 4 is a rear view of my new design of the door knob.

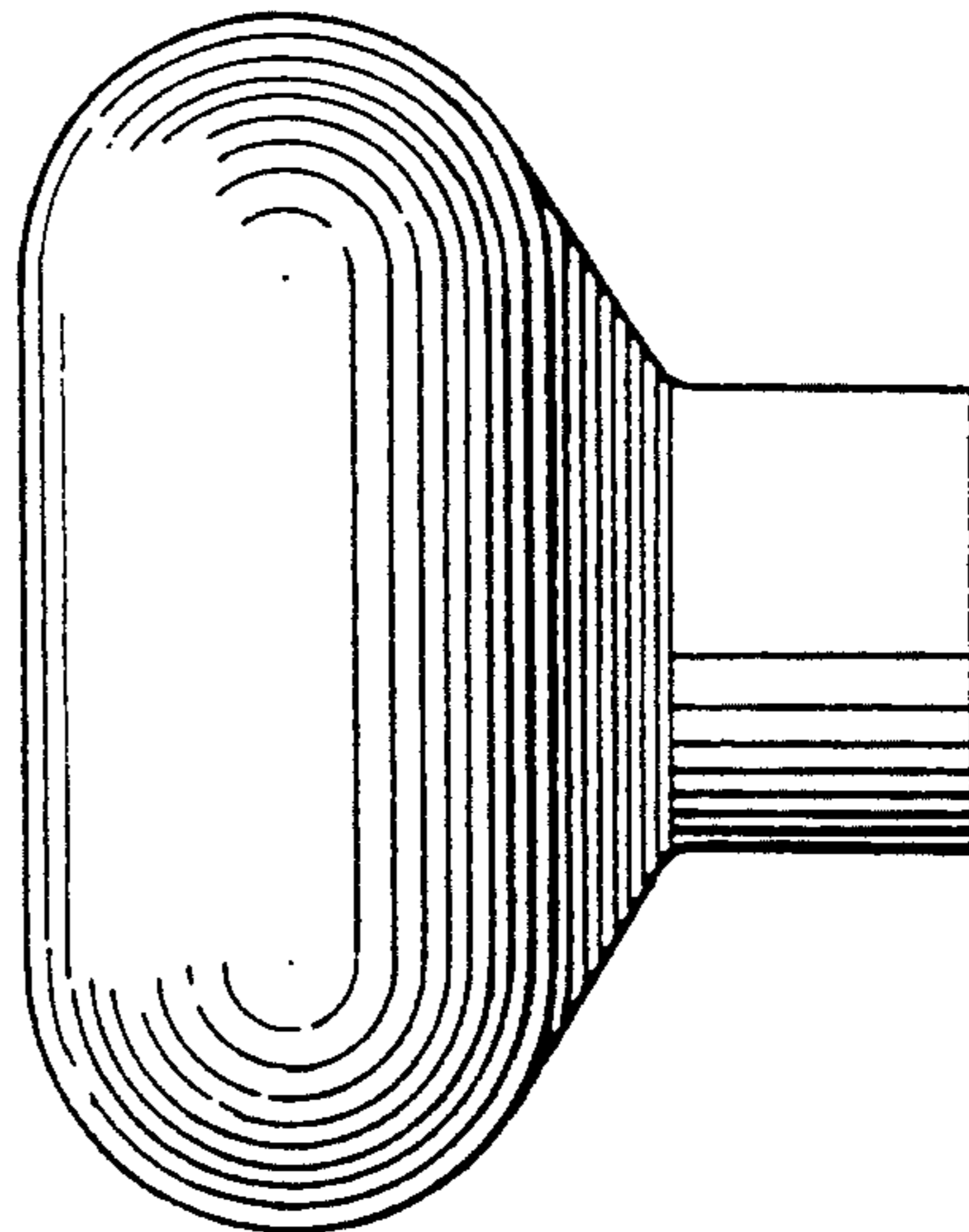
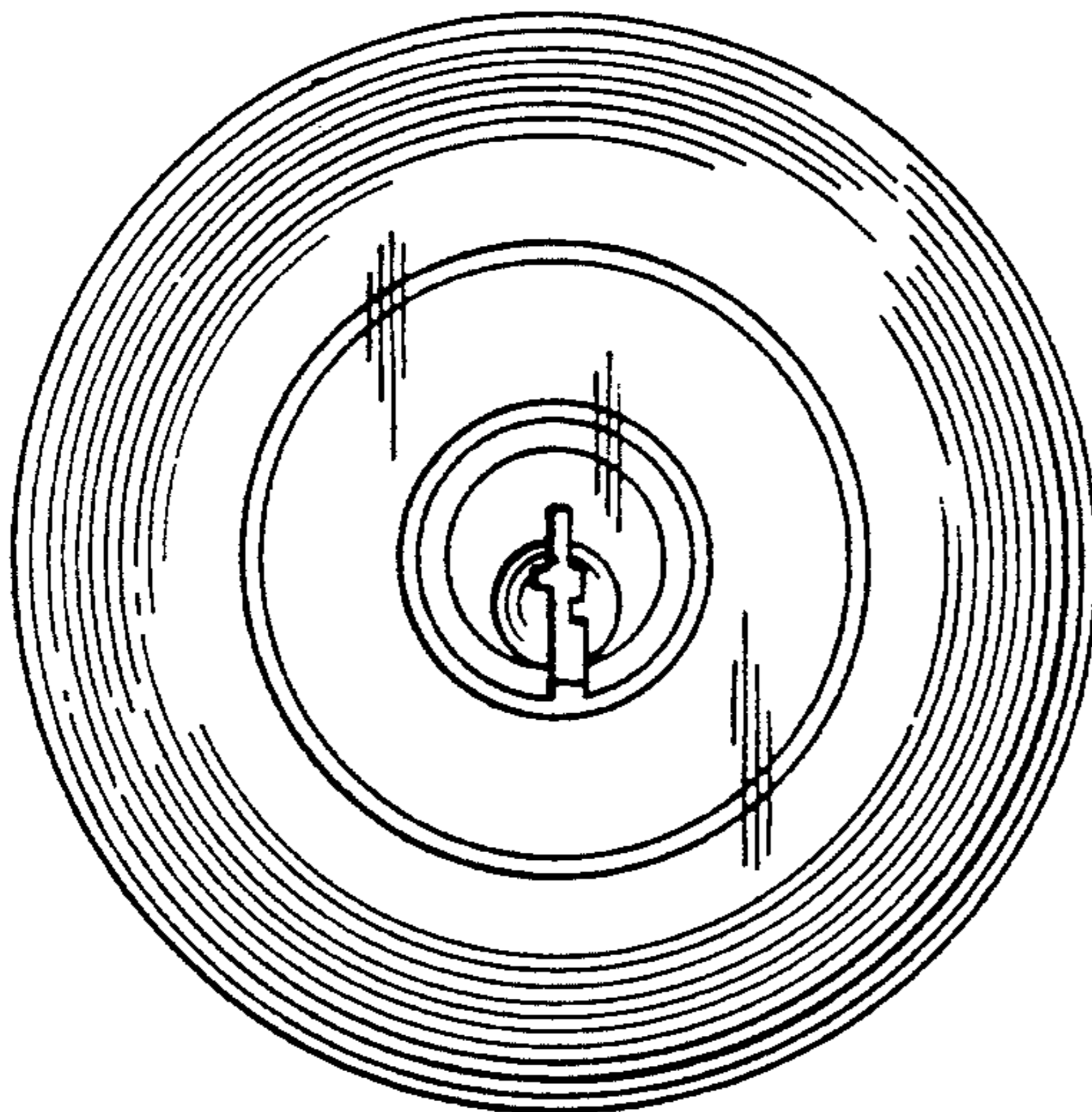


Fig. 1

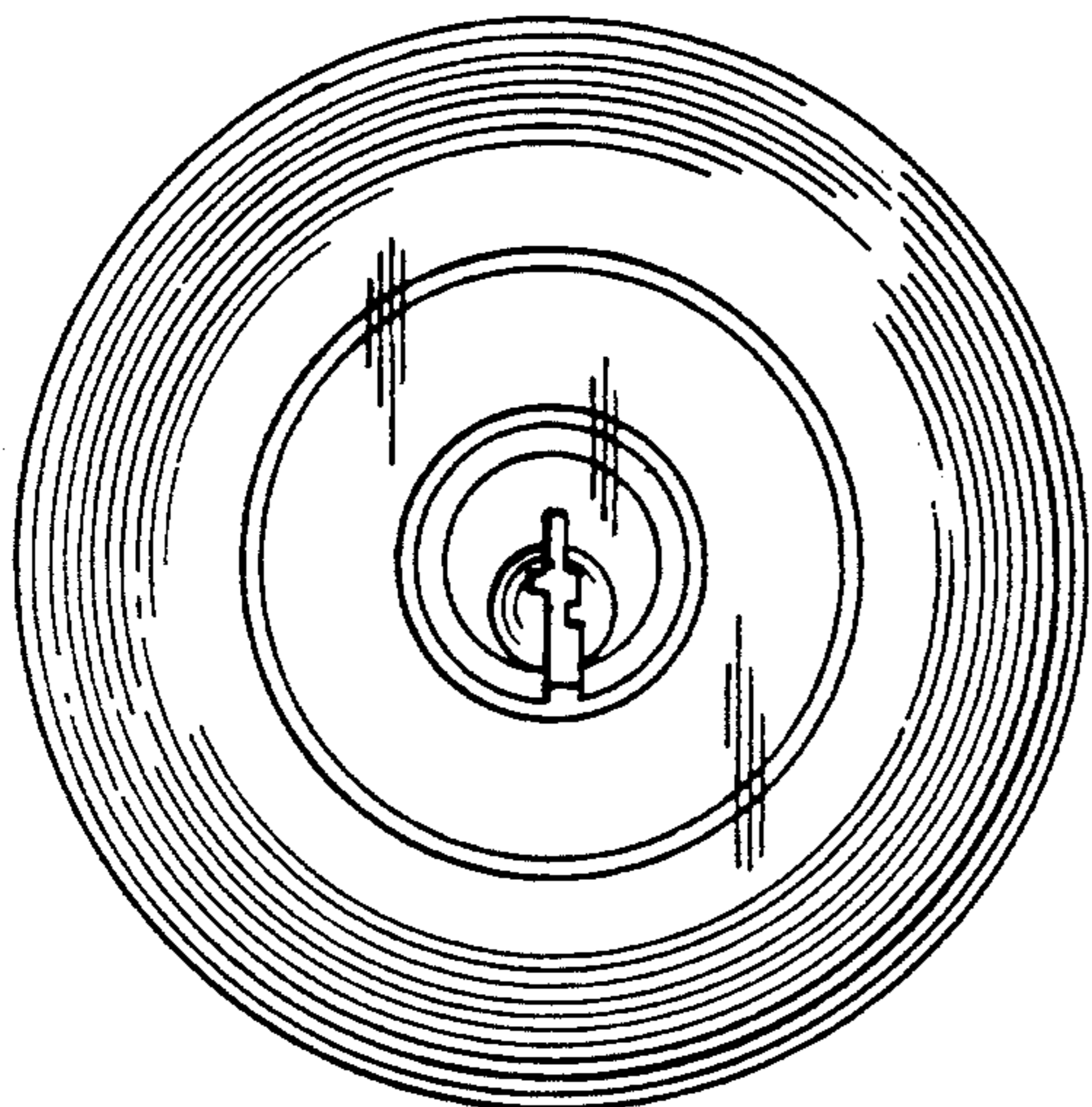


Fig. 2

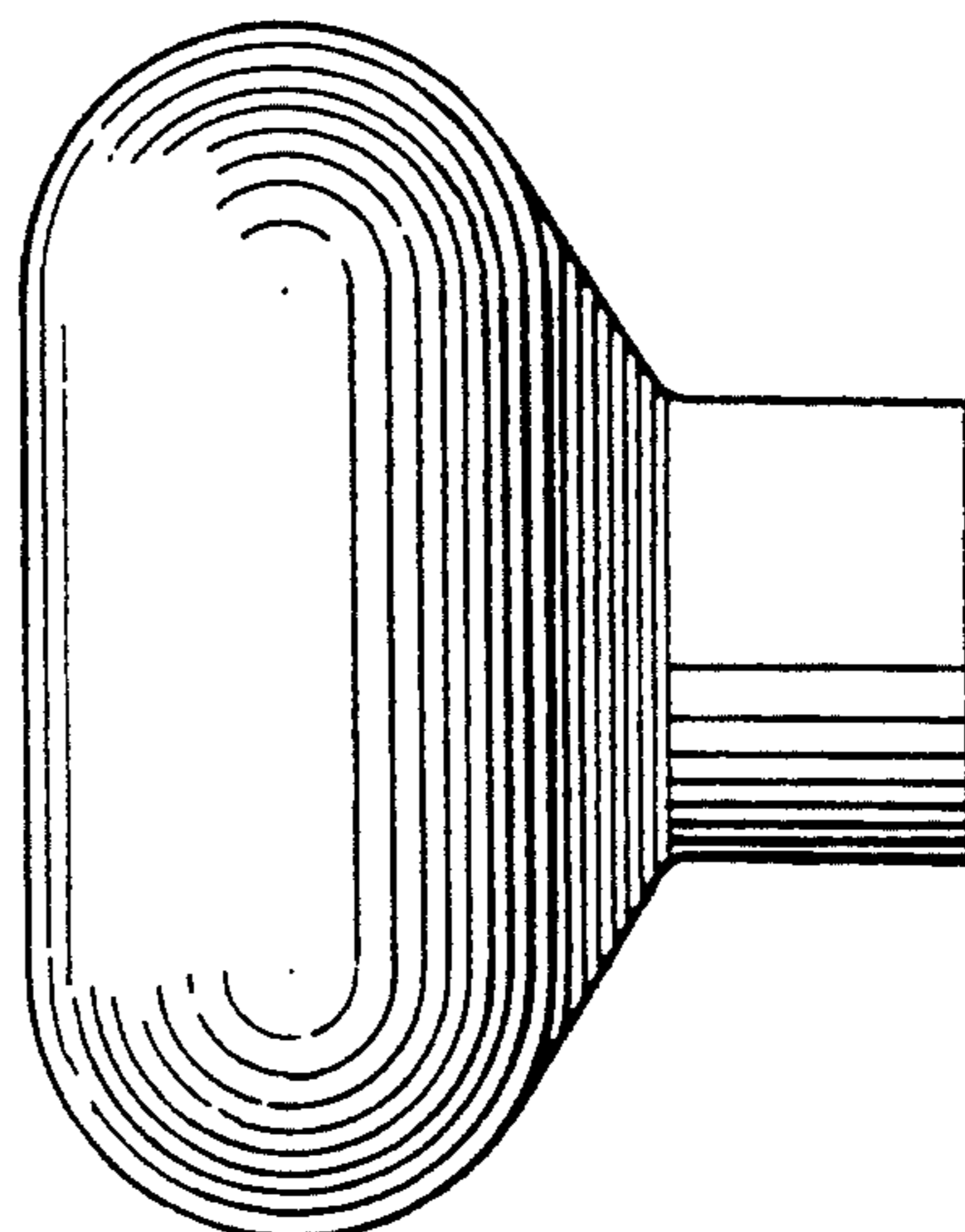


Fig. 3

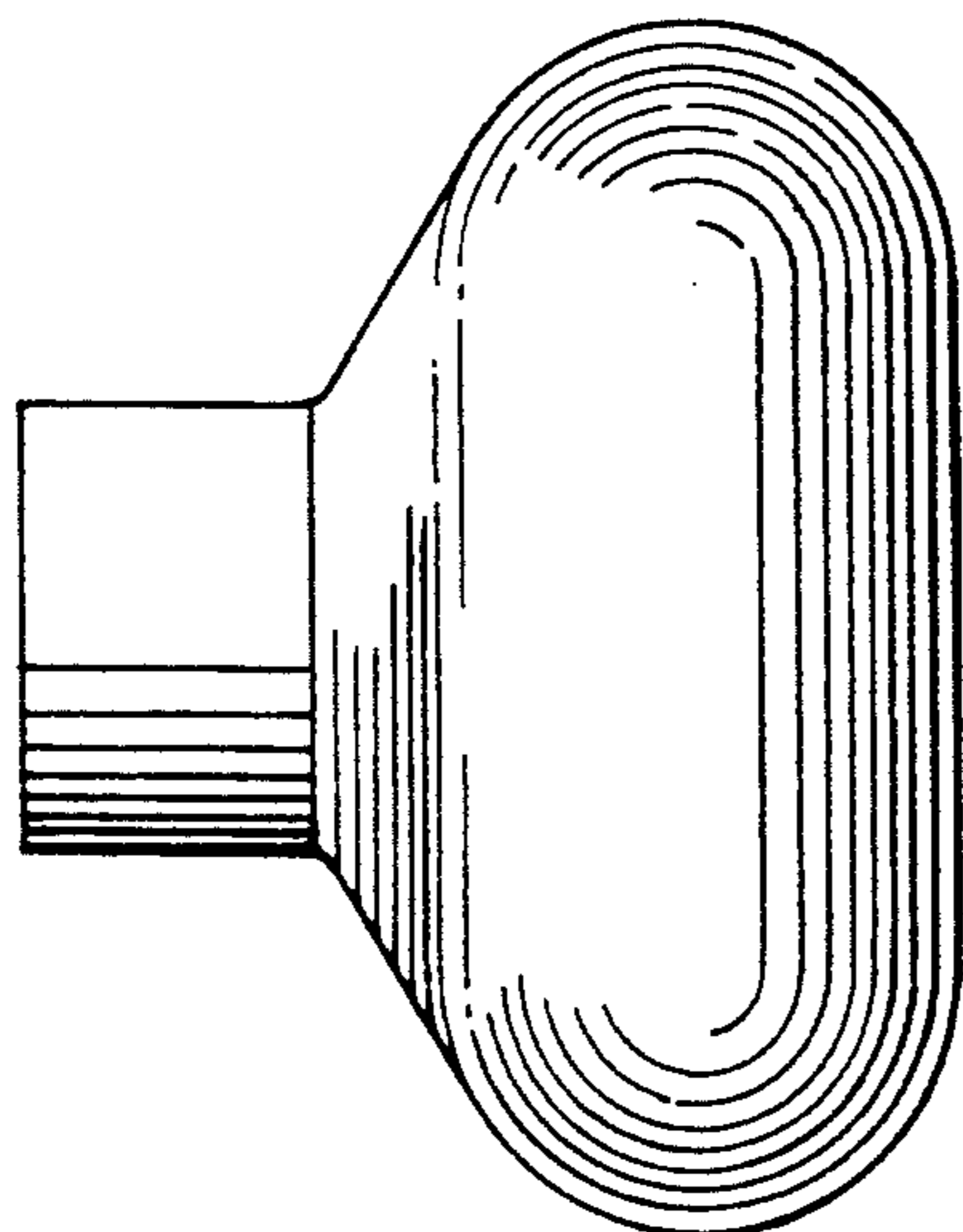


Fig. 4

