



US00D348591S

United States Patent [19]

[11] Patent Number: **Des. 348,591**

Willis

[45] Date of Patent: **** Jul. 12, 1994**

[54] **COMBINED CUTTING BOARD WITH
DETACHABLE KNIFE
CLEANER/SHARPENER**

3,094,730 6/1963 Schwarz .
3,372,419 3/1968 Howey .
3,971,273 7/1976 Peters et al. D7/673 X

[76] Inventor: **Dennis L. Willis**, 1458 Green Valley Rd., Watsonville, Calif. 95076

Primary Examiner—Alan P. Douglas
Assistant Examiner—Caron D. Veynar
Attorney, Agent, or Firm—Terry M. Gernstein

[**] Term: **14 Years**

[57] **CLAIM**

[21] Appl. No.: **2,959**

The ornamental design for a combined cutting board with detachable knife cleaner/sharpener, as shown and described.

[22] Filed: **Dec. 23, 1992**

[52] U.S. Cl. **D7/698; D7/673;
D8/93**

DESCRIPTION

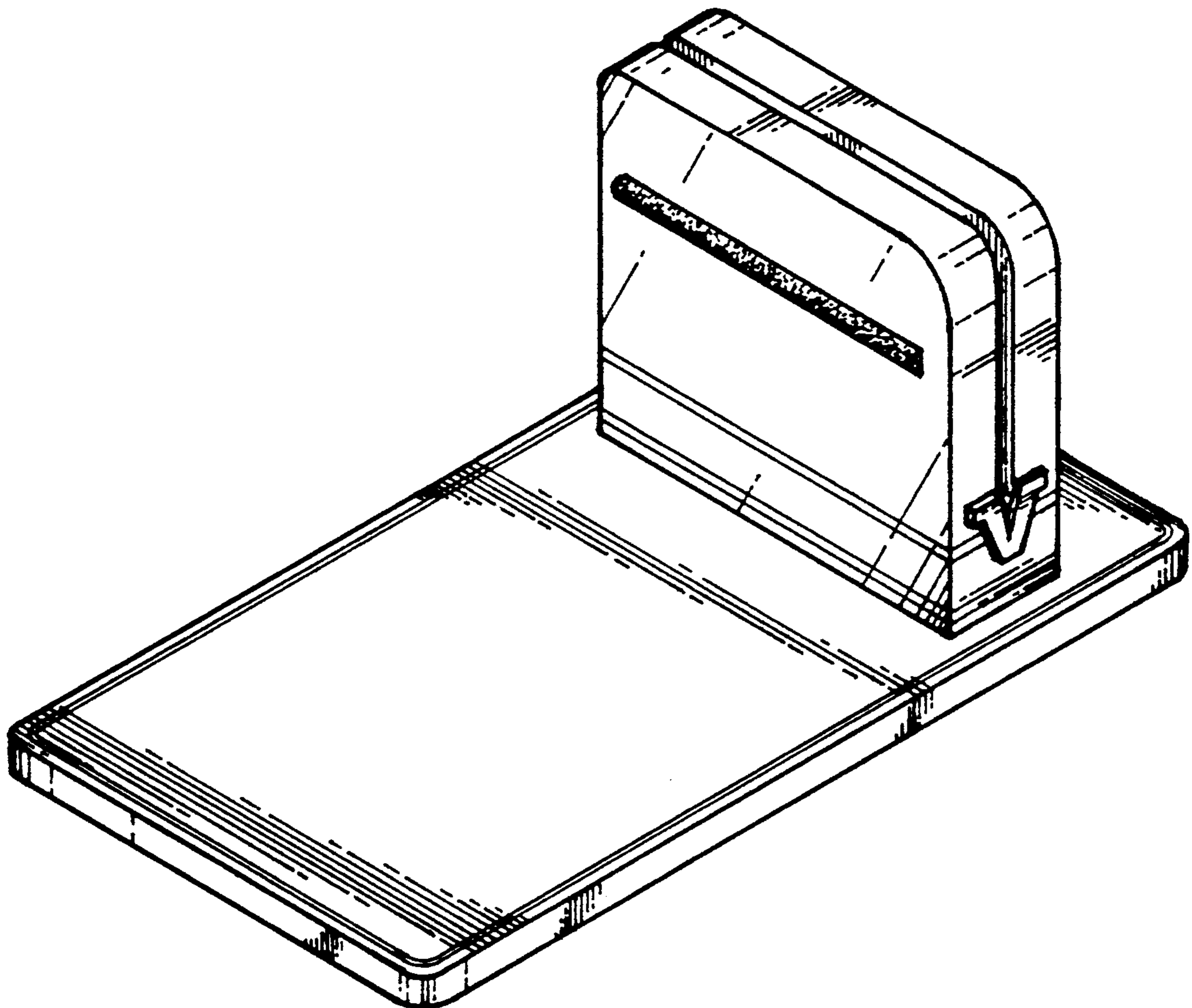
[58] **Field of Search** **D7/698, 673; D8/93,
D8/91; 269/289 R, 291, 292, 295, 297, 302.1,
303, 900, 902**

FIG. 1 is a front, top and side perspective view of the combined cutting board with detachable knife cleaner/sharpener showing my new design;
FIG. 2 is a front elevational view thereof, the rear being a mirror image of the front shown in FIG. 2;
FIG. 3 is a left side elevational view thereof;
FIG. 4 is a right side elevational view thereof;
FIG. 5 is a top plan view thereof; and,
FIG. 6 is a bottom plan view thereof.

[56] **References Cited**

U.S. PATENT DOCUMENTS

D. 135,457 4/1943 Generale D7/673
682,456 9/1901 Corriveau 269/291 X
2,719,313 10/1955 Smith .



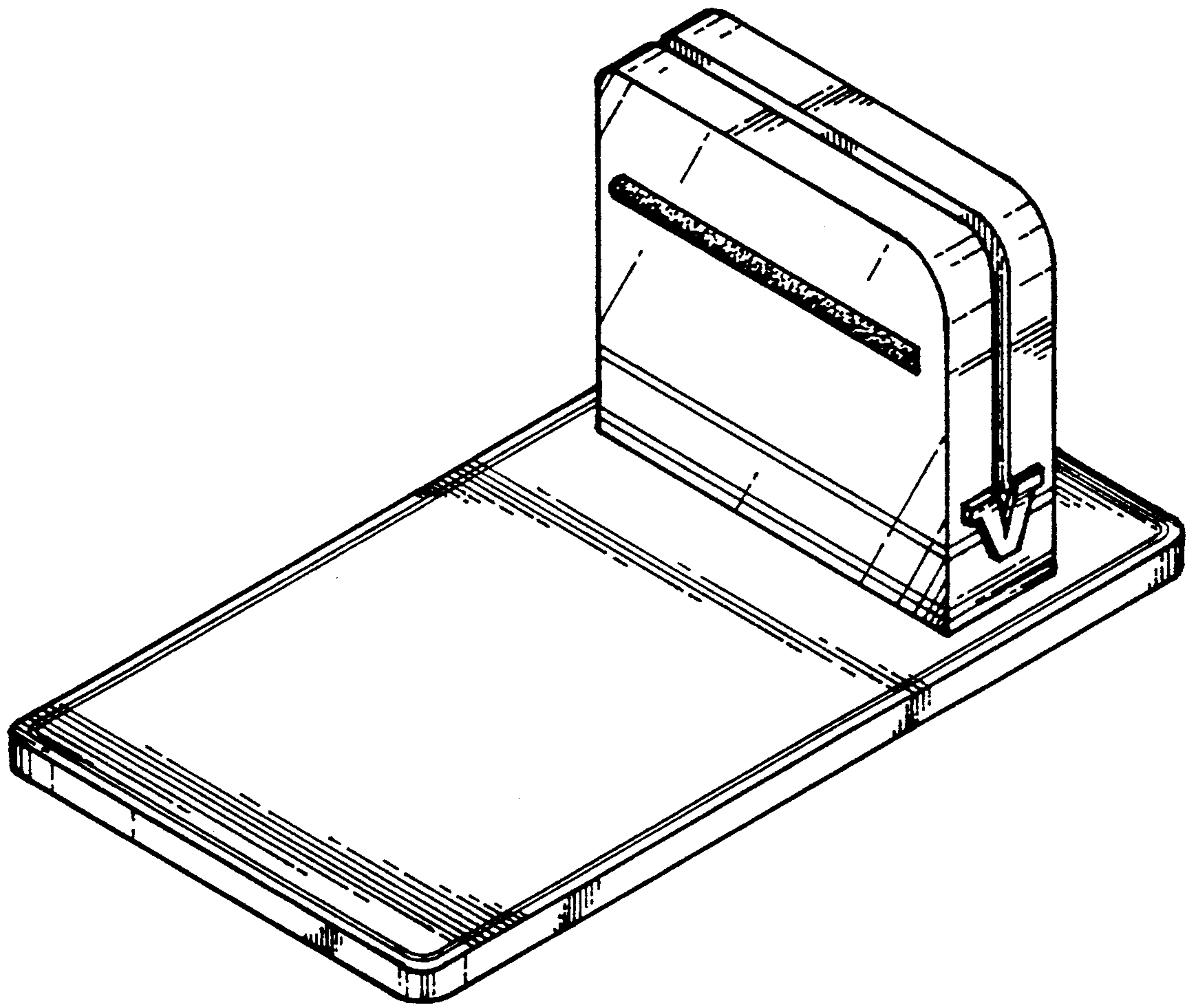


FIG.1

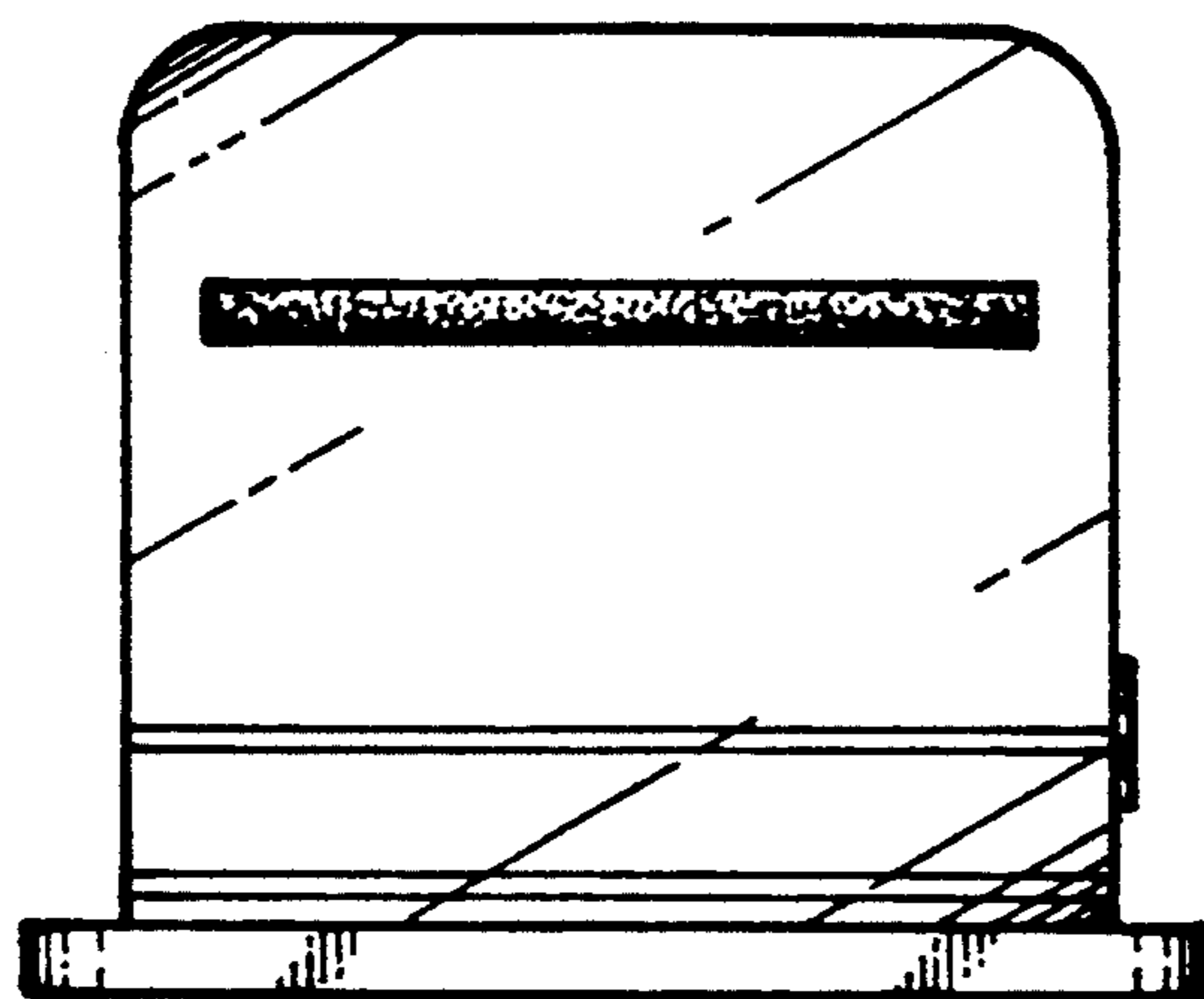


FIG. 2

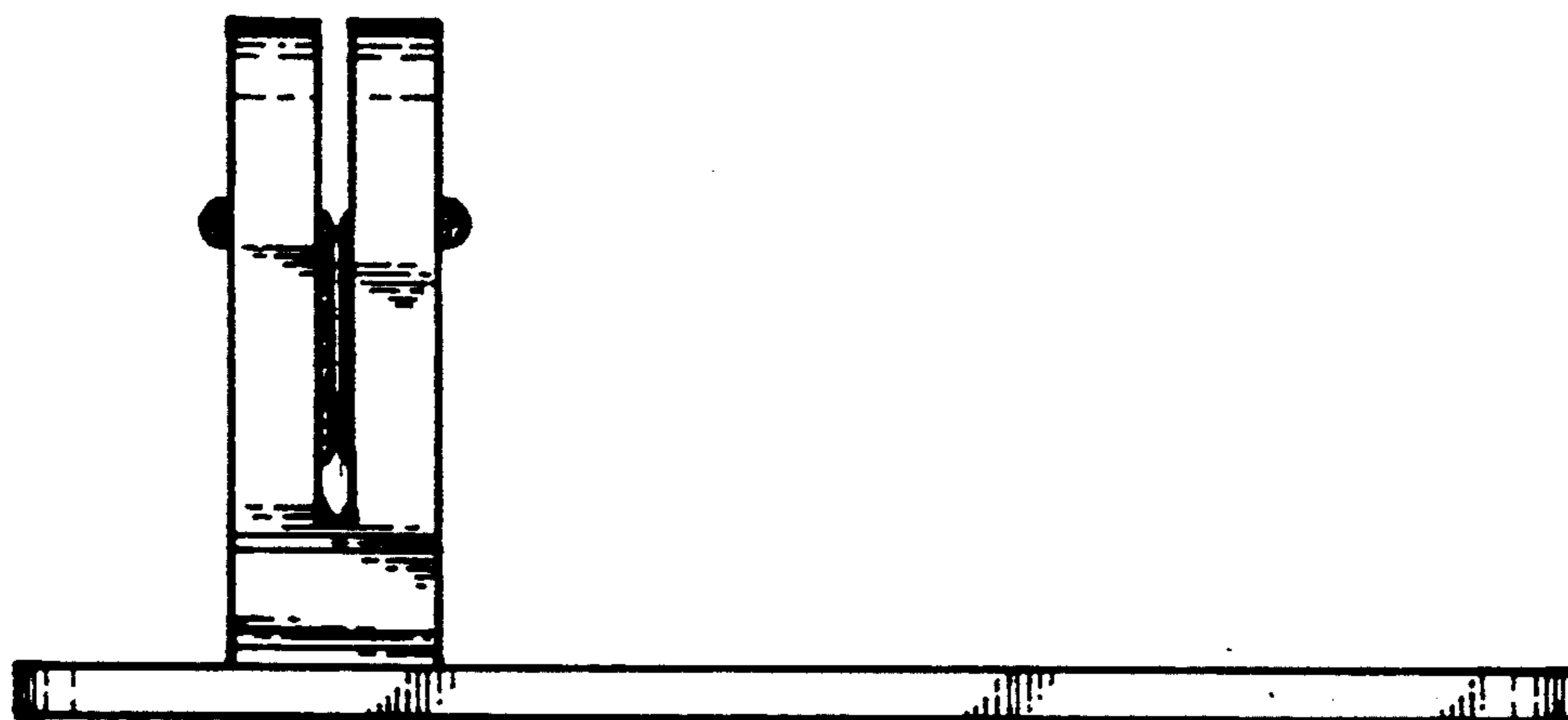


FIG. 3

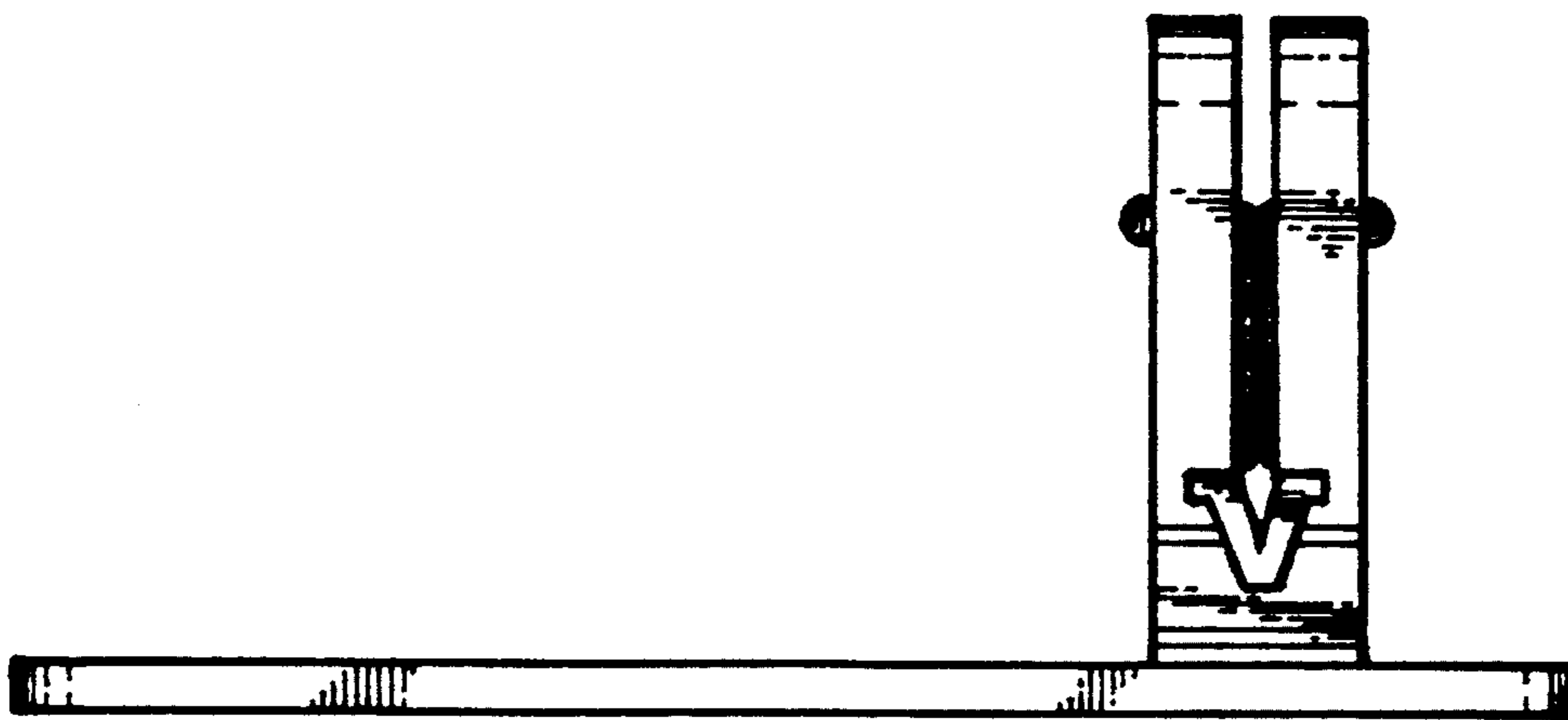


FIG. 4

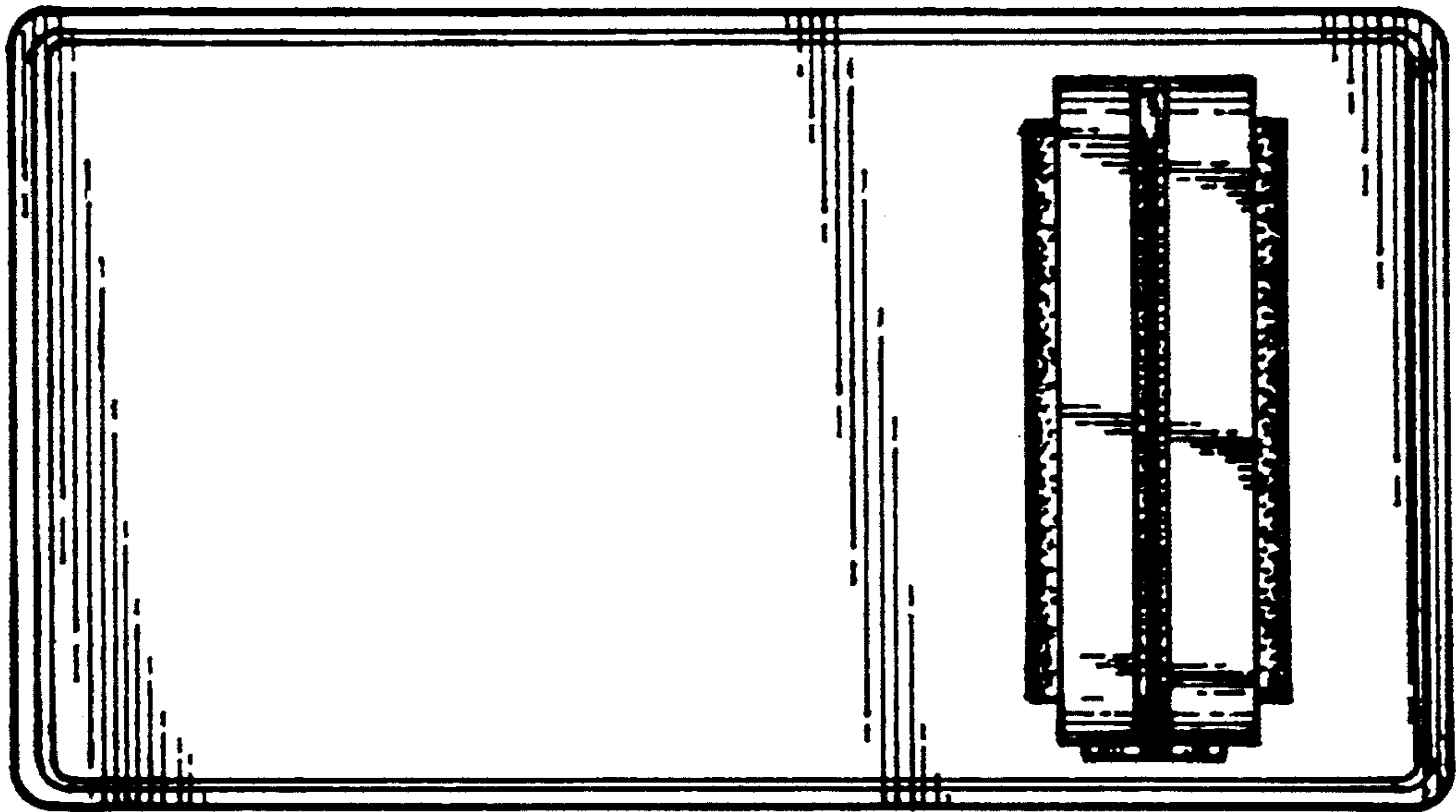


FIG. 5

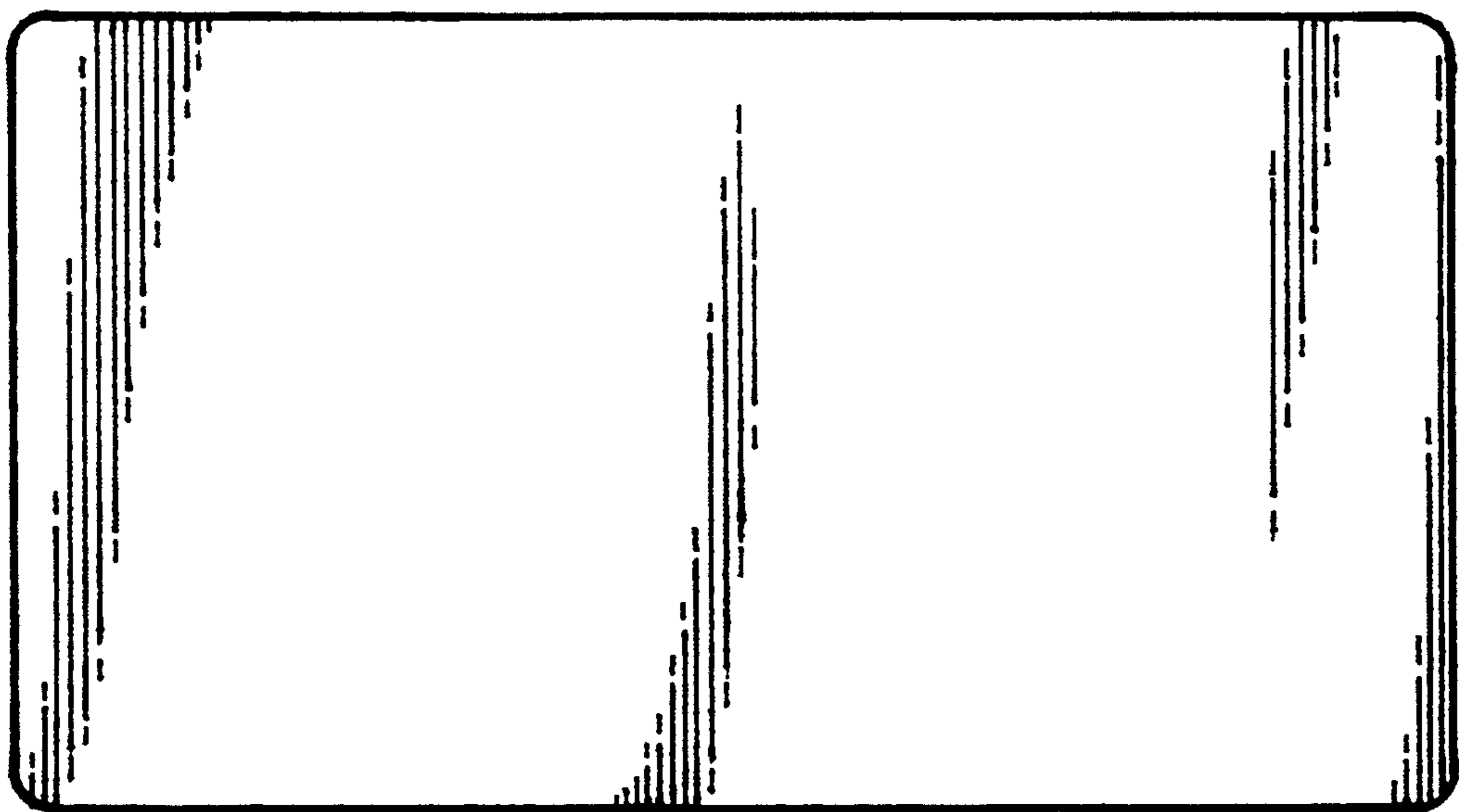


FIG. 6