



US00D348588S

# United States Patent [19]

[11] Patent Number: **Des. 348,588**

**Yasunaga**

[45] Date of Patent: **\*\* Jul. 12, 1994**

[54] **COFFEE CUP**

[76] Inventor: **Kazuo Yasunaga**, 13-24,  
Morikawachinishi 1-chome, Higashi  
Osakashi, Osakafu, Japan

2,586,199	2/1952	Backus	.....	D7/535 X
2,640,337	6/1953	Bryant	.....	D7/510 X
2,765,639	10/1956	Bryant	.....	D7/510 X
3,400,855	9/1968	Alexander	.....	220/719
5,150,816	9/1992	Decastro	.....	220/719 X

[\*\*] Term: **14 Years**

*Primary Examiner*—Alan P. Douglas  
*Assistant Examiner*—M. N. Pandozzi  
*Attorney, Agent, or Firm*—Nikaido, Marmelstein,  
Murray & Oram

[21] Appl. No.: **913**

[22] Filed: **Oct. 29, 1992**

[52] U.S. Cl. .... **D7/510; D7/534**

[58] Field of Search ..... **D7/500, 505, 507, 509,  
D7/510, 511, 300.2, 514, 513, 515, 533, 534,  
535, 536, 543, 545; 220/719, 771, 772, 716**

[57] **CLAIM**

The ornamental design for a coffee cup, as shown and described.

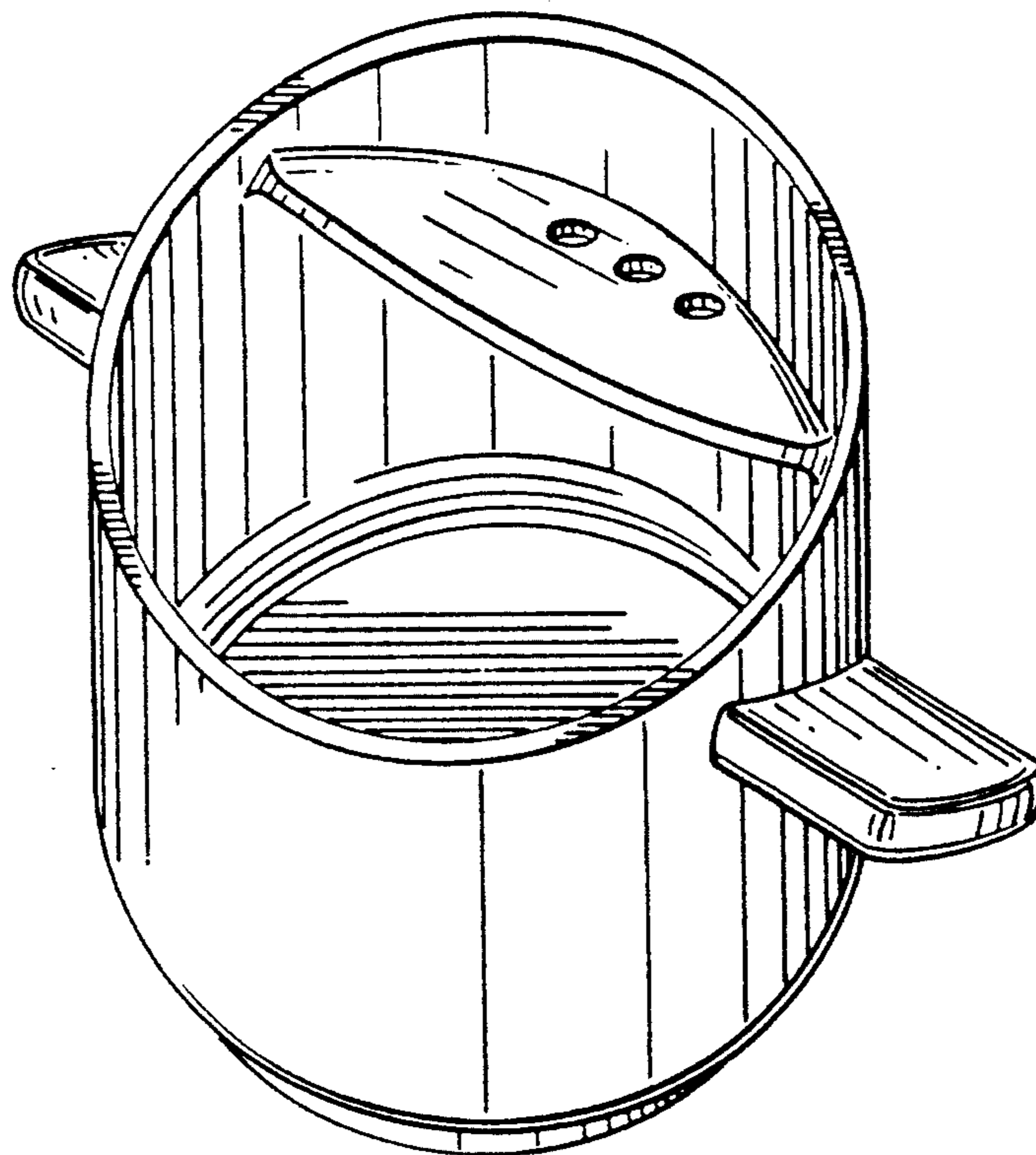
[56] **References Cited**

### U.S. PATENT DOCUMENTS

D. 144,905	6/1946	Cameron	.....	D7/535
D. 188,862	9/1960	Miller	.....	D7/513
D. 216,730	3/1970	Carslaw	.....	D7/510
D. 247,840	5/1978	Dixson	.....	D7/510
D. 306,387	3/1990	Junkman	.....	D7/534
D. 316,652	5/1991	Hunter	.....	D7/510

### DESCRIPTION

FIG. 1 is a rear, right perspective view of a first embodiment showing my new design;  
FIG. 2 is a left side view thereof, the right side view being a mirror image;  
FIG. 3 is a front view thereof;  
FIG. 4 is a rear view thereof;  
FIG. 5 is a top plan view thereof; and,  
FIG. 6 is a bottom view thereof.



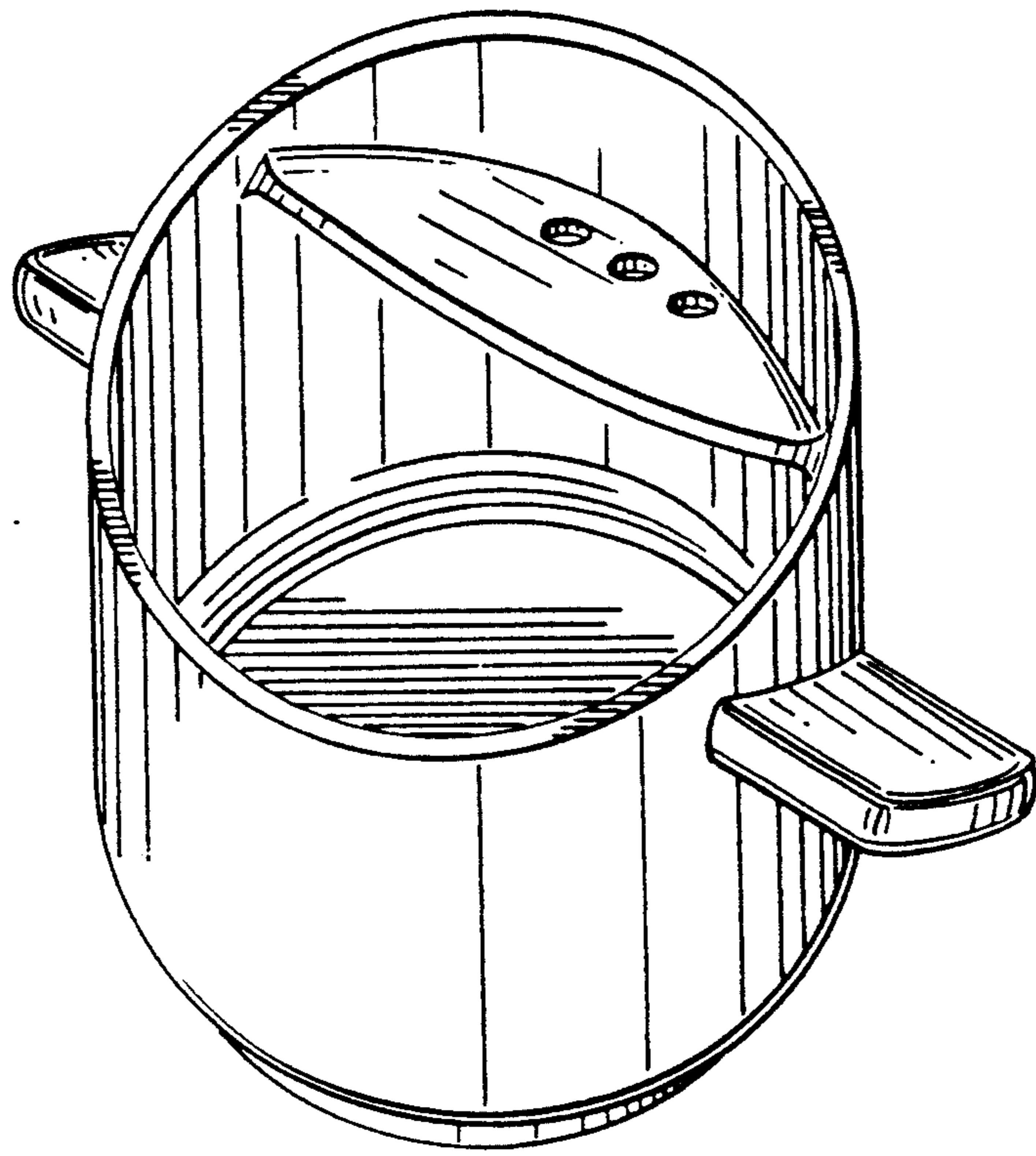


FIG. 1

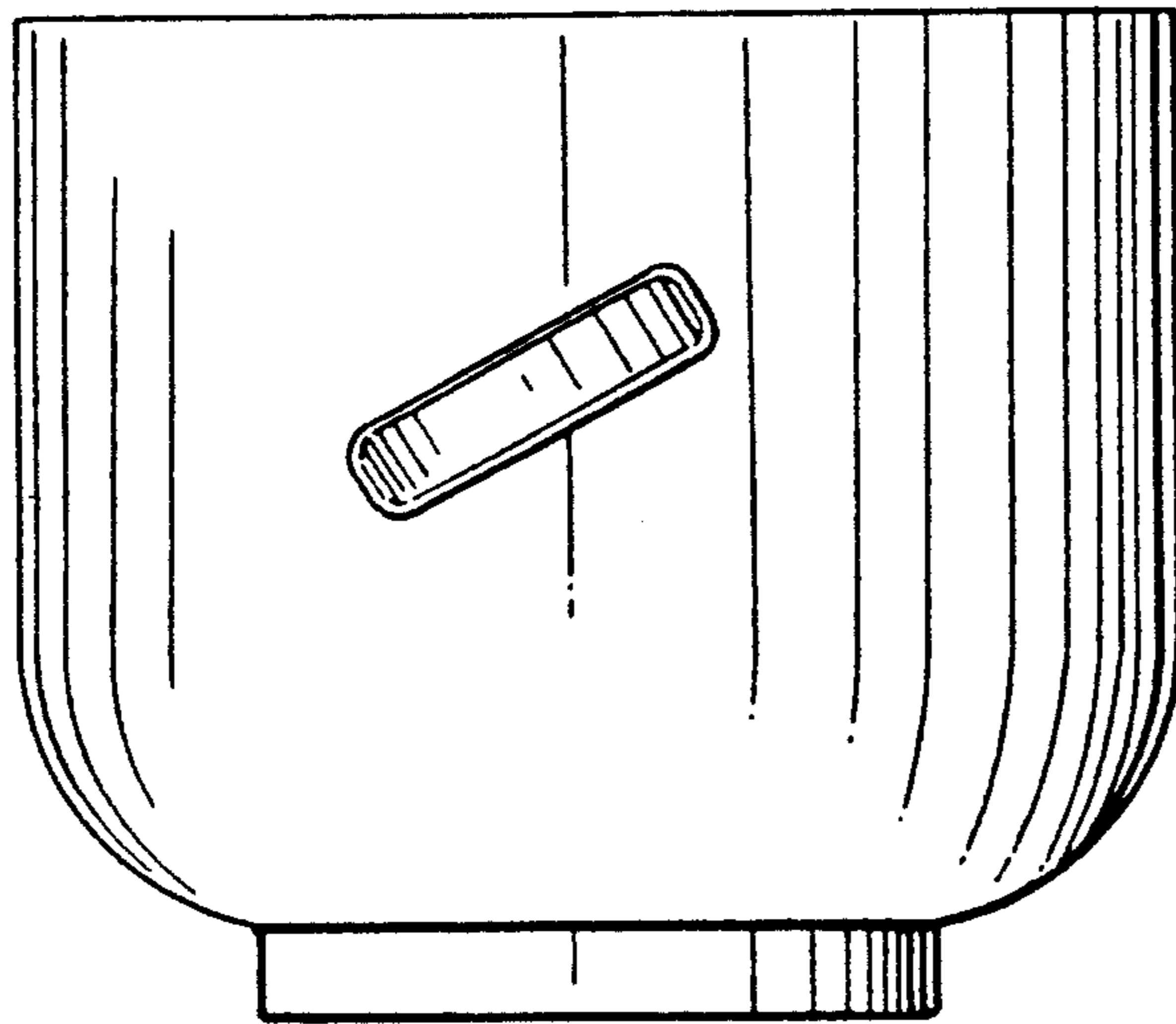


FIG. 2

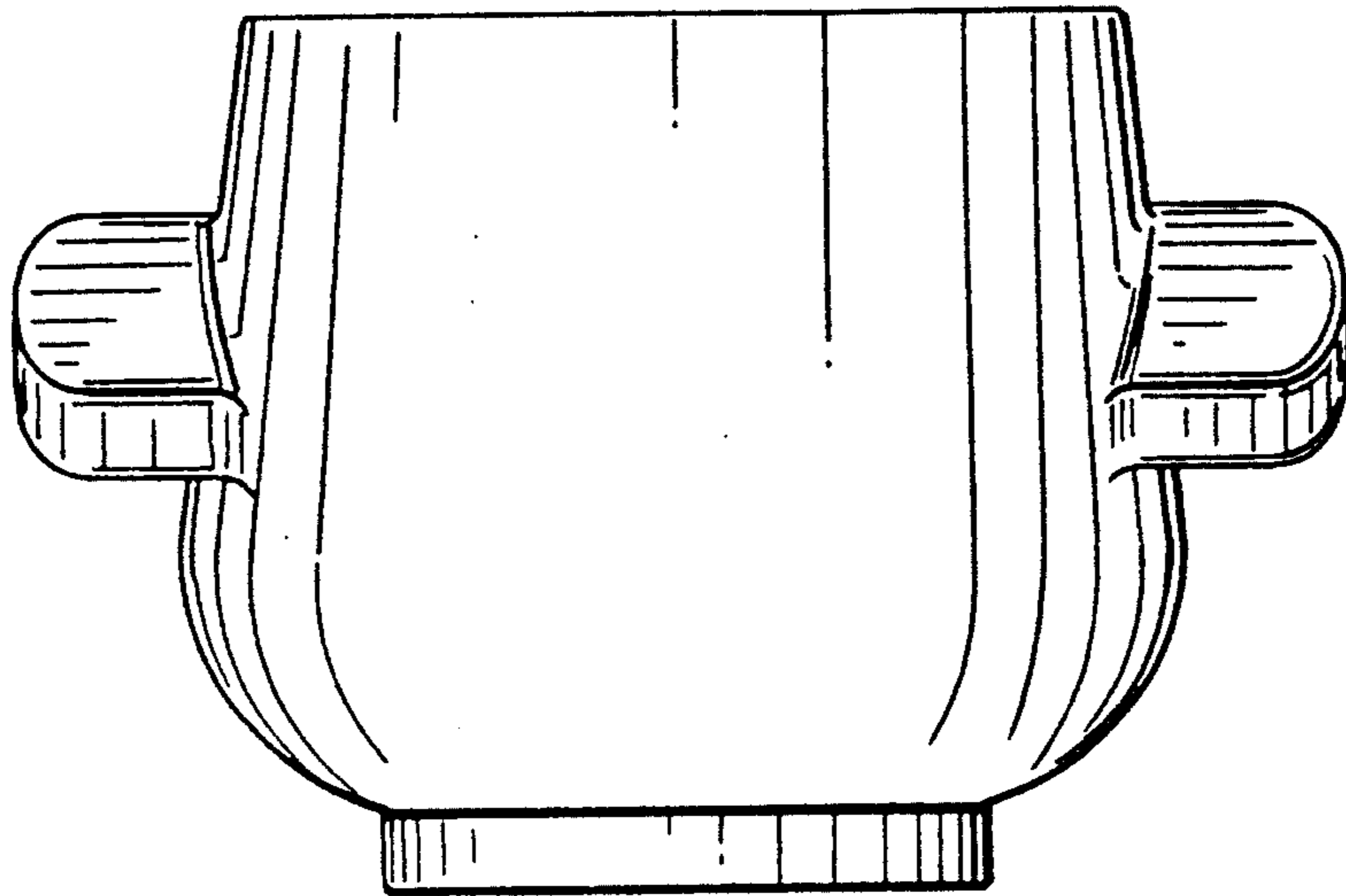


FIG. 3

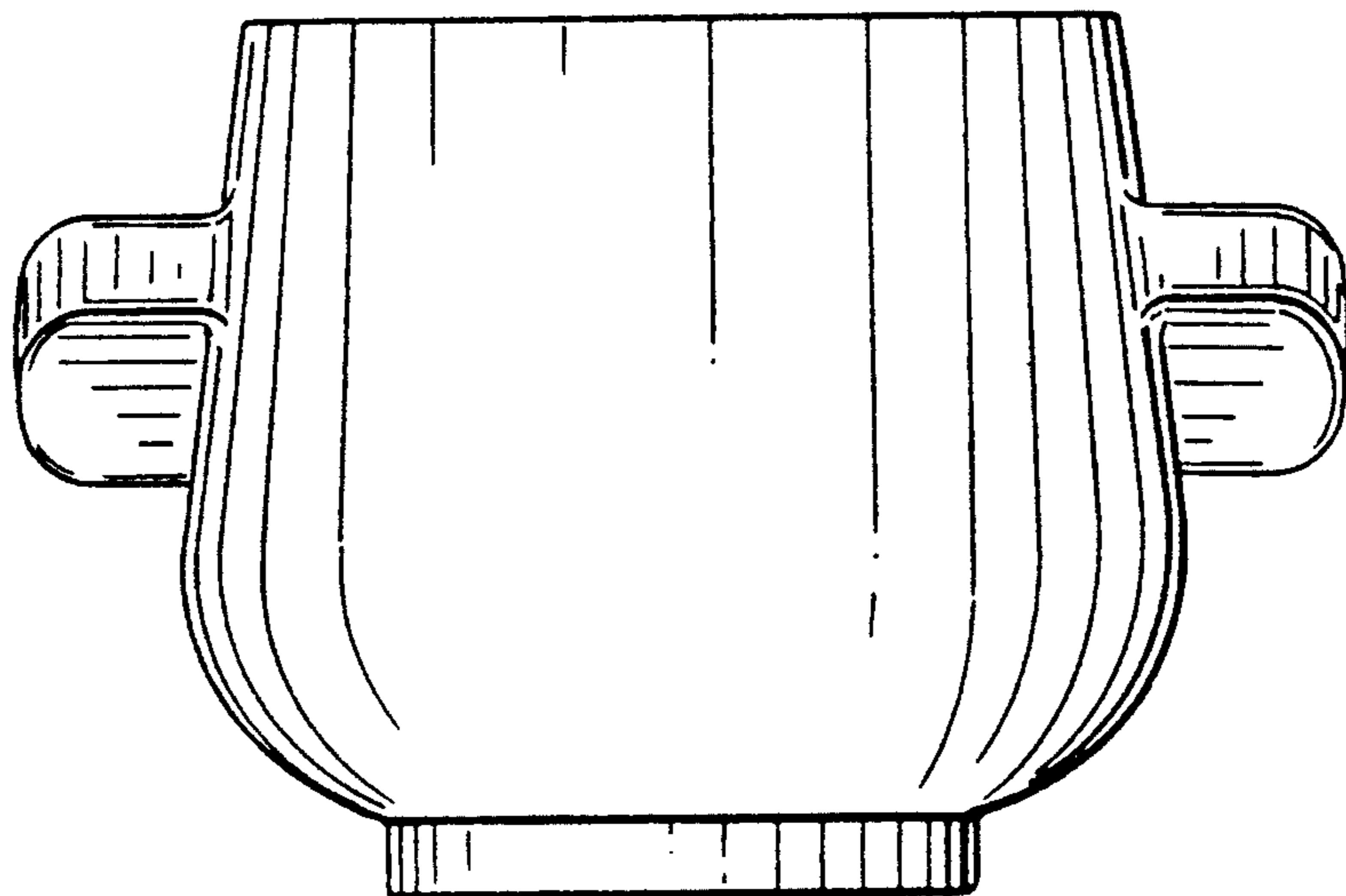


FIG. 4

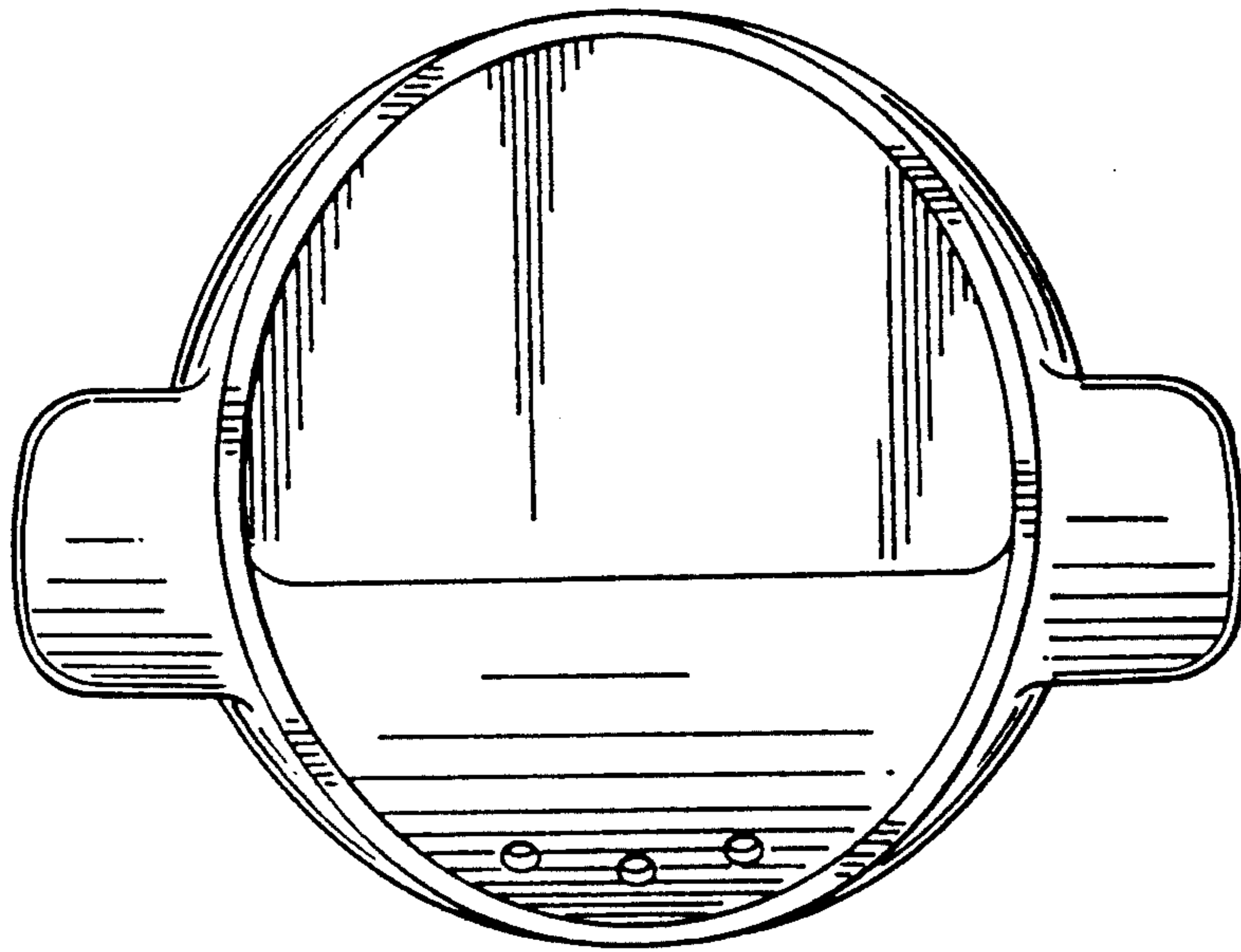


FIG. 5

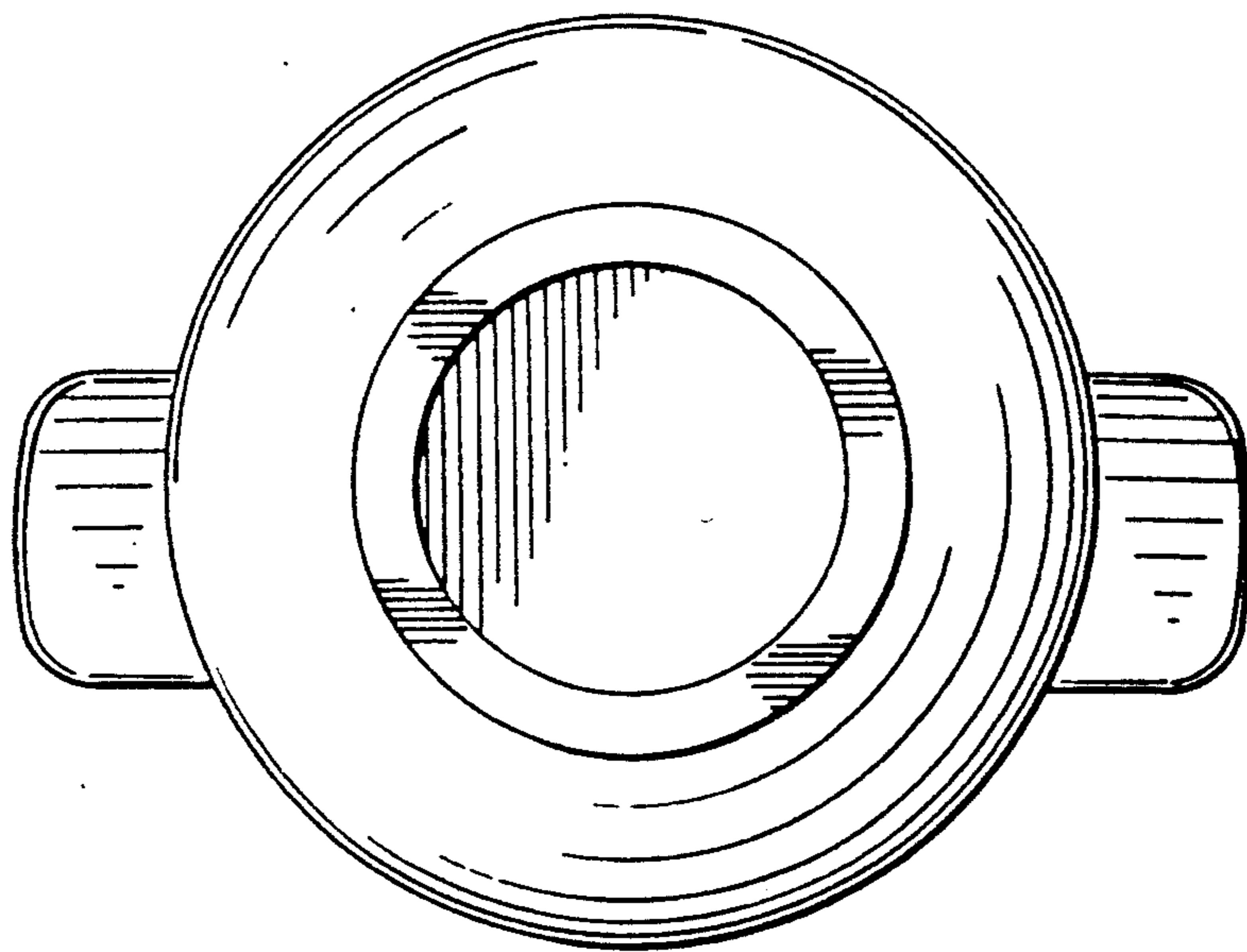


FIG. 6