



US00D348586S

United States Patent [19]

[11] Patent Number: **Des. 348,586**

Menegozzo

[45] Date of Patent: **** Jul. 12, 1994**

[54] **COFFEE POT**

[75] Inventor: **Cesare Menegozzo, Turin, Italy**

[73] Assignee: **Luigi Lavazza S.p.A., Turin, Italy**

[**] Term: **14 Years**

[21] Appl. No.: **2,364**

[22] Filed: **Dec. 9, 1992**

[30] **Foreign Application Priority Data**

Jun. 22, 1992 [IT] Italy DMA/001821

[52] U.S. Cl. **D7/318; D7/317; D7/316**

[58] **Field of Search** **D7/322, 321, 319, 318, D7/317, 316, 312, 598, 600, 507, 538, 500, 509, 510, 511, 300, 539, 540, 542, 543, 534, 535, 612, 536, 613, 614, 393; 222/465.1, 469, 470, 471, 475.1; 220/709**

[56] **References Cited**

U.S. PATENT DOCUMENTS

- D. 69,815 4/1926 Bultman D7/538
- D. 92,668 7/1934 McArdle D7/317
- D. 98,855 3/1936 Forman D7/321 X
- D. 134,168 10/1942 Schneider D7/317
- D. 285,520 9/1986 Ferm et al. D7/321
- D. 288,654 3/1987 Nüsse D7/317

- D. 295,940 5/1988 Bellini D7/319 X
- D. 296,974 8/1988 Weernink D7/319 X
- D. 300,708 4/1989 Minuti D7/319 X
- D. 302,926 8/1989 Beeren D7/319 X
- D. 316,206 4/1991 Daenen et al. D7/319 X
- D. 328,546 8/1992 Unger D7/317
- D. 342,416 12/1993 Morgan D7/318 X
- D. 343,334 1/1994 Ancona et al. D7/318
- 4,852,762 8/1989 Chou-Sheng 220/709

OTHER PUBLICATIONS

Thermos Pitcher (top), HFD, Mar. 24, 1986, p. 46.

Primary Examiner—Nelson C. Holtje

Assistant Examiner—M. N. Pandozzi

Attorney, Agent, or Firm—Fish & Richardson

[57] **CLAIM**

The ornamental design for coffee pot, as shown.

DESCRIPTION

FIG. 1 is a right side view of a coffee pot showing my new design;

FIG. 2 is a left side view;

FIG. 3 is a rear view;

FIG. 4 is a front view;

FIG. 5 is a plan view;

FIG. 6 is a view from below; and,

FIG. 7 is a perspective view.

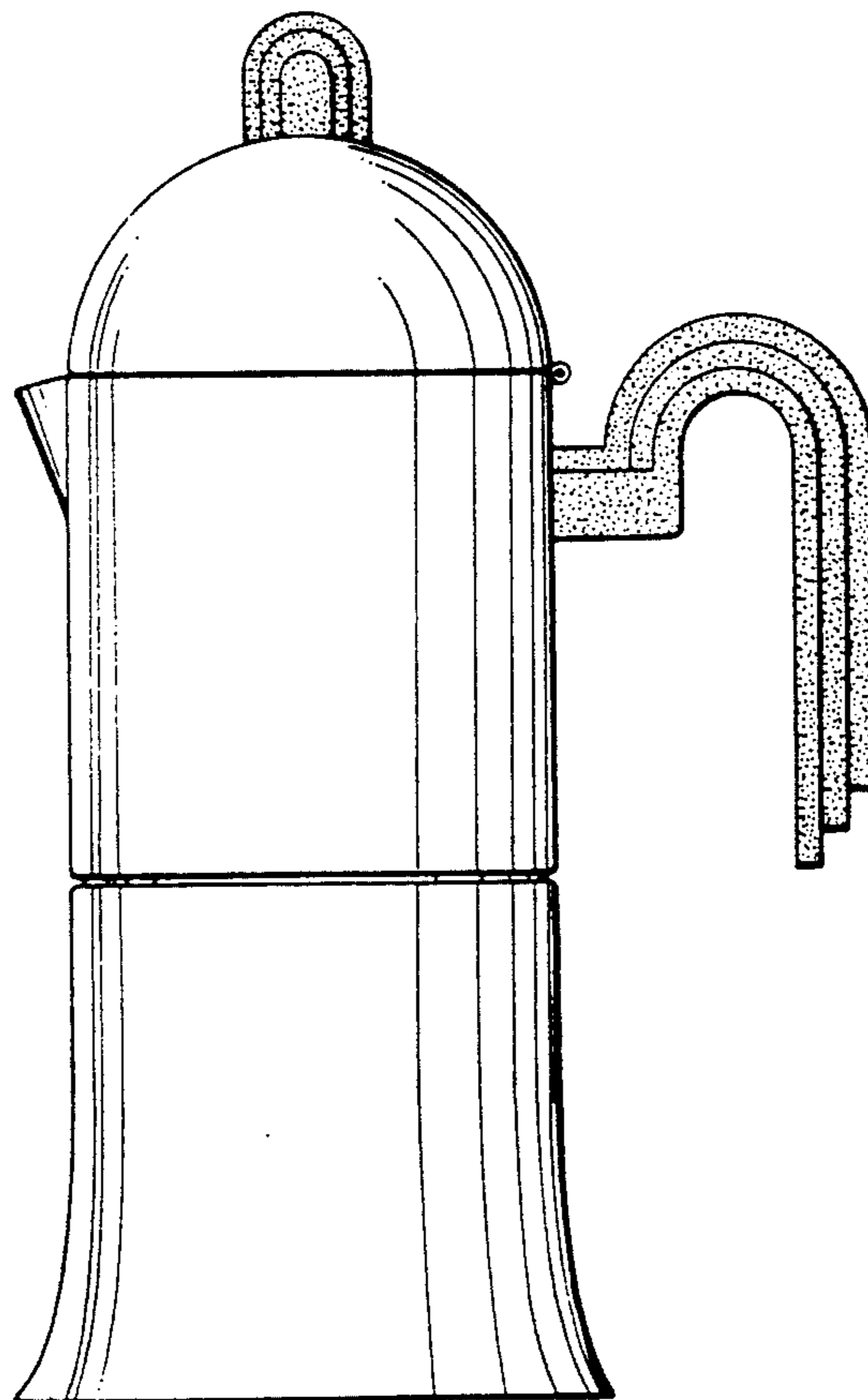


FIG. 1

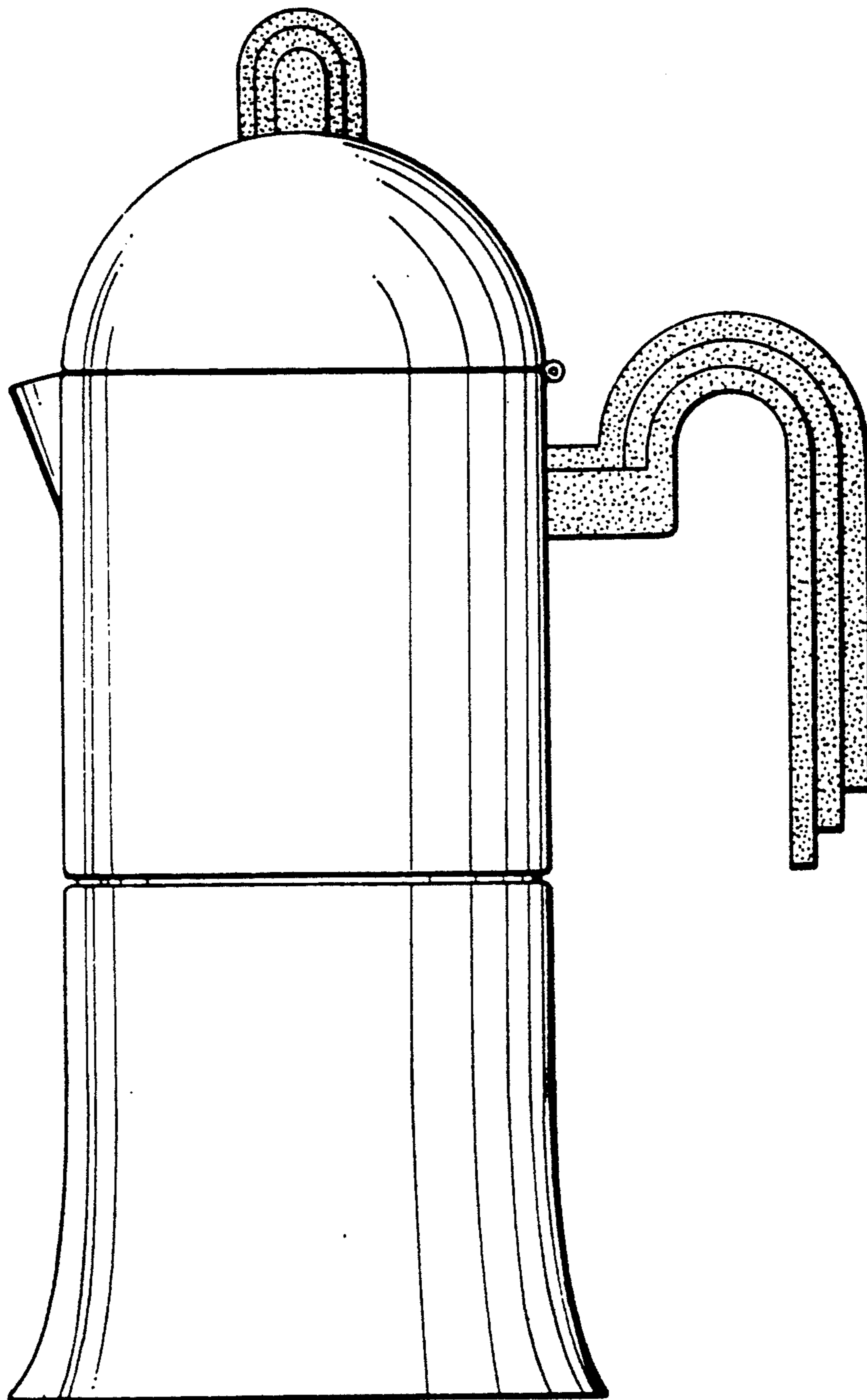


FIG. 2

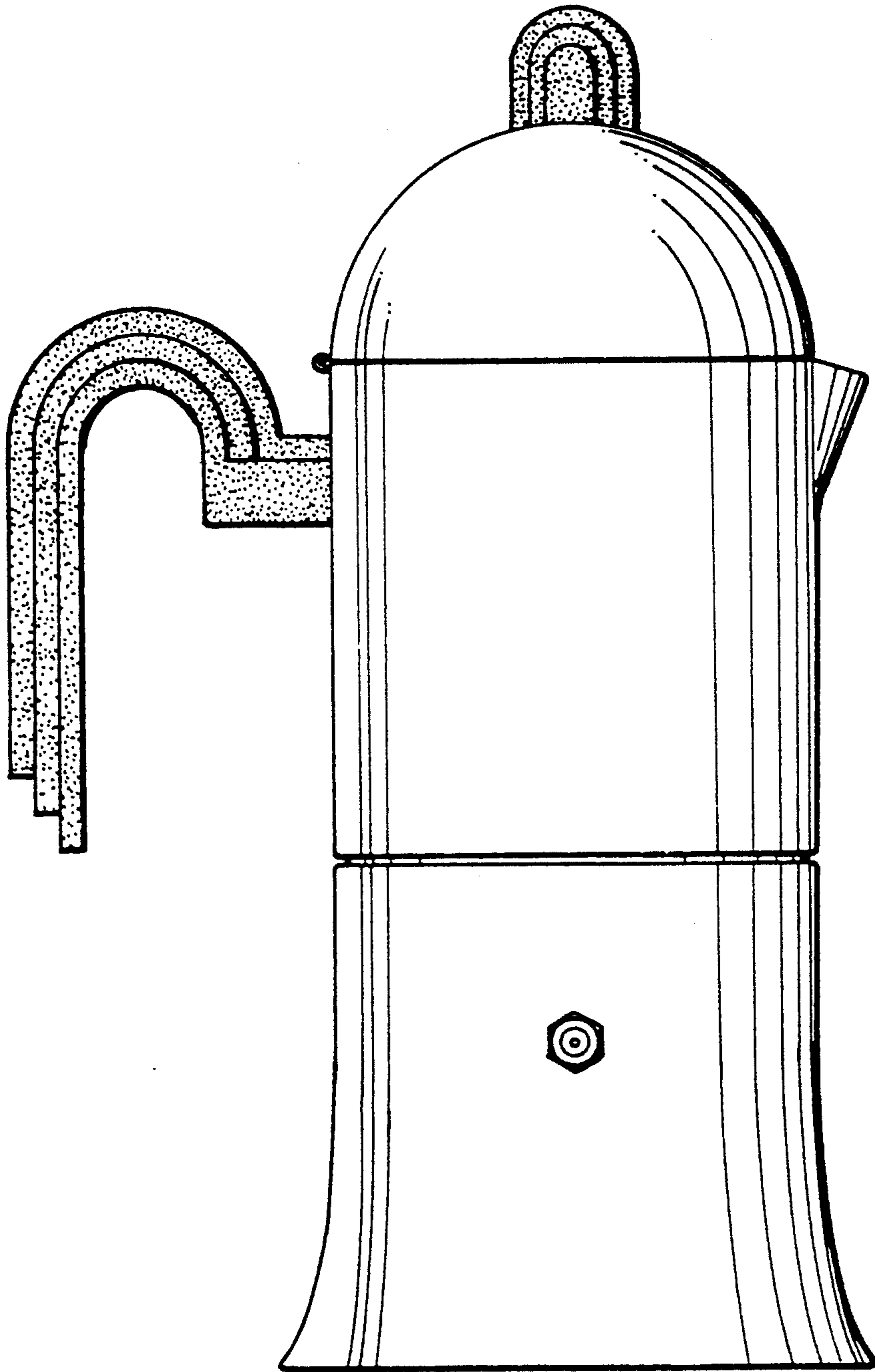


FIG. 3

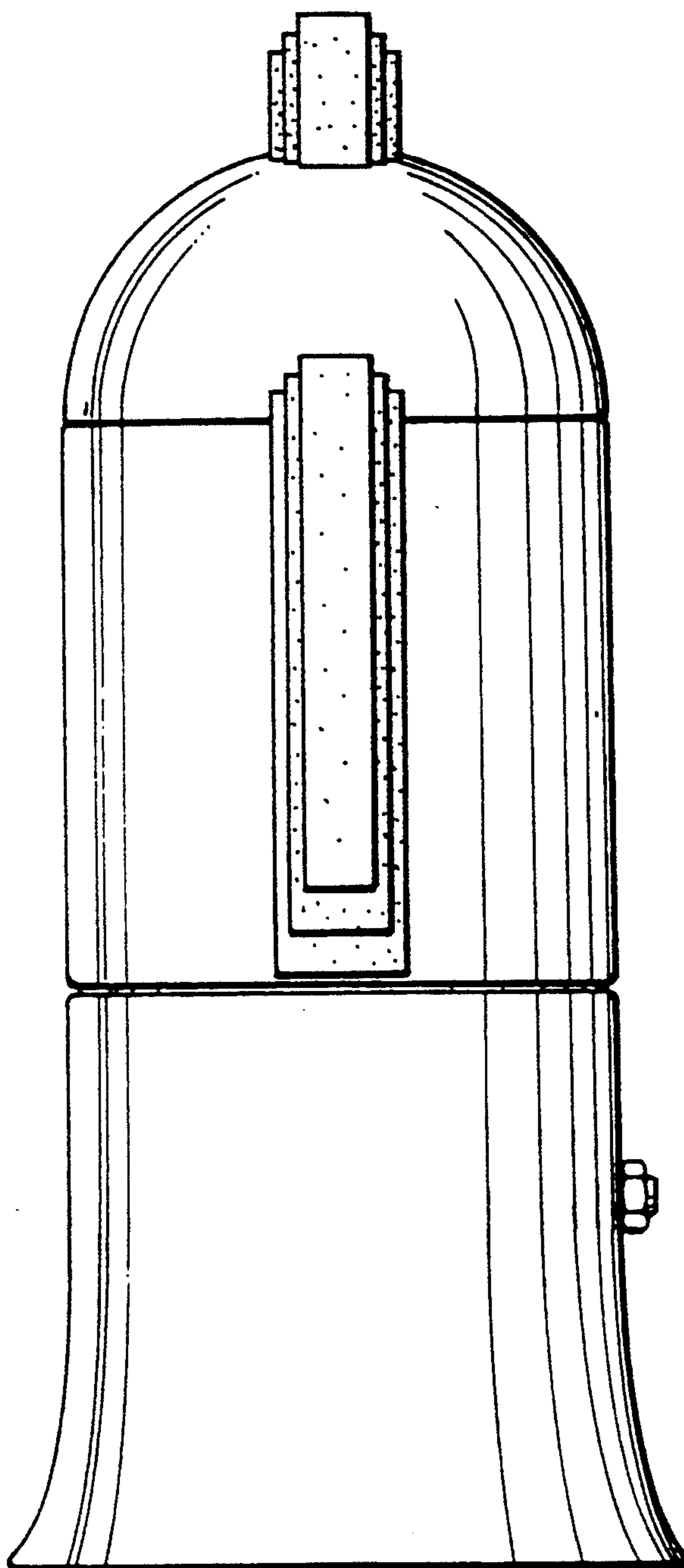


FIG. 4

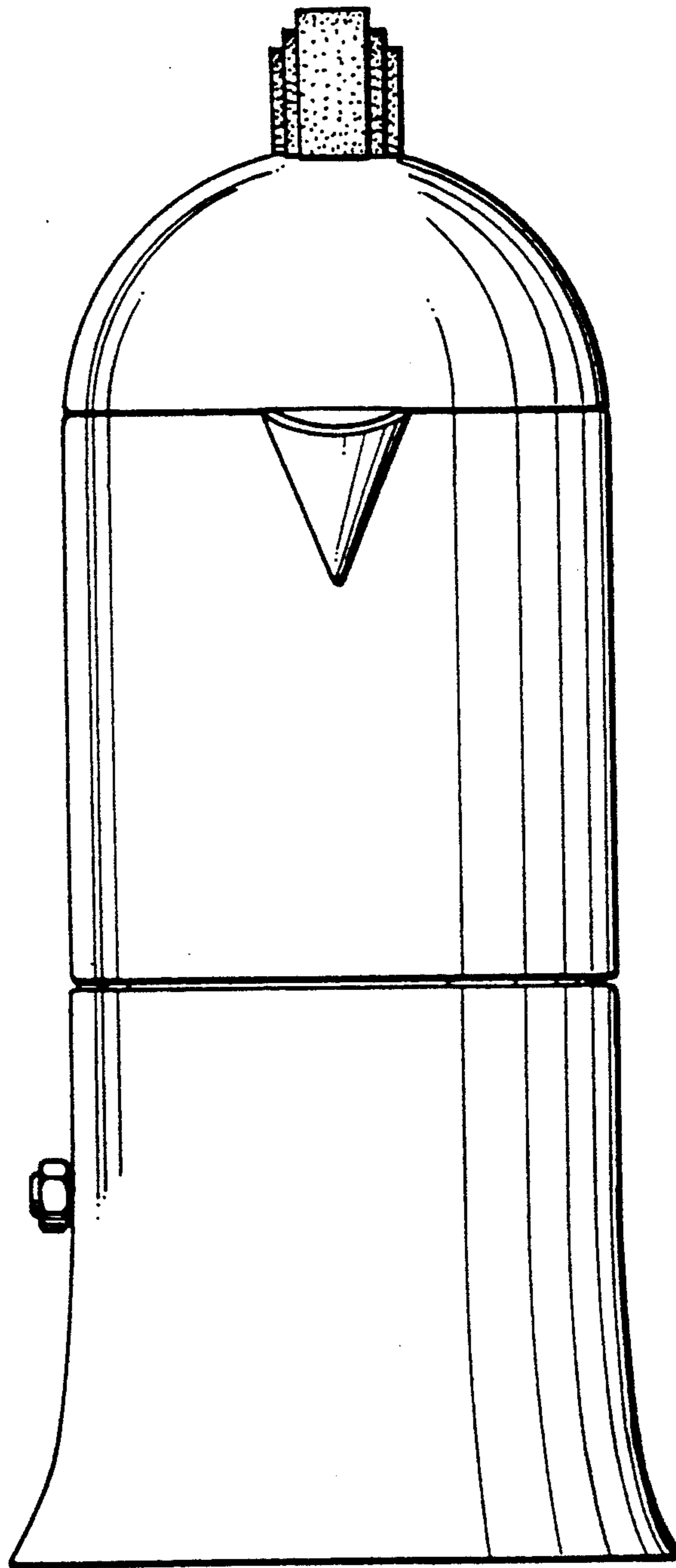


FIG. 5

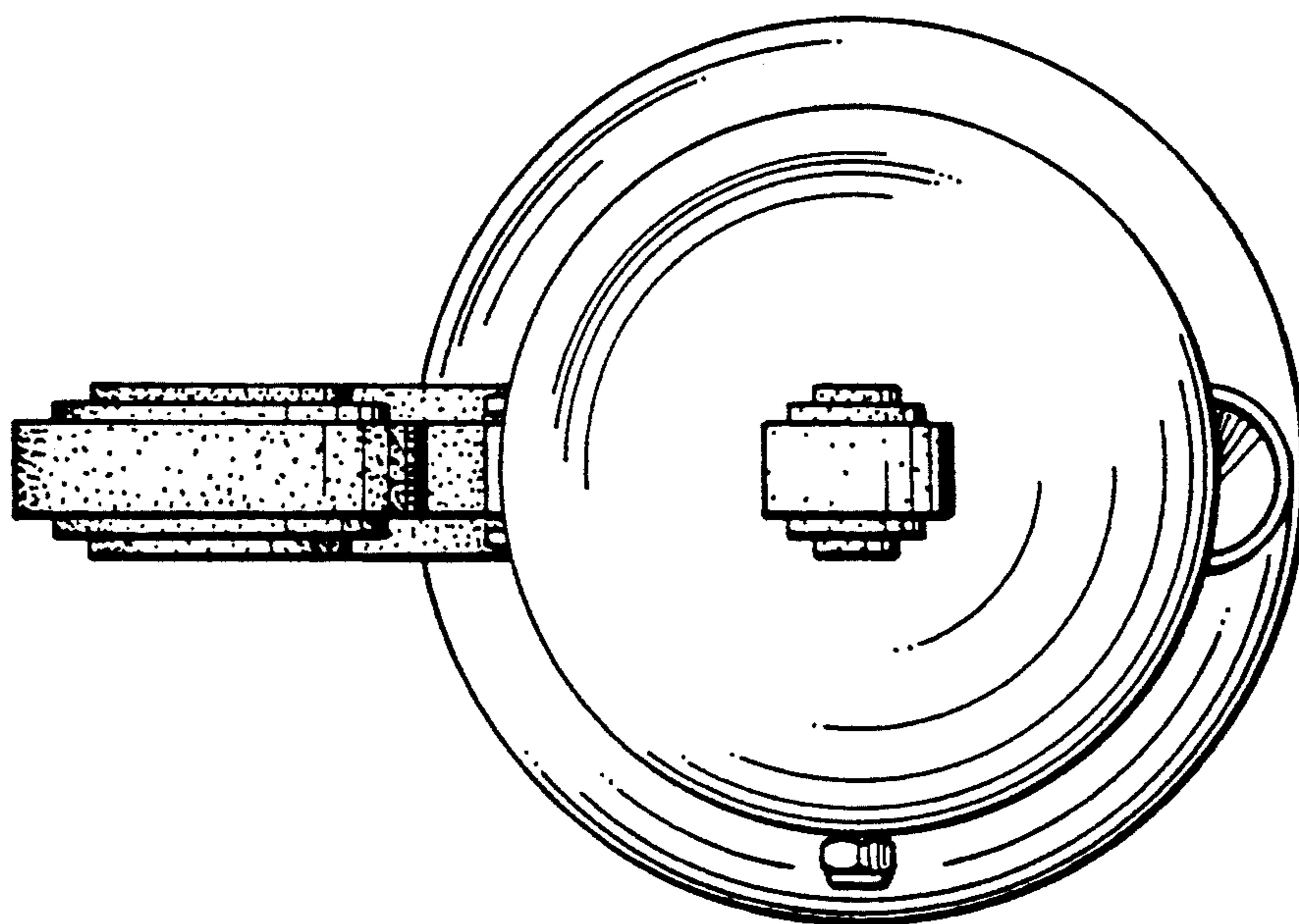


FIG. 6

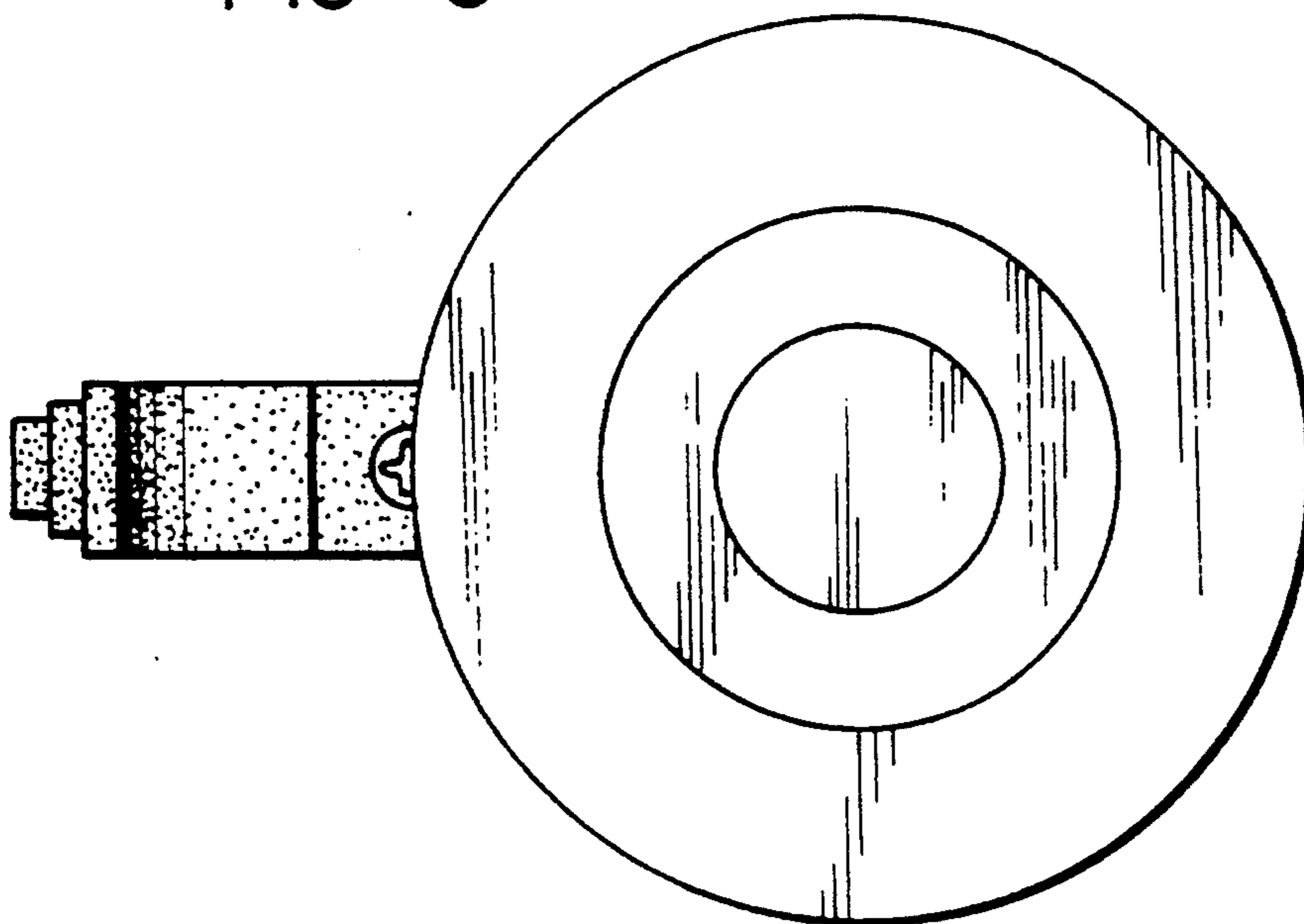


FIG. 7

