



US00D348585S

United States Patent [19]

[11] Patent Number: **Des. 348,585**

Sham

[45] Date of Patent: **** Jul. 12, 1994**

[54] **COFFEE MAKER**

[76] Inventor: **John C. K. Sham**, Room 1508, Block C, 19 Broadwood Road, Hong Kong, Hong Kong

[**] Term: **14 Years**

[21] Appl. No.: **912,891**

[22] Filed: **Jul. 13, 1992**

[52] U.S. Cl. **D7/309; D7/310; D7/311**

[58] Field of Search **D7/300, 305, 306, 308, D7/309, 310, 311, 313, 307; 97/279; D20/4, 5**

[56] **References Cited**

U.S. PATENT DOCUMENTS

D. 277,539	2/1985	Elkerbout	D7/309
D. 288,517	3/1987	Kahlcke	D7/309
D. 288,885	3/1987	Kahlcke	D7/309
D. 296,180	6/1988	Jack	D7/309
D. 304,409	11/1989	Beeren	D7/309
D. 314,881	2/1991	Wondergem et al.	D7/309
D. 316,004	4/1991	Eugster	D7/310 X

D. 317,996	7/1991	Jack	D7/309
D. 326,386	5/1992	Rakocy et al.	D7/309
D. 339,954	10/1993	Bunn et al.	D7/309
4,852,474	8/1989	Mahlich et al.	D7/309 X

OTHER PUBLICATIONS

Cafe Compact by Philips, HFD Nov. 24, 1986, p. 70.

Primary Examiner—Alan P. Douglas

Assistant Examiner—M. N. Pandozzi

Attorney, Agent, or Firm—Dilworth & Barrese

[57] **CLAIM**

The ornamental design for a coffee maker, as shown and described.

DESCRIPTION

FIG. 1 illustrates a top, front and side perspective view of my new design for coffee maker;

FIG. 2 illustrates a front view thereof;

FIG. 3 illustrates a right side view thereof;

FIG. 4 illustrates a top plan view thereof;

FIG. 5 illustrates a left side view thereof;

FIG. 6 illustrates a rear view thereof; and,

FIG. 7 illustrates a bottom plan view thereof.

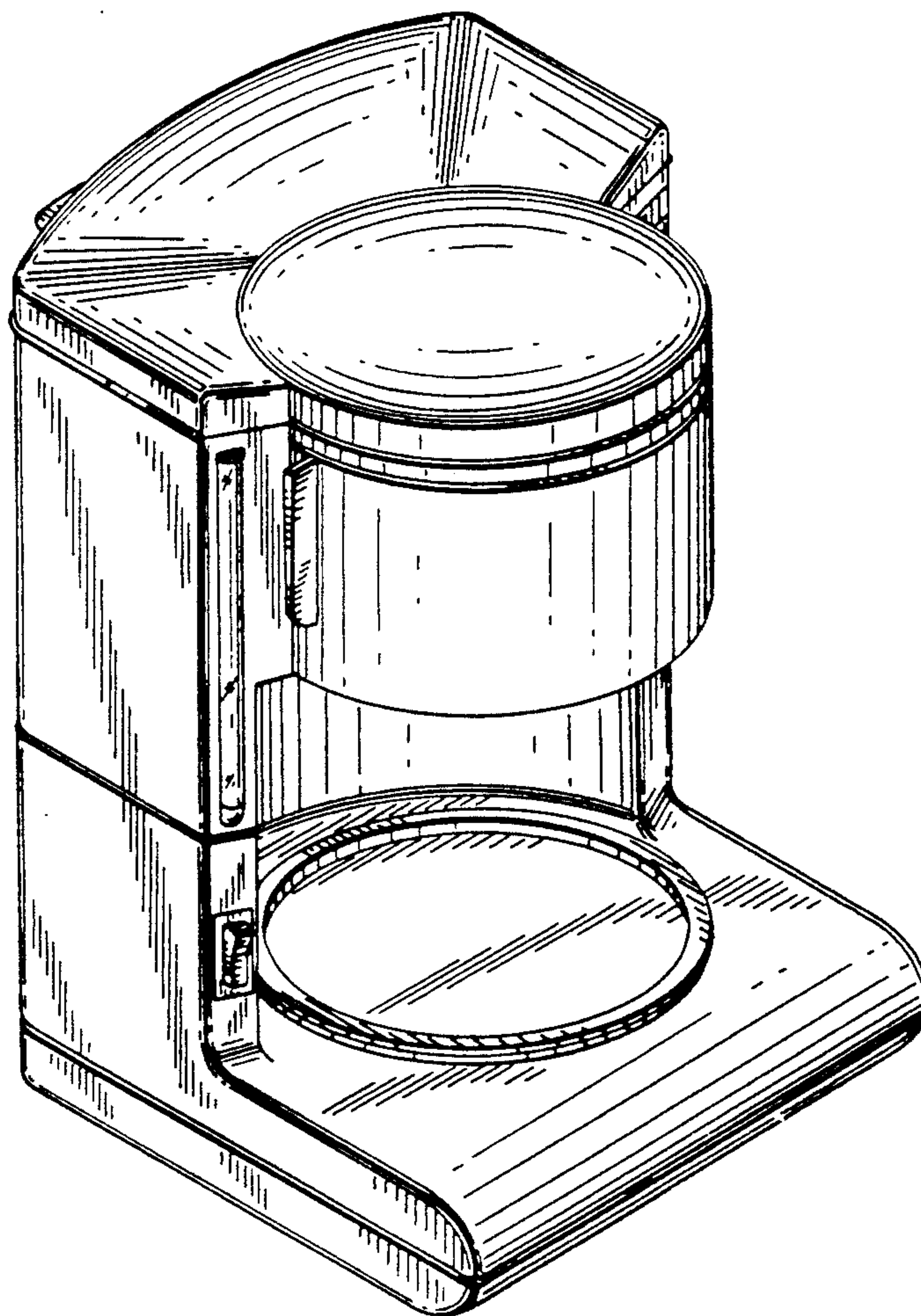


FIG. 1

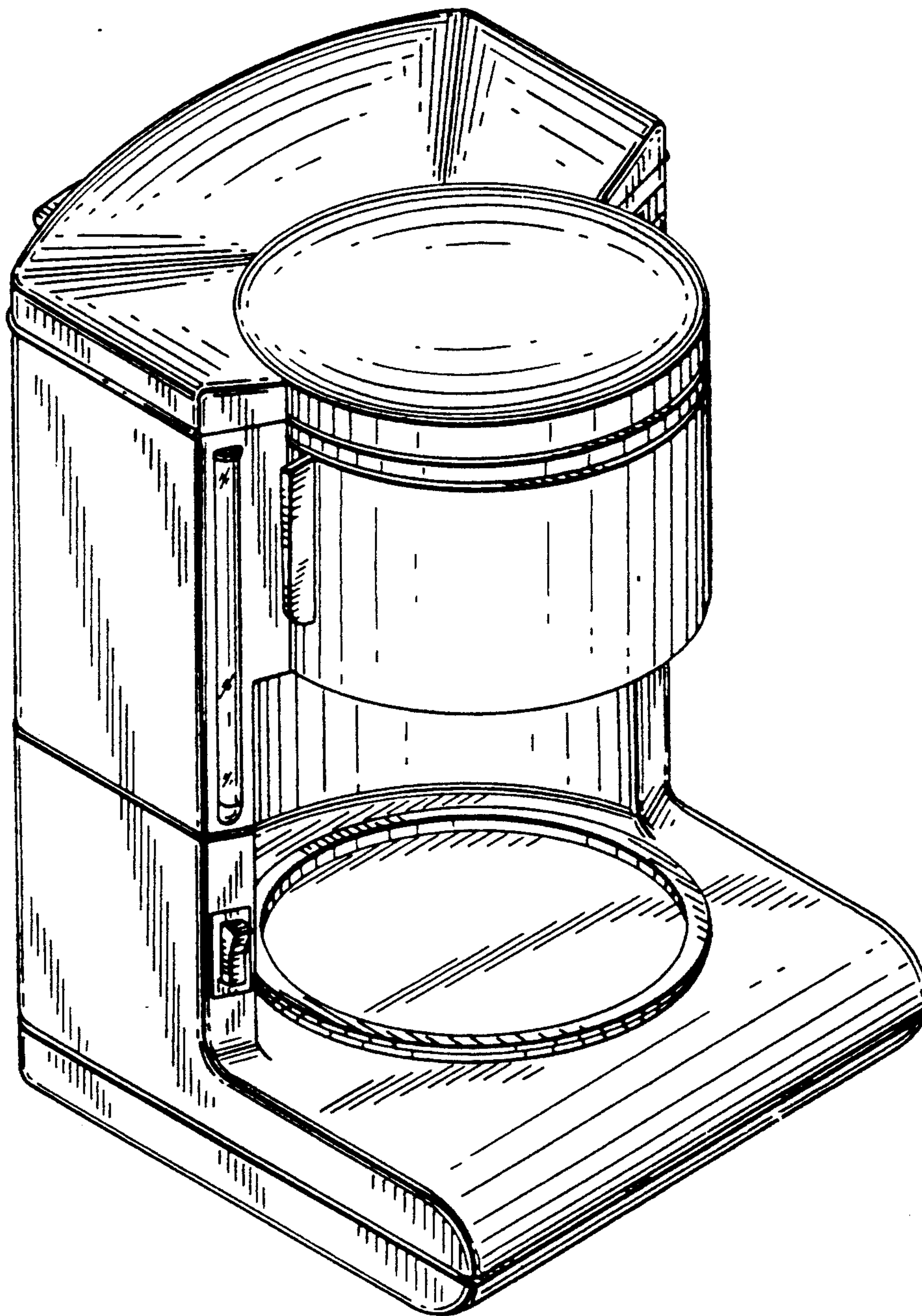


FIG. 3

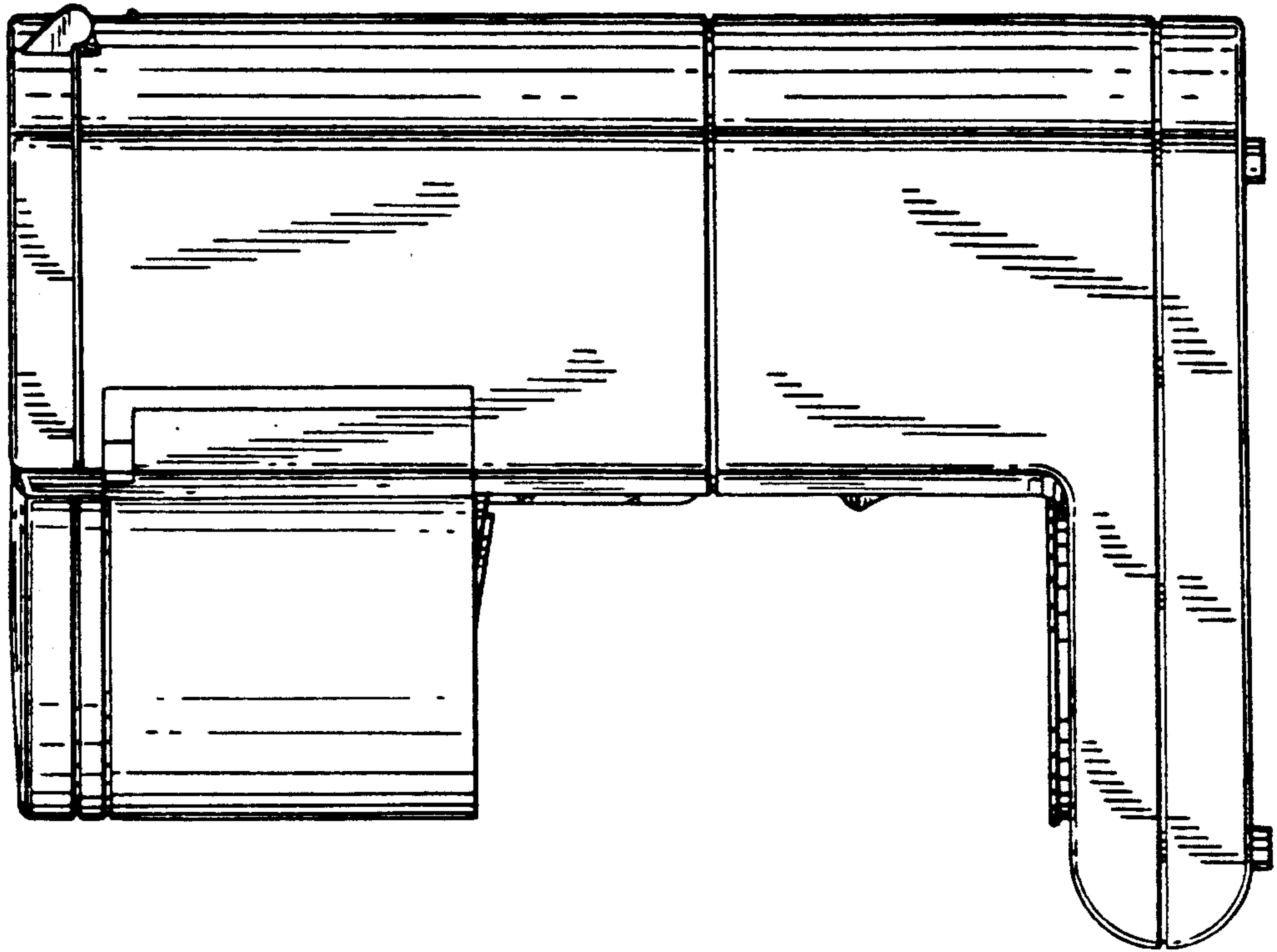


FIG. 2

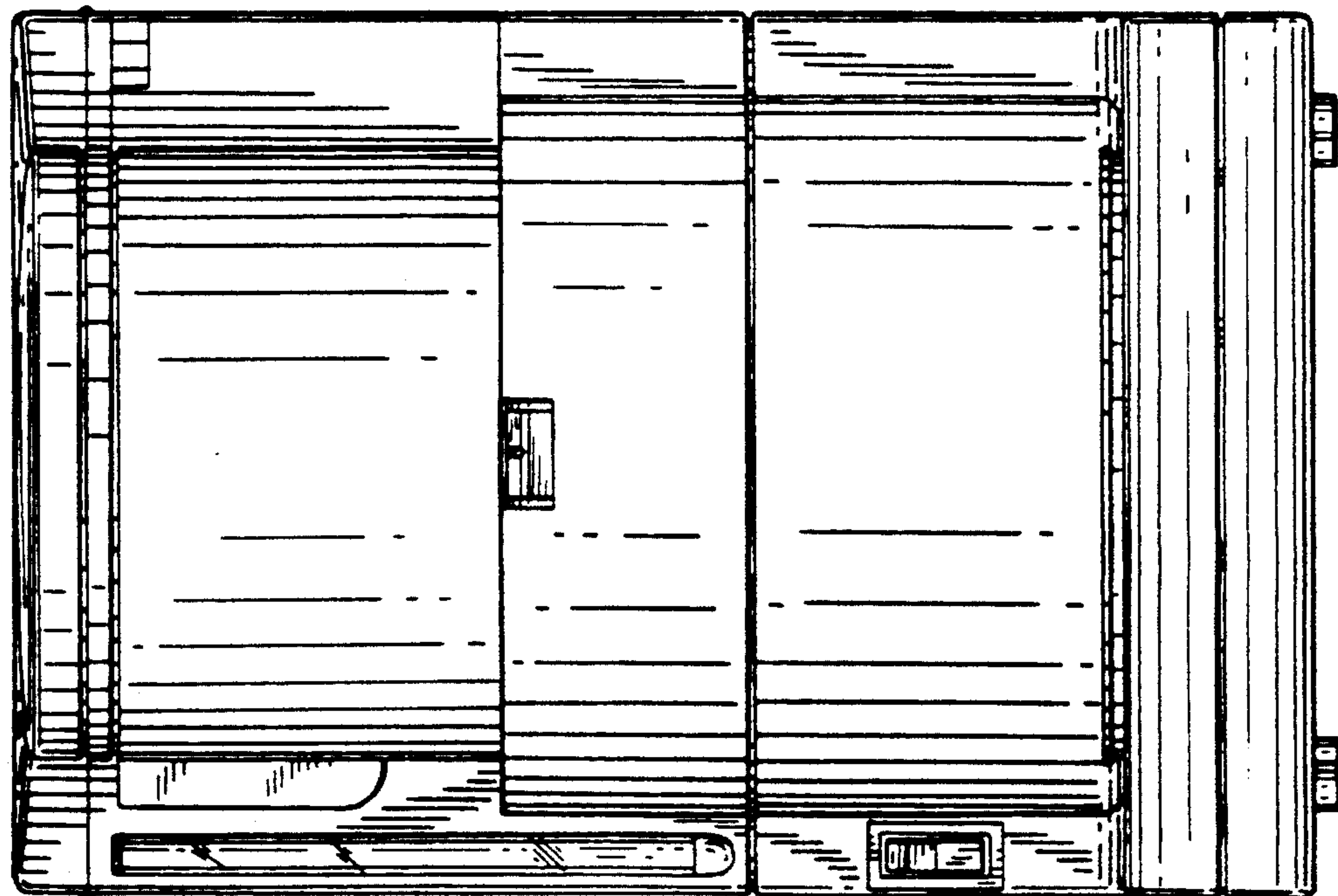


FIG. 5

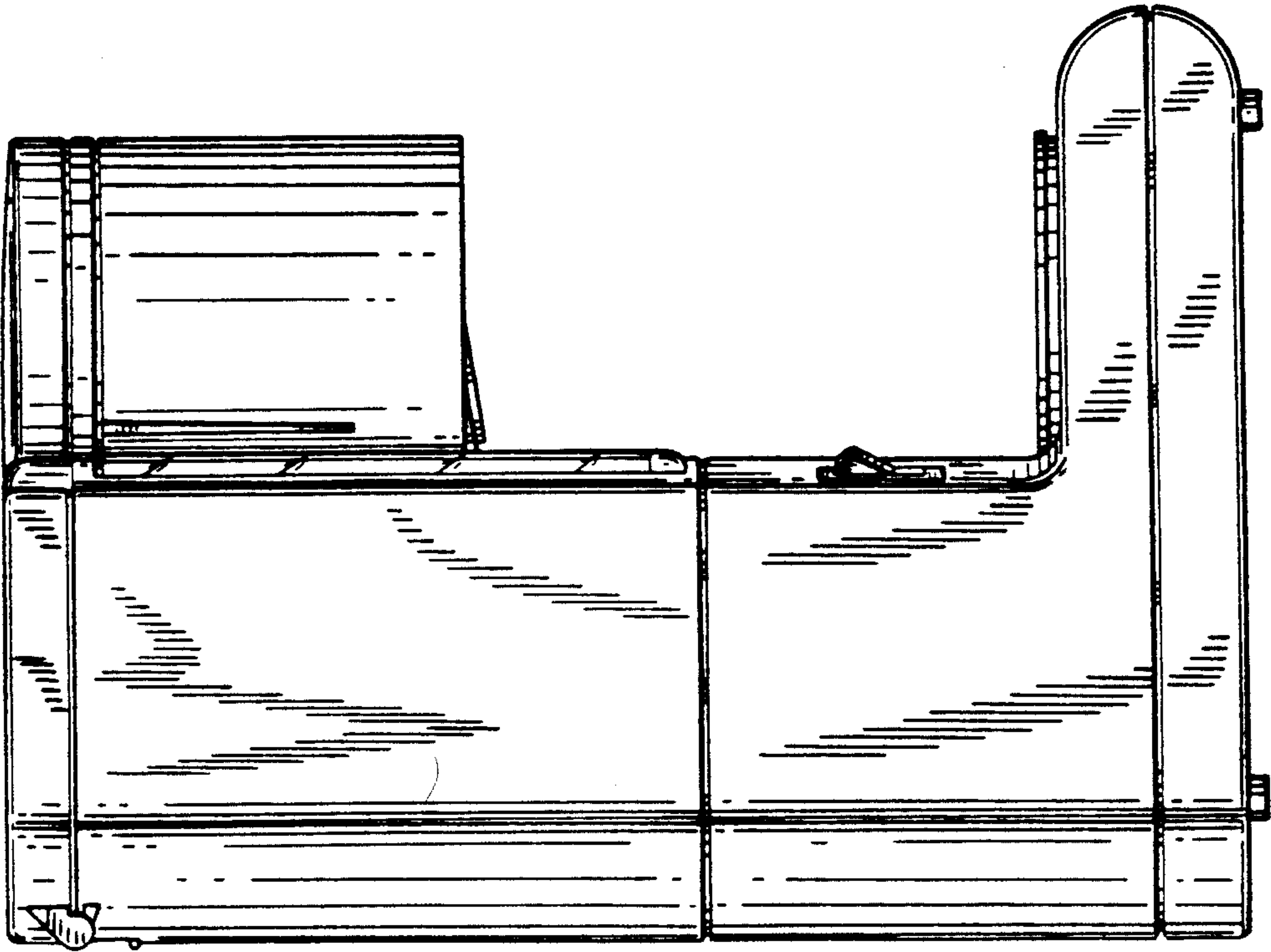


FIG. 4

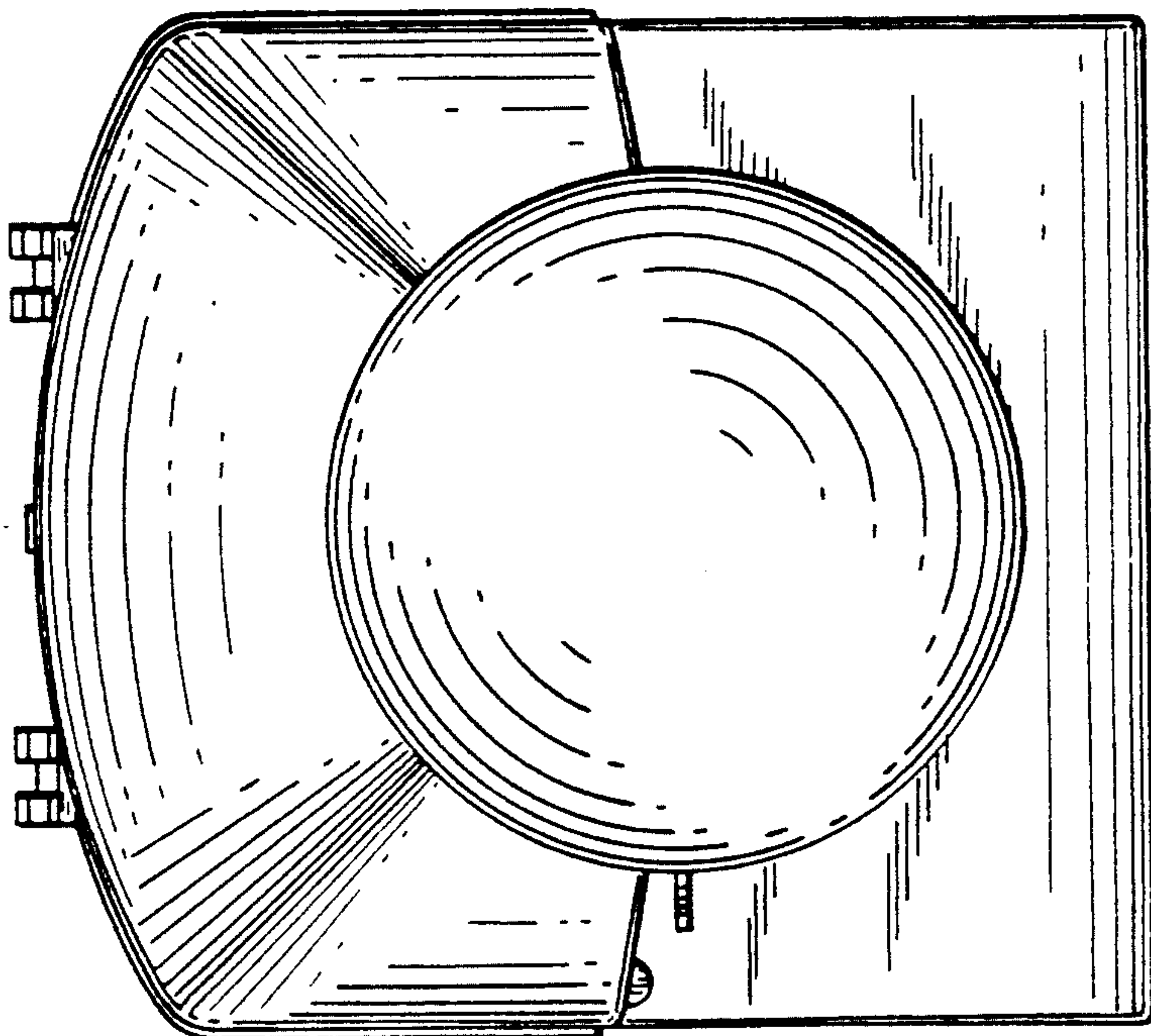


FIG. 7

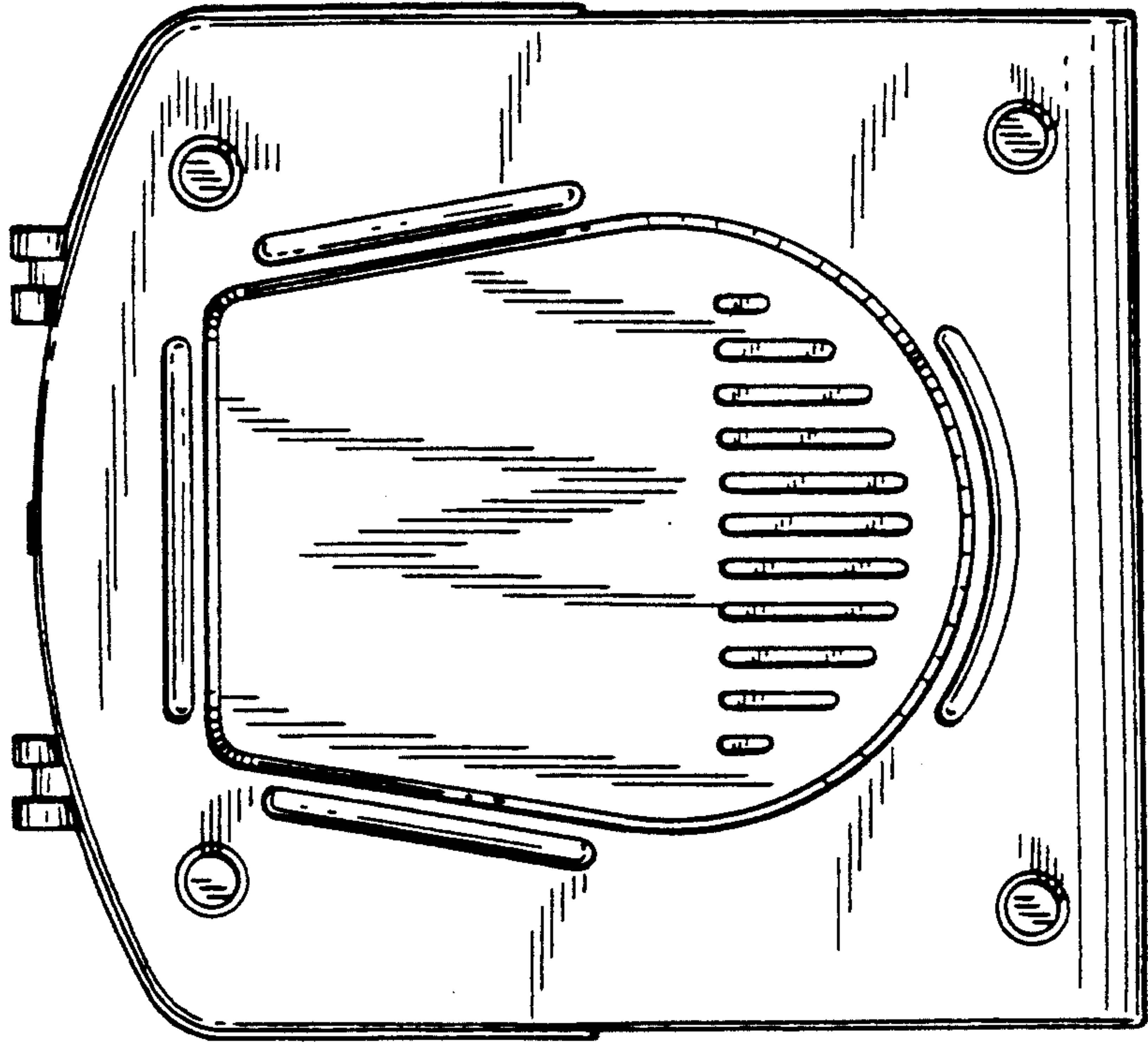


FIG. 6

