



US00D348581S

United States Patent [19]

Starr, IV

[11] **Patent Number: Des. 348,581**

[45] **Date of Patent: ** Jul. 12, 1994**

[54] **MINIATURE SHELF**

[76] **Inventor: Harry W. Starr, IV, 215 Clearwater, Plainview, Ill. 62676**

[*] **Notice: The portion of the term of this patent subsequent to Mar. 2, 2007 has been disclaimed.**

[**] **Term: 14 Years**

[21] **Appl. No.: 872,666**

[22] **Filed: Apr. 23, 1992**

Related U.S. Application Data

[63] **Continuation-in-part of Ser. No. 556,794, Jul. 23, 1990, Pat. No. Des. 333,584.**

[52] **U.S. Cl. D6/574**

[58] **Field of Search D6/553, 567, 574; 211/13, 41-42, 71, 86-88, 90, 126, 134; 248/205.5, 206.2, 202.4**

[56] **References Cited**

U.S. PATENT DOCUMENTS

D. 197,871 3/1964 Crisp D6/566

D. 224,198	7/1972	Hastings	D6/475 X
D. 291,176	8/1987	Sukol	D6/574 X
D. 296,520	7/1988	Spinetta	D6/553 X
D. 333,584	3/1993	Starr, IV	D6/574
1,468,917	9/1923	Osburn	248/205.4
1,933,374	10/1933	Haggard	248/205.4
2,557,434	6/1951	Hoverder	248/205.4
2,717,717	9/1955	Busch	248/205.4
4,863,130	9/1989	Marks, Jr.	248/206.3

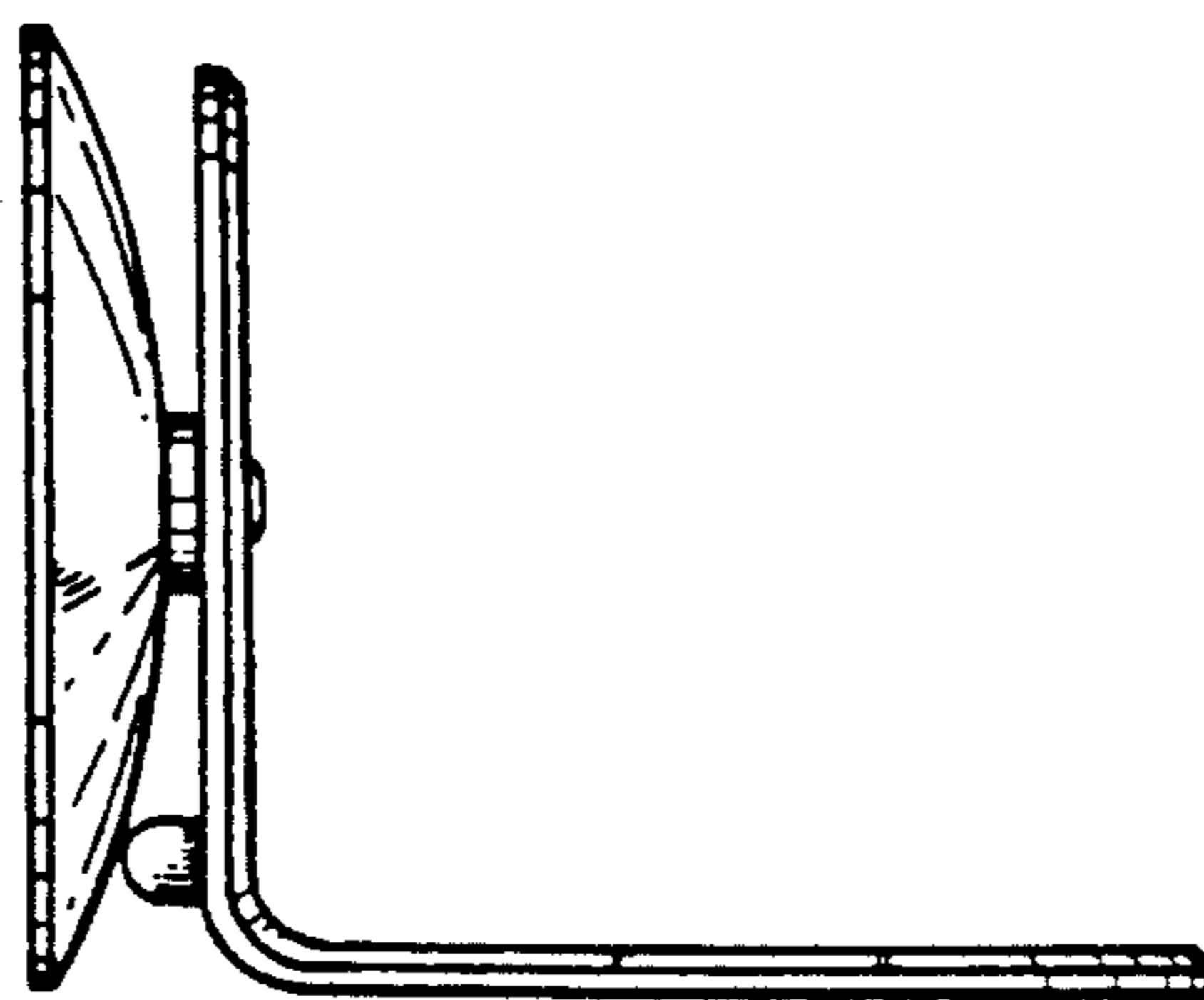
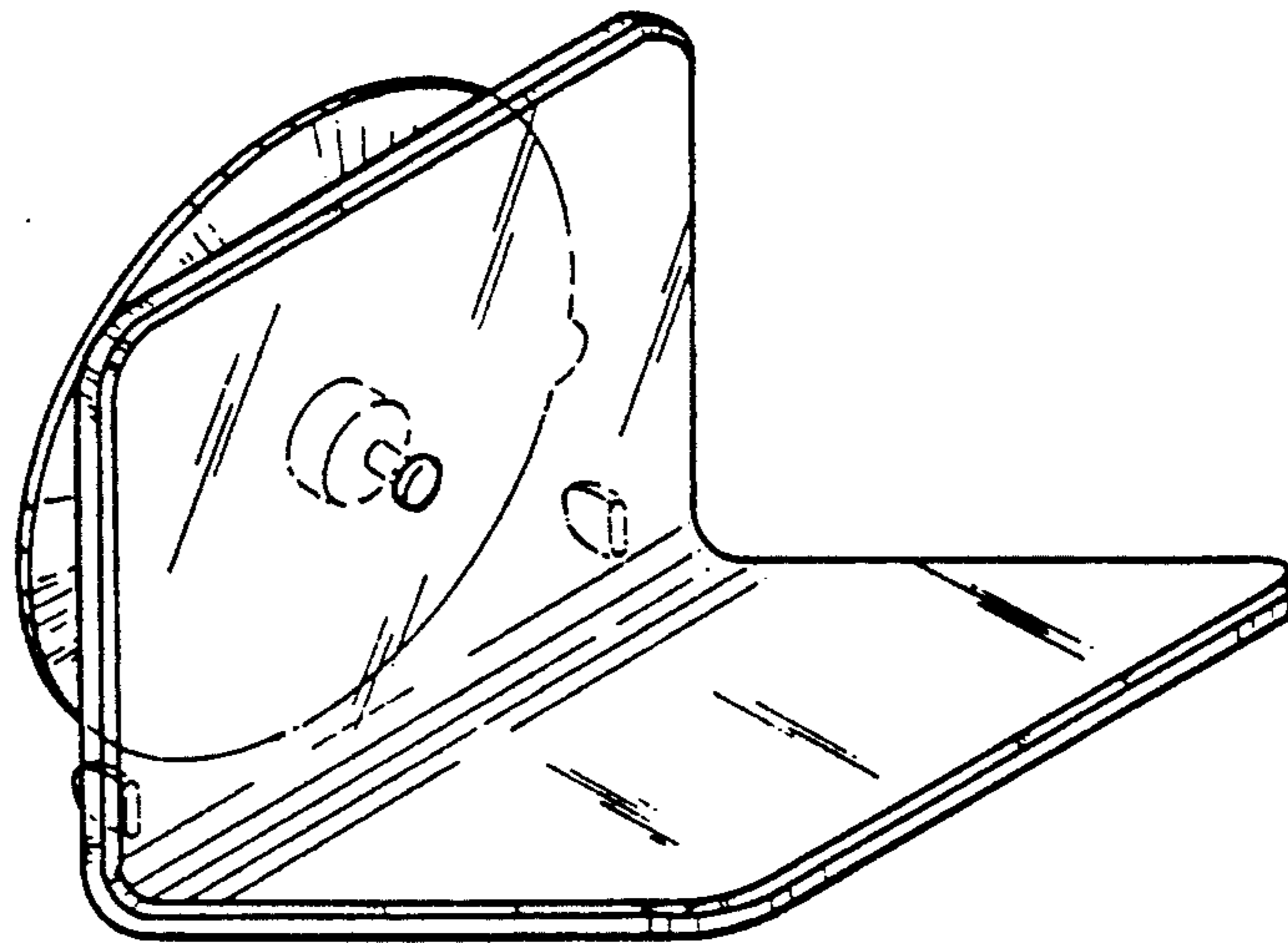
Primary Examiner—Brian N. Vinson
Attorney, Agent, or Firm—Brady, O'Boyle & Gates

[57] **CLAIM**

The ornamental design for a miniature shelf, as shown and described.

DESCRIPTION

FIG. 1 is a top, front, and left side perspective view of a miniature shelf, showing my new design; FIG. 2 is a front elevational view thereof; FIG. 3 is a rear elevational view thereof; FIG. 4 is a left side elevational view thereof, the right side being a mirror image of that shown; FIG. 5 is a top plan view thereof; and, FIG. 6 is a bottom plan view thereof.



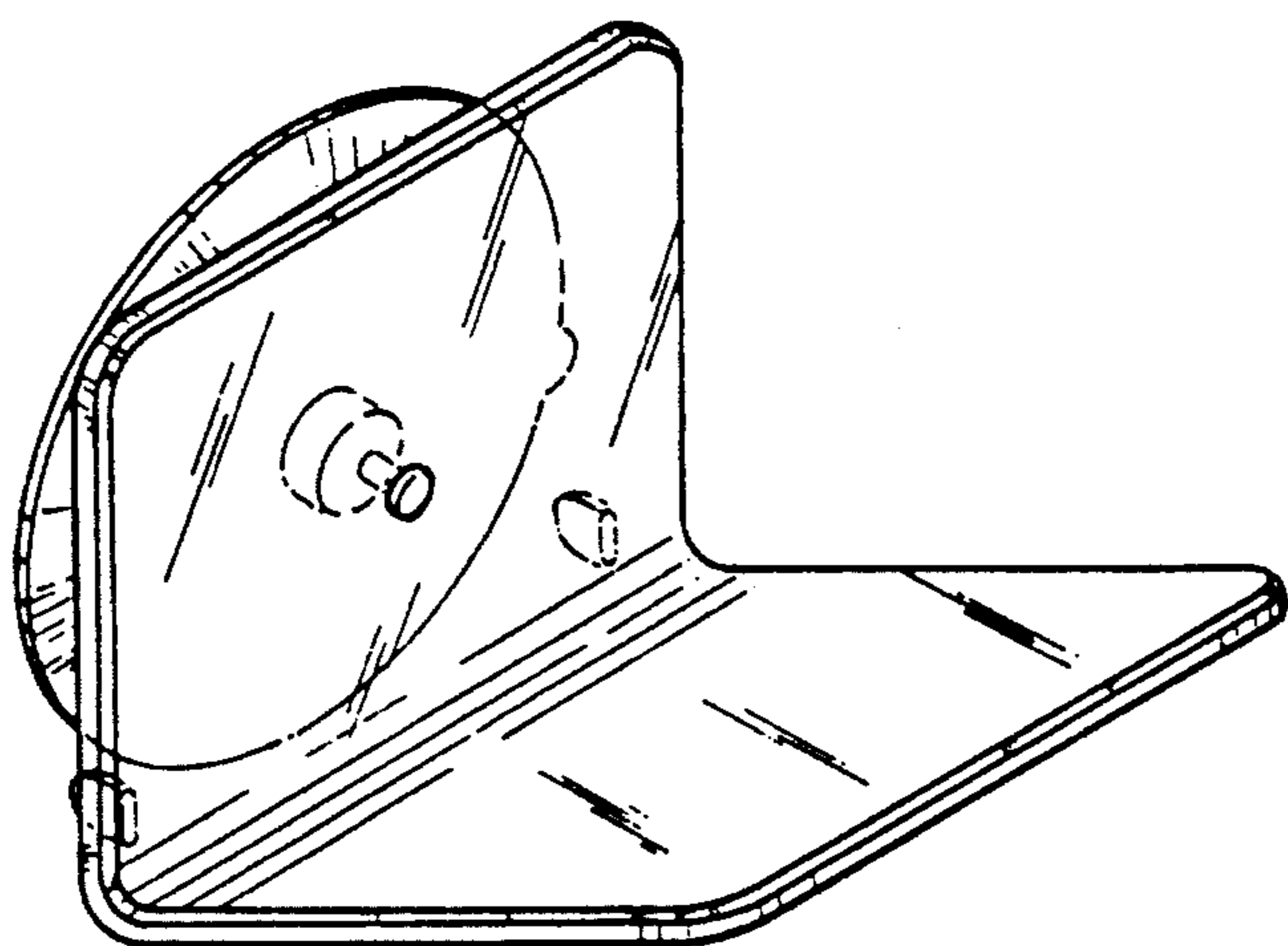


FIG. 1

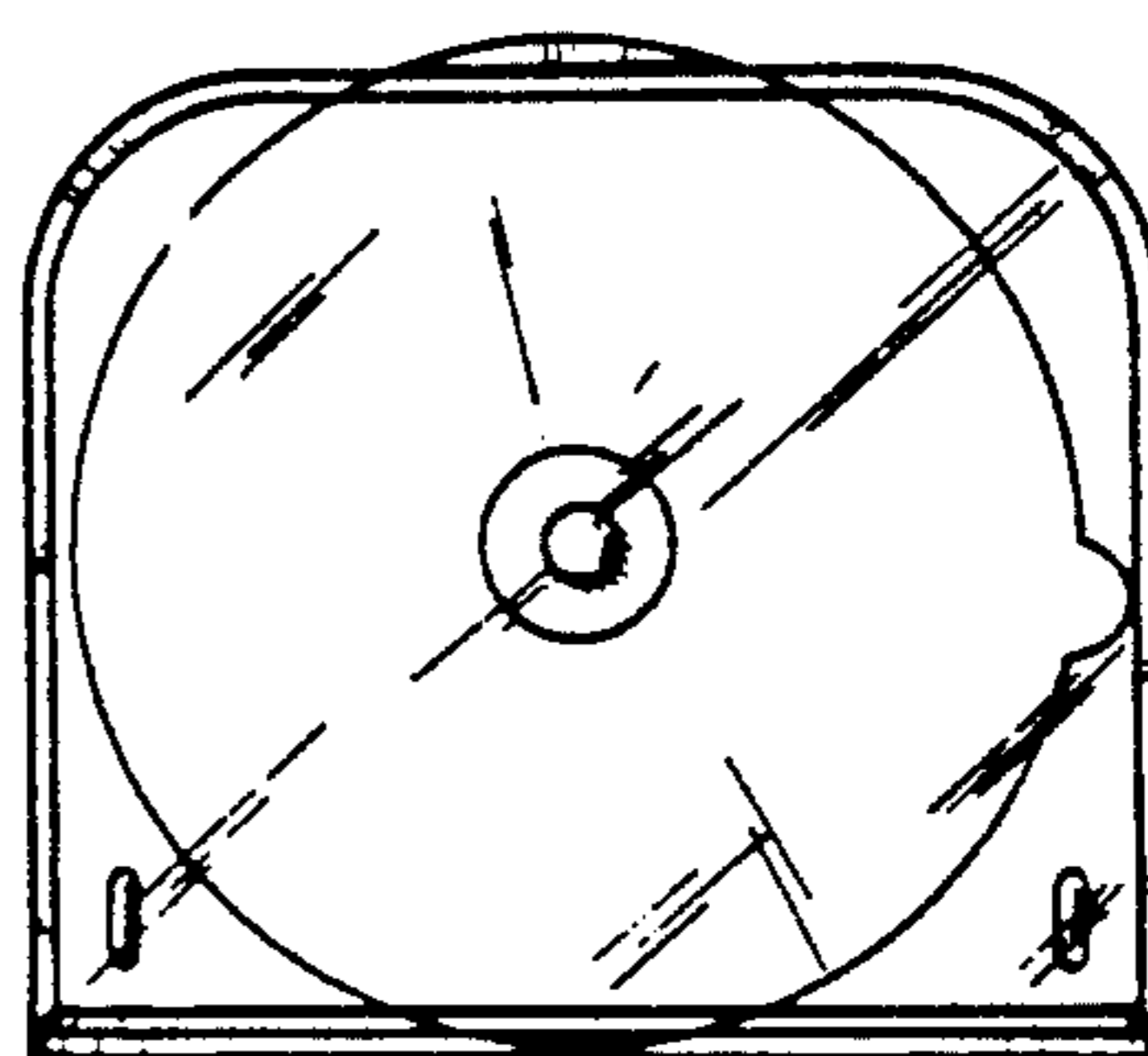


FIG. 2

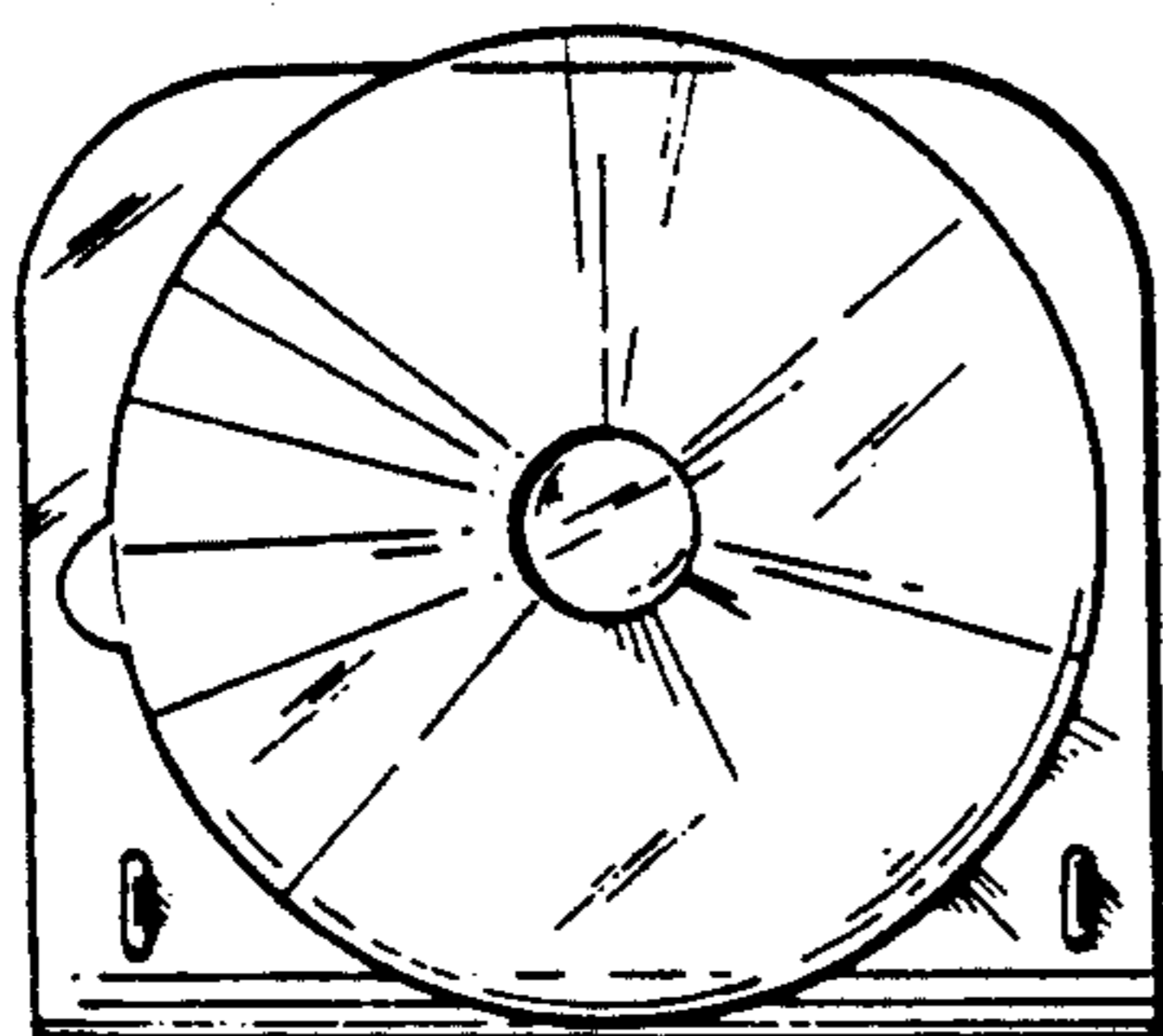


FIG. 3

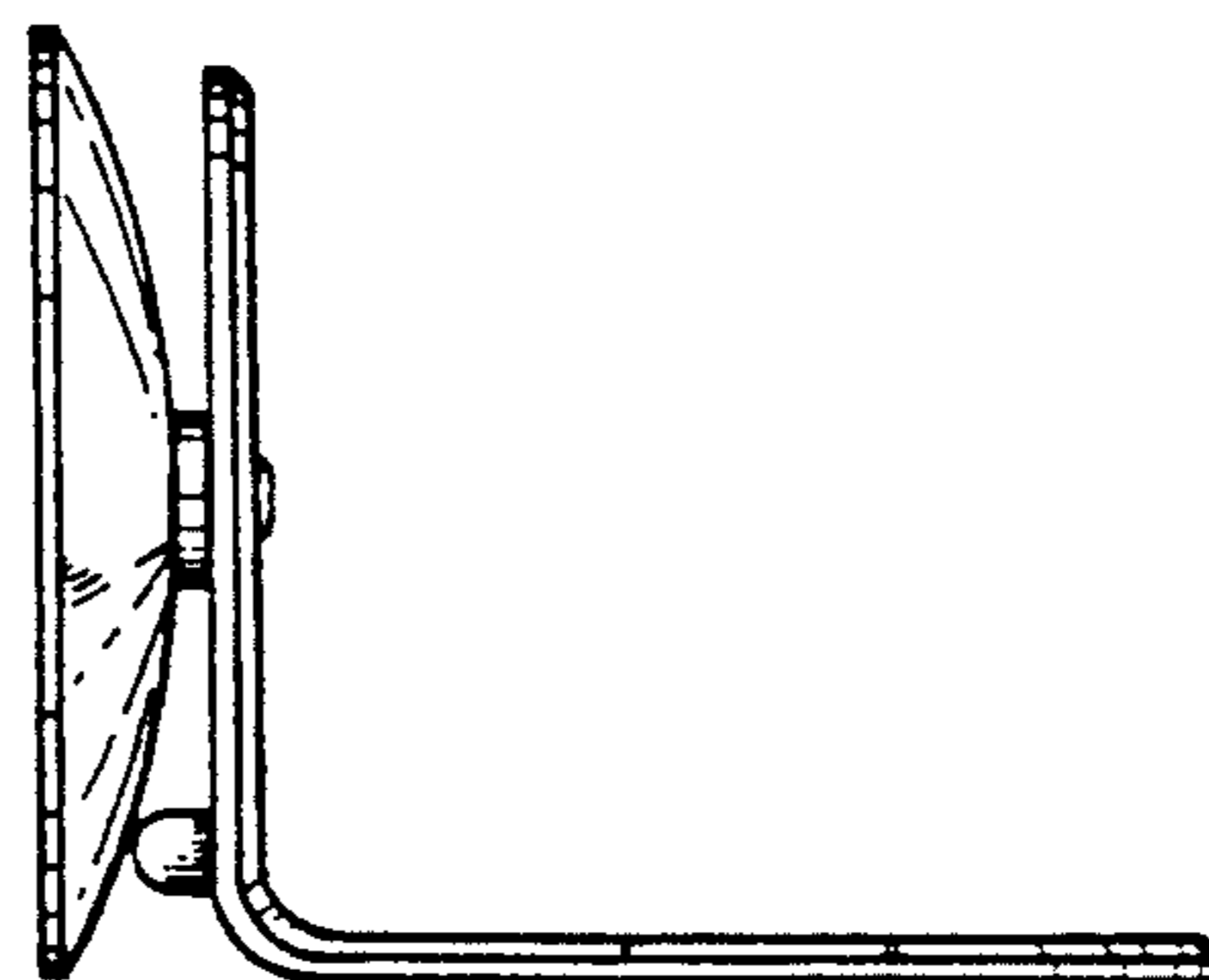


FIG. 4

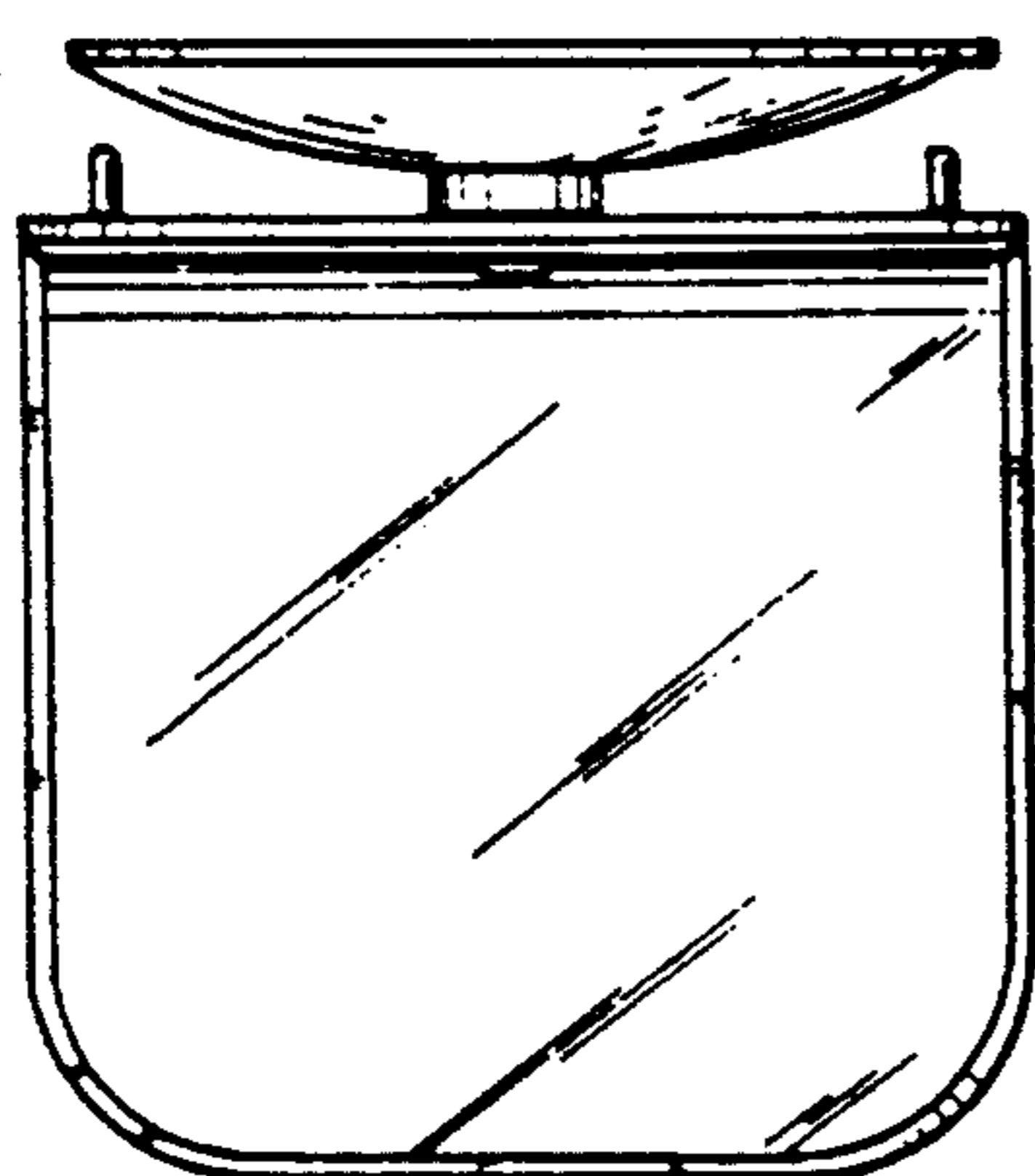


FIG. 5

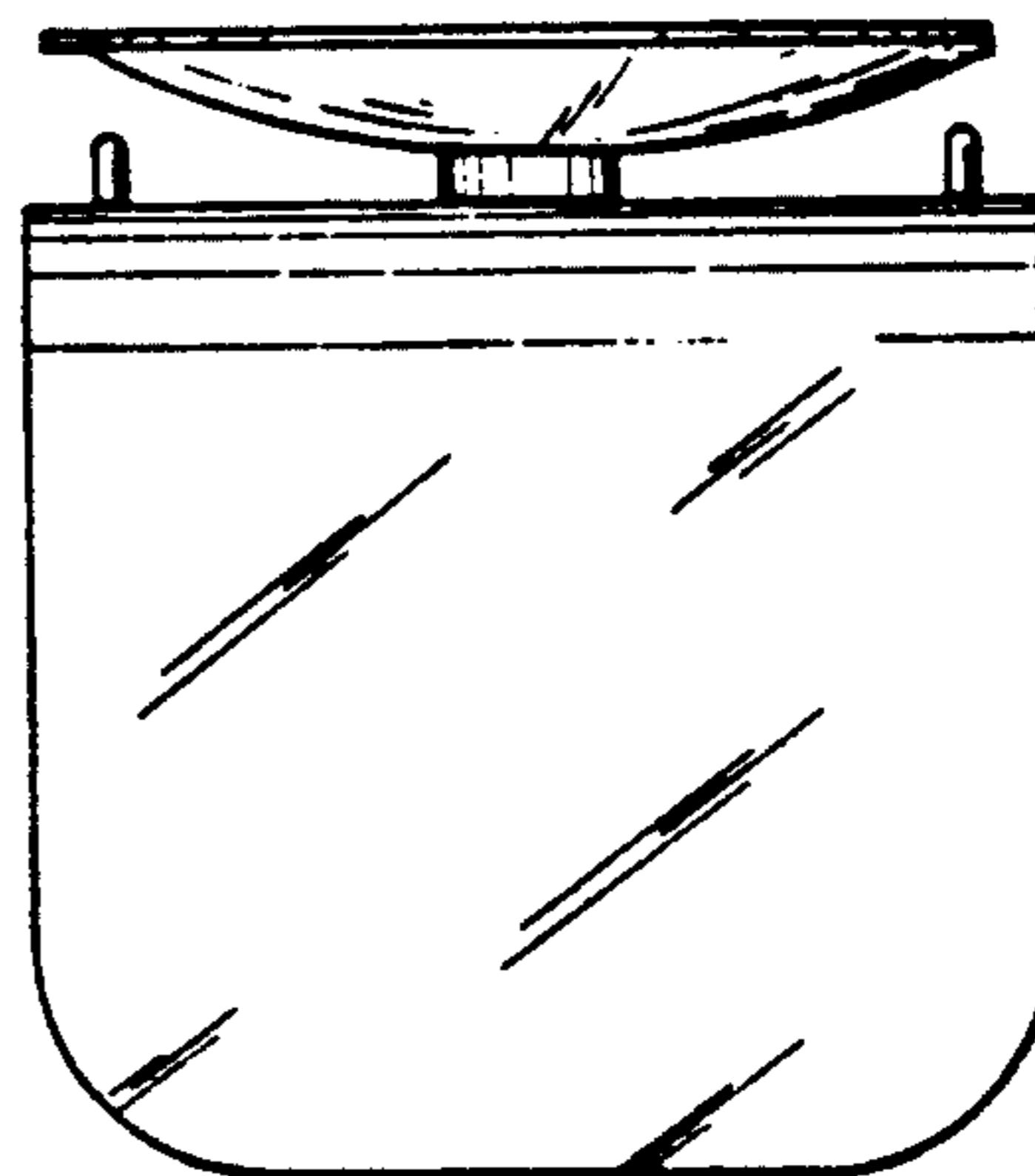


FIG. 6