



US00D348579S

United States Patent [19] Brandenburg

[11] Patent Number: **Des. 348,579**

[45] Date of Patent: **** Jul. 12, 1994**

[54] **TOILET TISSUE DISPENSER**

4,179,078 12/1979 Mansfield 242/55.53

[75] Inventor: **Allen E. Brandenburg**, Austin, Tex.

Primary Examiner—Brian N. Vinson

[73] Assignee: **Scott Paper Company**, Delaware County, Pa.

Attorney, Agent, or Firm—M. G. Bocchetti; J. W. Kane, Jr.

[**] Term: **14 Years**

[57] **CLAIM**

The ornamental design for a toilet tissue dispenser, as shown and described.

[21] Appl. No.: **305**

/ **DESCRIPTION**

[22] Filed: **Oct. 9, 1992**

[52] U.S. Cl. **D6/523**

[58] Field of Search **D6/518, 522-523; 206/389; 221/282-283; 242/55.2, 55.3, 55.53**

FIG. 1 is a perspective view of a toilet tissue dispenser showing my new design;

FIG. 2 is a front elevation view thereof;

FIG. 3 is a left side elevation thereof, the right side elevation being a mirror image thereof;

FIG. 4 is a top plan view thereof;

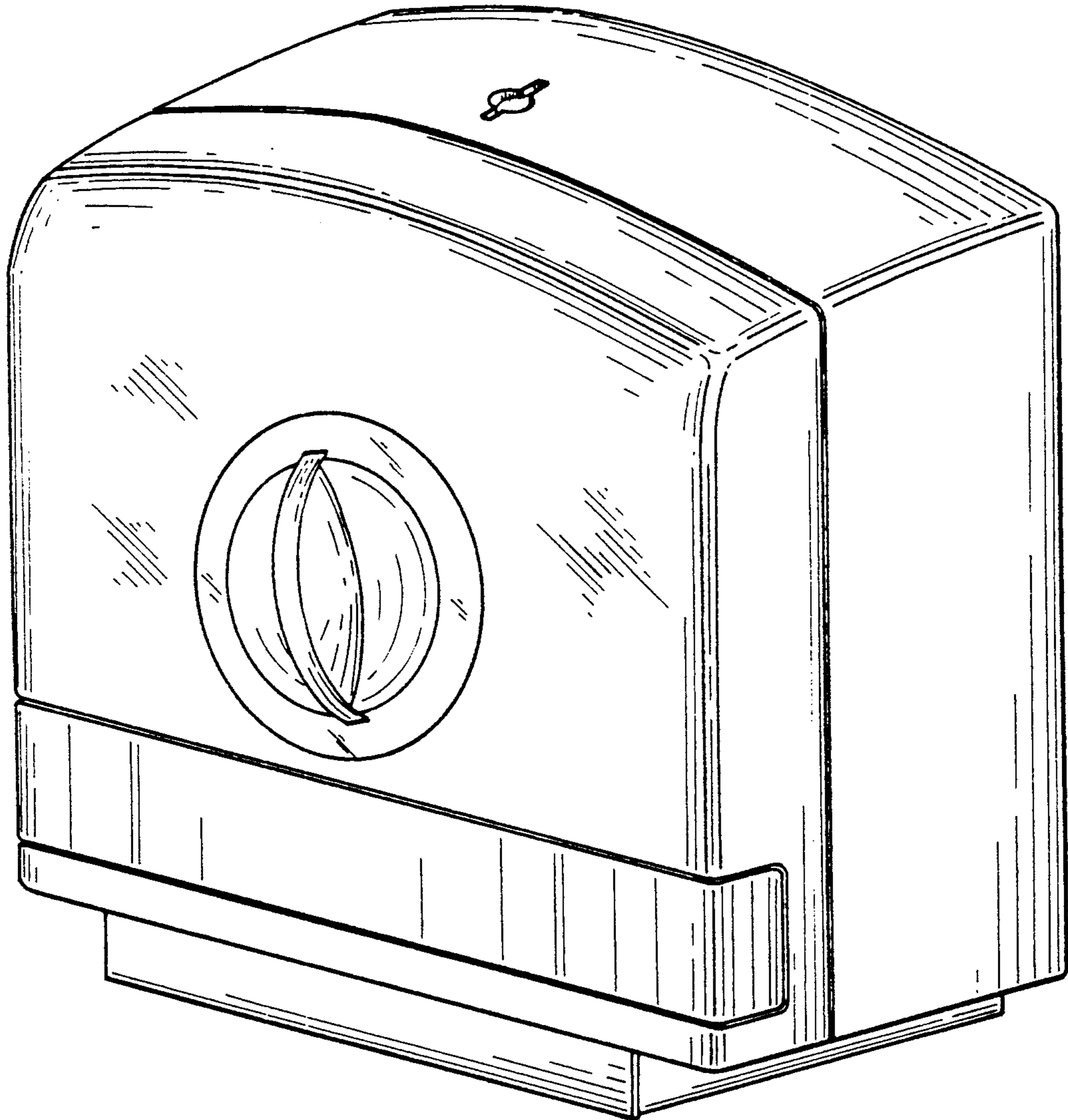
FIG. 5 is a bottom plan view thereof; and,

FIG. 6 is a rear elevation view thereof.

[56] **References Cited**

U.S. PATENT DOCUMENTS

D. 265,700 10/1982 Breger D6/523



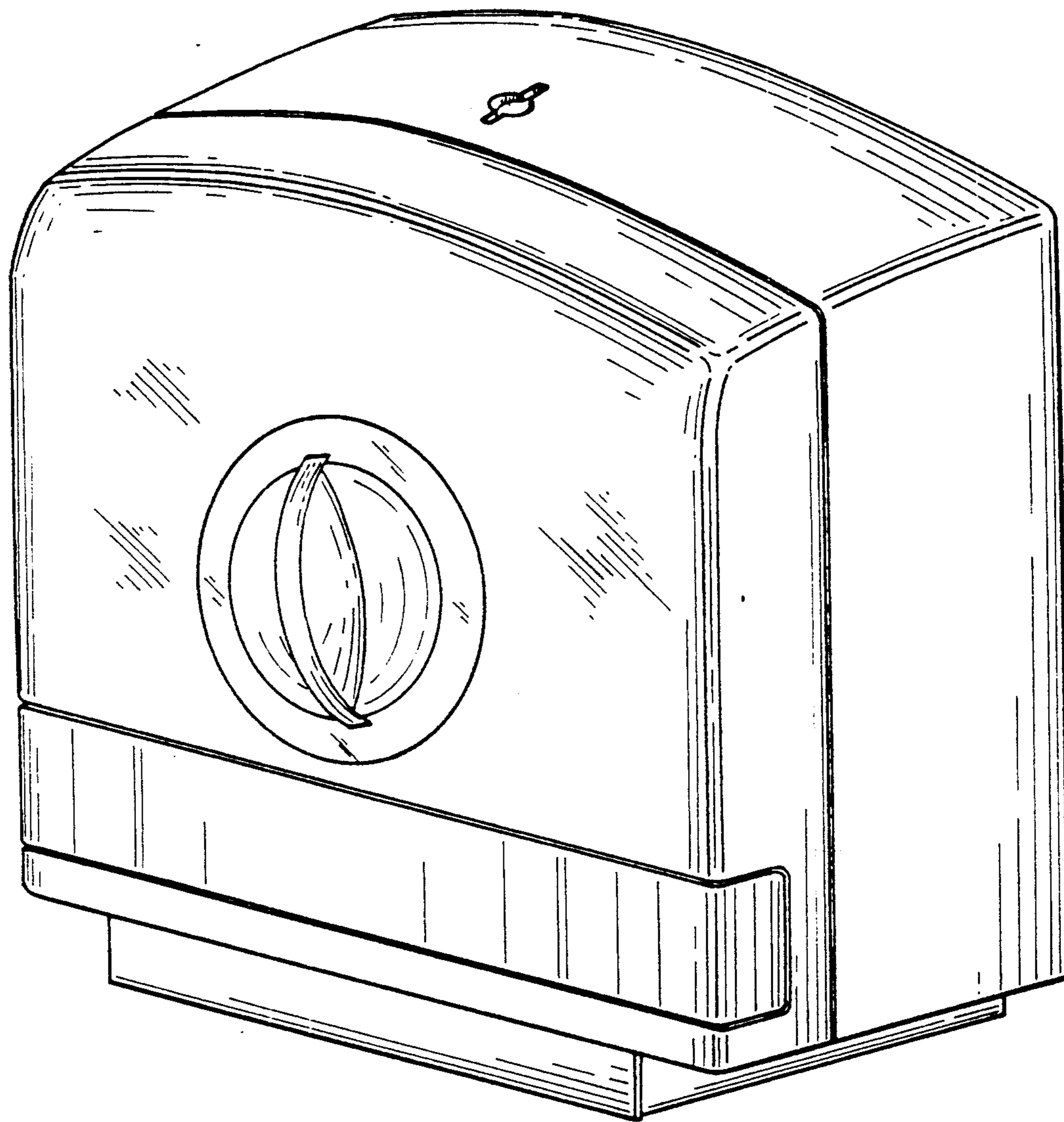


FIG. 1

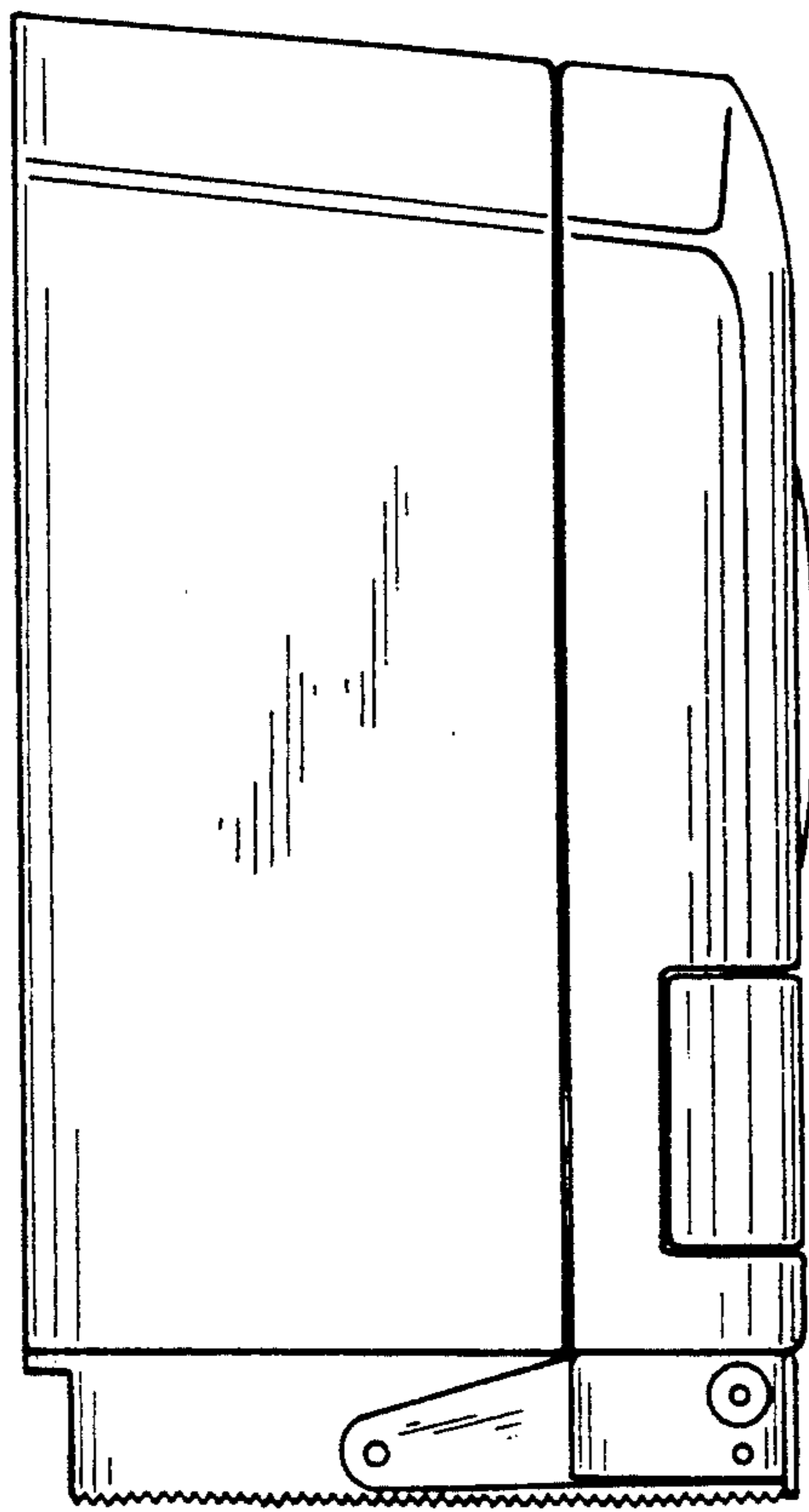


FIG. 3

FIG. 2

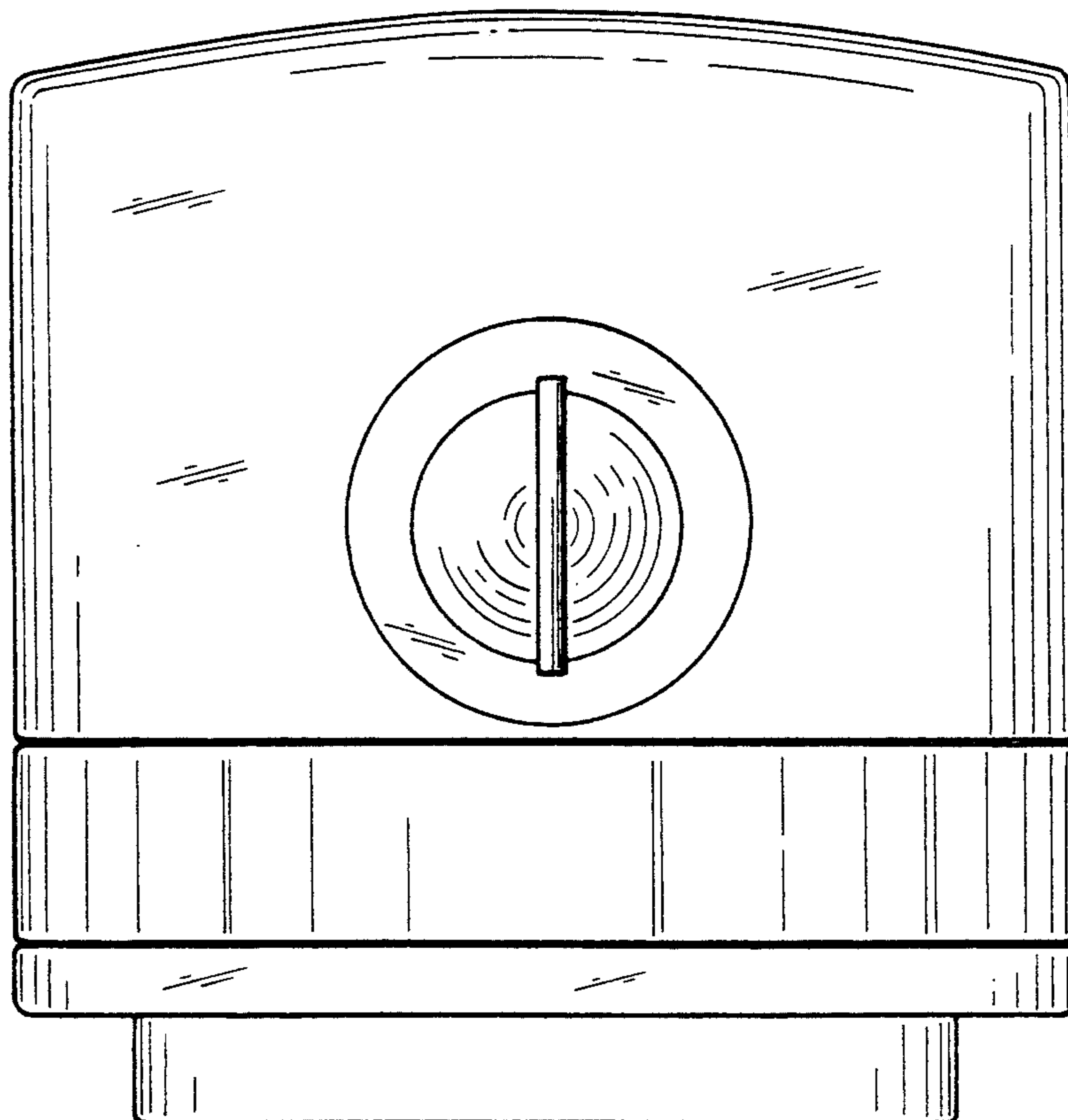


FIG. 5

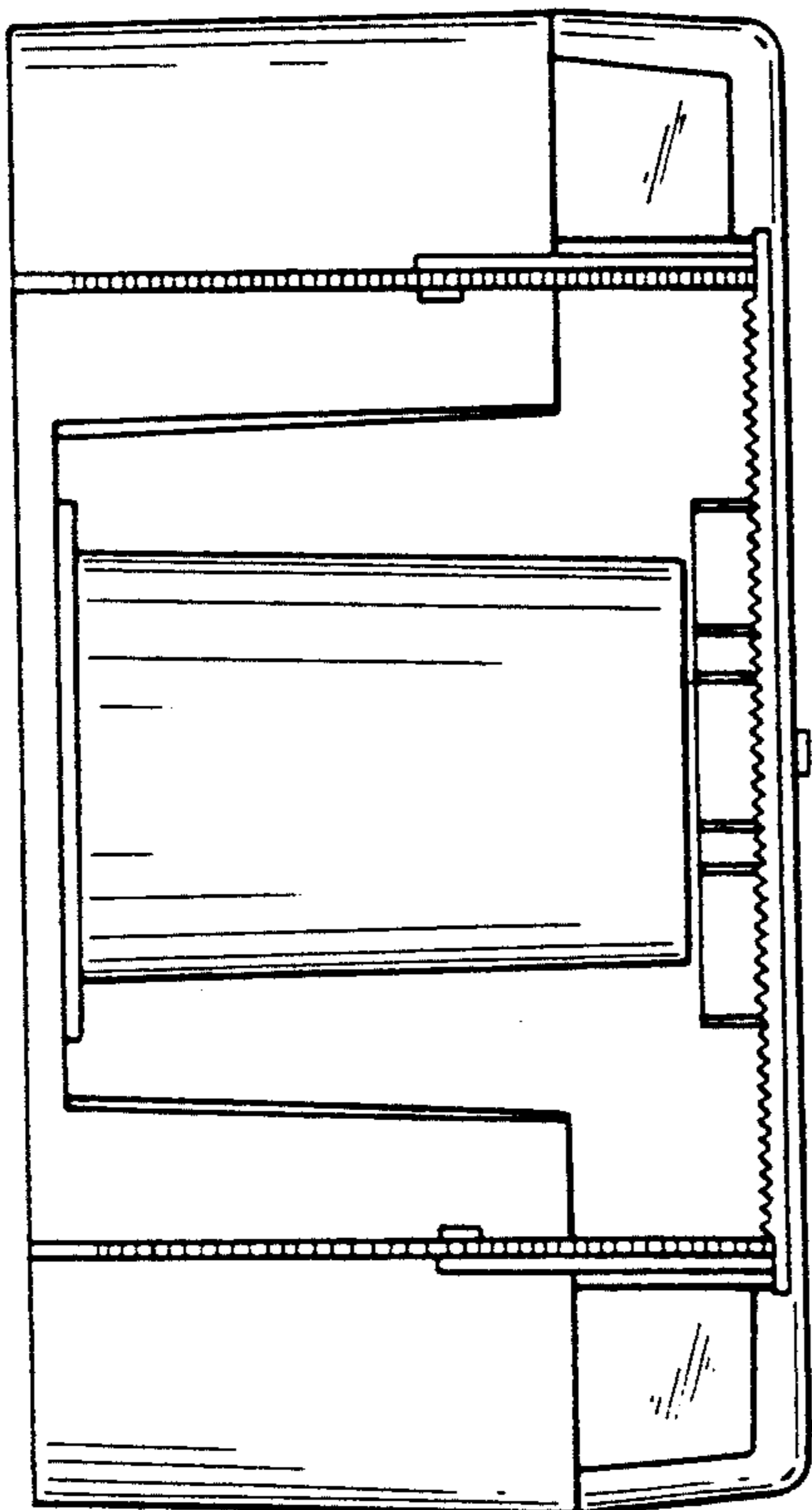


FIG. 4

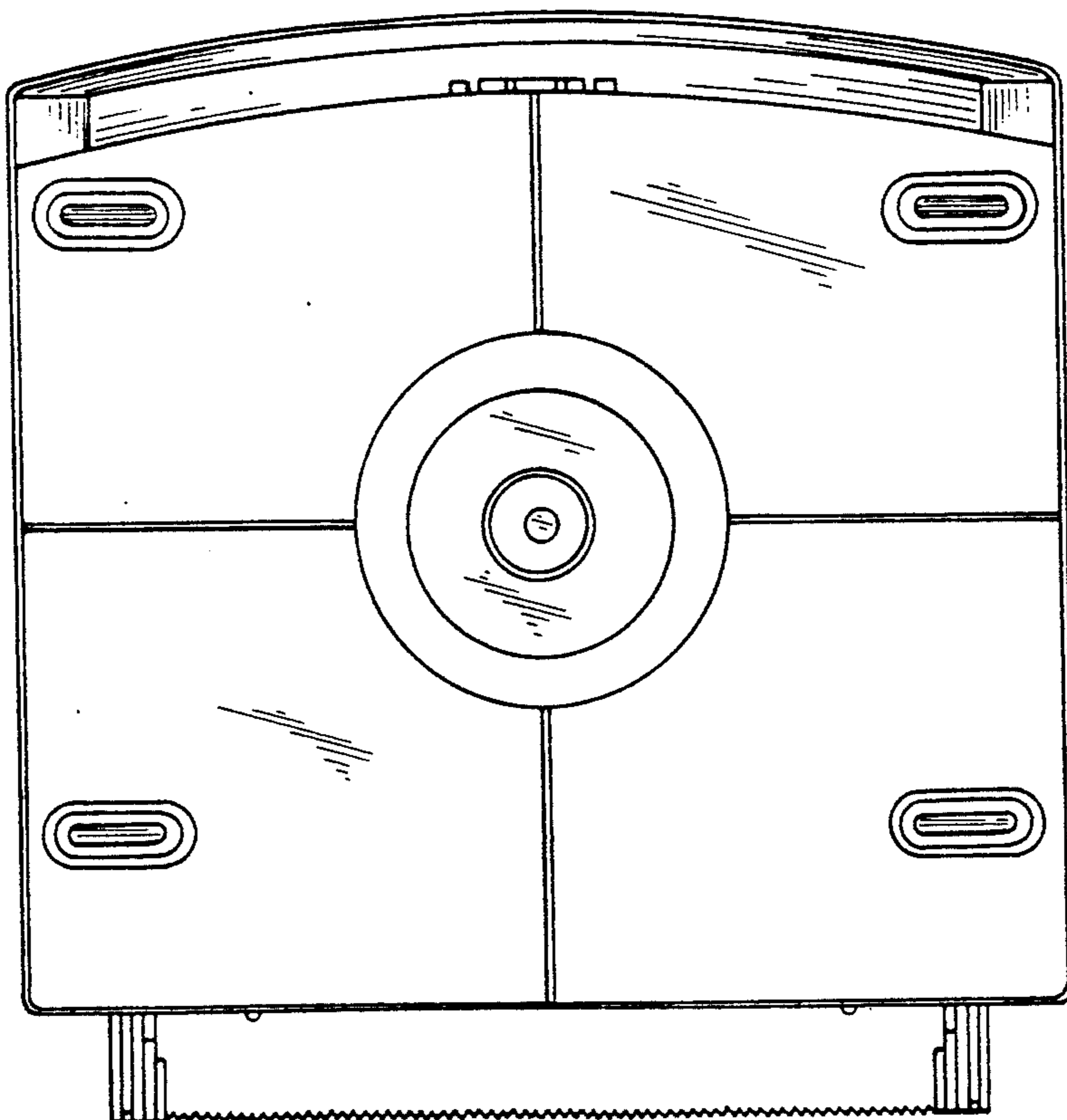
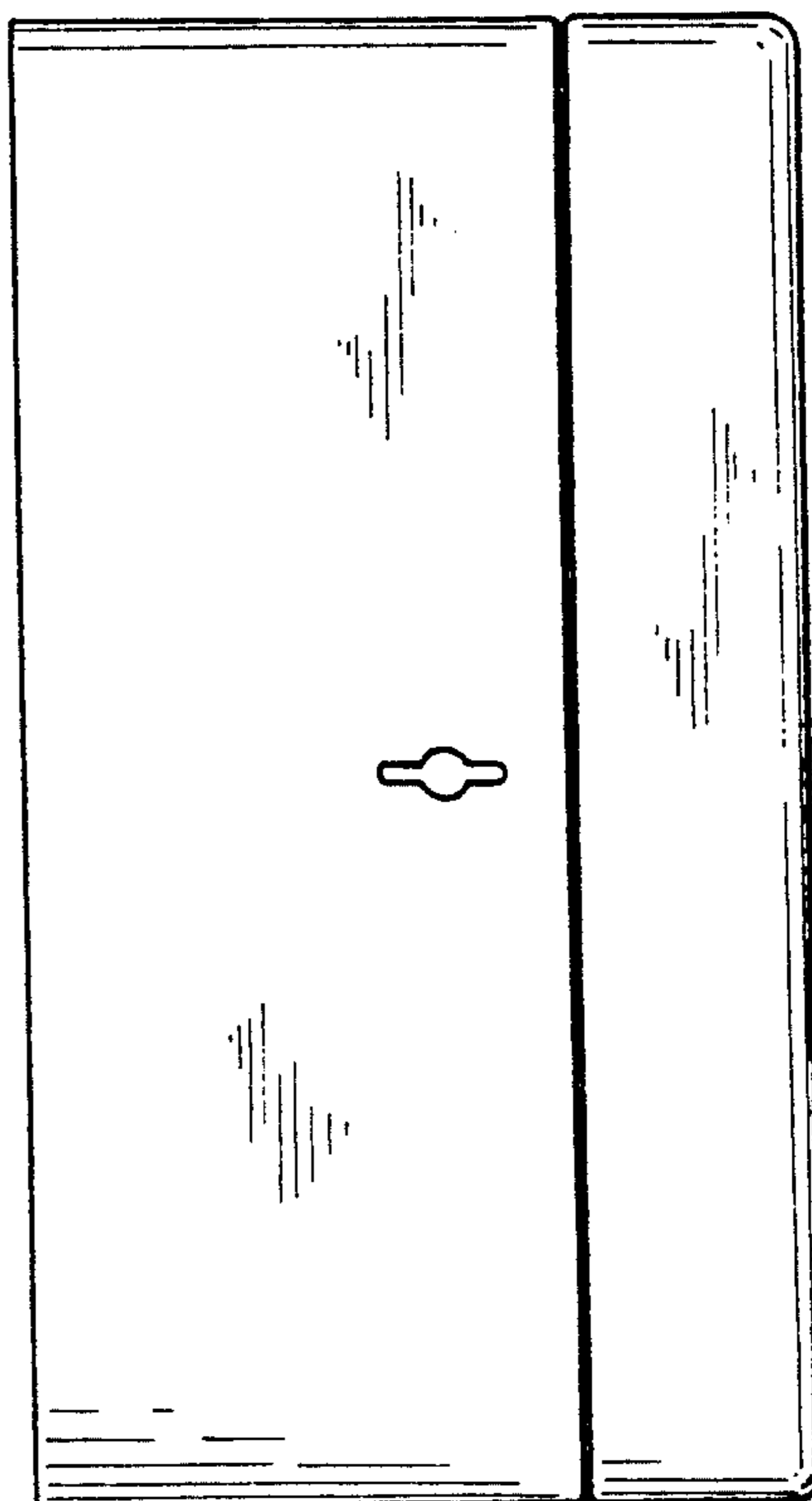


FIG. 6