



US00D348576S

# United States Patent [19]

[11] Patent Number: **Des. 348,576**

Narramore

[45] Date of Patent: **\*\* Jul. 12, 1994**

[54] **GUN CABINET**

D. 335,595 5/1993 Bowen ..... D6/472  
3,762,789 10/1973 Robertson ..... 211/64 X

[76] Inventor: **Jerry C. Narramore**, 4601 Linpark Dr., Birmingham, Ala. 35222

*Primary Examiner*—Alan P. Douglas  
*Assistant Examiner*—Jeffrey Asch  
*Attorney, Agent, or Firm*—Veal & Associates

[\*\*] Term: **14 Years**

[21] Appl. No.: **3,948**

[57] **CLAIM**

[22] Filed: **Jan. 22, 1993**

The ornamental design for a gun cabinet, as shown and described.

[52] U.S. Cl. .... **D6/470; D6/457**

[58] Field of Search ..... **D6/436-438, D6/470-472, 455, 449, 457, 458, 442; 211/64, 163, 13; 312/304, 305, 114, 128, 135; D34/19**

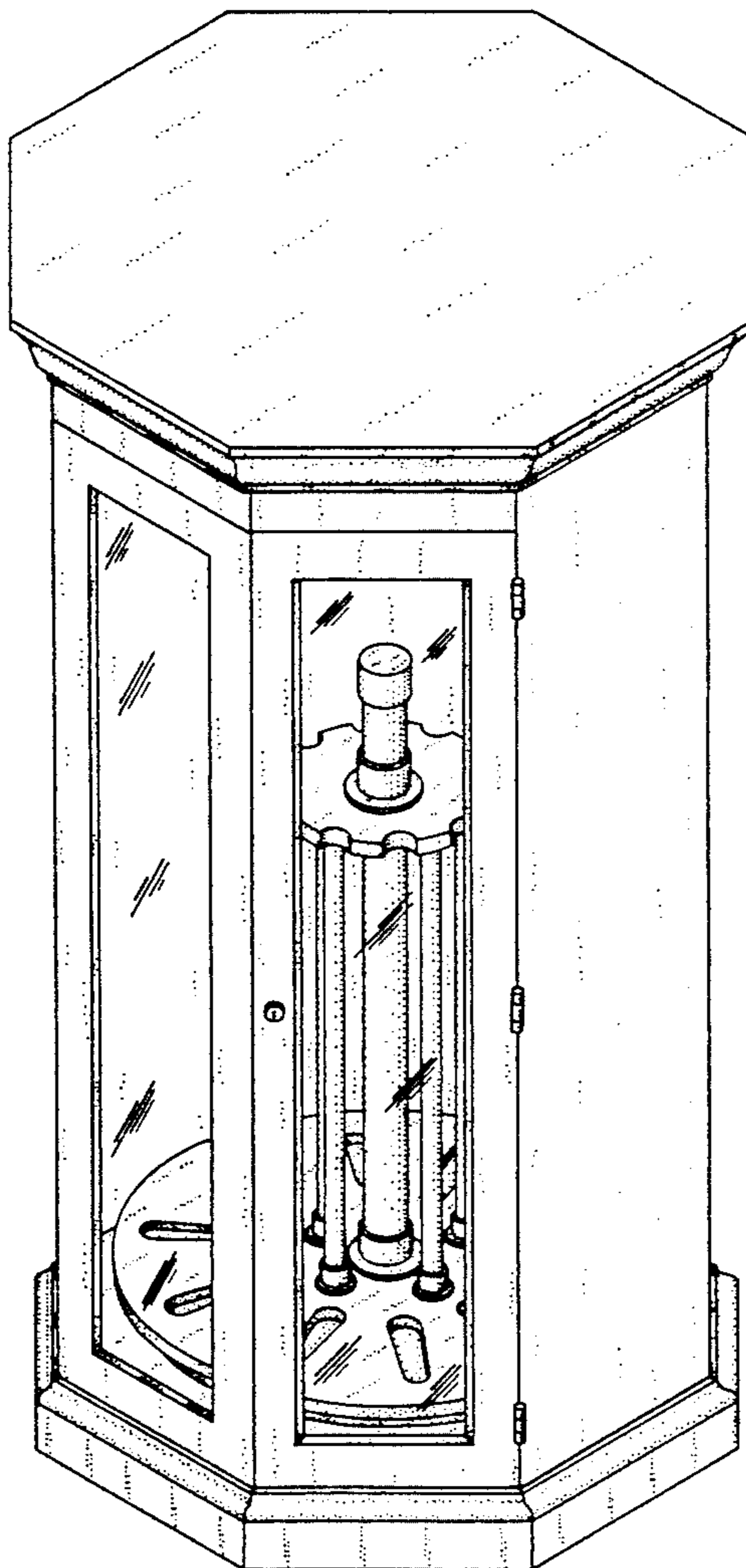
**DESCRIPTION**

[56] **References Cited**

**U.S. PATENT DOCUMENTS**

- D. 36,371 6/1903 Gantert ..... D6/470 X
- D. 175,470 8/1955 Kahn ..... D6/457
- D. 244,980 7/1977 Kippenbrock et al. .... D6/471 X
- D. 251,969 5/1979 Tucky ..... D34/19
- D. 252,430 7/1979 Oakley et al. .... D6/407 X
- D. 268,385 3/1983 Sinopoli ..... D6/471 X

FIG. 1 is a front perspective view of a gun cabinet showing my new design;  
 FIG. 2 is a top plan view thereof;  
 FIG. 3 is a front elevational view thereof;  
 FIG. 4 is a rear elevational view thereof;  
 FIG. 5 is a side elevational view as seen from the left side of FIG. 2;  
 FIG. 6 is a side elevational view as seen from the right side of FIG. 2; and,  
 FIG. 7 is a sectional view taken along line 7-7 of FIG. 6.



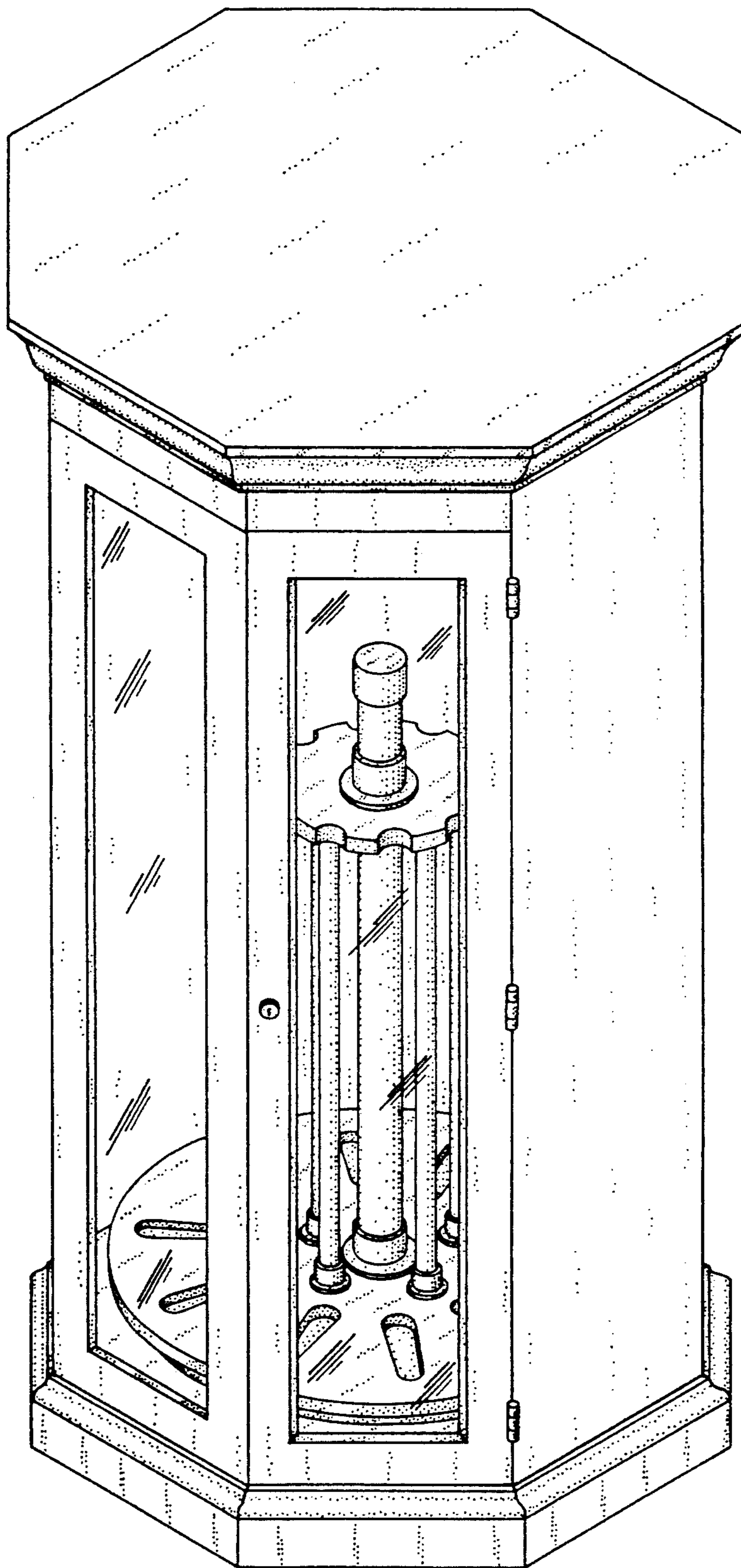


FIG. 1

FIG. 2

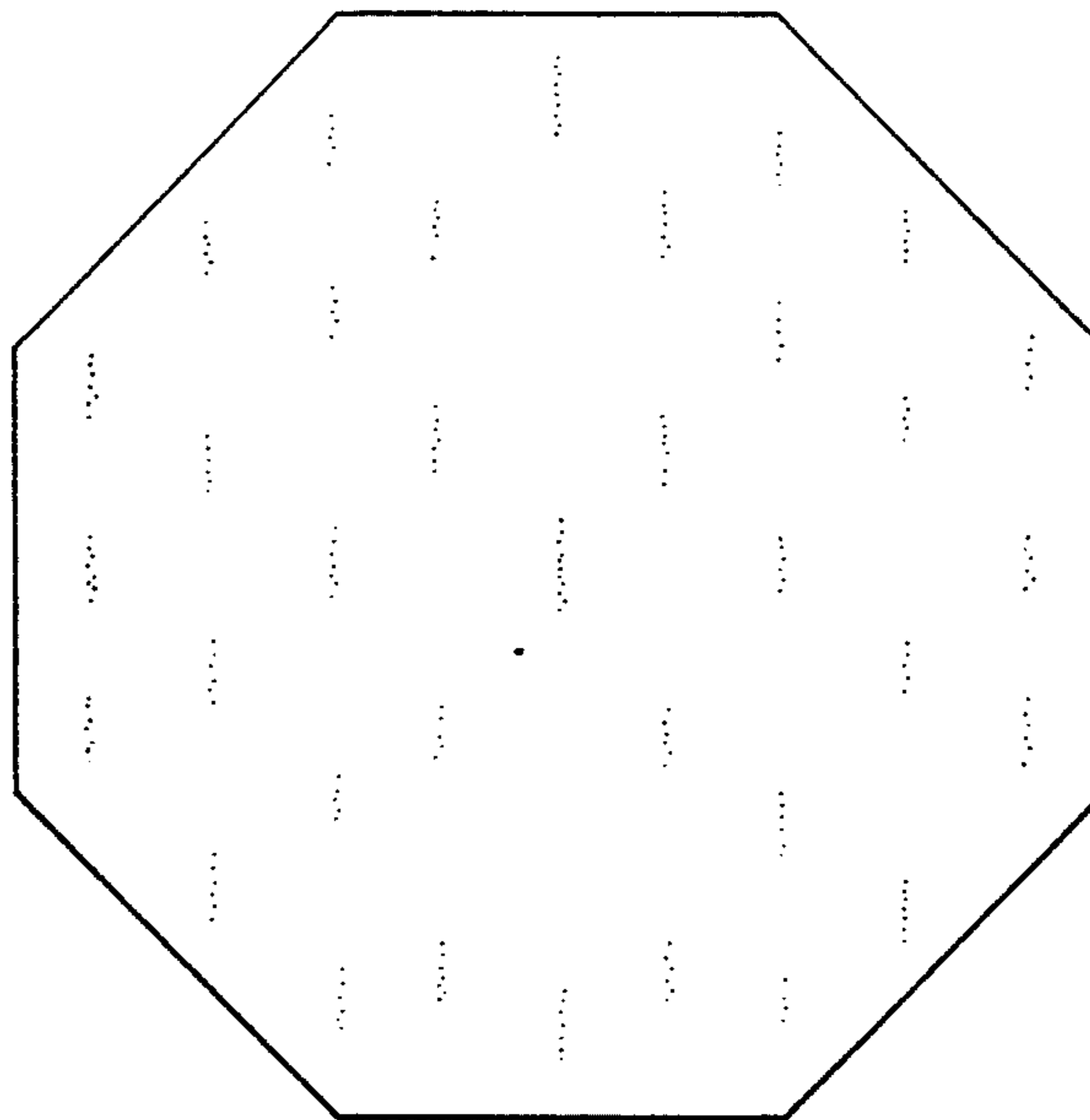
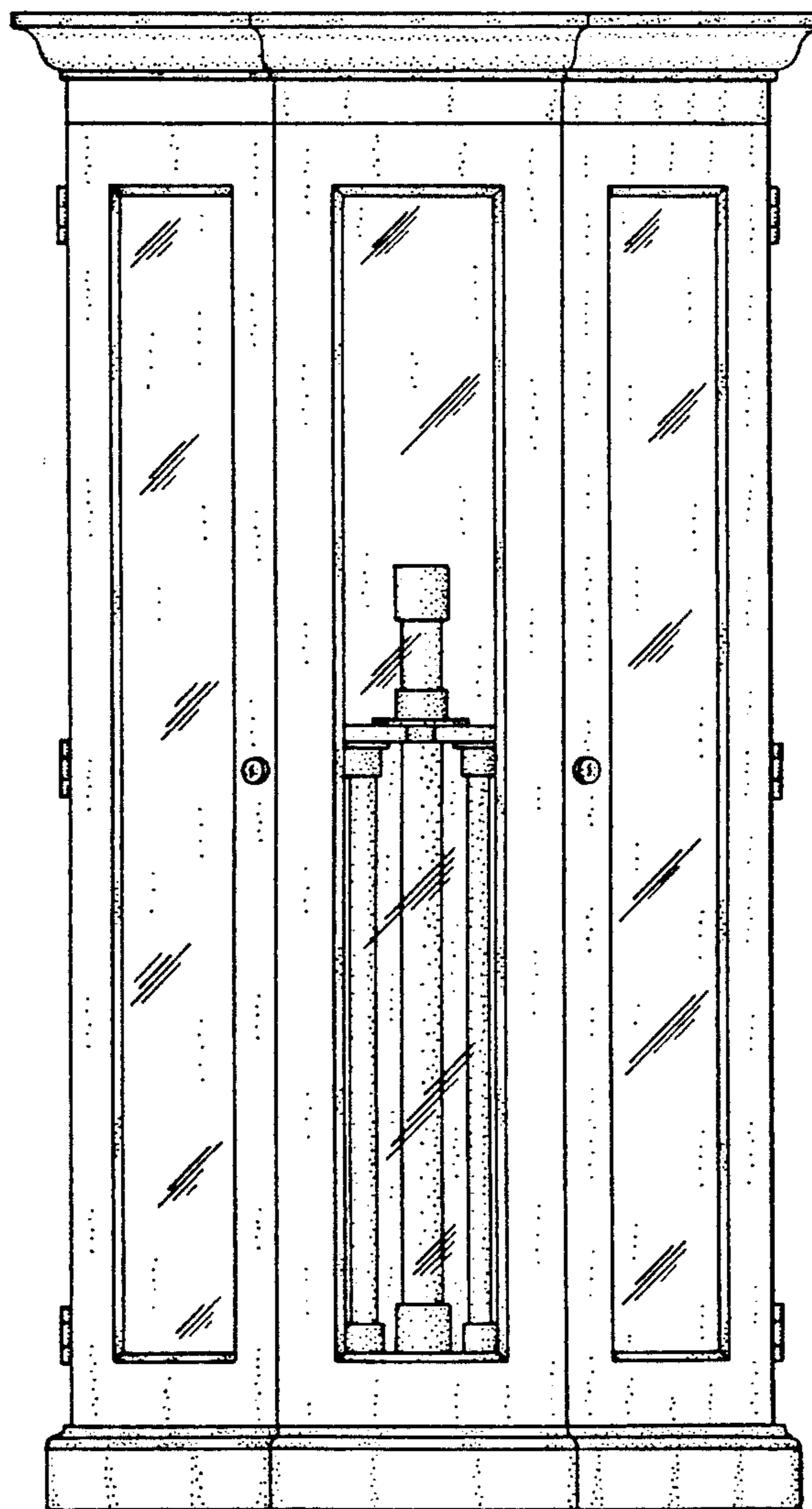


FIG. 3



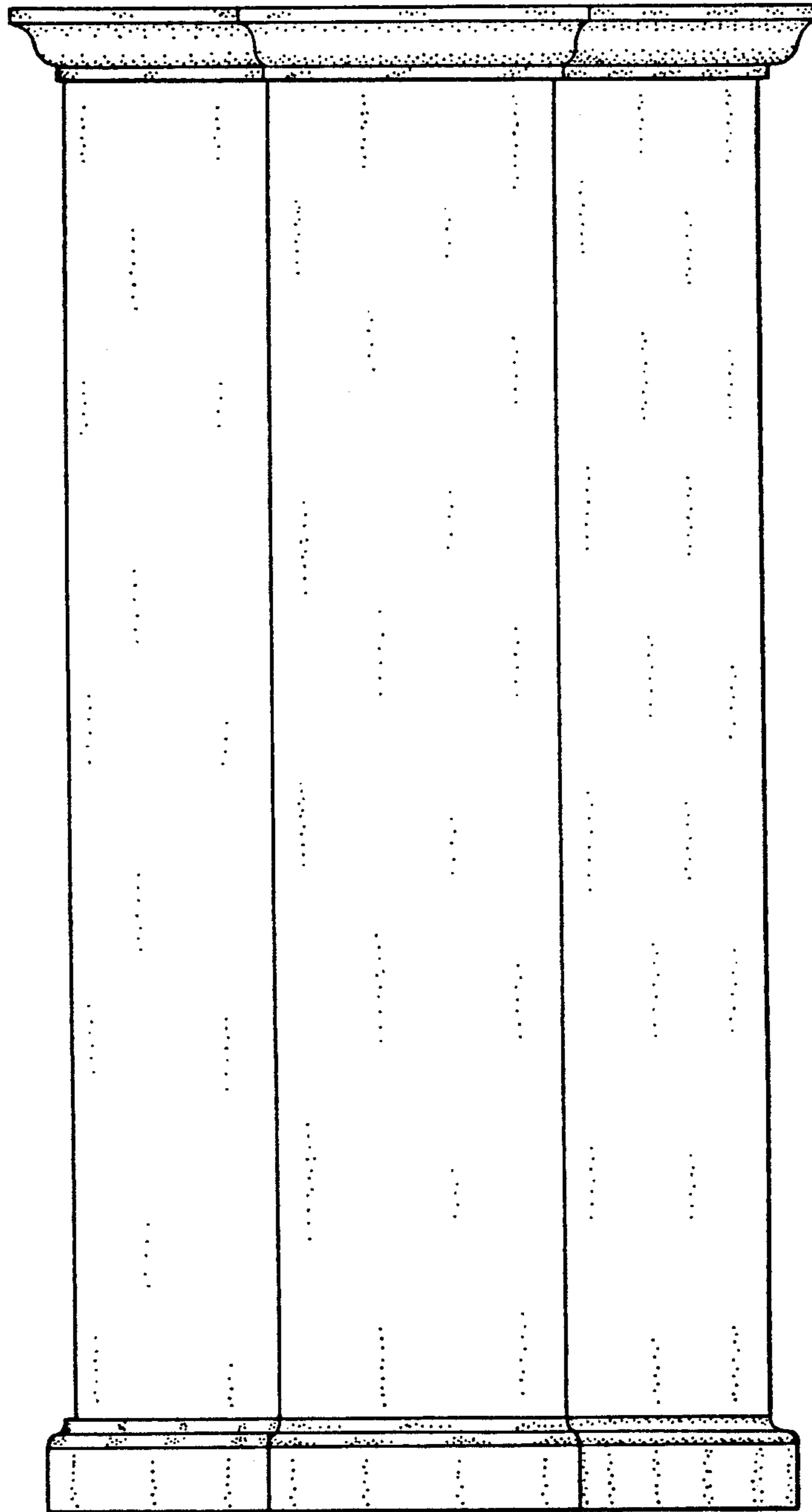


FIG. 4

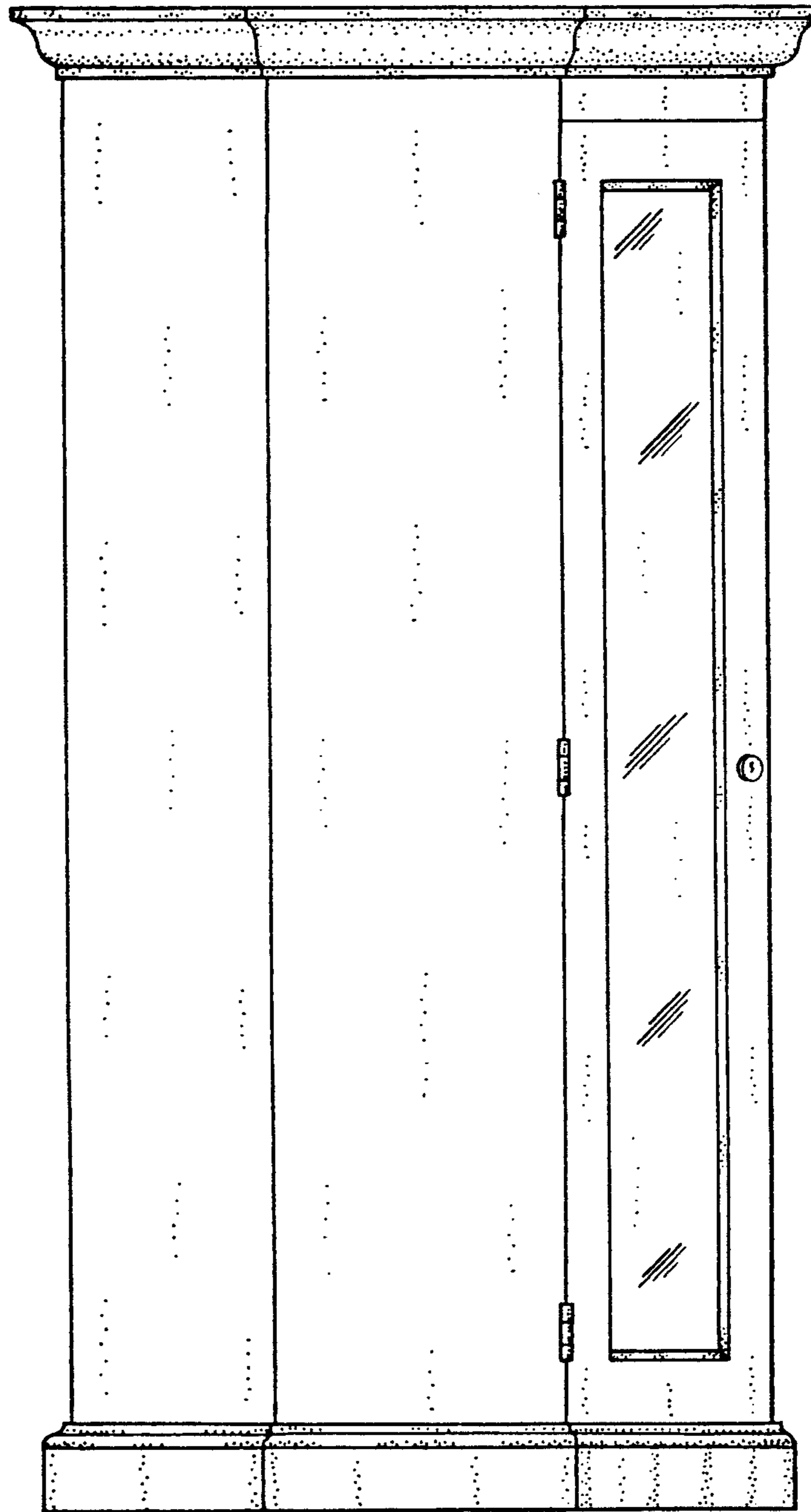


FIG. 5

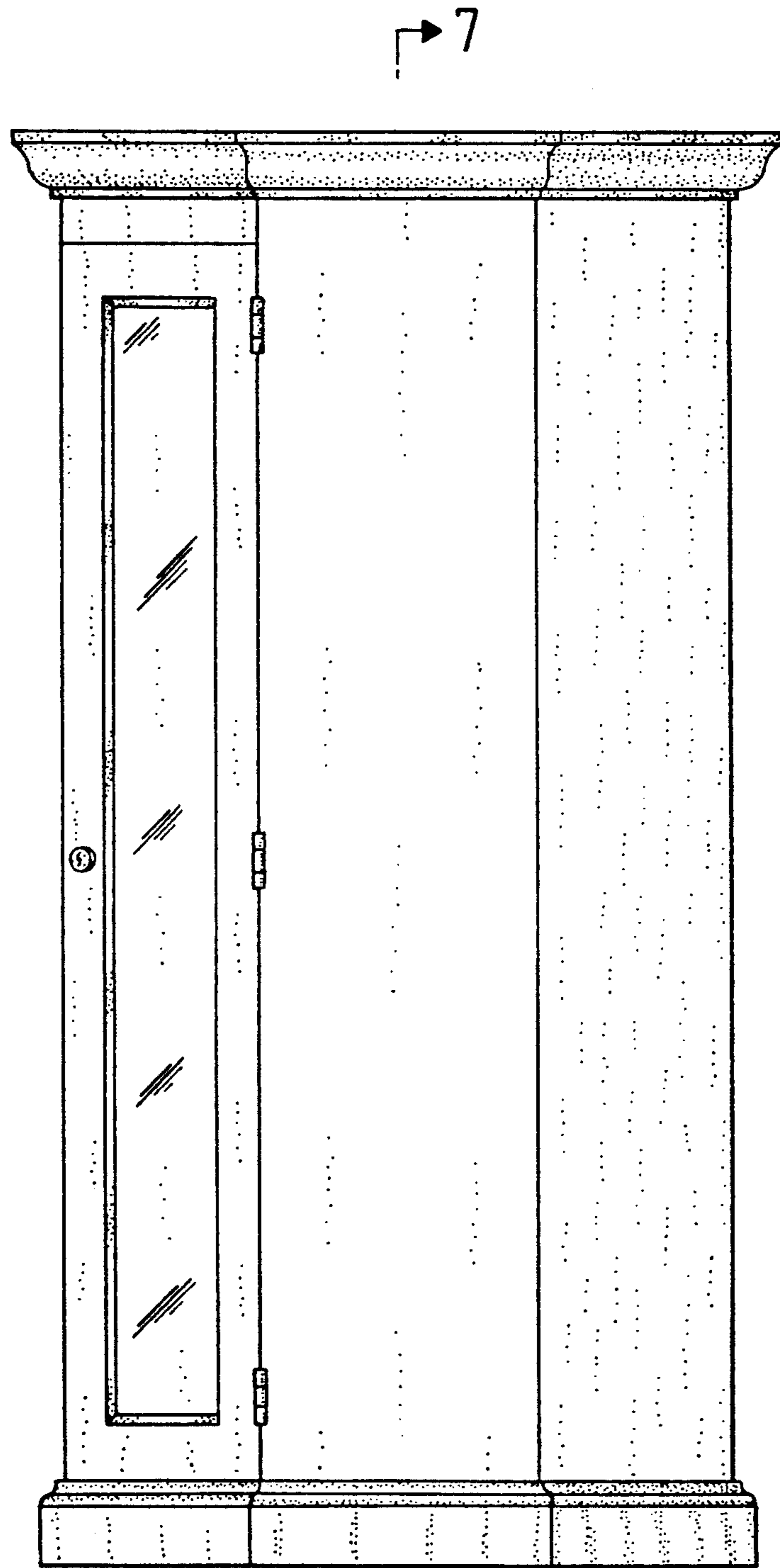


FIG. 6

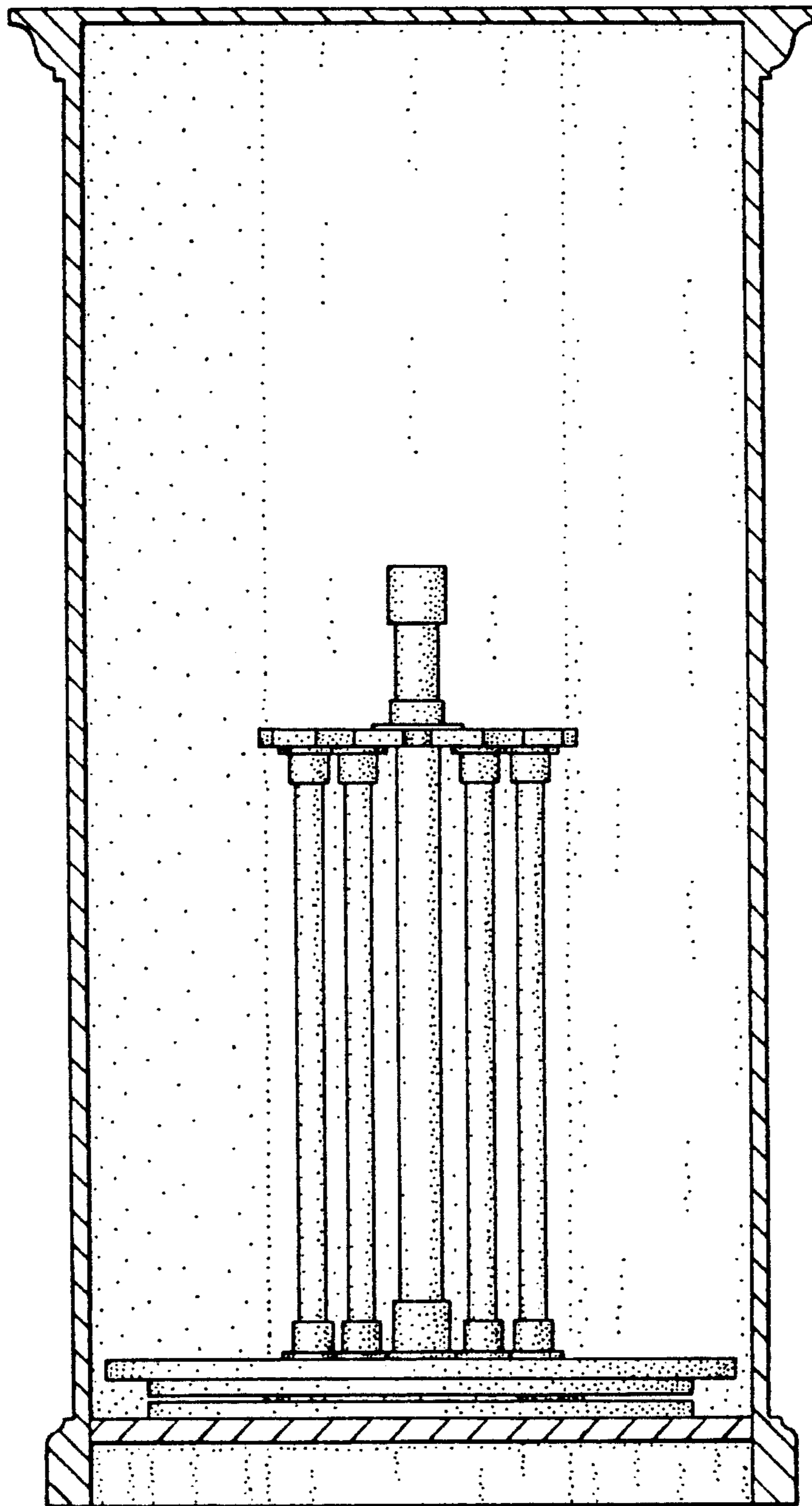


FIG. 7