



US00D348575S

United States Patent [19]

[11] Patent Number: **Des. 348,575**

Dunn

[45] Date of Patent: **** Jul. 12, 1994**

[54] **PACKAGE DISPLAY RACK**

[75] Inventor: **Henry L. Dunn, Parkton, Md.**

[73] Assignee: **Dunn Woodworks, Parkton, Md.**

[**] Term: **14 Years**

[21] Appl. No.: **864,024**

[22] Filed: **Apr. 6, 1992**

[52] U.S. Cl. **D6/457**

[58] Field of Search **D6/449, 455, 457-461, D6/462-465, 473; 211/169, 13, 40, 205, 163, 59.1, 57.1**

3,424,313	1/1969	Feibelman	211/163 X
3,938,665	2/1976	Rumble	211/40 X
4,361,241	11/1982	Stoddard .	
4,528,914	7/1985	Montet	211/169 X
4,756,429	7/1988	Lehman et al.	211/163 X

Primary Examiner—Alan P. Douglas
Assistant Examiner—Jeffrey Asch
Attorney, Agent, or Firm—Irvin A. Lavine

[57] **CLAIM**

The ornamental design for a package display rack, as shown and described.

DESCRIPTION

FIG. 1 is an elevational view of a package display rack showing my new design;
FIG. 2 is an elevational view taken with the rack turned 45° from FIG. 1;
FIG. 3 is a top view thereof;
FIG. 4 is a bottom view thereof; and,
FIG. 5 is a perspective view thereof taken from above and to one side thereof.
The broken line showing of a display header and display hooks is for illustrative purposes only.

[56] **References Cited**

U.S. PATENT DOCUMENTS

D. 48,940	4/1916	Key	D6/449
D. 242,751	12/1976	Wells	D6/473 X
D. 245,131	7/1977	Johnsson	D6/460
69,302	10/1867	Arnold .	
1,353,670	9/1920	Straith .	
2,247,774	7/1941	Forsyth .	
2,890,801	6/1959	Ladd et al. .	

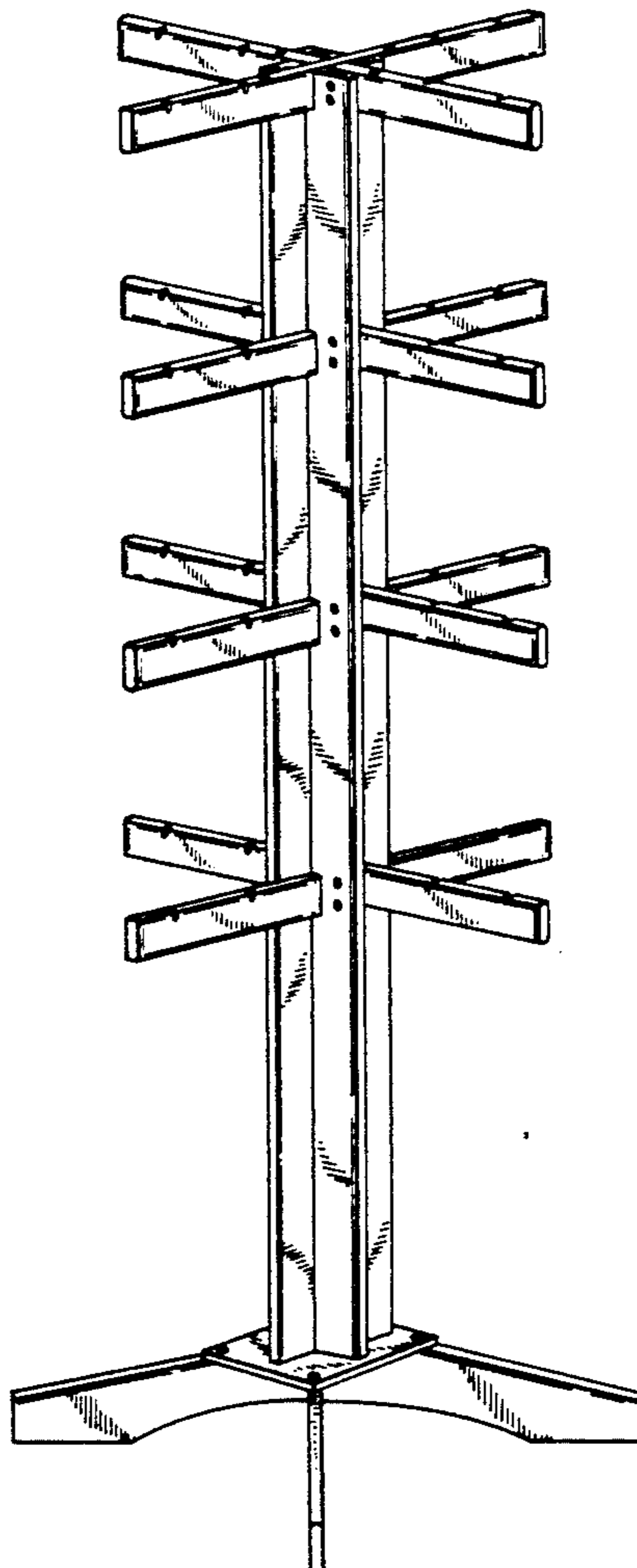


FIG. 1

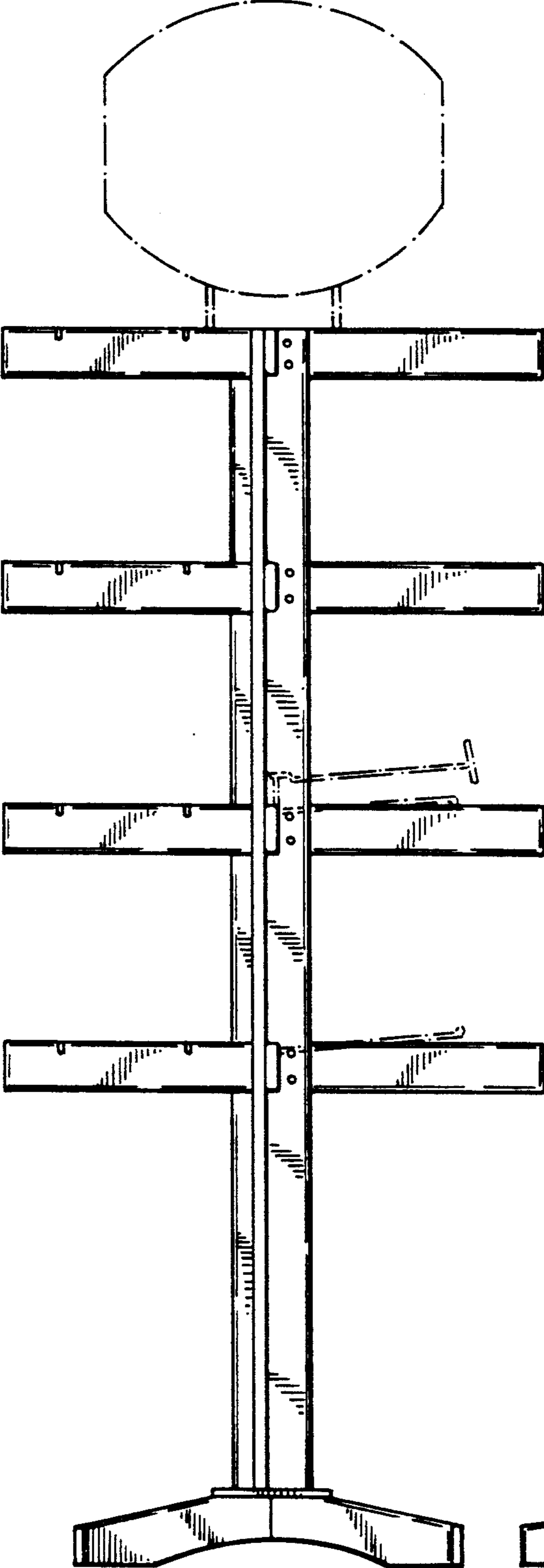


FIG. 2

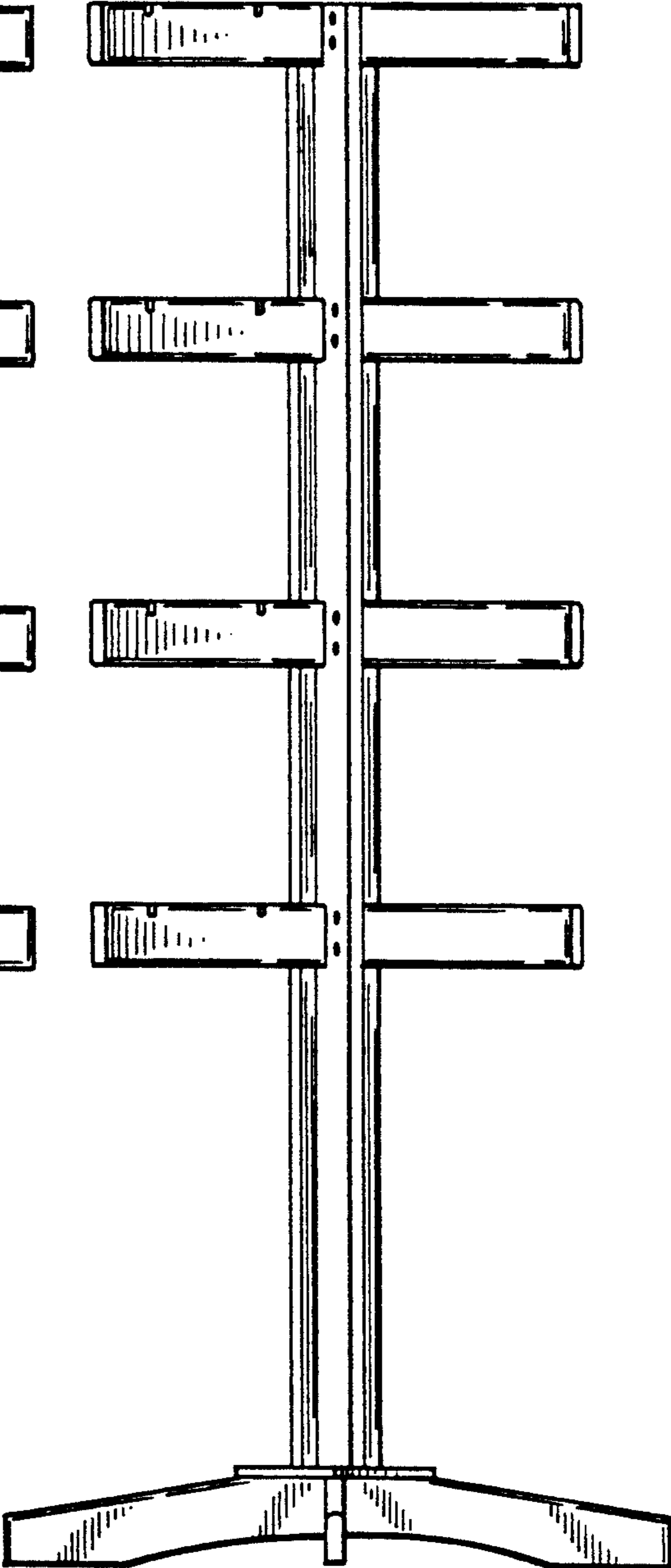


FIG. 3

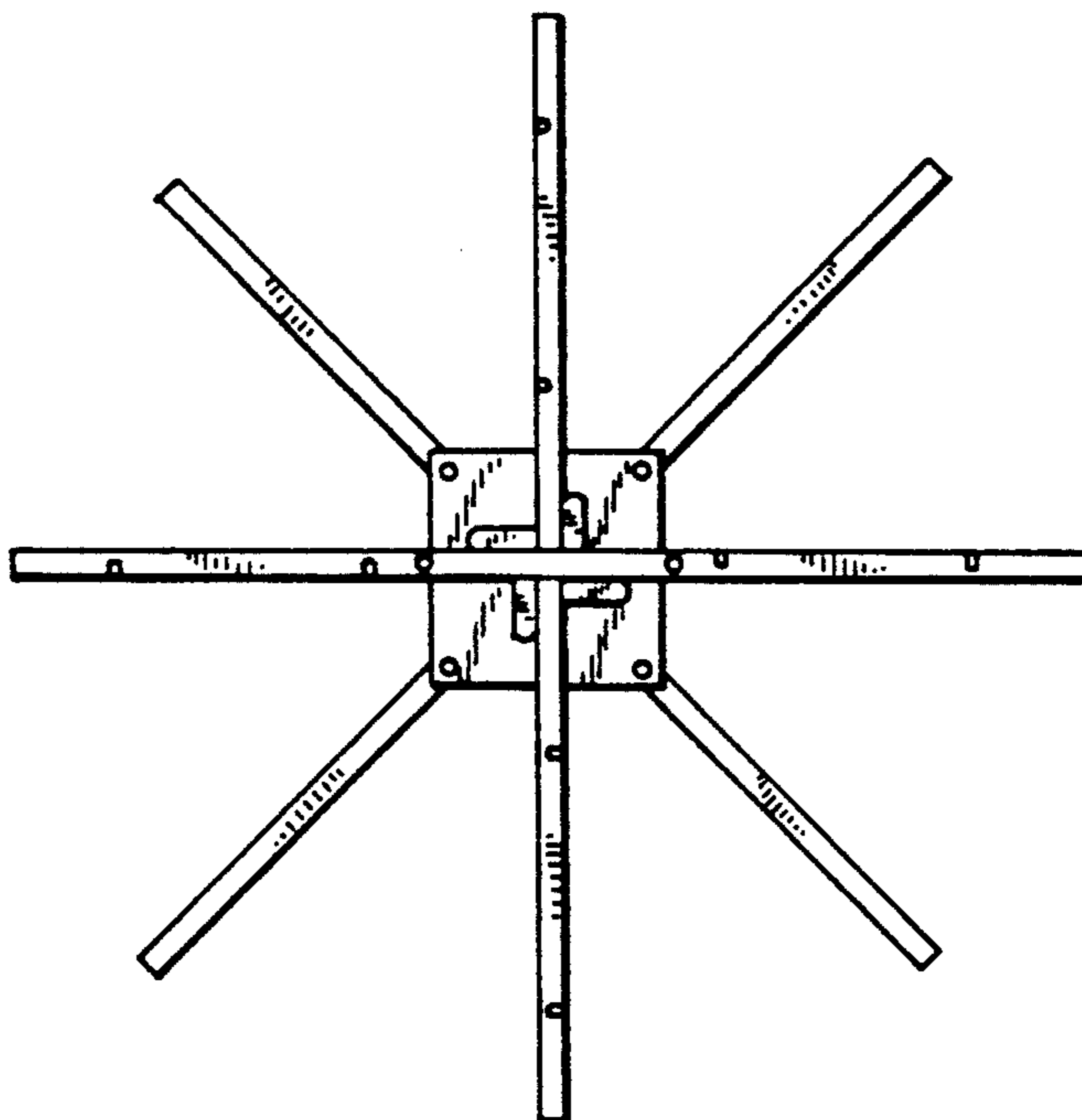


FIG. 4

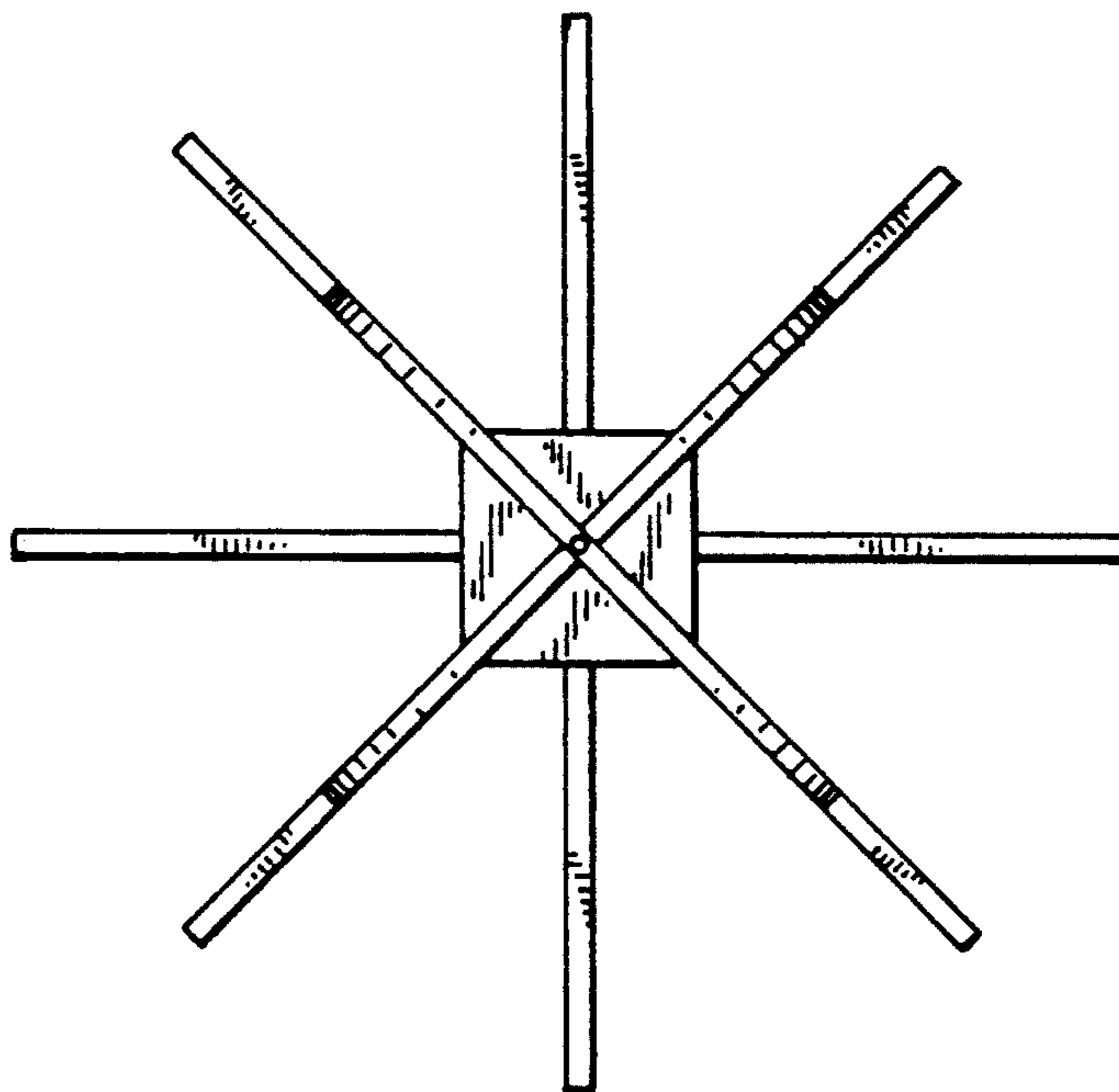


FIG. 5

