



US00D348574S

United States Patent [19]

[11] Patent Number: **Des. 348,574**

Brunner et al.

[45] Date of Patent: *** Jul. 12, 1994**

[54] CHEST

[75] Inventors: **Merlin A. Brunner**, Appleton;
Harvey J. Draheim, Weyauwega,
both of Wis.

[73] Assignee: **Simmons Juvenile Products
Company, Inc.**, New London, Wis.

[*] Notice: The portion of the term of this patent
subsequent to May 10, 2008 has been
disclaimed.

[**] Term: **14 Years**

[21] Appl. No.: **925,592**

[22] Filed: **Aug. 4, 1992**

[52] U.S. Cl. **D6/446**

[58] Field of Search **D6/432-448;**
312/204, 257, 224-226, 297

[56] **References Cited**

U.S. PATENT DOCUMENTS

D. 98,636 2/1936 Wright D6/446
D. 105,874 8/1937 Jiranek D6/441
D. 129,482 9/1941 Jiranek D6/441

D. 159,488 8/1950 Jiranek D6/446
D. 222,080 9/1971 Carlson D6/446
D. 274,963 8/1984 Brunner et al. D6/446
D. 305,708 1/1990 Newhouse D6/446
D. 340,820 11/1993 Frischer D6/441

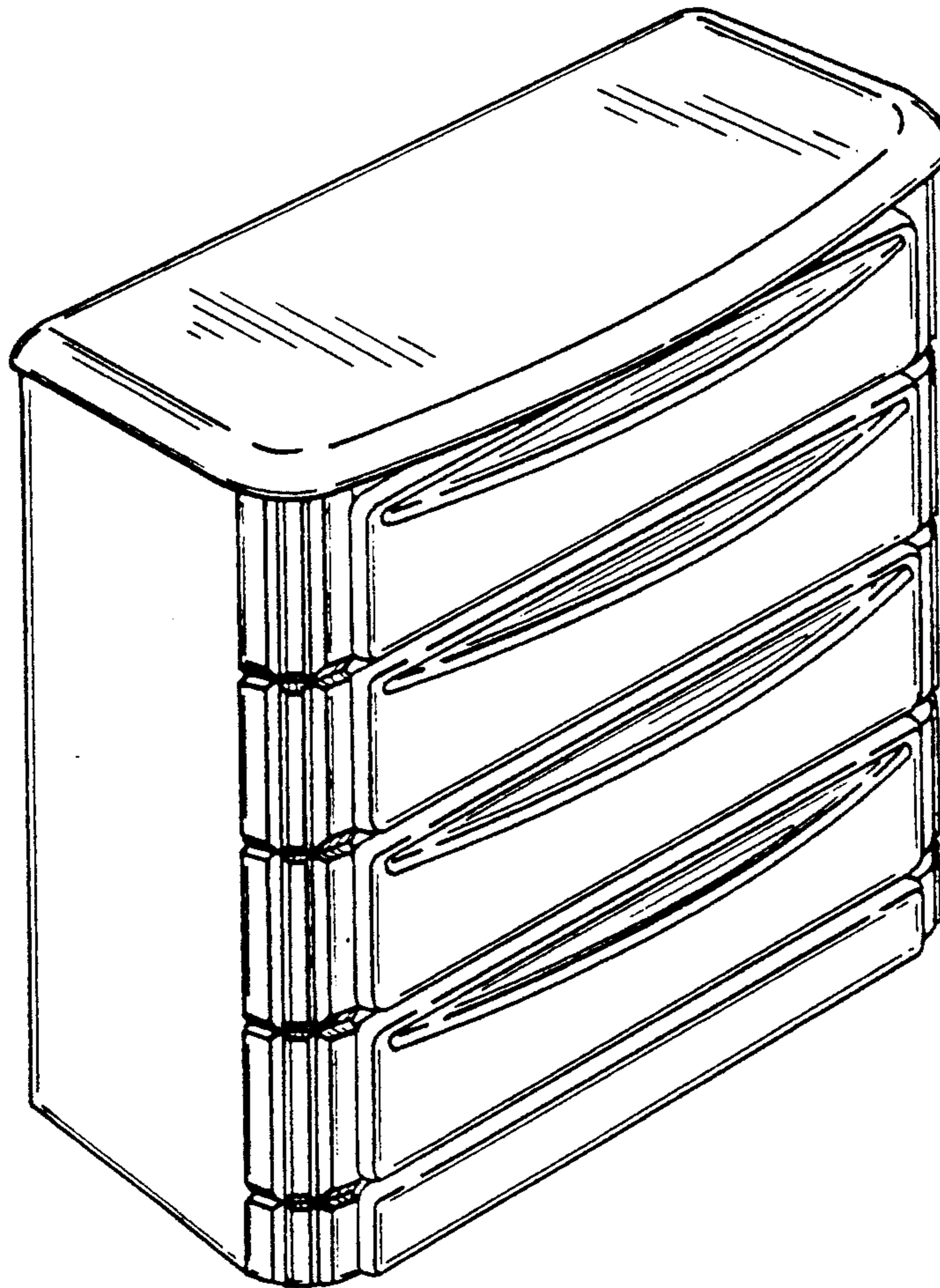
Primary Examiner—Alan P. Douglas
Assistant Examiner—Jeffrey Asch
Attorney, Agent, or Firm—Hoffmann & Baron

[57] **CLAIM**

The ornamental design for a chest, as shown and described.

DESCRIPTION

FIG. 1 is a front perspective view of a chest showing our new design;
FIG. 2 is a side elevation view thereof, the opposite side being a mirror image thereof;
FIG. 3 is a top plan view thereof;
FIG. 4 is a front elevation view thereof;
FIG. 5 is a rear elevation view thereof;
FIG. 6 is a bottom plan view thereof;
FIG. 7 is an enlarged sectional view taken through line 7-7 of FIG. 4; and,
FIG. 8 is an enlarged sectional view taken through line 8-8 of FIG. 4.



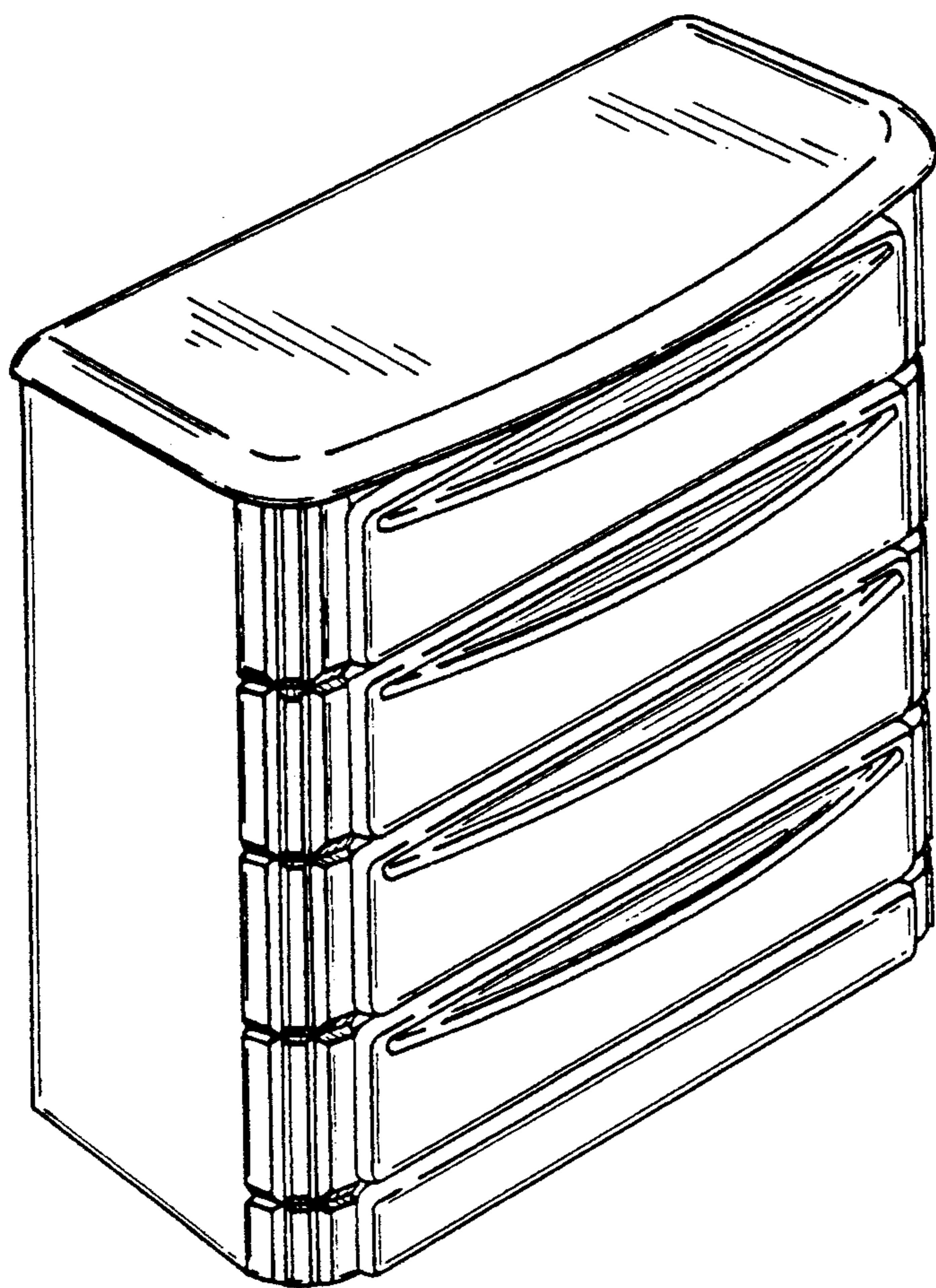


FIG-1

FIG-2

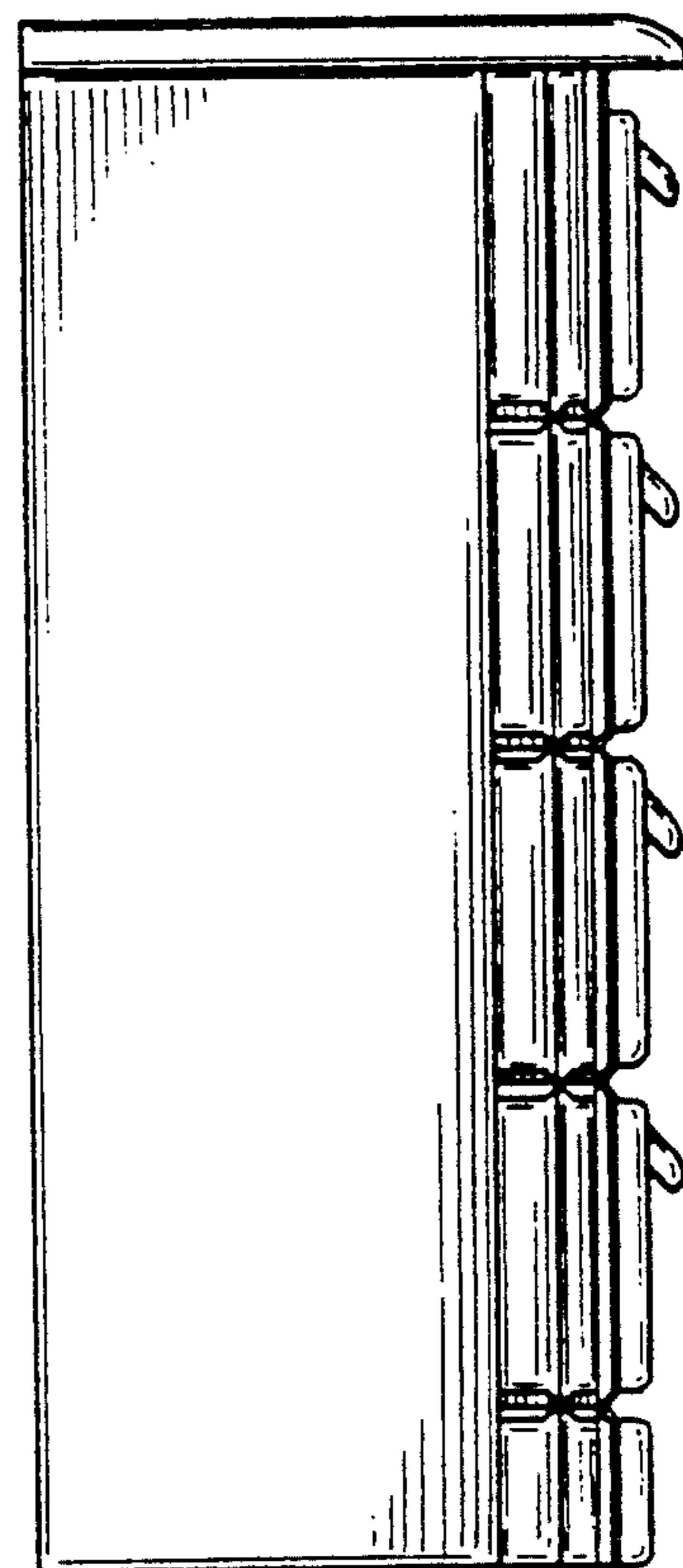


FIG-3

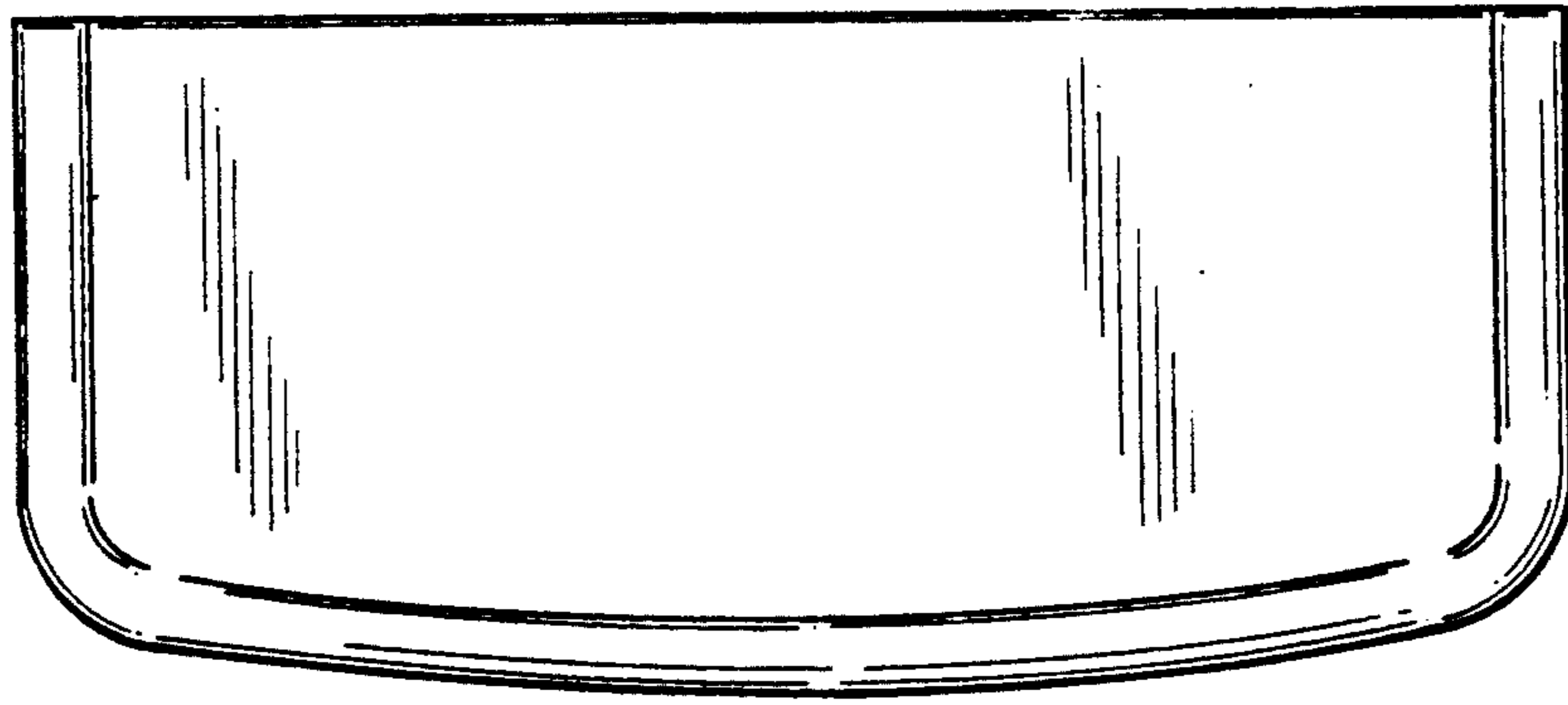


FIG-4

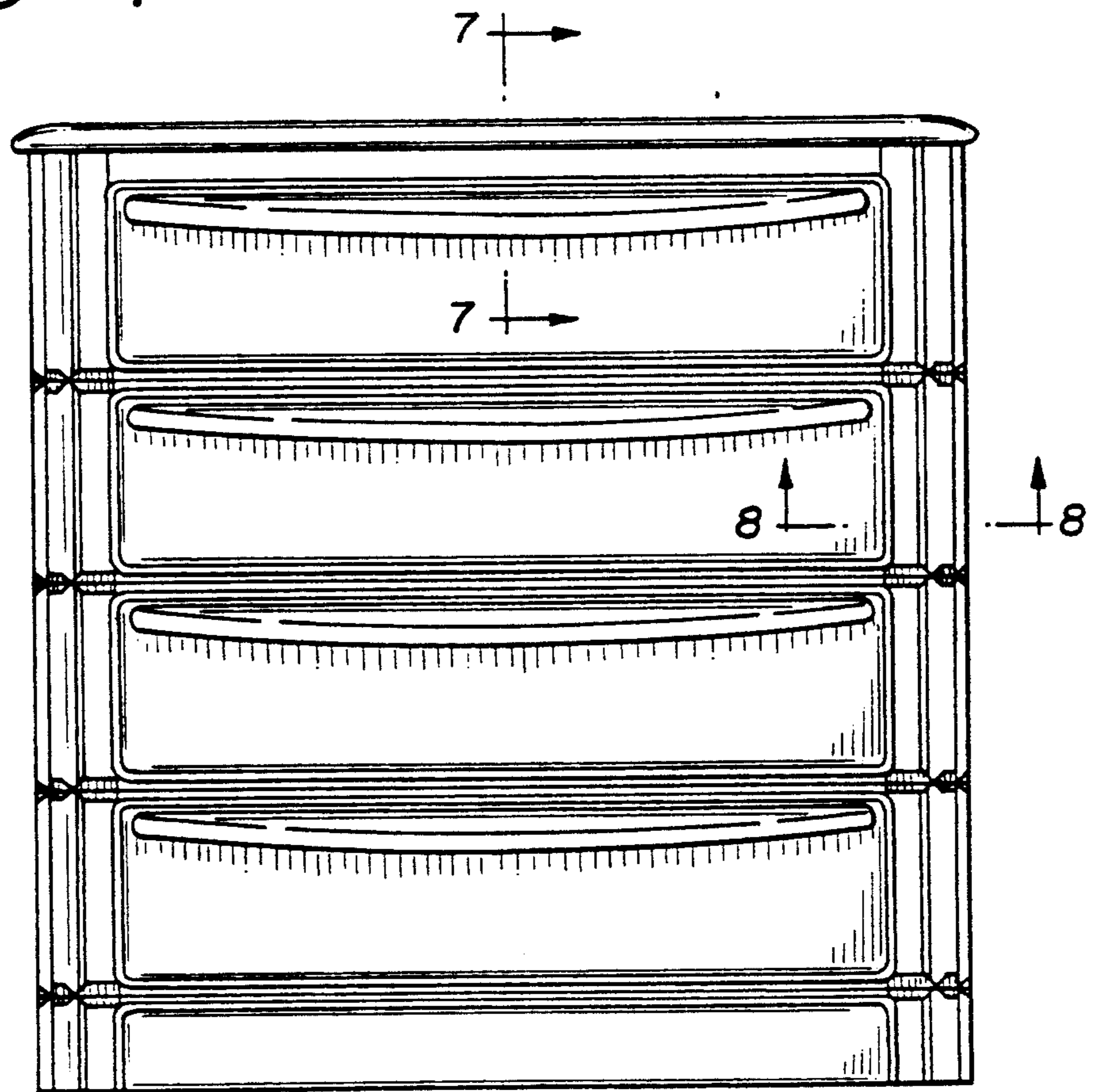


FIG-5

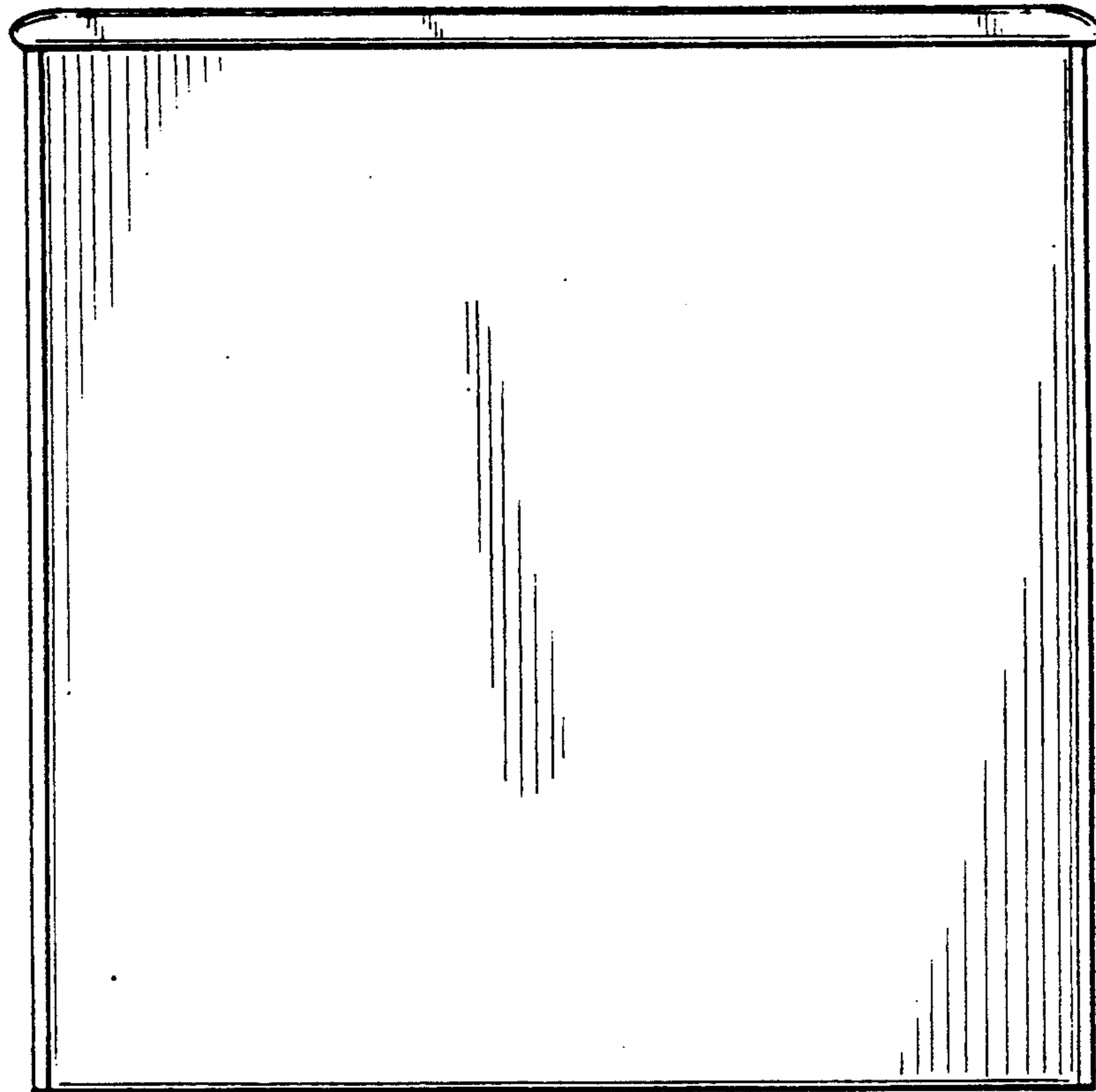


FIG-6

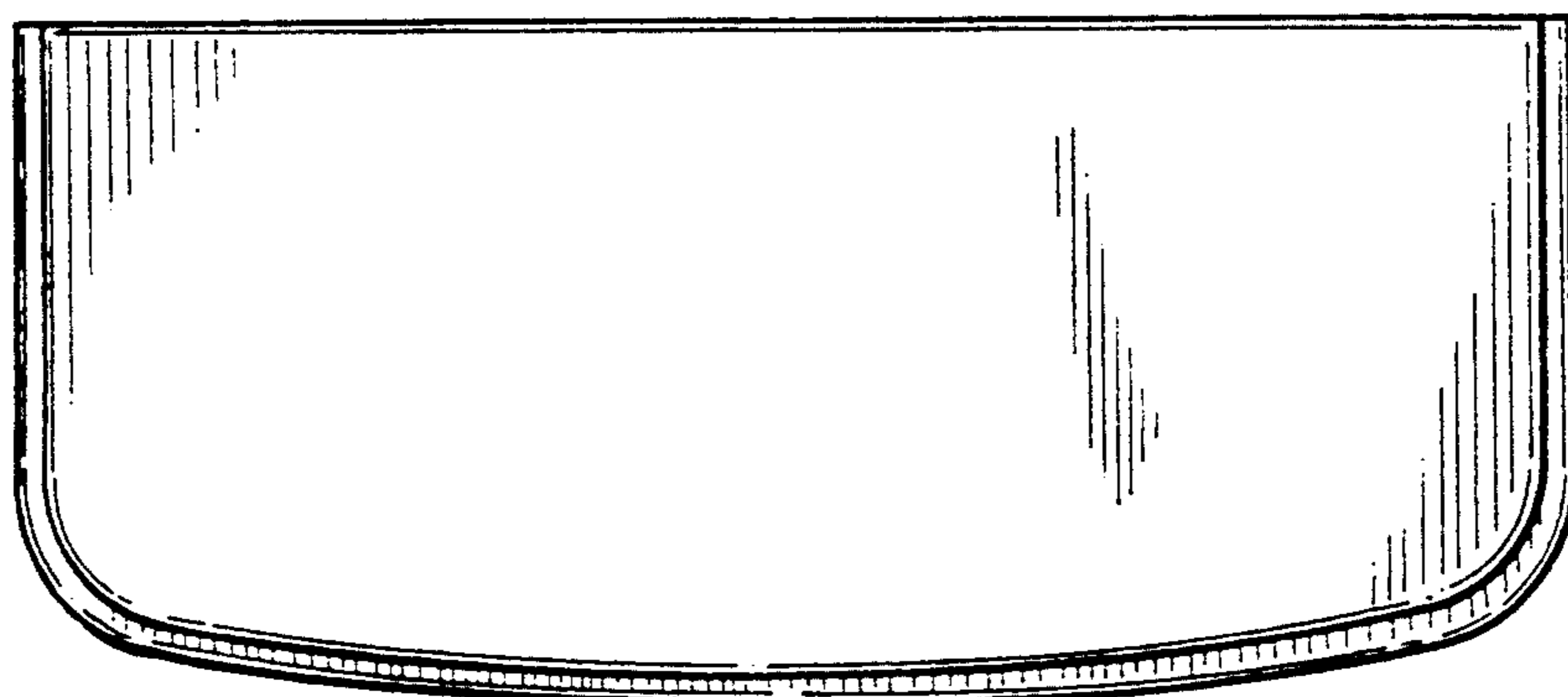


FIG-7

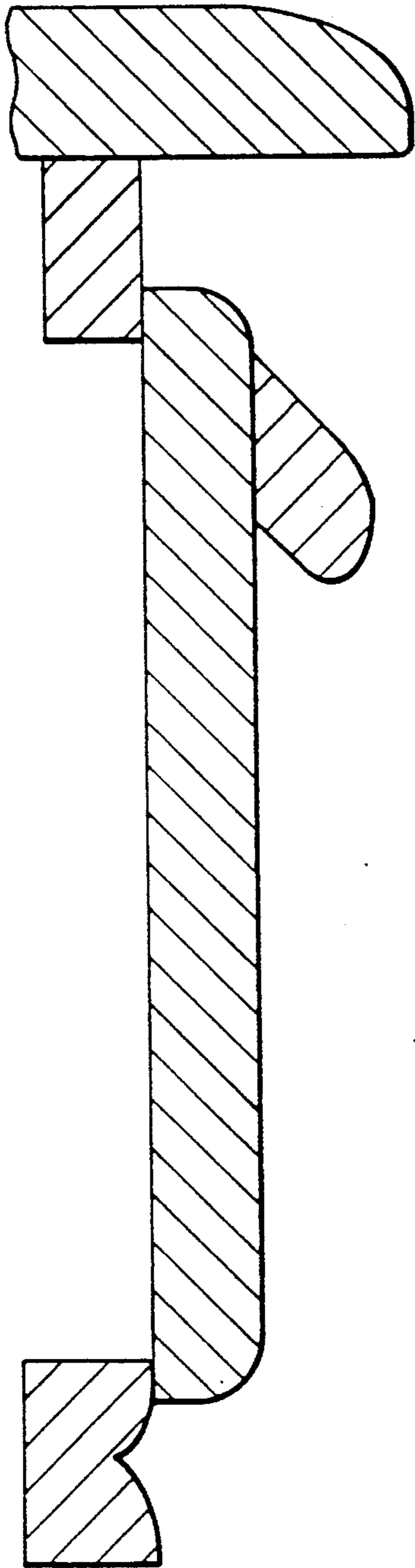


FIG-8

