



US00D348573S

United States Patent [19]

[11] Patent Number: **Des. 348,573**

Ewald

[45] Date of Patent: **** Jul. 12, 1994**

[54] **GARDENER'S WORK BENCH**

[75] Inventor: **Donald C. Ewald, Walden, N.Y.**

[73] Assignee: **Vertex Services Ltd., Greenwich, Conn.**

[**] Term: **14 Years**

[21] Appl. No.: **844,420**

[22] Filed: **Mar. 3, 1992**

[52] U.S. Cl. **D6/400; D6/405**

[58] Field of Search **D6/400, 403-405, D6/429-431; 47/1.01, 66, 73; 108/24, 25, 28; 144/285, 286 R, 286 A**

[56] **References Cited**

U.S. PATENT DOCUMENTS

D. 250,238 11/1978 Minsky D6/429

D. 254,112 2/1980 Handler et al. D6/431
D. 307,365 4/1990 Dry et al. D6/429
D. 328,125 7/1992 Bae D6/429 X

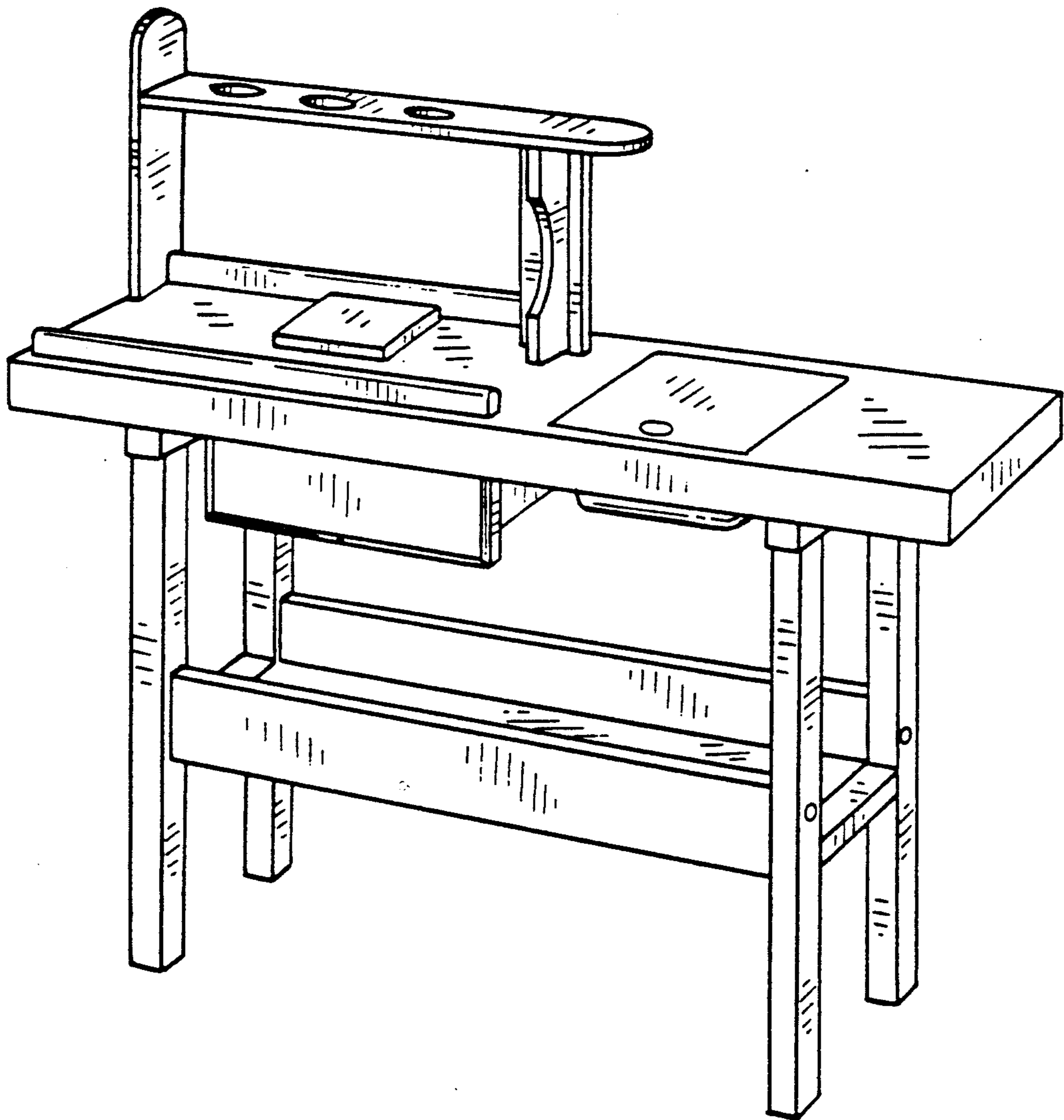
Primary Examiner—Alan P. Douglas
Assistant Examiner—Jeffrey Asch
Attorney, Agent, or Firm—Rodman & Rodman

[57] **CLAIM**

The ornamental design for a gardener's work bench, as shown and described.

DESCRIPTION

FIG. 1 is a front perspective view of a gardener's work bench showing my new design;
FIG. 2 is a front elevational view thereof;
FIG. 3 is a top plan view thereof;
FIG. 4 is a right side elevational view thereof;
FIG. 5 is a left side elevational view thereof; and,
FIG. 6 is a rear elevational view thereof.



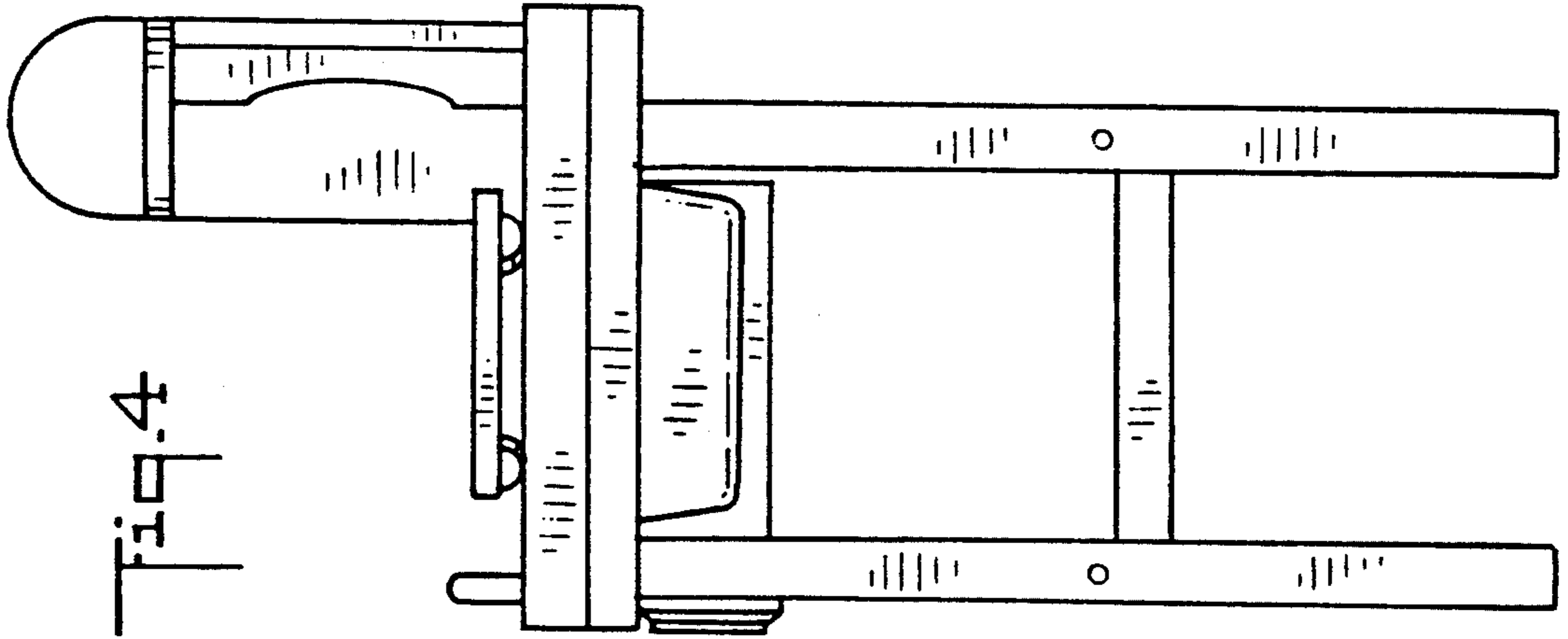


Fig. 4

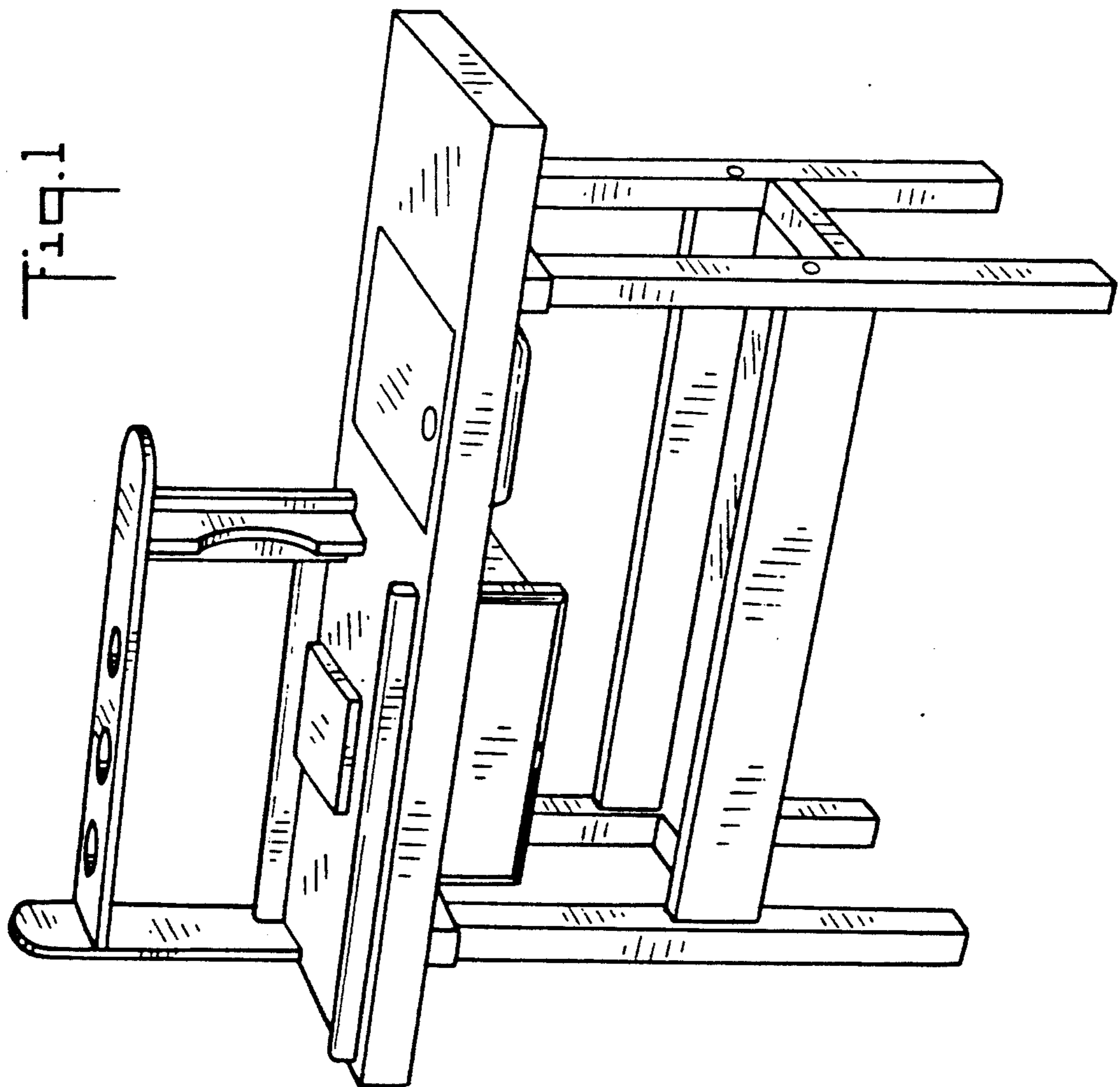


Fig. 1

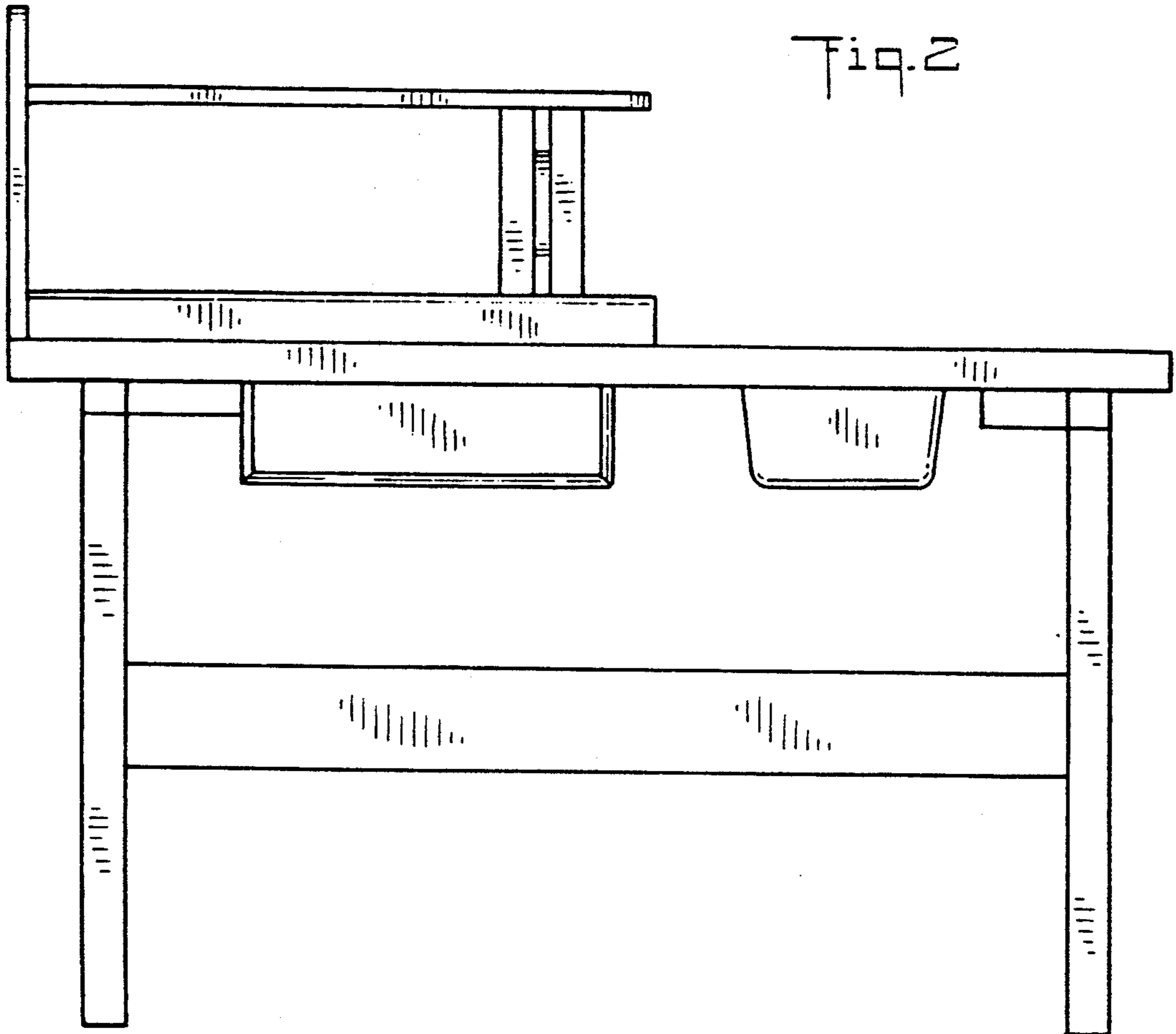
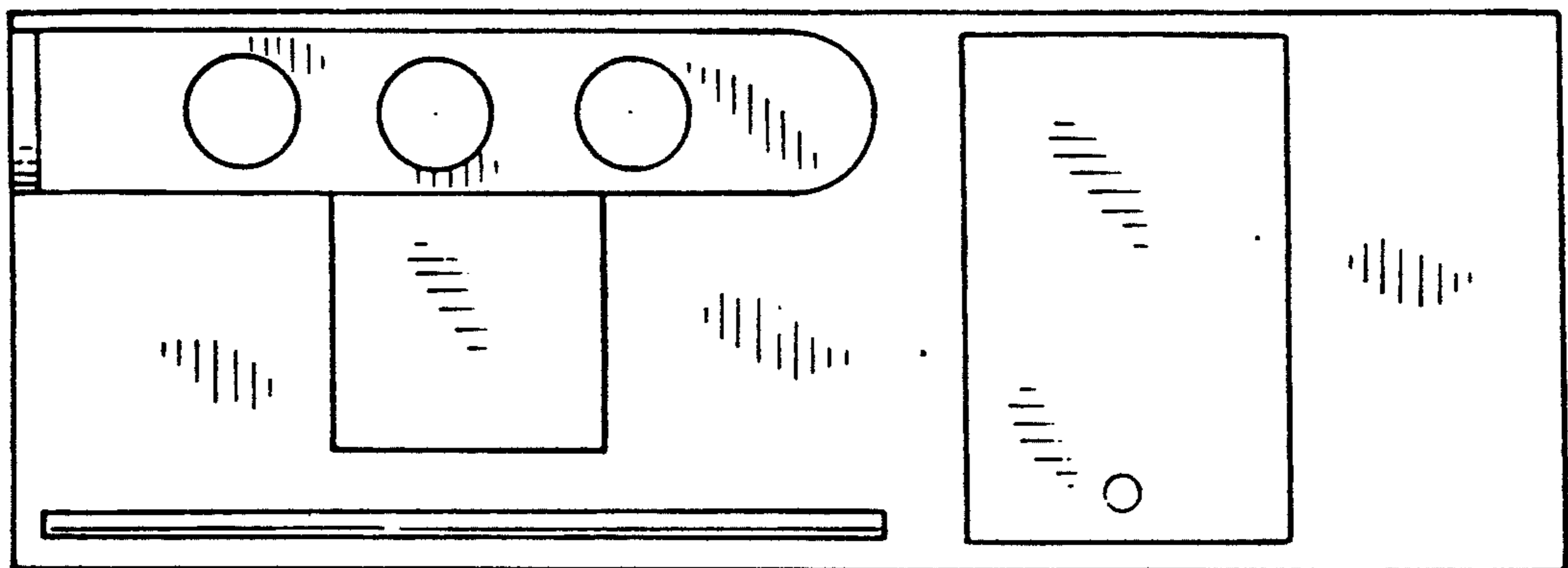


Fig. 2

Fig. 3



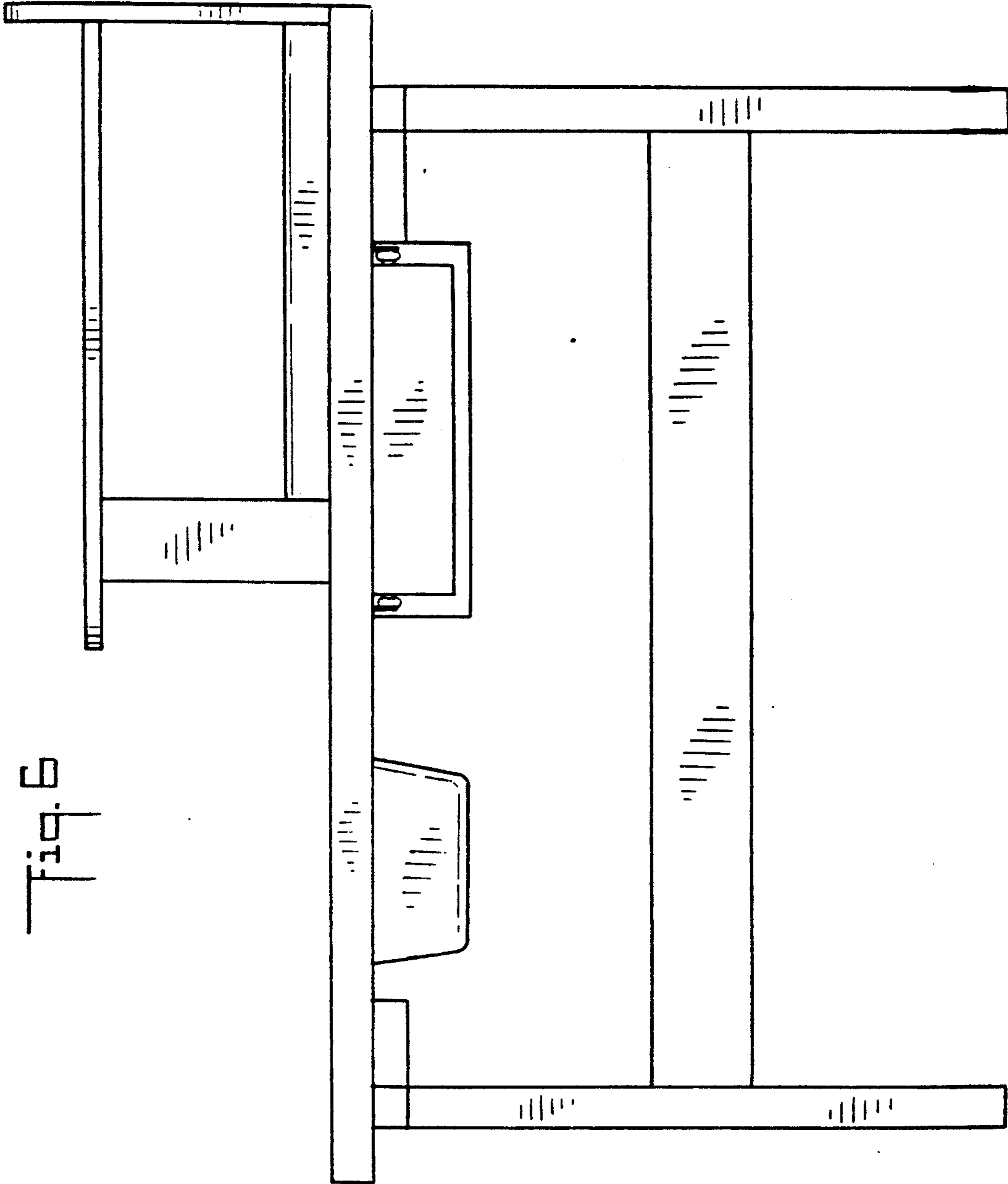


Fig. 6

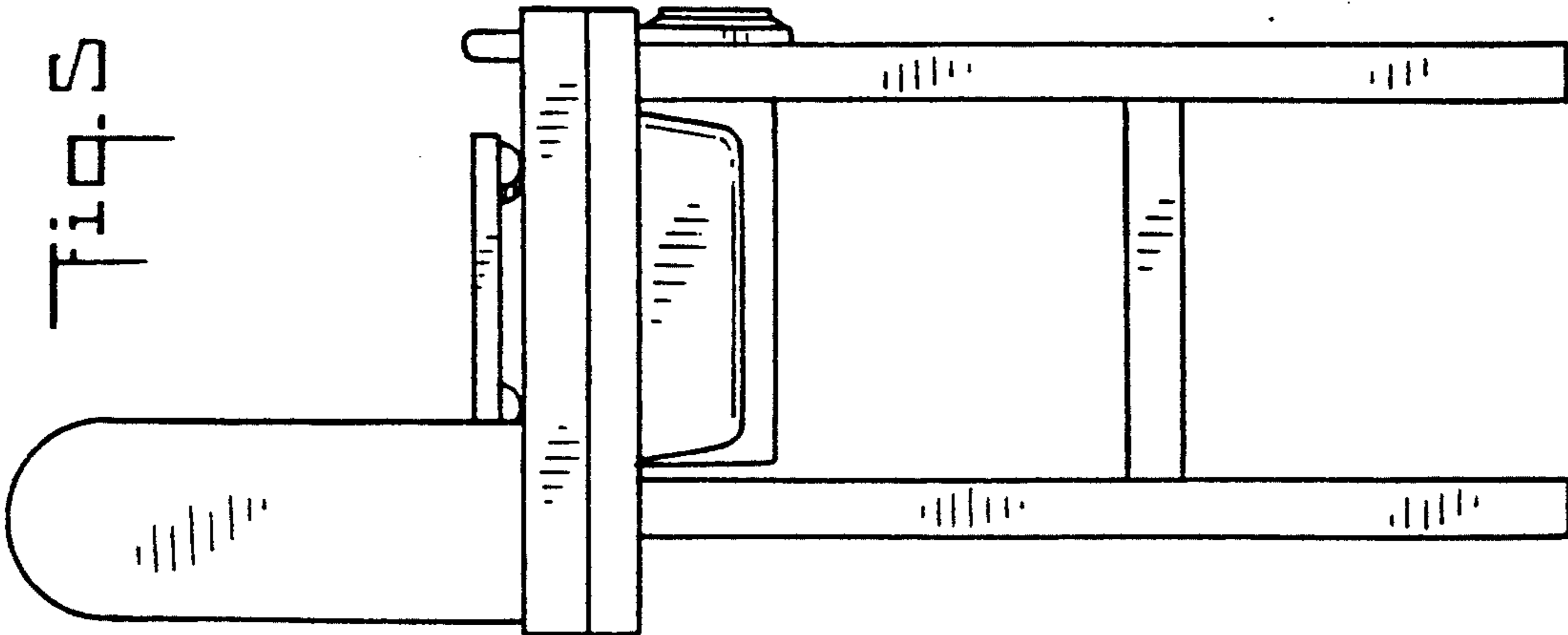


Fig. 5