



US00D348570S

United States Patent [19]

[11] Patent Number: **Des. 348,570**

Scheper et al.

[45] Date of Patent: **** Jul. 12, 1994**

[54] CHAIR

- [75] Inventors: **Robert M. Scheper; Bruce M. Smith,**
both of Grand Rapids, Mich.
- [73] Assignee: **Steelcase Inc.,** Grand Rapids, Mich.
- [**] Term: **14 Years**
- [21] Appl. No.: **711,439**
- [22] Filed: **Jun. 6, 1991**
- [52] U.S. Cl. **D6/366**
- [58] Field of Search **D6/334, 364, 365, 366,**
D6/374, 375, 379, 500, 501, 502; 297/411.44,
452.15, 452.17

[56]

References Cited

U.S. PATENT DOCUMENTS

- D. 180,558 7/1957 Jiranek .
- D. 206,998 2/1967 Benjamin .
- D. 222,452 10/1971 Bertran .
- D. 227,831 7/1973 Andrus et al. .
- D. 240,374 7/1976 Buhk .
- D. 240,375 7/1976 Buhk .
- D. 240,780 8/1976 Dittert .
- D. 241,288 9/1976 Tacke .
- D. 244,188 7/1972 Leaver .
- D. 244,892 7/1977 Koepke .
- D. 248,259 6/1978 Lande .
- D. 249,302 9/1978 Ruf .
- D. 250,374 11/1978 Prizlow et al. .
- D. 251,277 3/1979 Kelley .
- D. 253,205 10/1979 Buhk .
- D. 253,206 10/1979 Buhk .
- D. 254,640 4/1980 Deck et al. .
- D. 255,183 6/1980 Locher .
- D. 255,293 6/1980 Locher .
- D. 255,843 1/1973 Buhk .
- D. 259,155 5/1981 Buhk .
- D. 259,750 7/1981 Buhk .
- D. 260,056 8/1981 Sapper .
- D. 260,205 8/1981 Buhk .
- D. 267,371 12/1982 Lopez-Benitez .

(List continued on next page.)

FOREIGN PATENT DOCUMENTS

- 1277712 6/1972 United Kingdom .

OTHER PUBLICATIONS

- Domus, Dec. 1987, chair shown at bottom left.
- Iren brochure for "Collezione Class" Interiors magazine excerpt, Feb., 1985, p. 131.
- Krueger International product brochure, CN-07180/SL690, The Piretti Collection.
- Krueger International product brochure, CN-07170/SL689, The Piretti Collection.
- "Design" magazine excerpt, Jan. 1987, p. 41.
- "Schoner Klohlen" excerpt, Feb. 1985, p. 145.
- Martinstoll brochure for "Collection/C" Herman Miller Brochure for Aluminum Group Copyright-1974.
- Supplement to "Abitare" magazine, Mar. 1979, p. 3.
- "Design" magazine excerpt, Sep. 1976, p. 35
- Krueger International brochure (Piretti chairs).

Primary Examiner—Alan P. Douglas
Assistant Examiner—Gary D. Watson
Attorney, Agent, or Firm—Price, Heneveld, Cooper,
 DeWitt & Litton

[57]

CLAIM

The ornamental design for a chair, as shown and described.

DESCRIPTION

FIG. 1 is a front perspective view of a chair, showing our new design;
 FIG. 2 is a rear perspective view;
 FIG. 3 is a right-hand side elevational view;
 FIG. 4 is a front elevational view;
 FIG. 5 is a rear elevational view;
 FIG. 6 is a top plan view; and,
 FIG. 7 is a bottom plan view thereof;
 FIG. 8 is a front perspective view of a second embodiment of a chair, showing our new design;
 FIG. 9 is a rear perspective view;
 FIG. 10 is a right-hand side elevational view;
 FIG. 11 is a front elevational view;
 FIG. 12 is a rear elevational view;
 FIG. 13 is a top plan view; and,
 FIG. 14 is a bottom plan view thereof.



U.S. PATENT DOCUMENTS

D. 267,838	2/1983	Buhk et al. .	
D. 267,989	2/1983	Buhk et al. .	
D. 267,990	2/1983	Buhk et al. .	
D. 269,743	7/1983	Muller-Deisig .	
D. 270,313	8/1983	Murry .	
D. 272,204	1/1984	De Boer .	
D. 273,640	5/1984	Petitt .	
D. 277,525	2/1985	Buhk et al. .	
D. 278,582	4/1985	Kramer et al. .	
D. 278,869	5/1985	Bohl .	
D. 279,054	6/1985	Longley et al. .	
D. 279,947	8/1985	Ballarini .	
D. 285,629	9/1986	Franck et al. .	
D. 288,634	3/1987	Williams .	
D. 288,869	3/1987	Bitsch .	
D. 291,159	8/1987	Monesi	D6/366
D. 291,509	8/1987	Sapper .	
D. 292,655	11/1987	Hendrick .	
D. 293,517	1/1988	Bellini .	
D. 295,466	5/1988	Bellini .	
D. 295,467	5/1988	Bellini .	
D. 295,926	5/1988	Uredat .	
D. 297,687	9/1988	Uredat .	
D. 297,995	10/1988	Stulik .	
D. 298,188	10/1988	Hensel .	
D. 299,191	1/1989	Frinier .	
D. 299,987	2/1989	Jenkins	D6/366
D. 300,090	3/1989	Frinier .	
D. 300,091	3/1989	Frinier .	
D. 300,189	3/1989	Frinier .	
D. 300,585	4/1989	Uredat .	
D. 301,662	6/1989	Vonhausen .	
D. 302,769	8/1989	Jenkins	D6/366
D. 305,284	1/1990	Piretti .	
D. 305,285	1/1990	Piretti .	
D. 312,003	11/1990	Muller-Deisig et al.	D6/366
D. 318,184	7/1991	Muller-Deisig et al.	D6/366
D. 319,739	9/1991	Narita	D6/366
D. 320,704	10/1991	Monesi .	
D. 336,380	6/1993	Roseen et al.	D6/366
3,947,068	3/1976	Buhk .	
4,164,798	8/1979	Webber .	
4,703,974	11/1987	Brauning .	
4,744,603	5/1988	Knoblock .	
4,754,364	6/1988	Speet et al. .	
4,856,846	8/1989	Lohmeyer .	

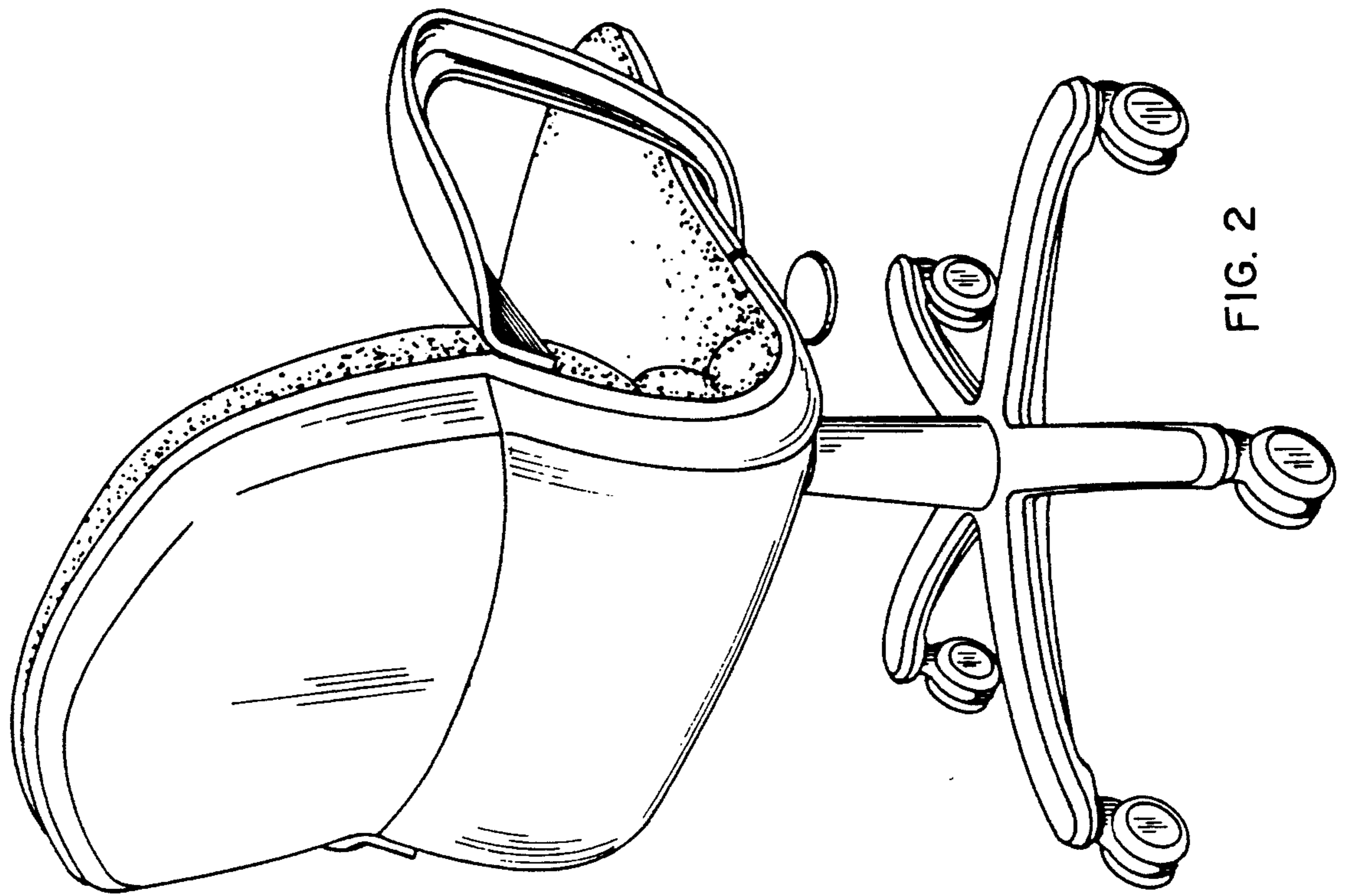


FIG. 2

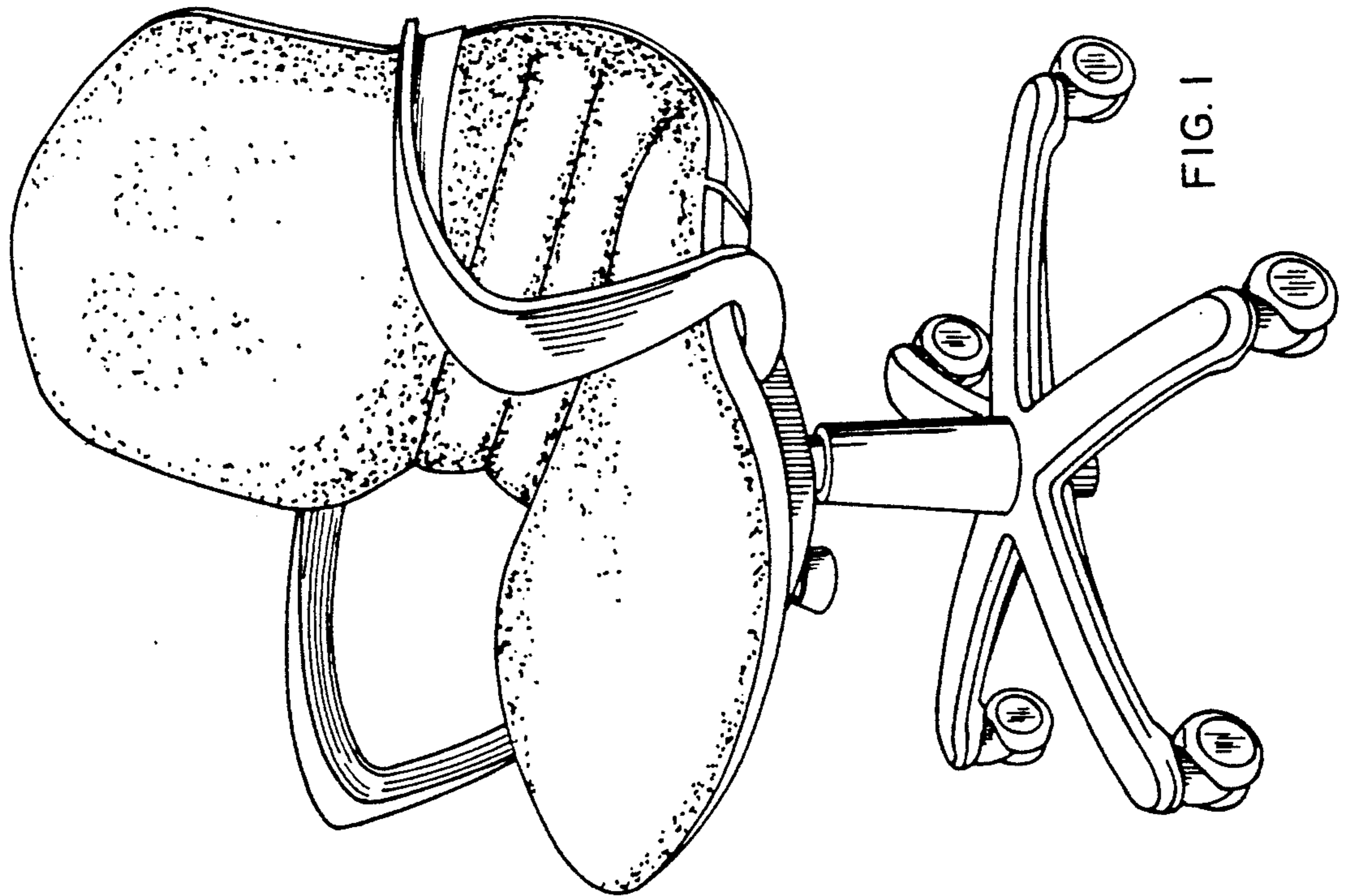


FIG. 1

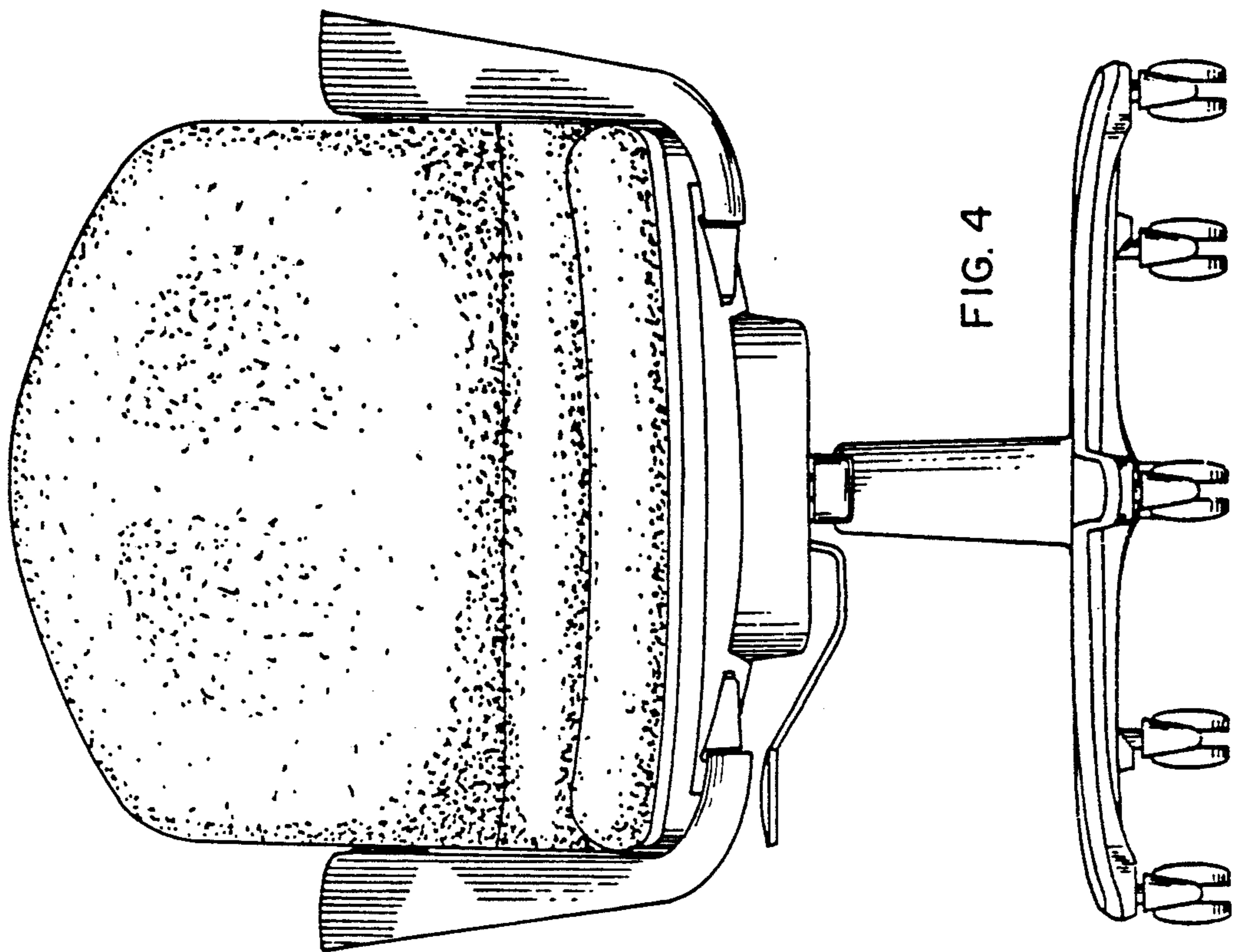


FIG. 4

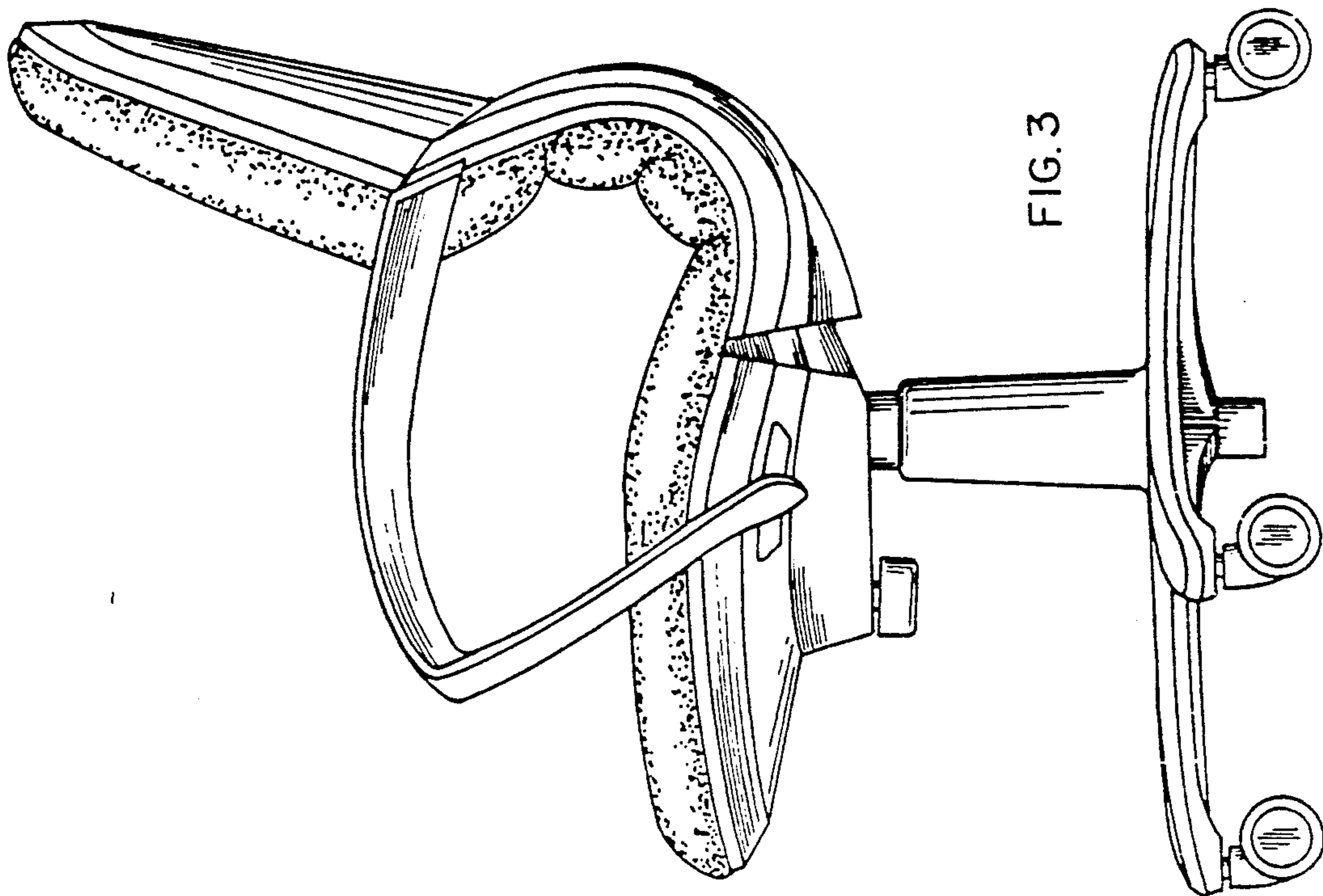


FIG. 3

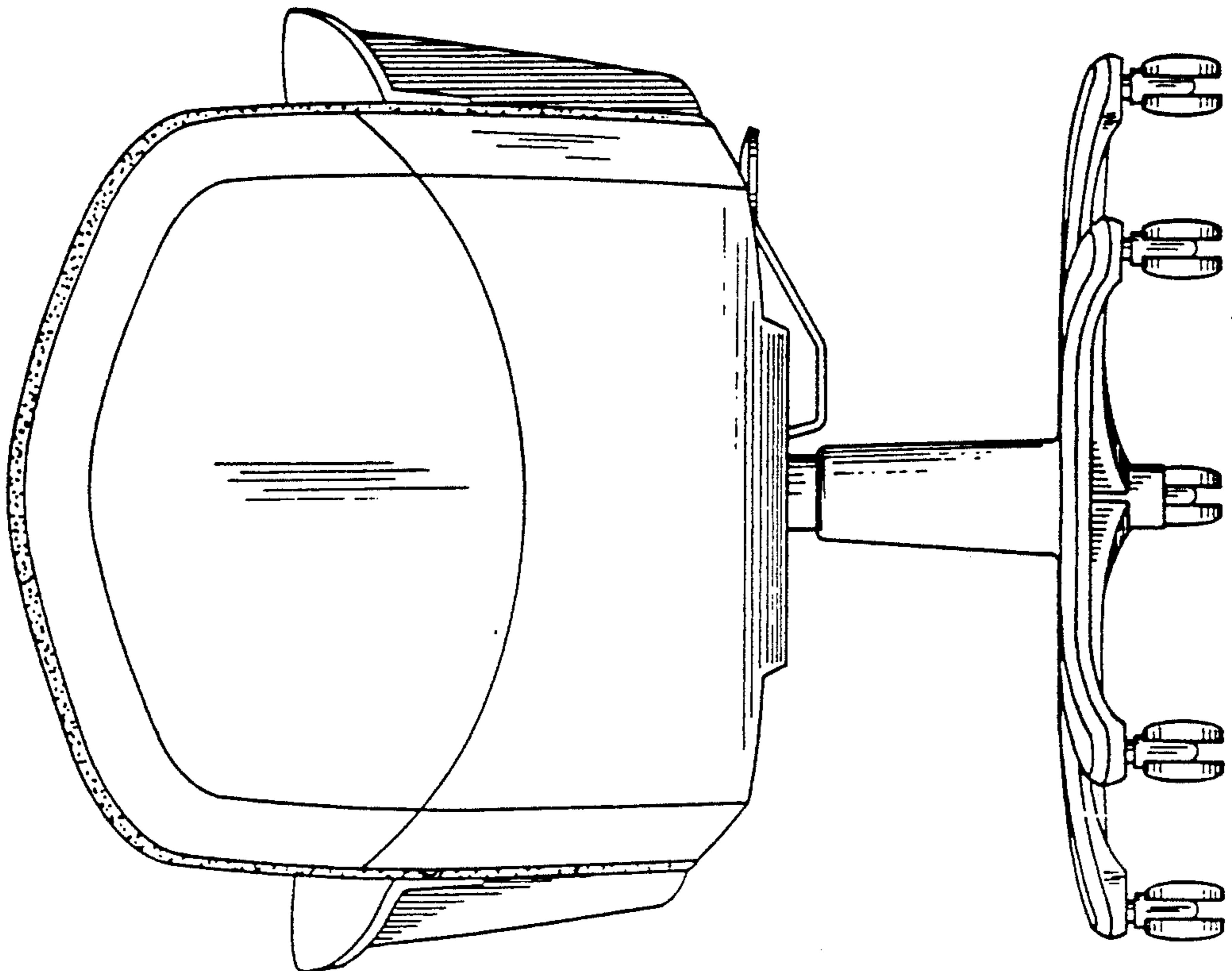


FIG. 5

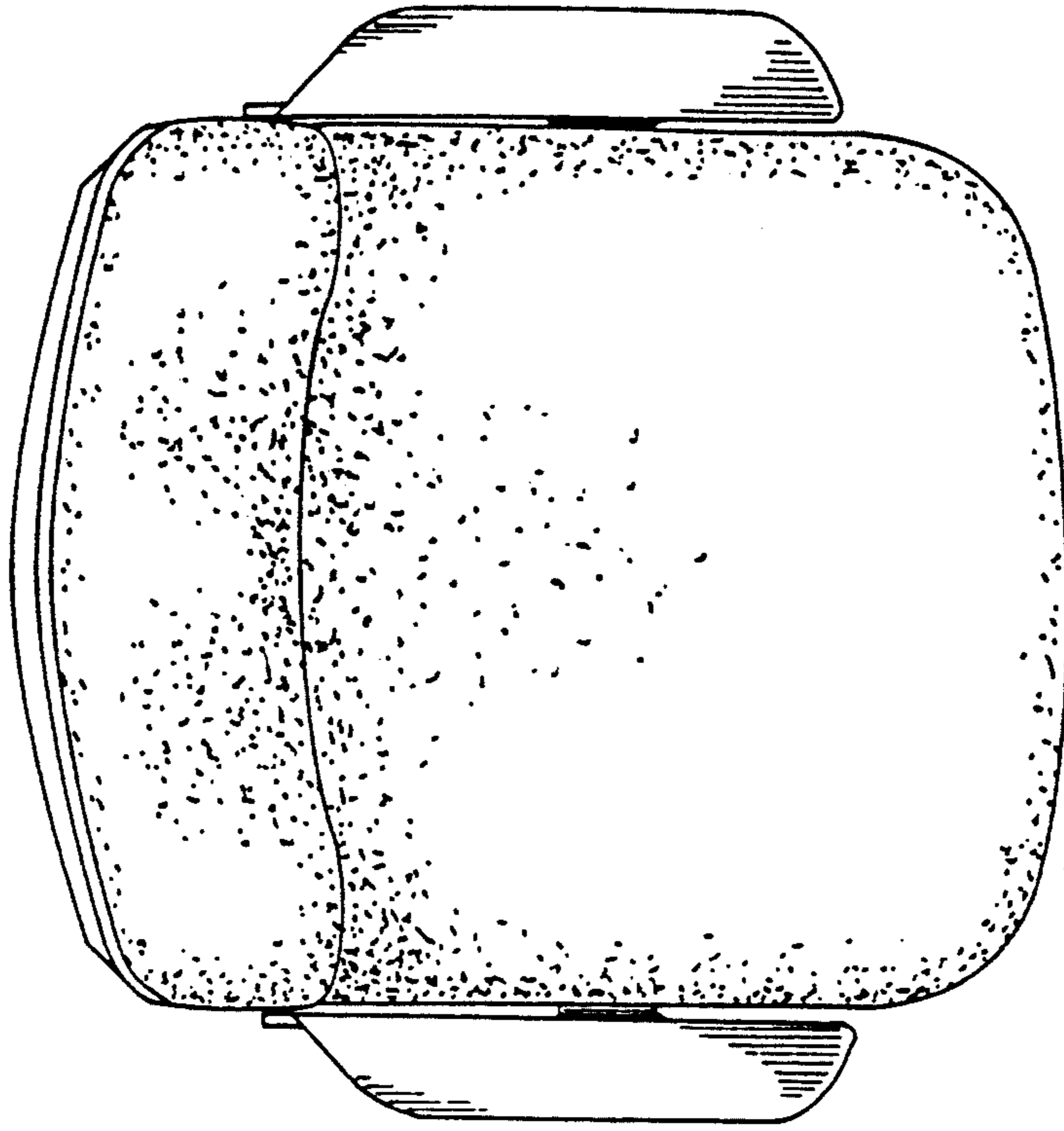


FIG. 6

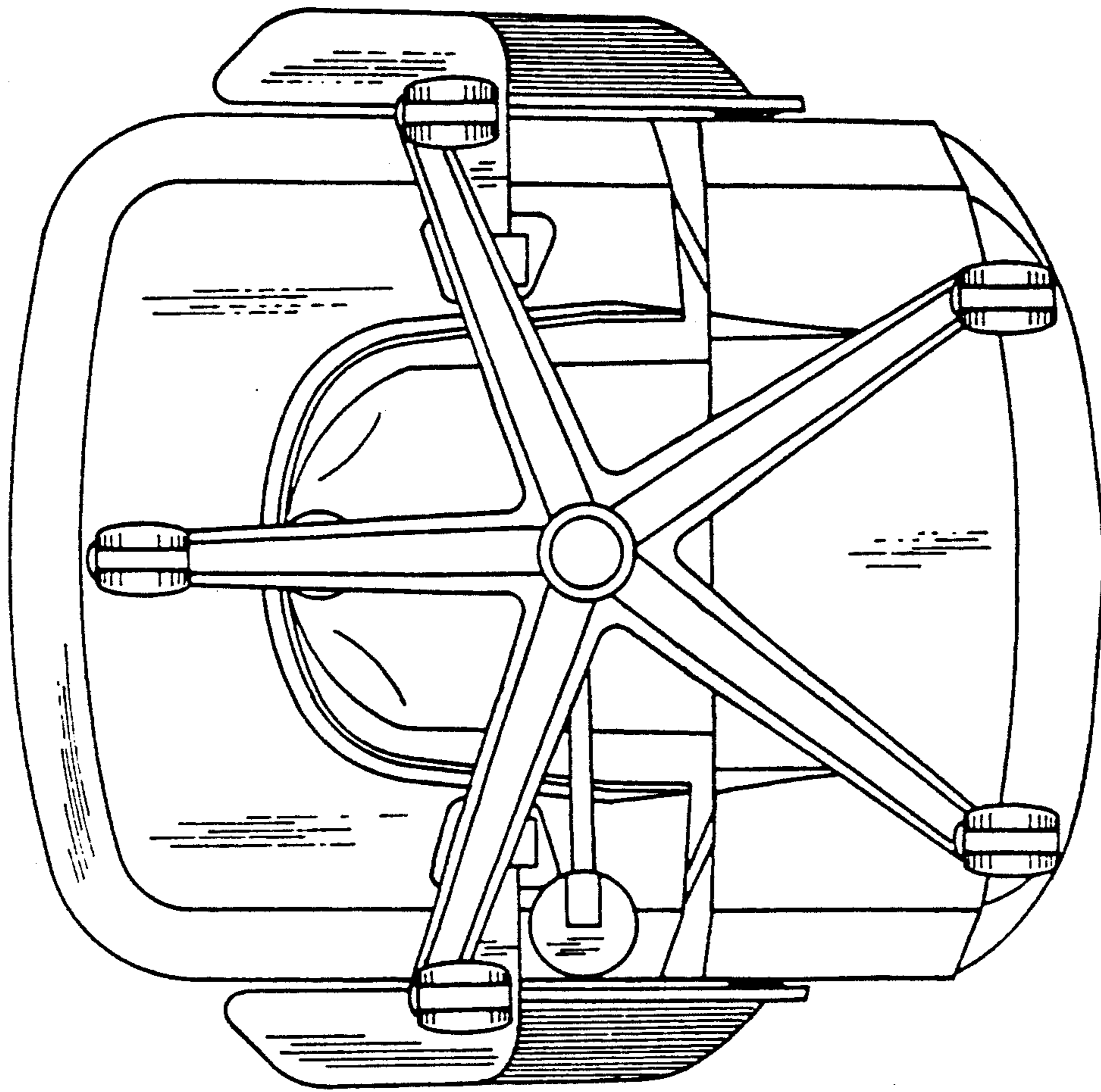


FIG. 7

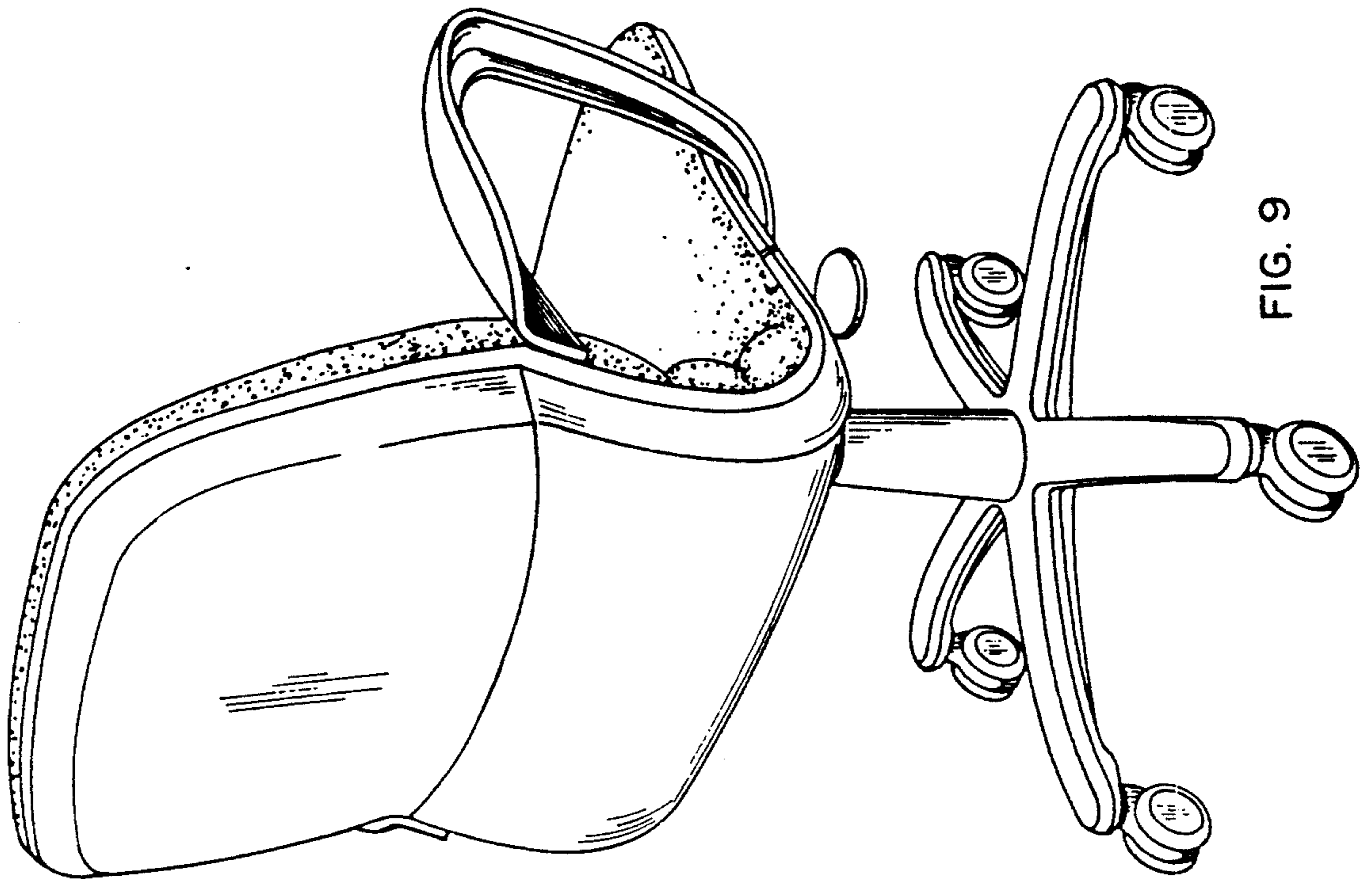


FIG. 9

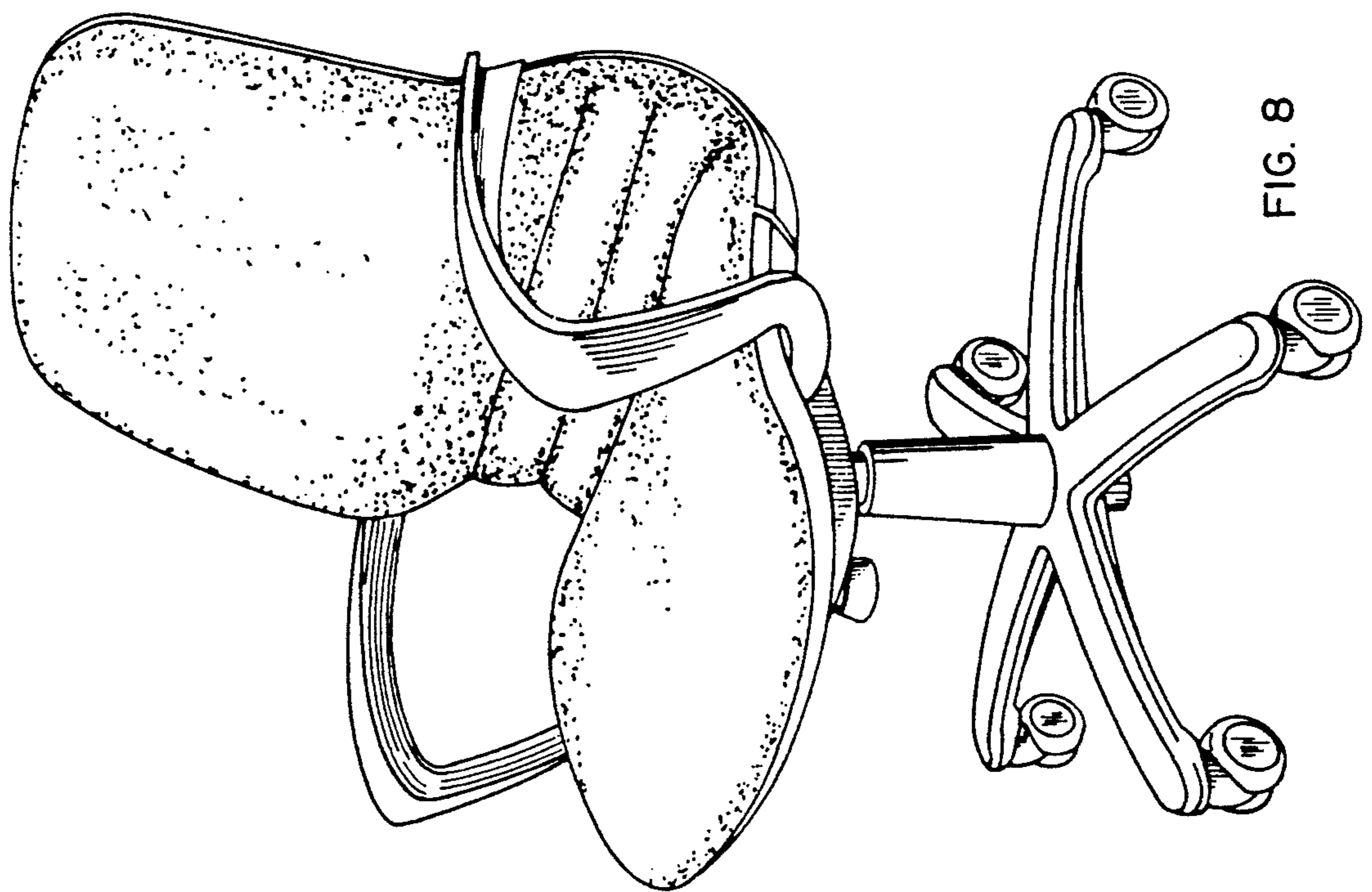


FIG. 8

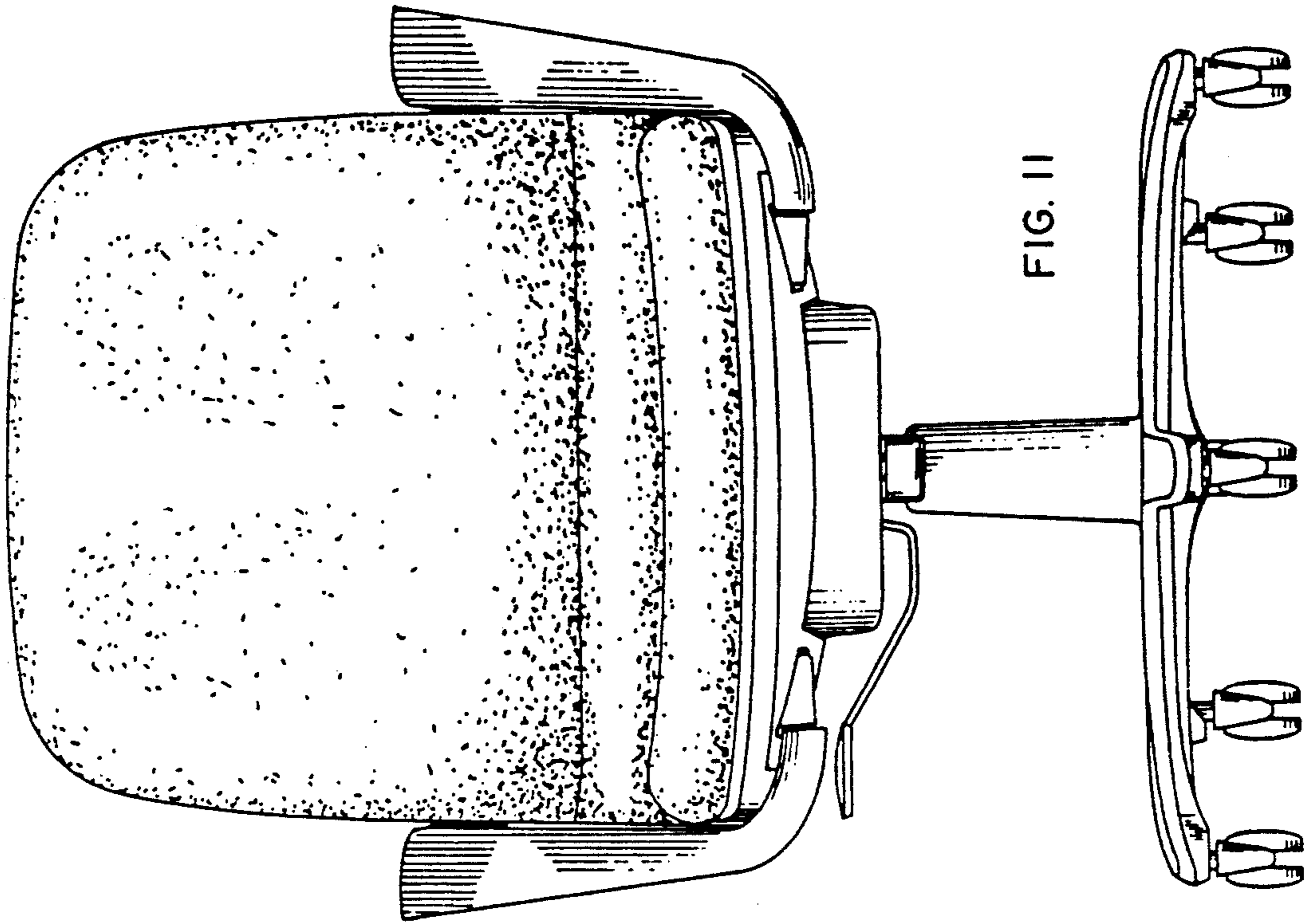


FIG. 11

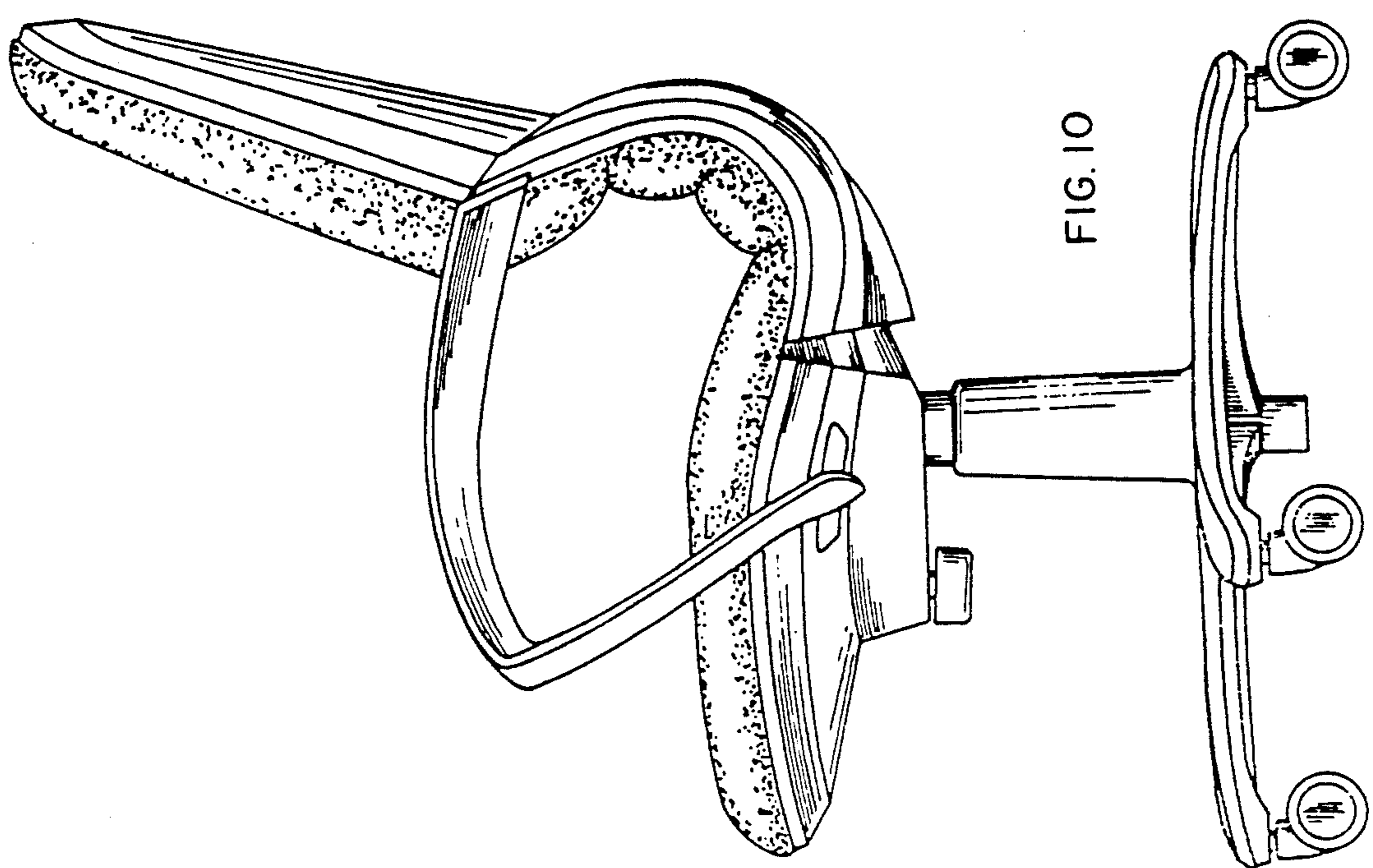


FIG. 10

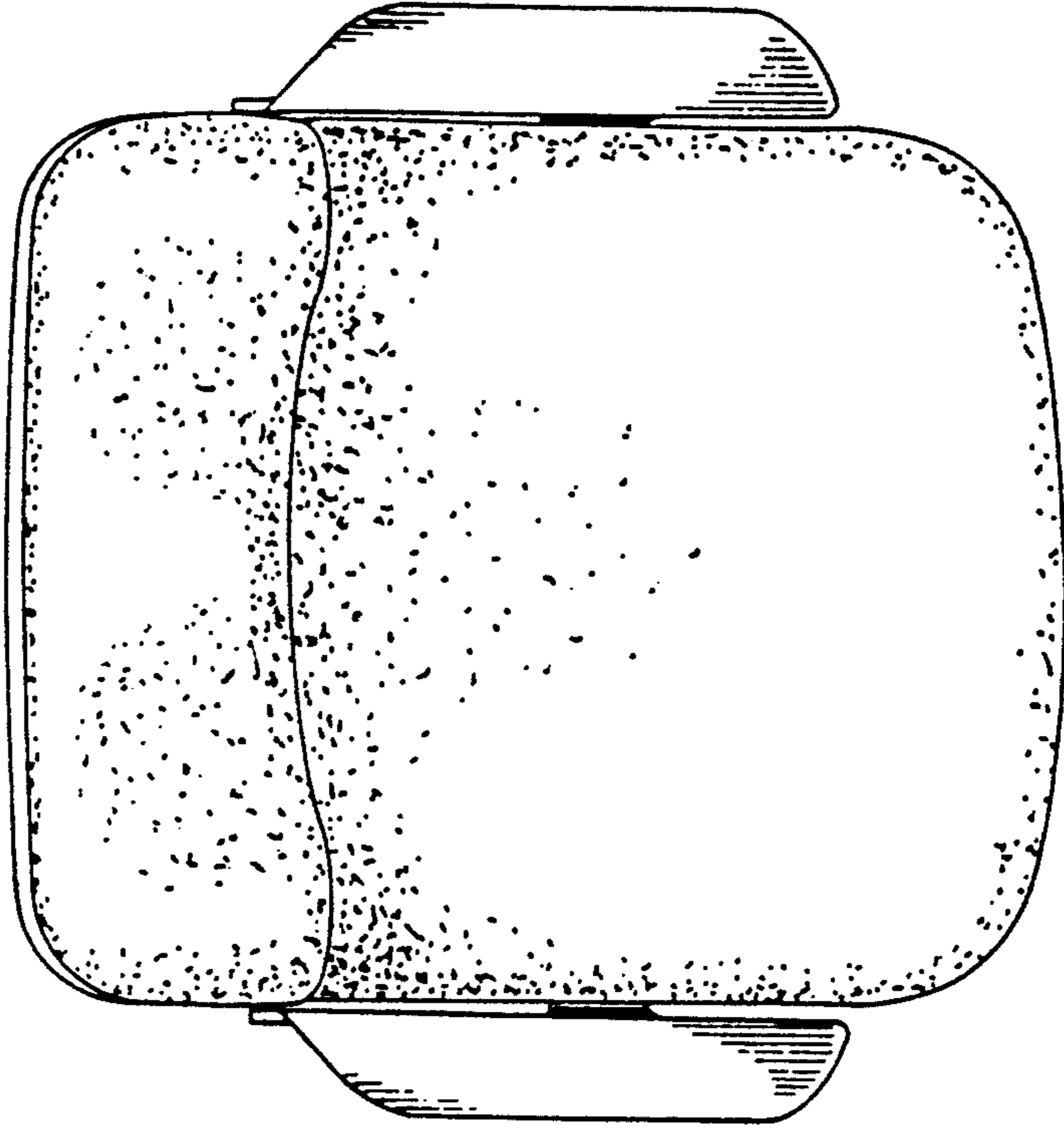


FIG. 13

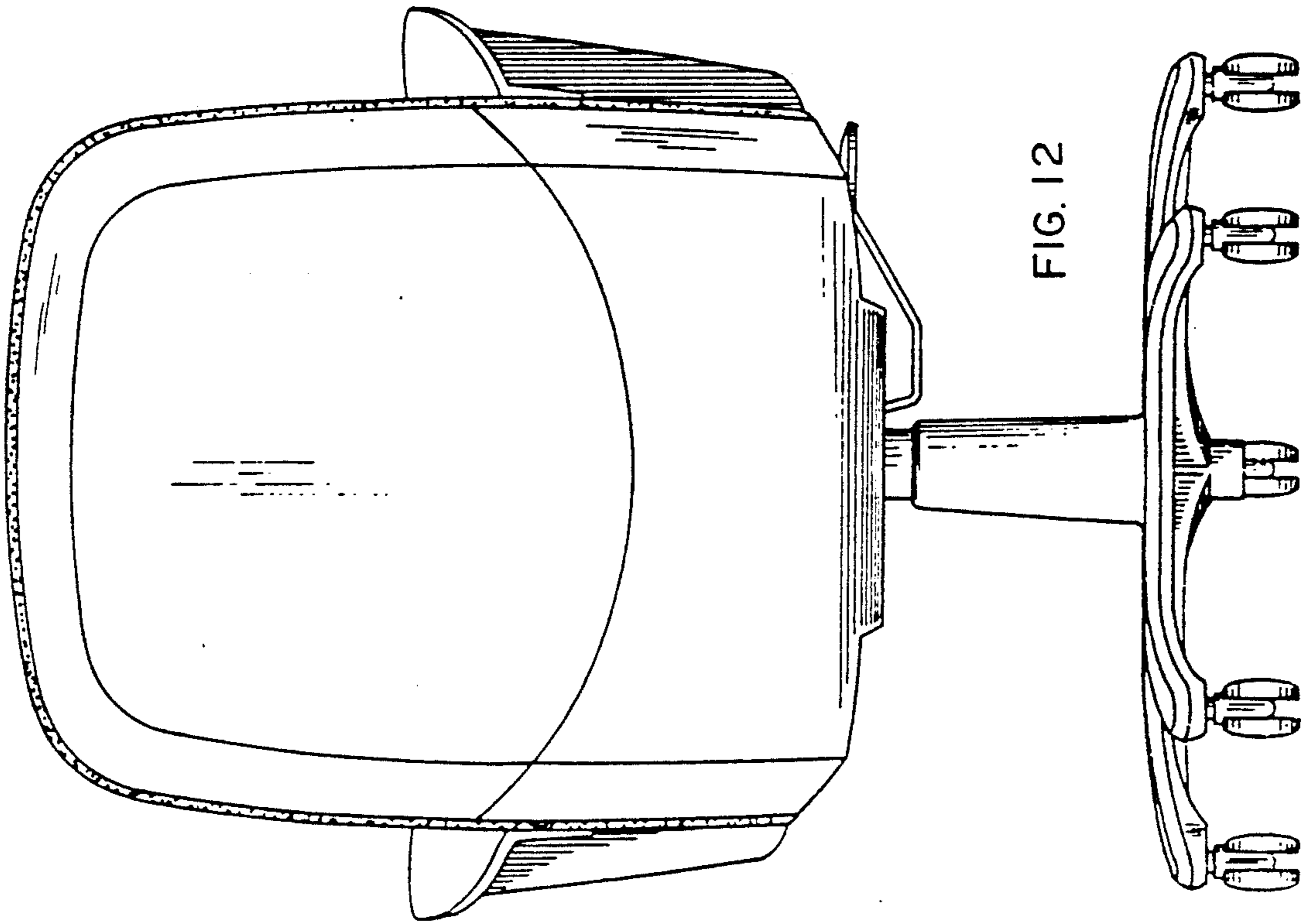


FIG. 12

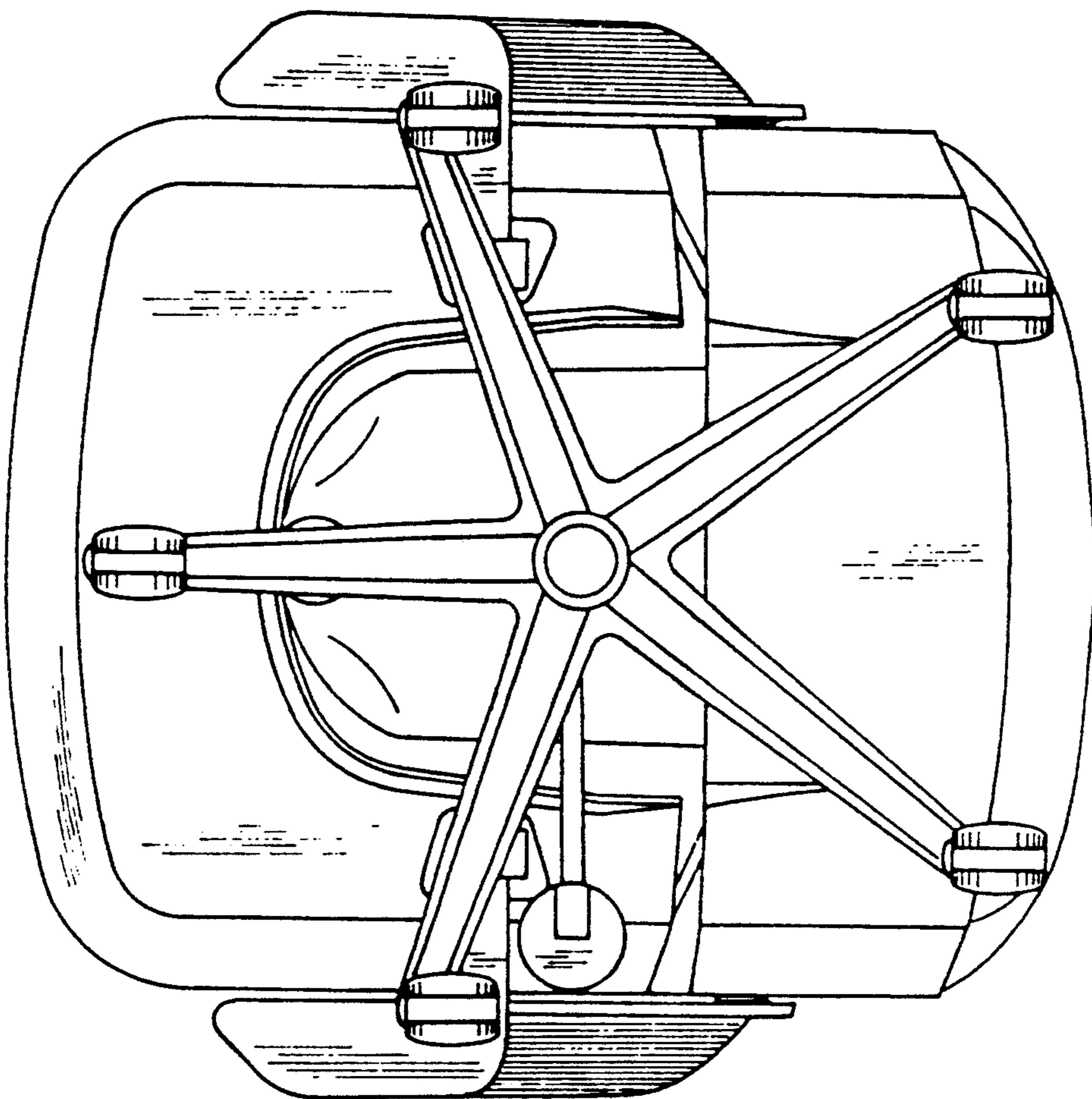


FIG. 14