



US00D348569S

United States Patent [19]

[11] Patent Number: **Des. 348,569**

Haussmann

[45] Date of Patent: **** Jul. 12, 1994**

[54] COMBINED TABLE AND SEAT UNIT

[75] Inventor: **Wilhelm Haussmann**, Beuren, Fed. Rep. of Germany

[73] Assignee: **Robert Krause GmbH & Co. KG**, Weilheim/Teck, Fed. Rep. of Germany

[**] Term: **14 Years**

[21] Appl. No.: **749,412**

[22] Filed: **Aug. 23, 1991**

[30] Foreign Application Priority Data

Feb. 23, 1991 [DE] Fed. Rep. of Germany 9101311

[52] U.S. Cl. **D6/338; D6/367**

[58] Field of Search **D6/329, 335-340, D6/342; 297/135, 136, 148, 153, 156-158, 170, 171, 174**

[56] References Cited

U.S. PATENT DOCUMENTS

D. 283,762	5/1986	Caruso	D6/335 X
D. 292,654	11/1987	Melvin	D6/335 X
D. 296,851	7/1988	Kelley	D6/429 X
1,858,103	5/1932	Menon	297/172 X
2,375,696	5/1945	Shick	297/174 X
2,606,380	8/1952	Buhr et al.	297/174
3,606,451	9/1971	Brownfield et al.	297/174
4,798,411	1/1989	Lin	297/170

FOREIGN PATENT DOCUMENTS

2314496 4/1974 Fed. Rep. of Germany 297/174
1358919 12/1987 United Kingdom 297/157

OTHER PUBLICATIONS

Interiors, Nov. 1983, p. 137, bottom right.

Primary Examiner—Nelson C. Holtje

Assistant Examiner—J. E. Seeger

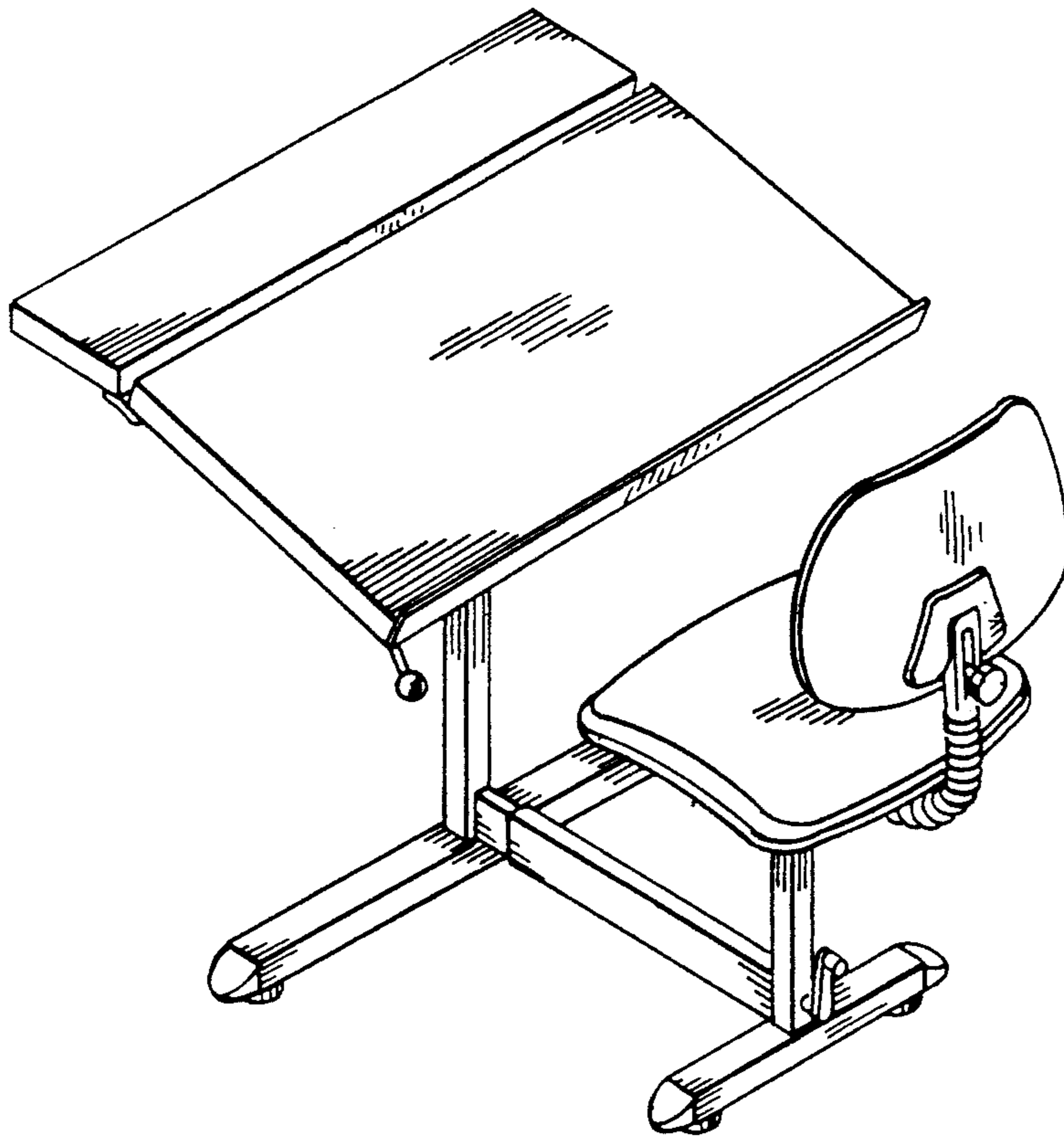
Attorney, Agent, or Firm—Albert H. Reuther

[57] CLAIM

The ornamental design for a combined table and seat unit, as shown and described.

DESCRIPTION

FIG. 1 is a perspective view of a combined table and seat unit showing my new design;
 FIG. 2 is a side elevational view thereof;
 FIG. 3 is a rear elevational view thereof;
 FIG. 4 is a front elevational view thereof;
 FIG. 5 is a top plan view thereof;
 FIG. 6 is a side elevational view similar to that of FIG. 2 and showing lowered elevational adjustment positioning thereof;
 FIG. 7 is a side elevational view that shows an intermediate elevational table adjustment positioning of FIG. 6; and,
 FIG. 8 is a side elevational view that shows a raised elevational table adjustment positioning of FIG. 6.



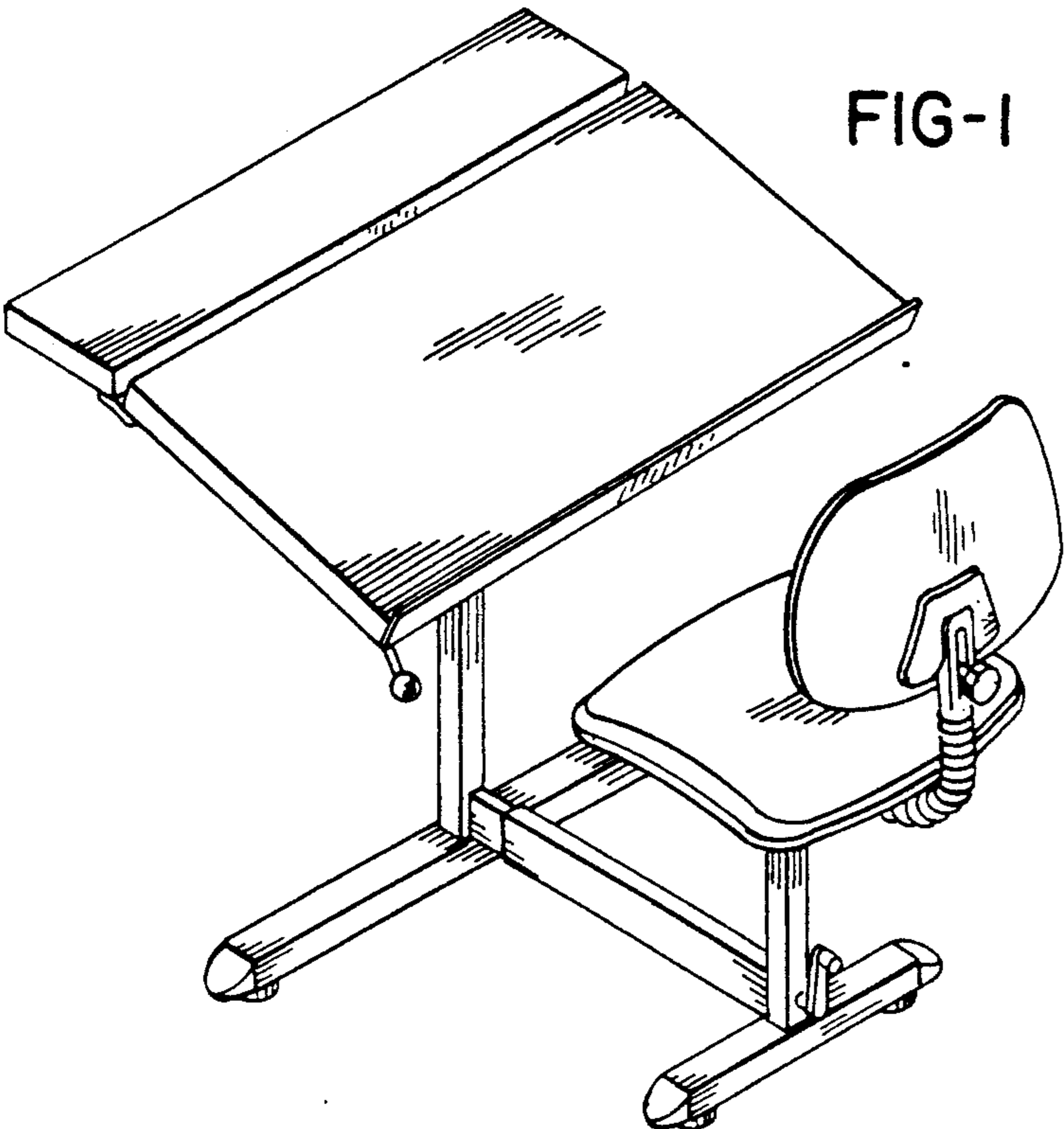


FIG-2

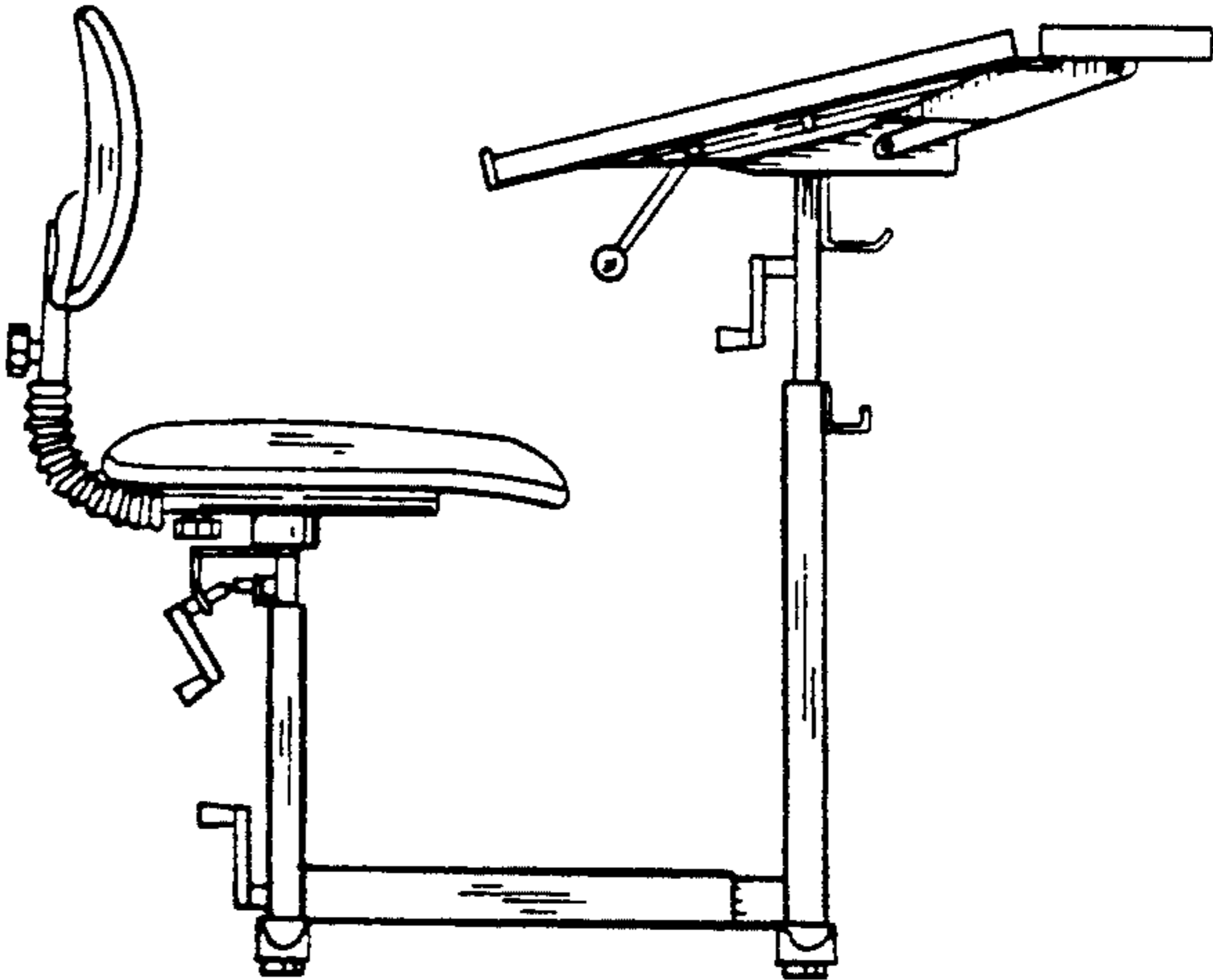


FIG-3

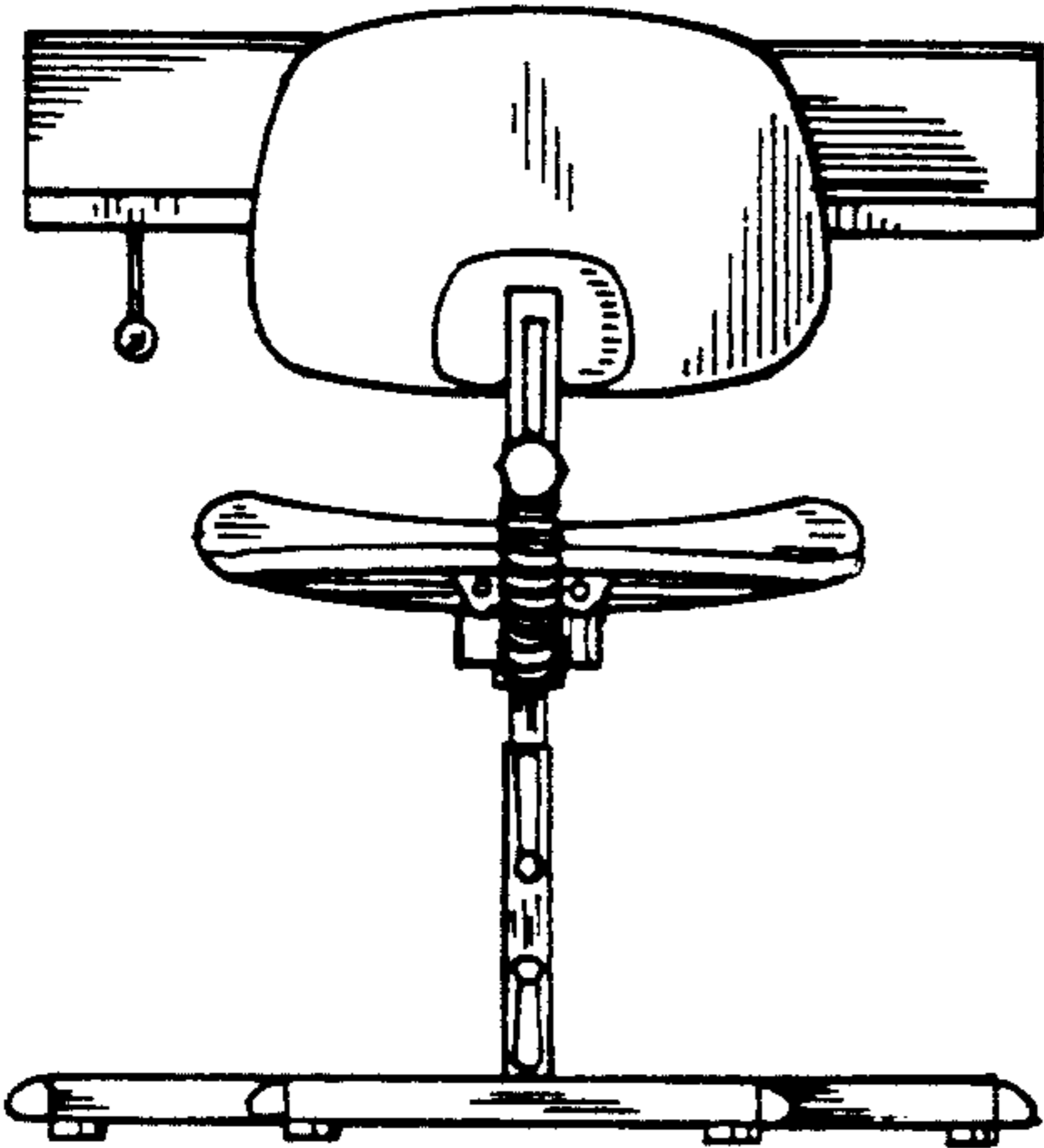


FIG-4

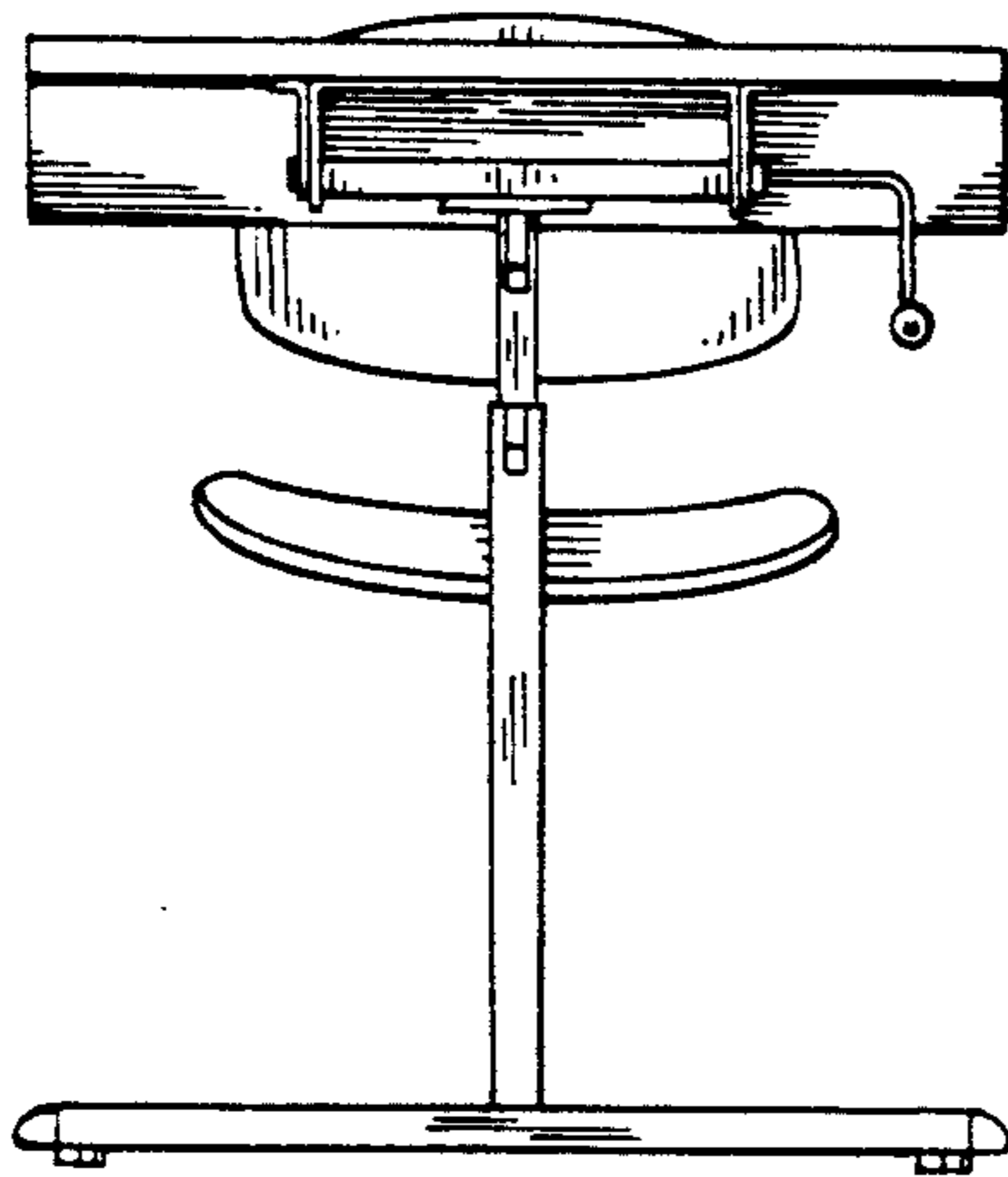


FIG-5

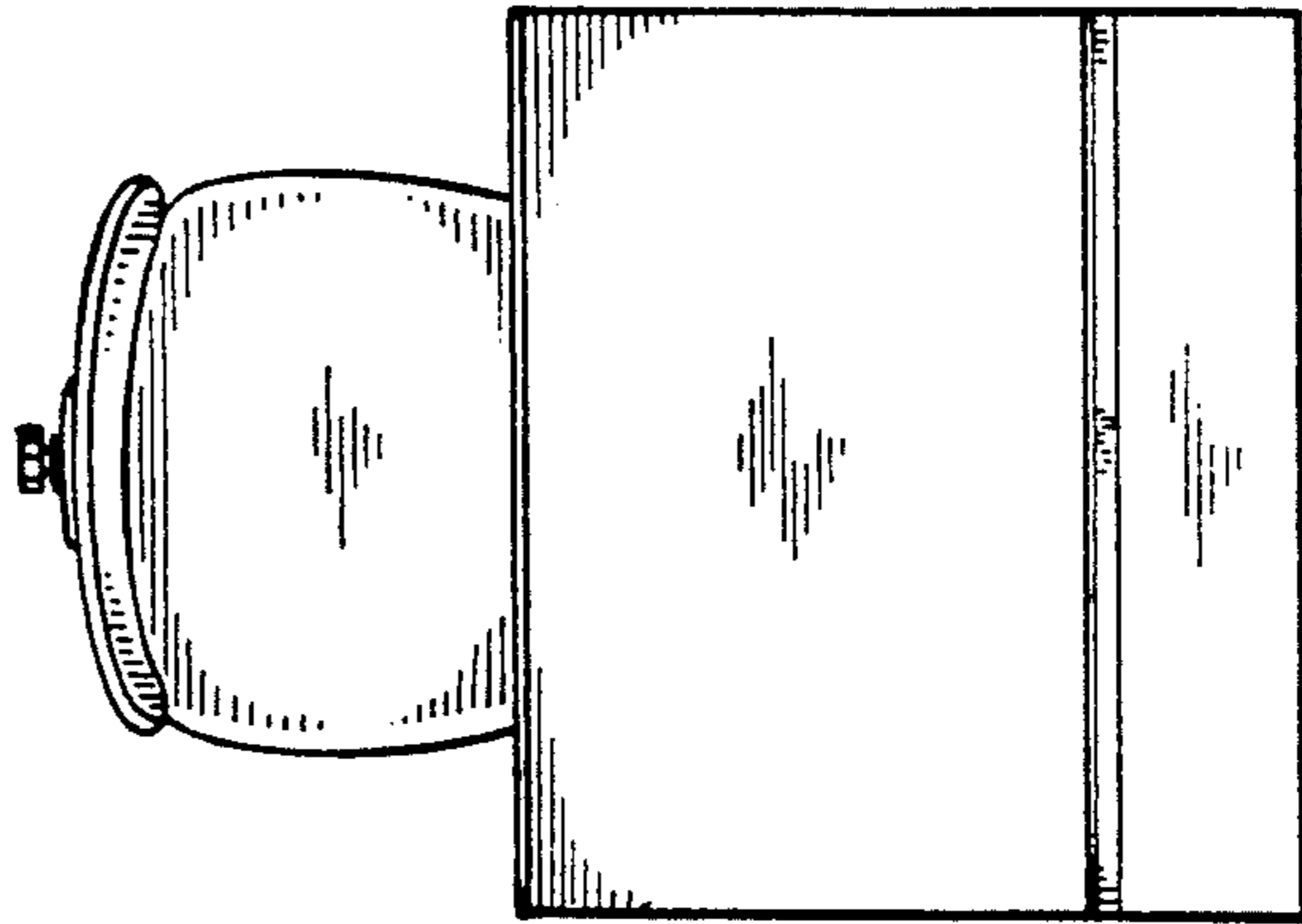


FIG-6

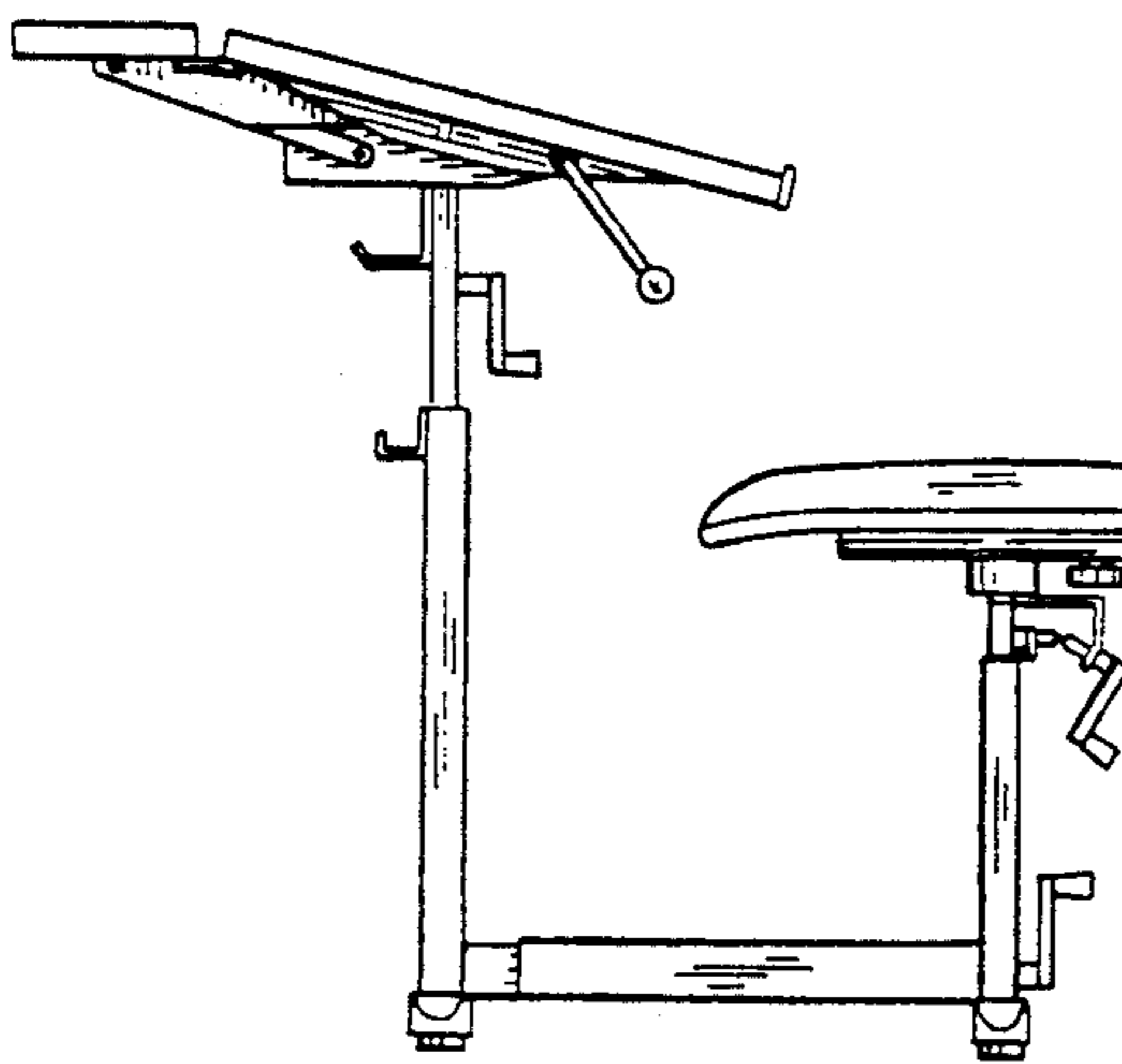


FIG-8

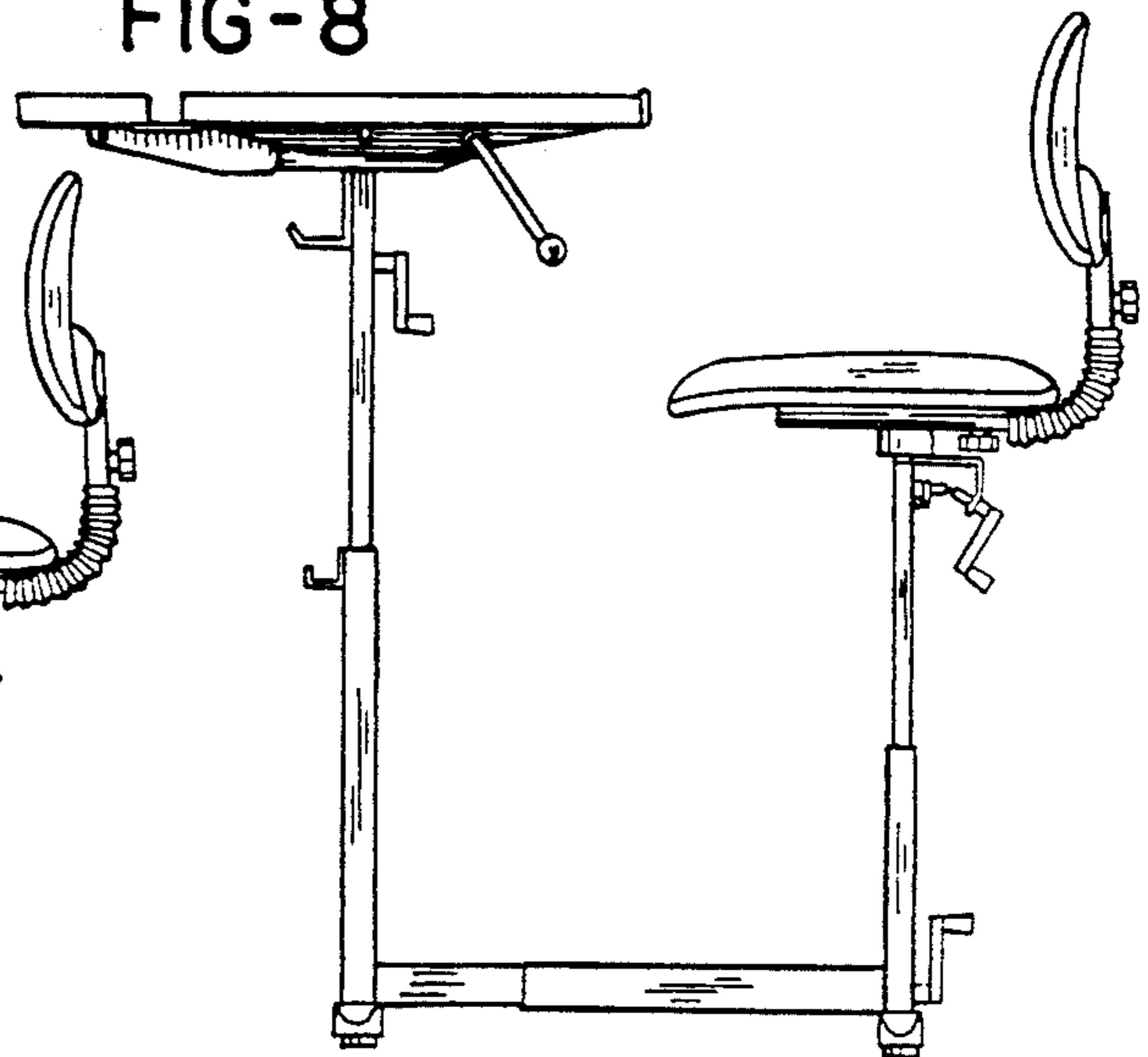


FIG-7

