



US00D348566S

United States Patent [19]

[11] Patent Number: Des. 348,566

Neikirk

[45] Date of Patent: ** Jul. 12, 1994

[54] LIGHT BULB TRAVEL CARRIER

[76] Inventor: **Waldo W. Neikirk**, 581 Chalette Dr., Beverly Hills, Calif. 90213

[**] Term: **14 Years**

[21] Appl. No.: **6,493**

[22] Filed: **Mar. 30, 1993**

[52] U.S. Cl. **D3/201**

[58] Field of Search D3/201, 202, 215, 220, D3/229, 274, 276, 291, 315; D8/71; 206/37, 44; 224/202; D9/417

[56] References Cited

U.S. PATENT DOCUMENTS

D. 243,975	4/1977	Perrson	D9/504
D. 262,497	1/1982	Chan	D3/229
D. 284,421	1/1986	Siris	D3/229
D. 306,545	3/1990	Rosdick	D3/202
D. 331,629	12/1992	Stewart	D3/202
1,226,733	5/1917	Whitney	.
1,689,588	10/1928	Hoy	.
1,779,634	10/1930	Neuner	.
2,094,387	9/1937	Vosburgh, Jr.	206/44
2,191,506	2/1940	Snyder	206/1
2,897,252	7/1959	Martin	174/35
3,454,659	12/1970	Libby	224/202
3,567,085	3/1971	Flores	224/202
3,750,869	8/1973	Kartiganer	D3/274
3,820,695	6/1974	Pecjak	D3/202
4,420,076	12/1983	Beveridge et al.	206/37
4,852,762	8/1989	Chou-Sheng	D3/202
5,127,526	7/1992	Vigue	206/587

FOREIGN PATENT DOCUMENTS

204522	3/1907	Fed. Rep. of Germany	.
507034	8/1930	Fed. Rep. of Germany	.
180589	6/1922	United Kingdom	.

Primary Examiner—A. Hugo Word
Assistant Examiner—Celia A. Murphy
Attorney, Agent, or Firm—Macro-Search Corporation

[57] CLAIM

The ornamental design for light bulb travel carrier, as shown and described.

DESCRIPTION

FIG. 1 is an exploded perspective view of a light bulb travel carrier showing my new design, the broken lines partially showing a pair of light bulbs being for illustrative purposes only and forming no part of the claimed design;

FIG. 2 is a side elevational view thereof, slightly rotated counter clockwise, the front and rear being substantially identical except for the anchor loop and hand strap;

FIG. 3 is an exploded side elevational view thereof shown rotated slightly;

FIG. 4 is a top plan view thereof;

FIG. 5 is a bottom plan view thereof;

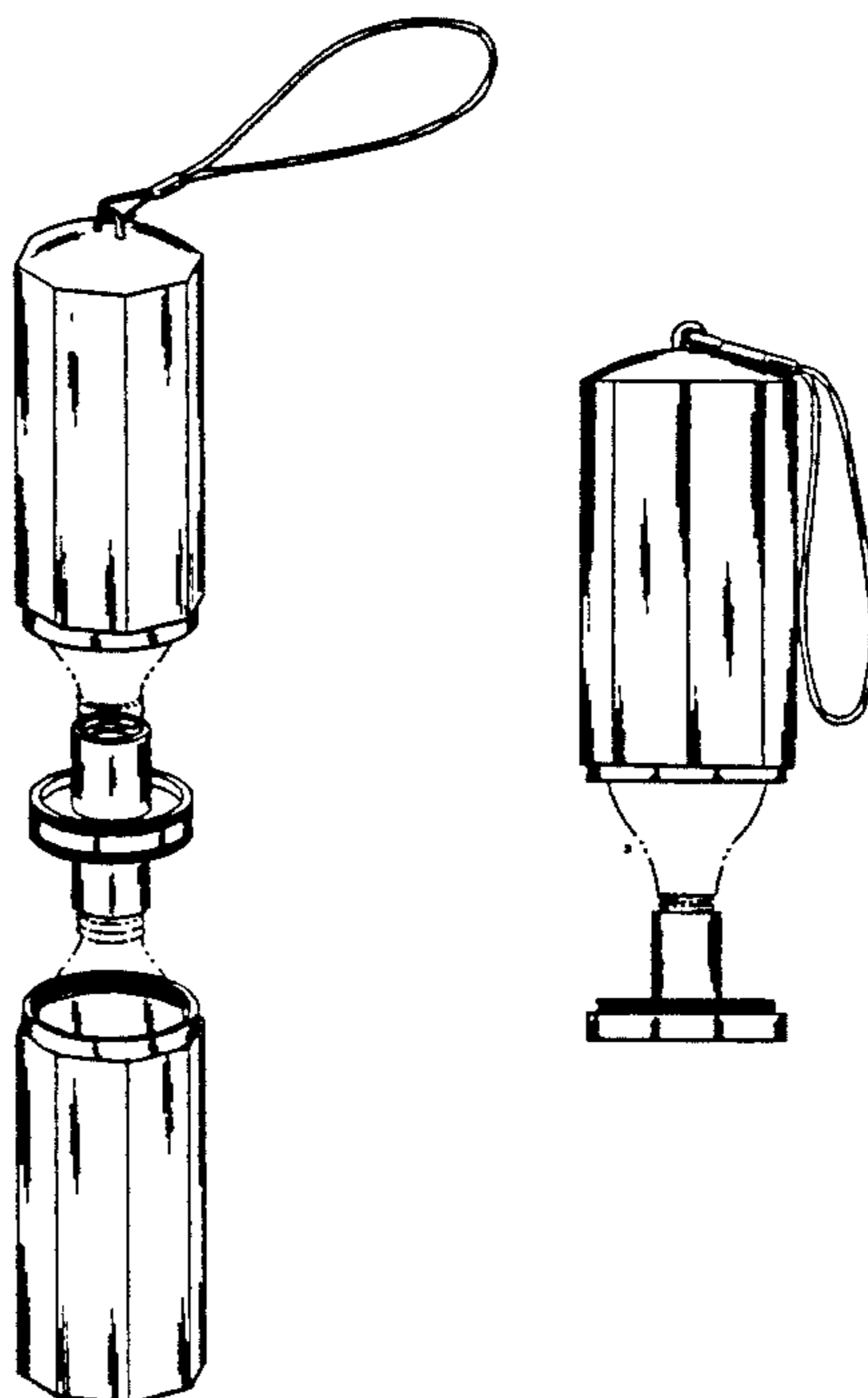
FIG. 6 is an exploded front elevational view of an alternate embodiment of the design shown in FIG. 1, the broken lines partially showing a light bulb being for illustrative purposes only and forming no part of the claimed design;

FIG. 7 is a bottom plan view of the cover component of the embodiment shown in FIG. 1, the bottom plan view of the second embodiment being identical;

FIG. 8 is a top plan view of the central component of the embodiment shown in FIG. 1, the bottom being identical in the first embodiment, and being planar and unadorned in the second embodiment;

FIG. 9 is a side elevational view of FIG. 6 shown in an assembled position; and,

FIG. 10 is a bottom plan view of FIG. 9.



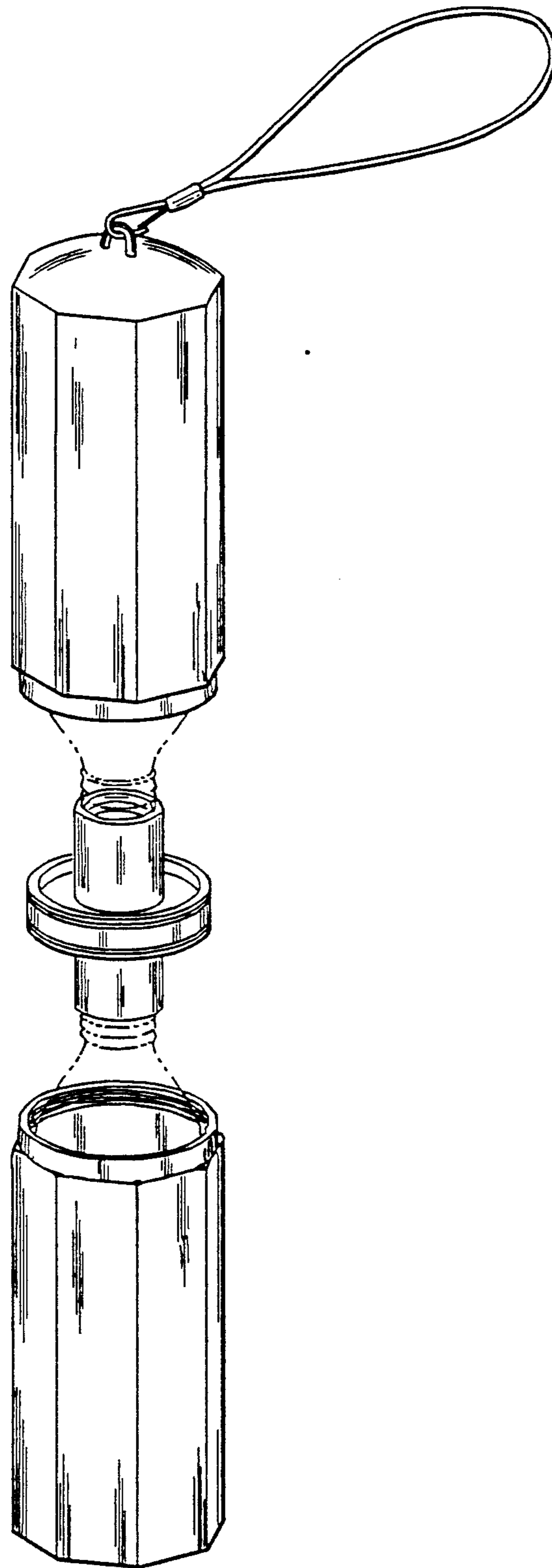


FIG 1

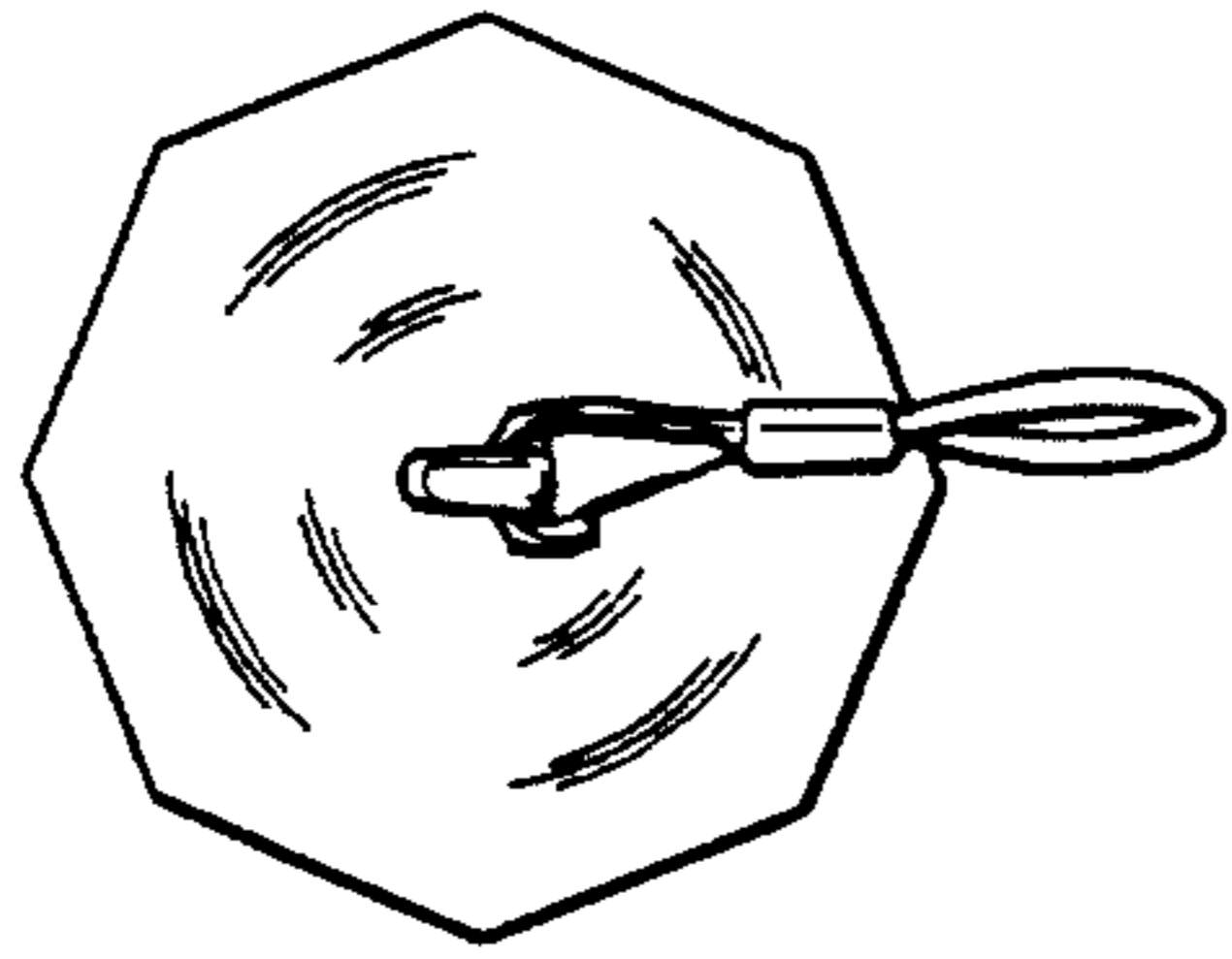


FIG 4

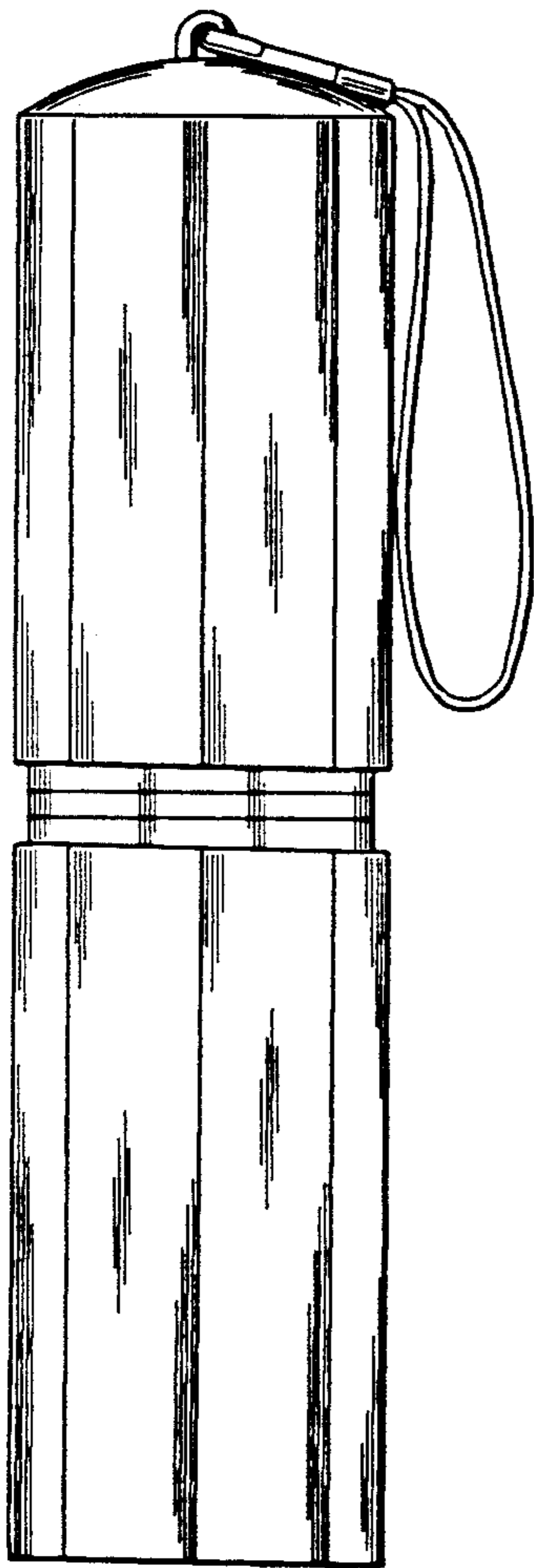


FIG 2

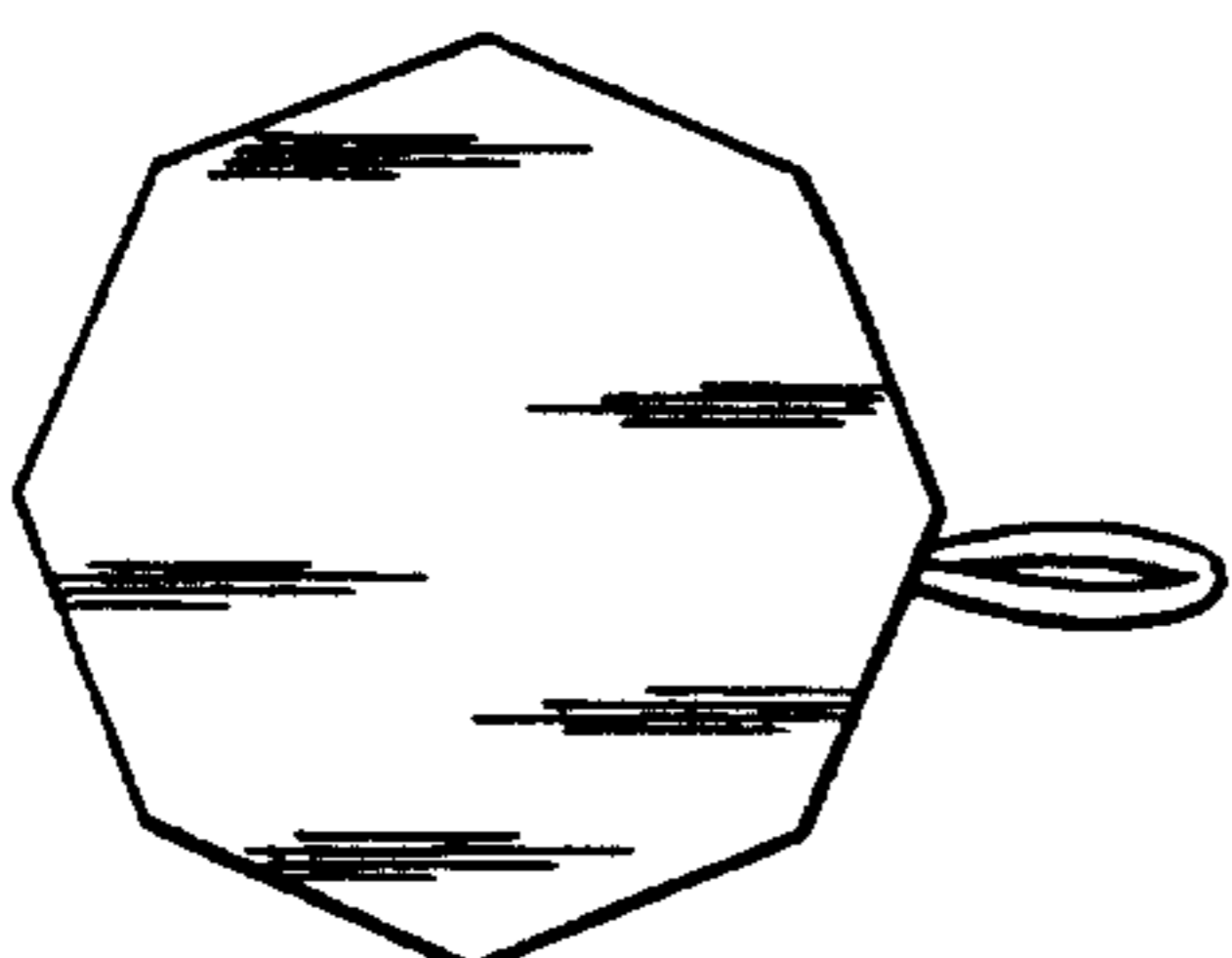
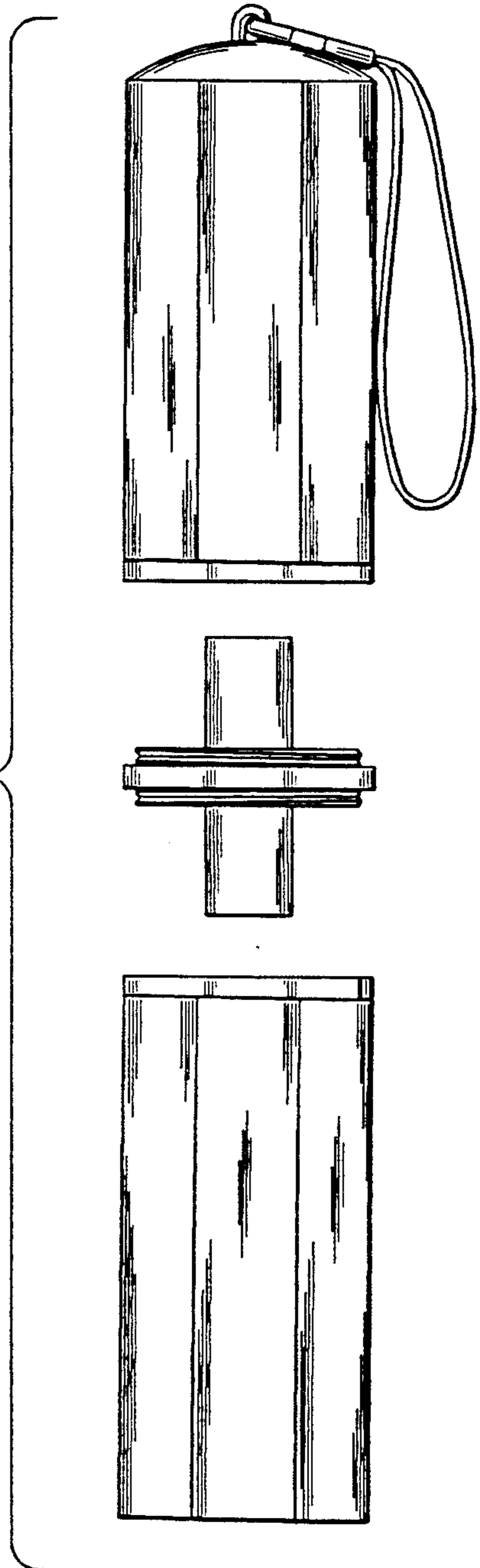


FIG 5

FIG 3



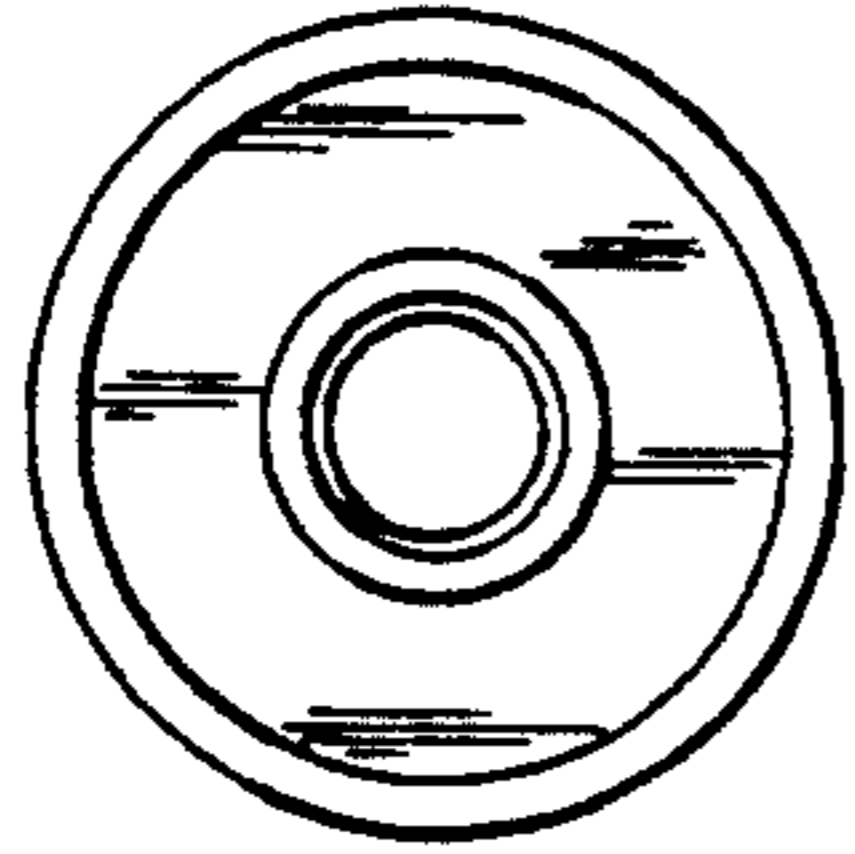


FIG 8

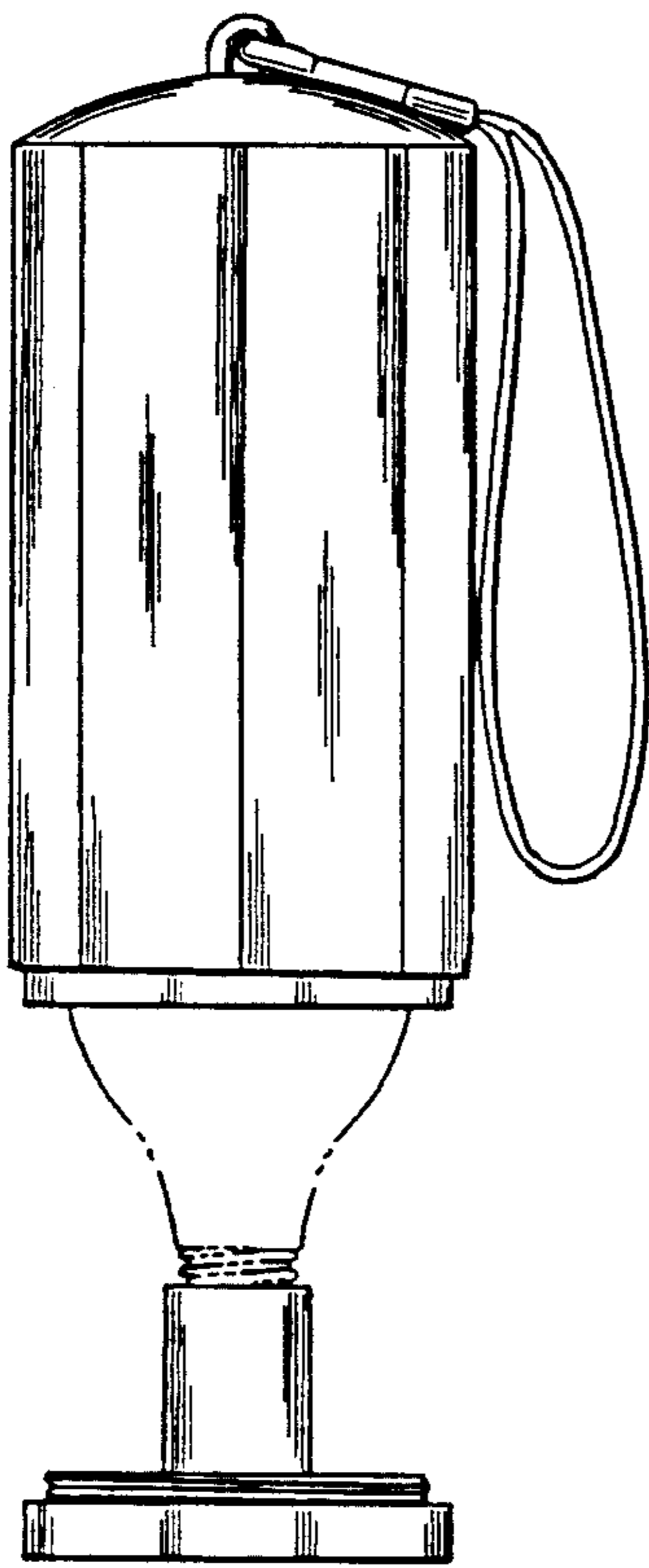


FIG 6

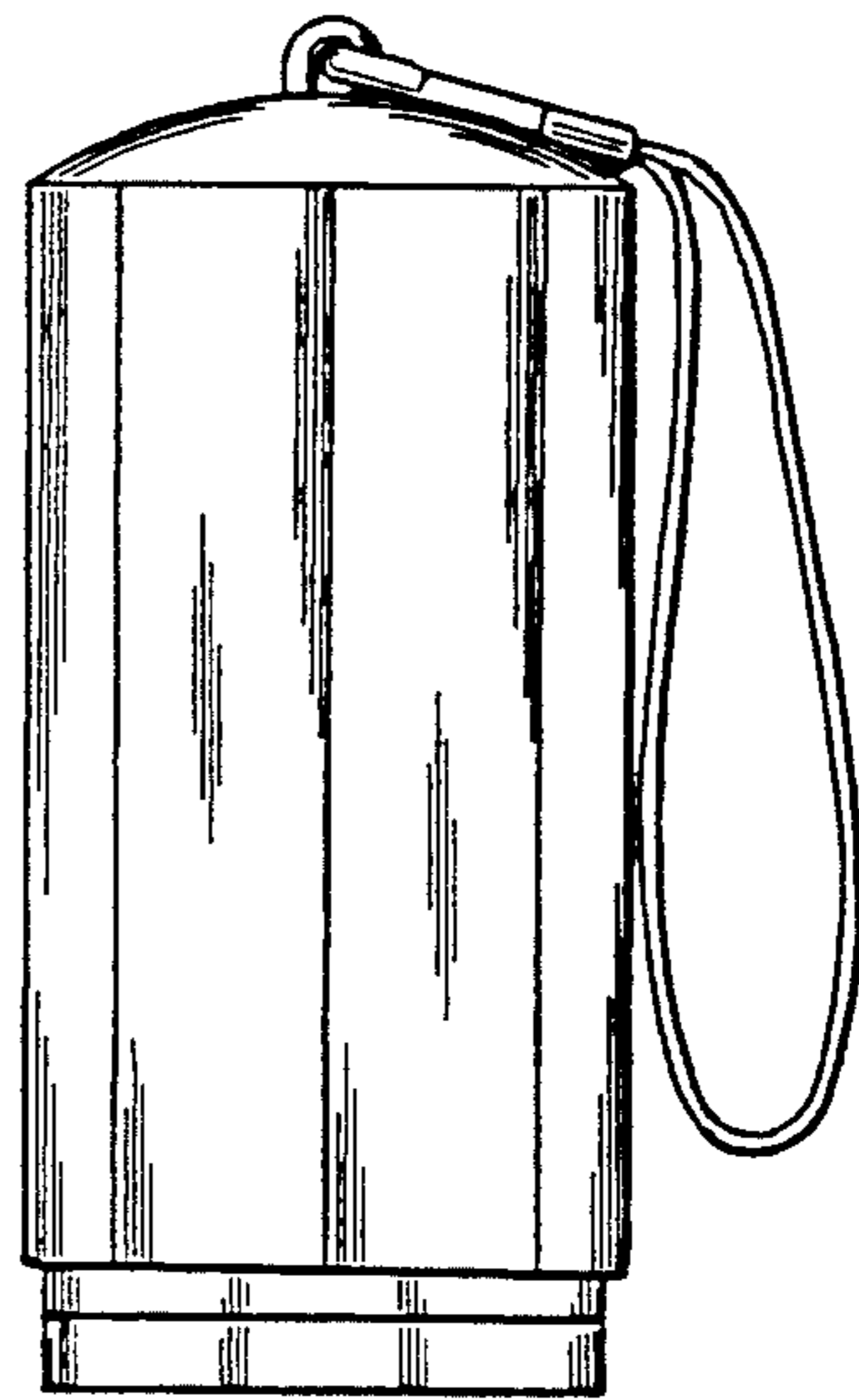


FIG 9

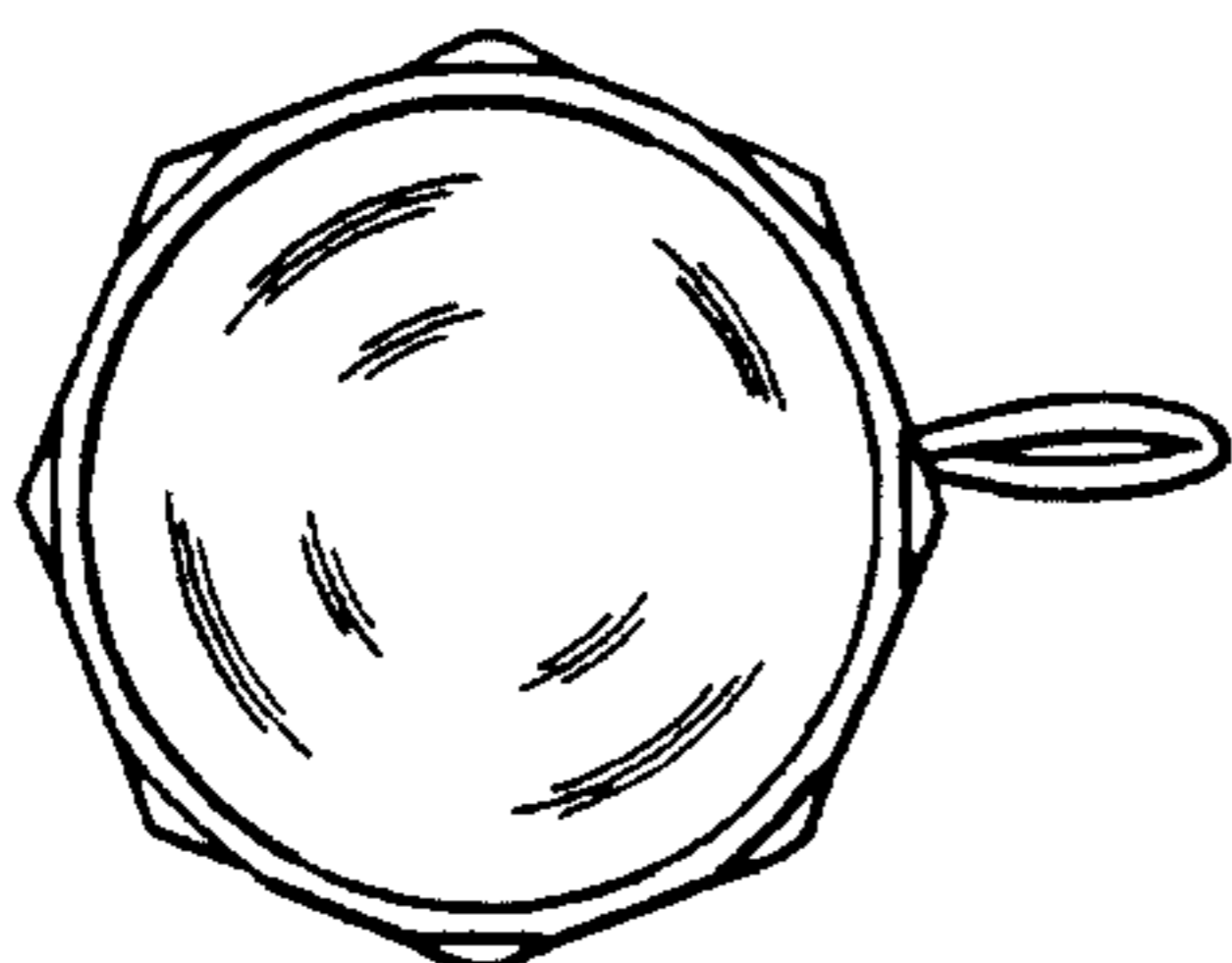


FIG 7

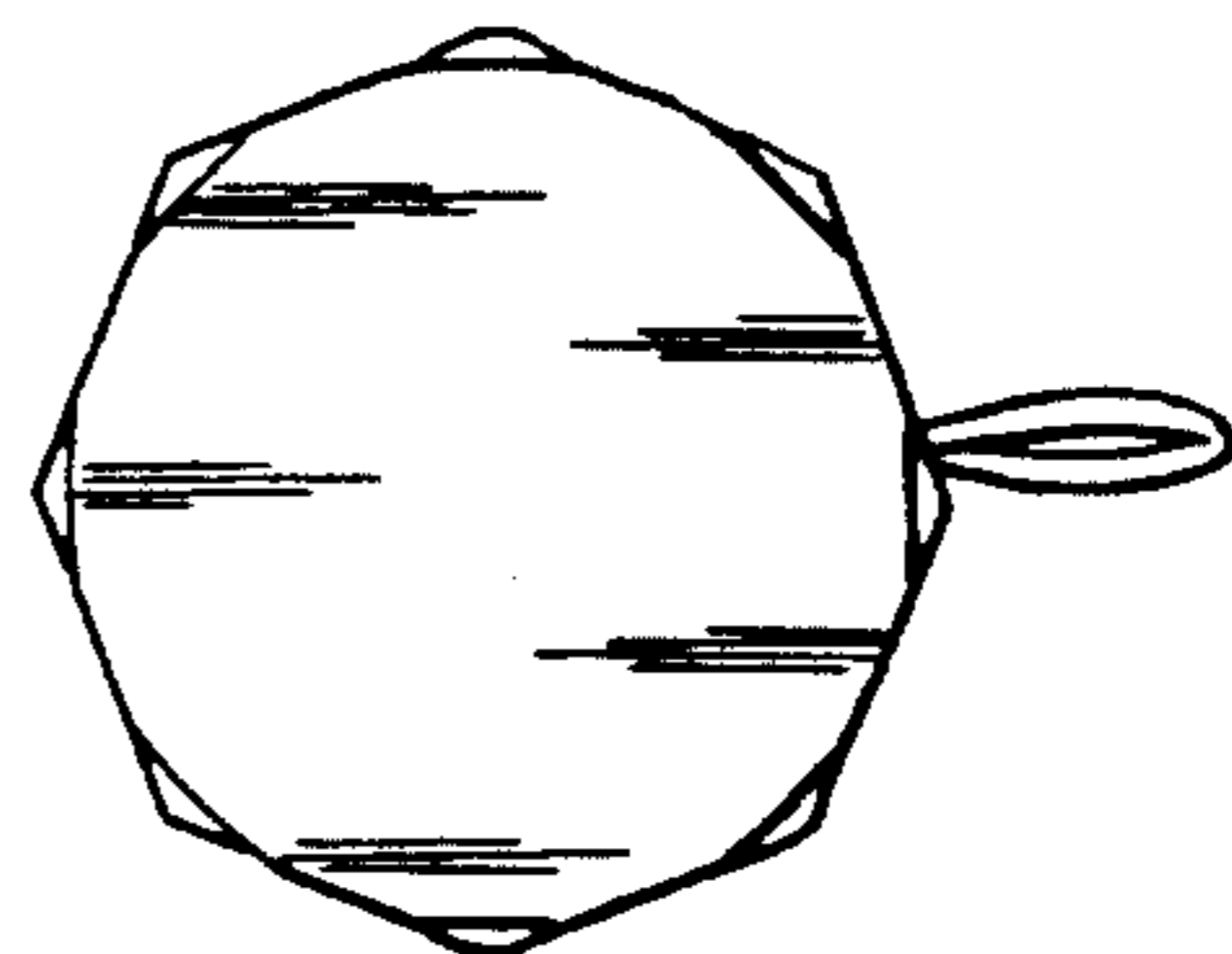


FIG 10