



US00D348565S

United States Patent [19]

[11] Patent Number: **Des. 348,565**

Cummins

[45] Date of Patent: **** Jul. 12, 1994**

[54] UTILITY BELT

[76] Inventor: **Wallace L. Cummins**, 72 W. Central Ave., Paoli, Pa. 19301

[**] Term: **14 Years**

[21] Appl. No.: **223**

[22] Filed: **Oct. 6, 1992**

[52] U.S. Cl. **D3/215; D3/230**

[58] Field of Search **D3/100; 224/918, 904, 224/901**

Assistant Examiner—Paula Mortimer
Attorney, Agent, or Firm—Eckert Seamans Cherin & Mellott

[57] **CLAIM**

The ornamental design for a utility belt, as shown and described.

DESCRIPTION

FIG. 1 is a front perspective view of a utility belt showing my new design;
FIG. 2 is a bottom view of the utility belt shown in FIG. 4;
FIG. 3 is a top view of the utility belt shown in FIG. 4;
FIG. 4 is a front view of the utility belt;
FIG. 5 is a left side view of the utility belt shown in FIG. 6;
FIG. 6 is a rear view of the utility belt; and,
FIG. 7 is a right side view of the utility belt shown in FIG. 6.

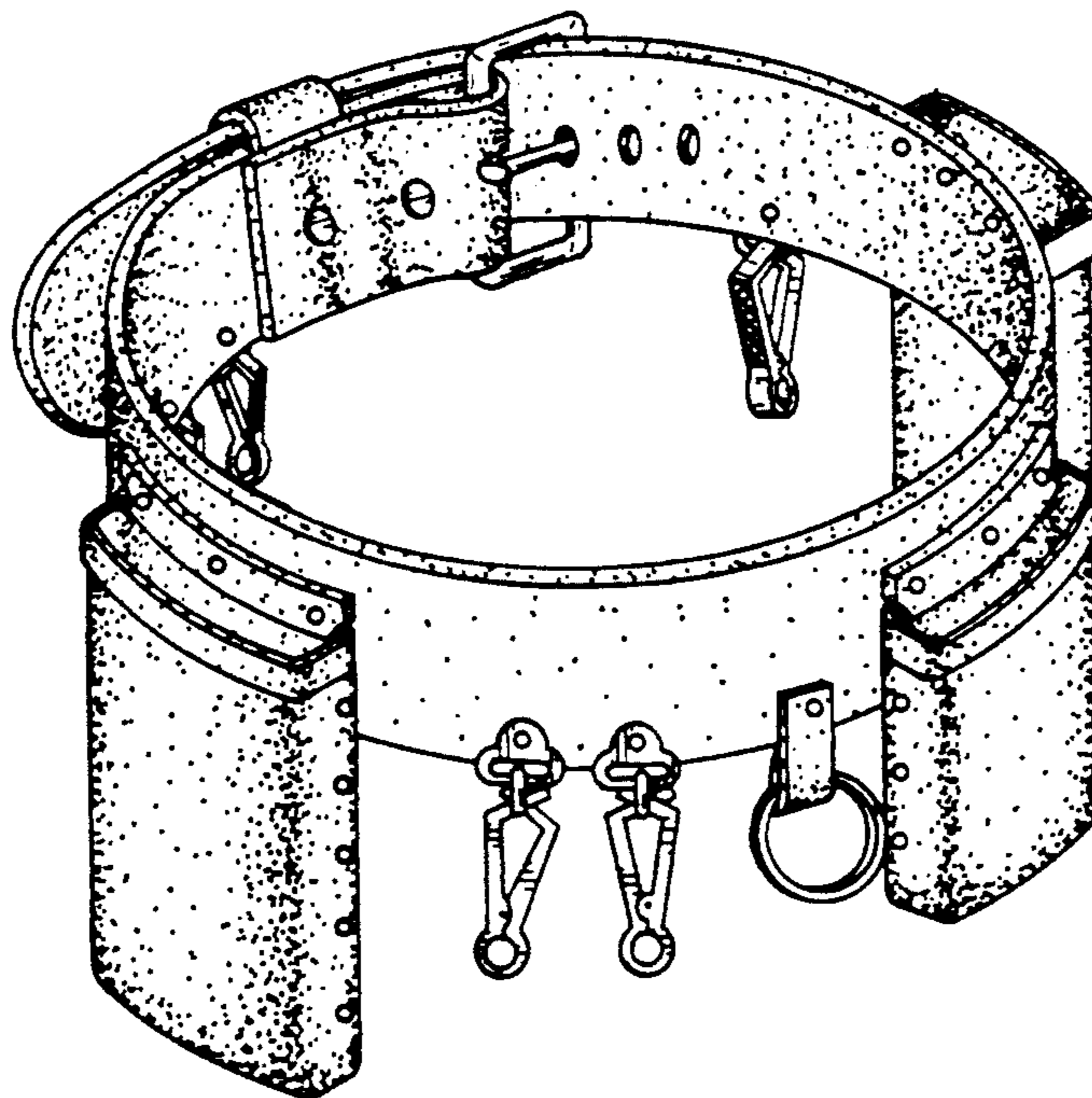
[56]

References Cited

U.S. PATENT DOCUMENTS

| | | | | |
|-----------|---------|---------|-------|-----------|
| 1,600,027 | 9/1926 | Welsand | | 224/904 X |
| 2,127,034 | 8/1938 | Kabat | | 224/904 X |
| 3,212,690 | 10/1965 | Green | | 224/904 X |
| 3,664,560 | 5/1972 | Perkins | | D3/100 X |

Primary Examiner—Bernard Ansher



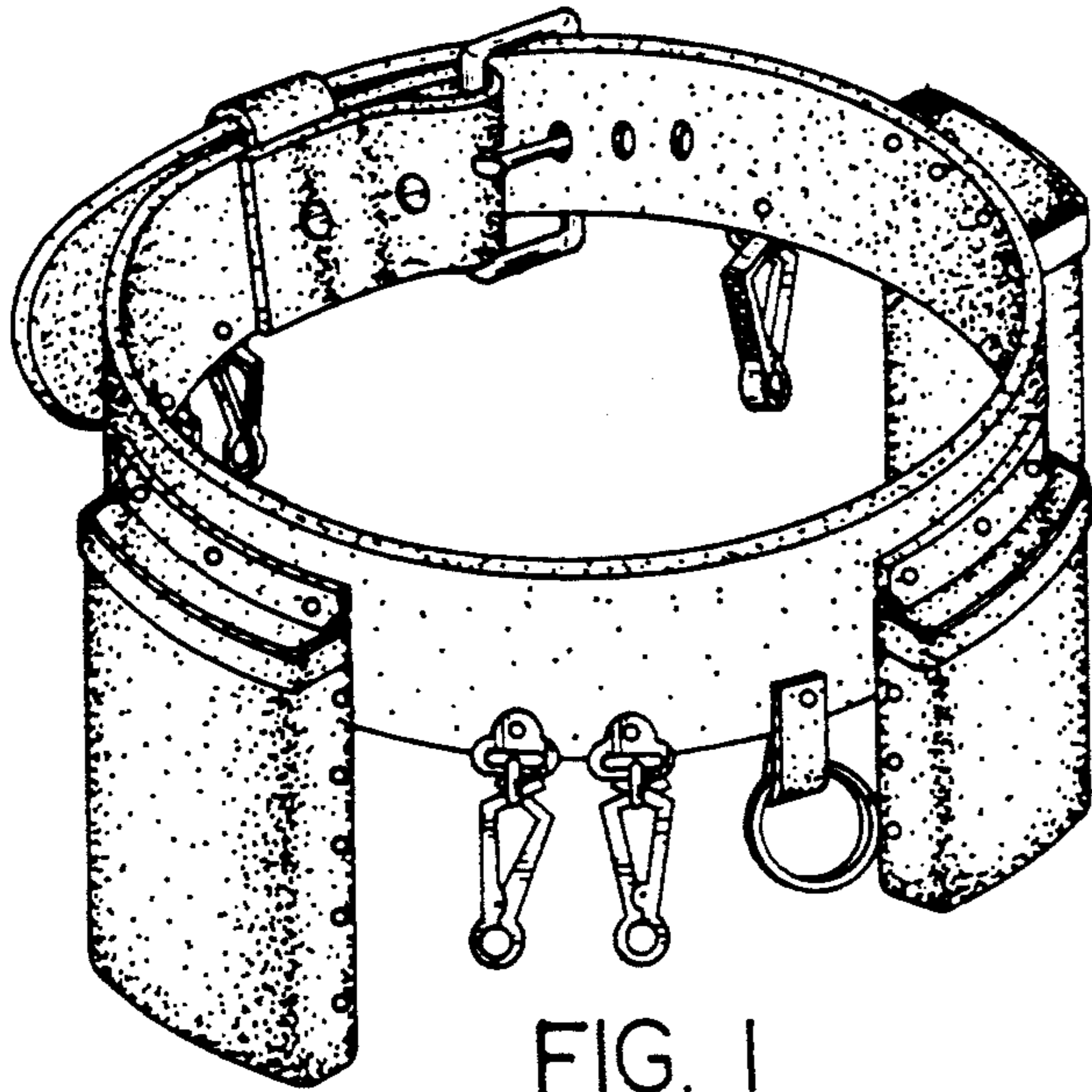


FIG. 1

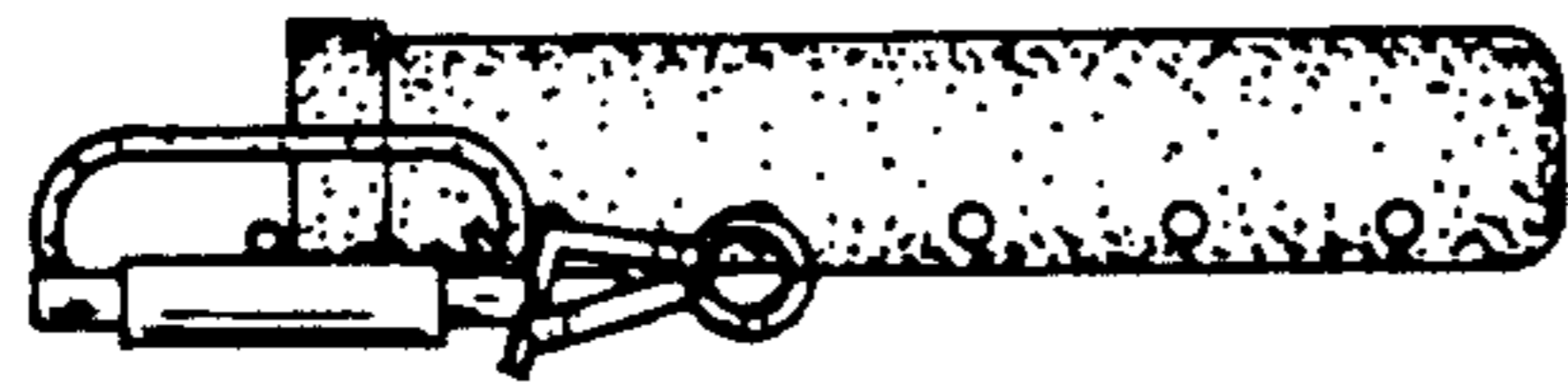


FIG. 2



FIG. 3

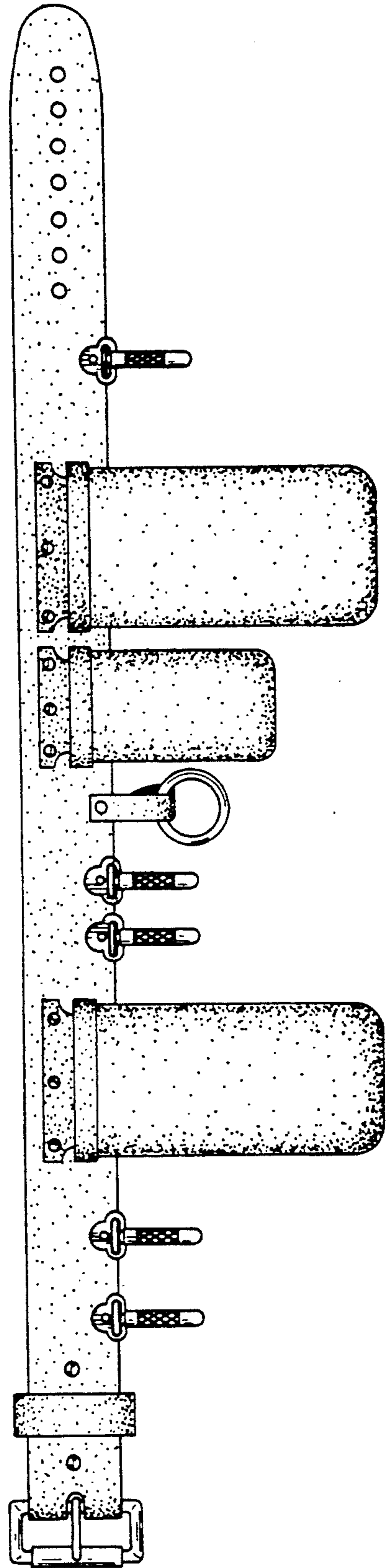


FIG. 4

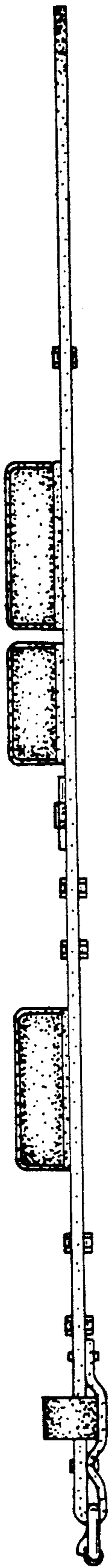


FIG. 5

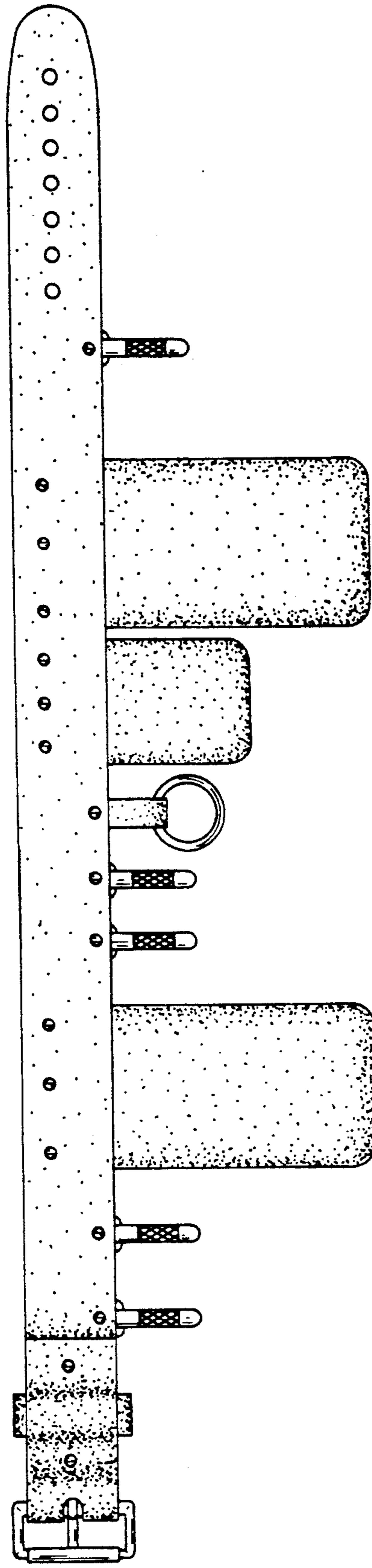


FIG. 6

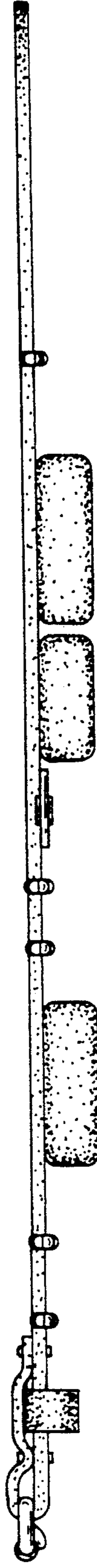


FIG. 7