



US00D348563S

United States Patent [19]

[11] Patent Number: **Des. 348,563**

Horikiri

[45] Date of Patent: **** Jul. 12, 1994**

[54] **CASE FOR AUDIO TAPE CASSETTES**

[75] Inventor: **Kazuhisa Horikiri, Kanagawa, Japan**

[73] Assignee: **Fuji Photo Film Co., Ltd., Kanagawa, Japan**

[**] Term: **14 Years**

[21] Appl. No.: **3,762**

[22] Filed: **Jan. 11, 1993**

3,272,325 9/1966 Schoenmakers D3/35
 3,638,788 2/1972 Solomon D3/35
 3,978,985 9/1976 Zinnbauer 206/387
 4,863,025 9/1989 Wolf 206/387
 5,038,932 8/1991 Shen D3/35
 5,064,065 11/1991 Takahashi 206/387

Primary Examiner—A. Hugo Word
Assistant Examiner—Celia A. Murphy
Attorney, Agent, or Firm—Young & Thompson

Related U.S. Application Data

[62] Division of Ser. No. 716,231, Jun. 17, 1991, Pat. No. D. 334,284.

[52] U.S. Cl. **D6/634**

[58] Field of Search D3/30.1, 35, 39, 56, D3/59, 60, 71, 74, 79, 100; 206/312, 387, 444, 470; 360/133

[57] CLAIM

The ornamental design for a case for audio tape cassettes, as shown and described.

DESCRIPTION

FIG. 1 is a perspective view of a case for audio tape cassettes, showing my new design;
 FIG. 2 is a front elevational view thereof;
 FIG. 3 is a rear elevational view thereof;
 FIG. 4 is a top plan view thereof;
 FIG. 5 is a bottom plan view thereof;
 FIG. 6 is a left side elevational view thereof;
 FIG. 7 is a right side elevational view thereof; and,
 FIG. 8 is a perspective view thereof in an open position.

[56] References Cited

U.S. PATENT DOCUMENTS

D. 271,064 10/1983 Shirako D3/35

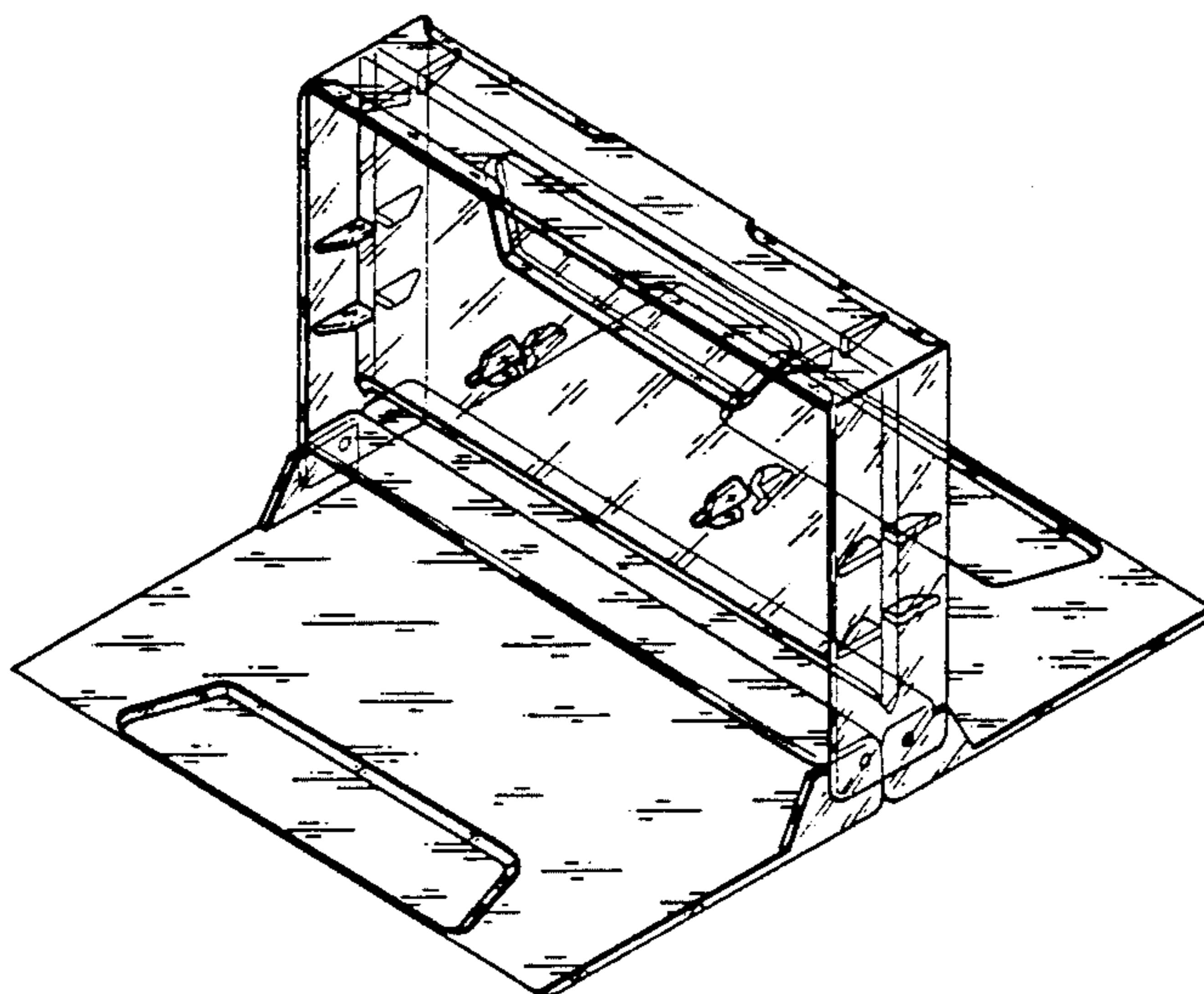
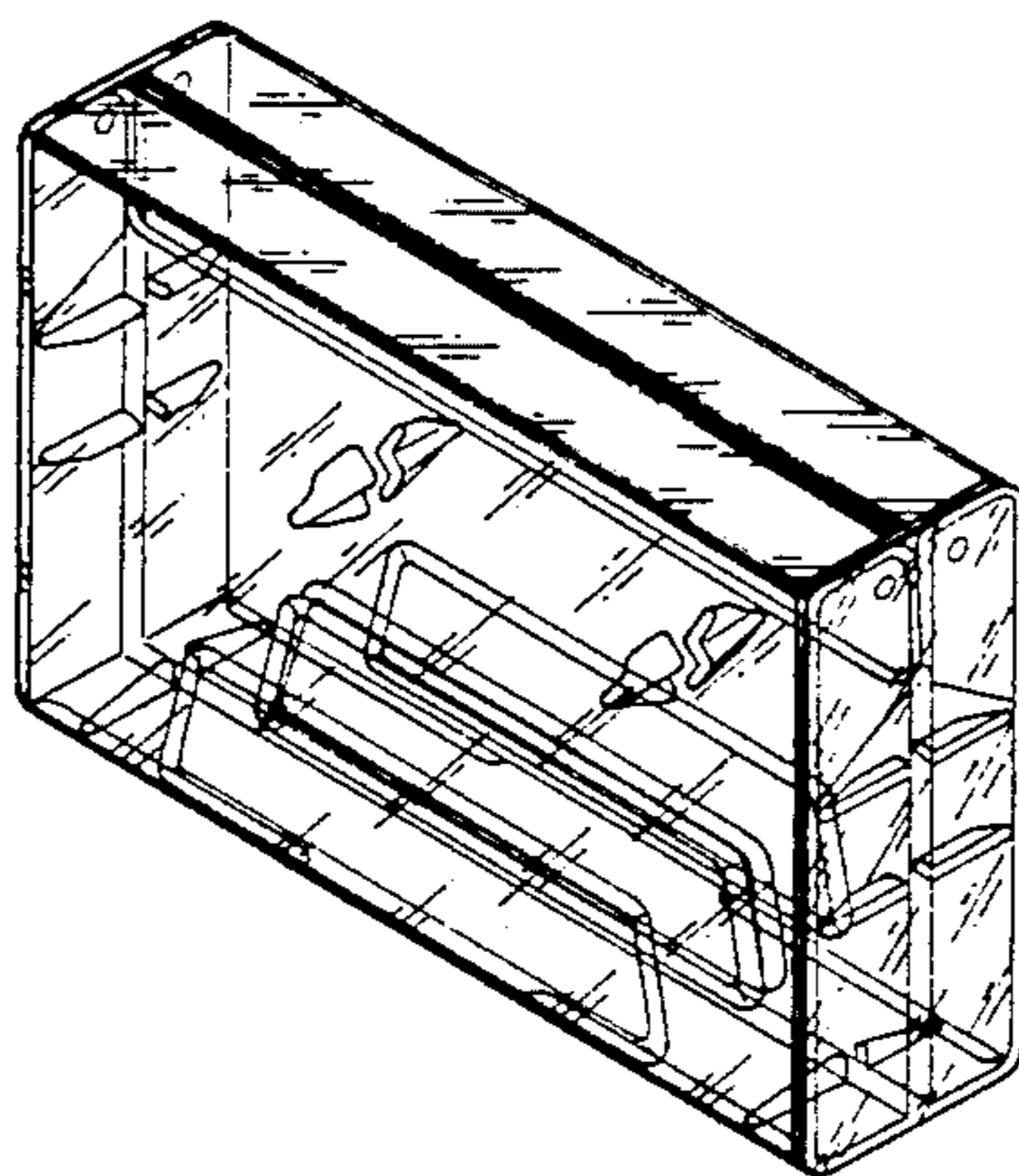


FIG. 1

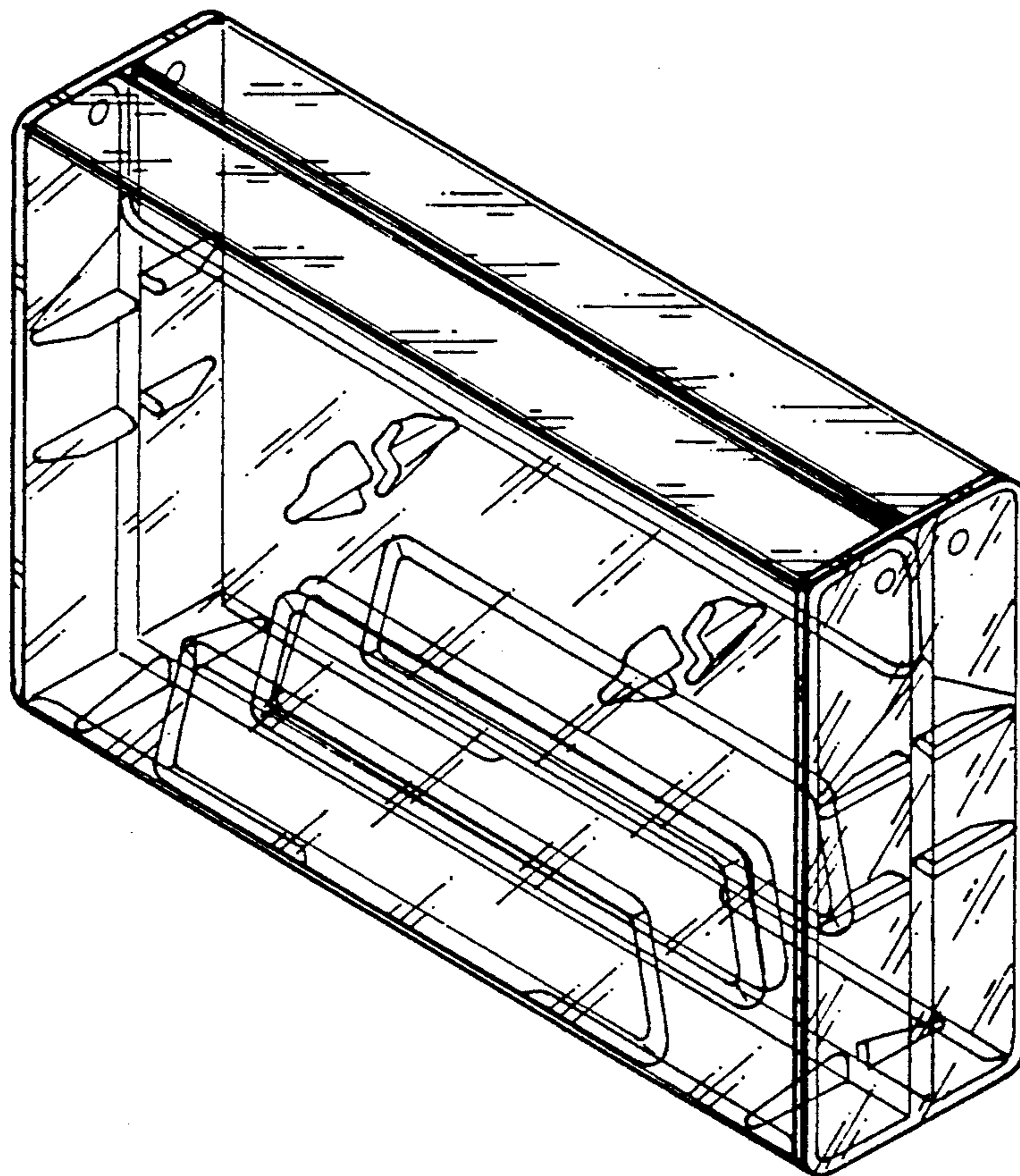


FIG. 2

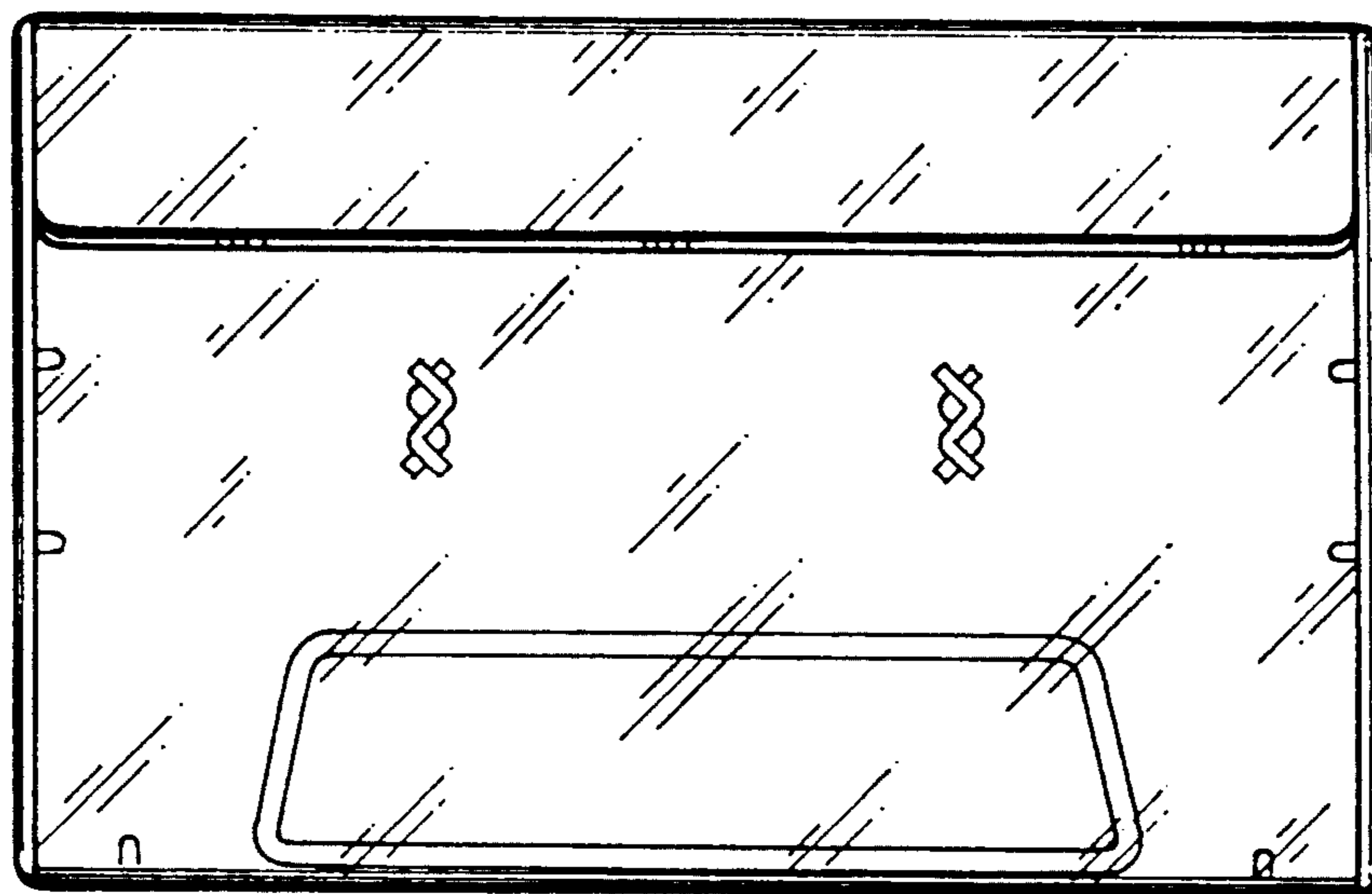


FIG. 3

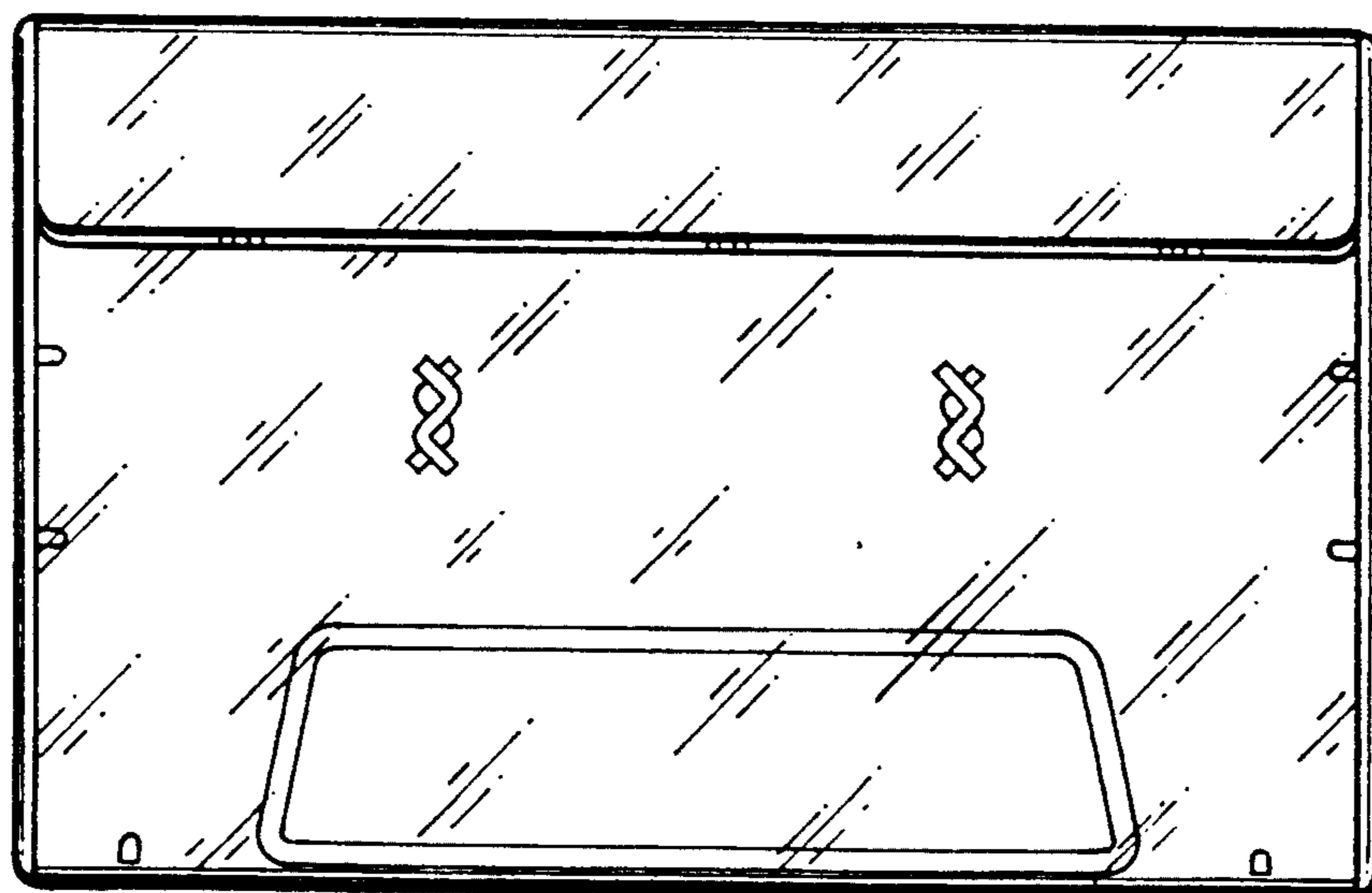


FIG. 4

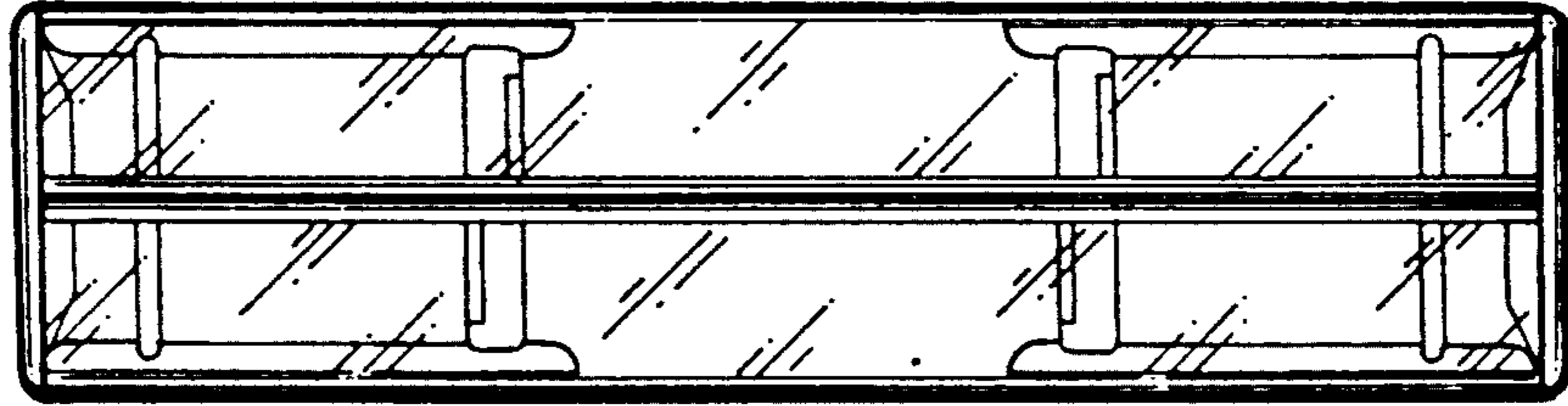


FIG. 5

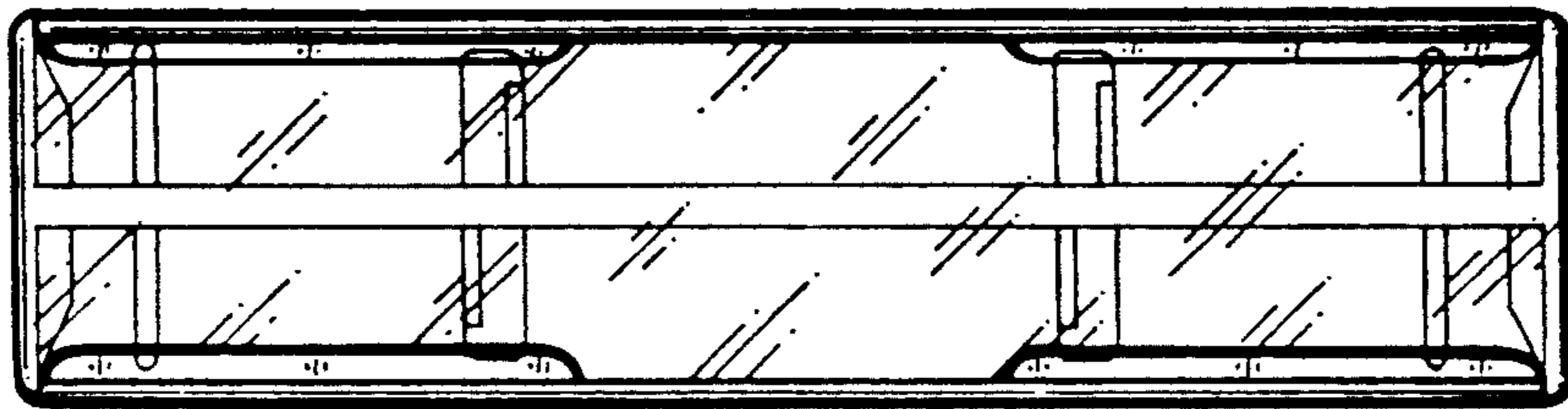


FIG. 6

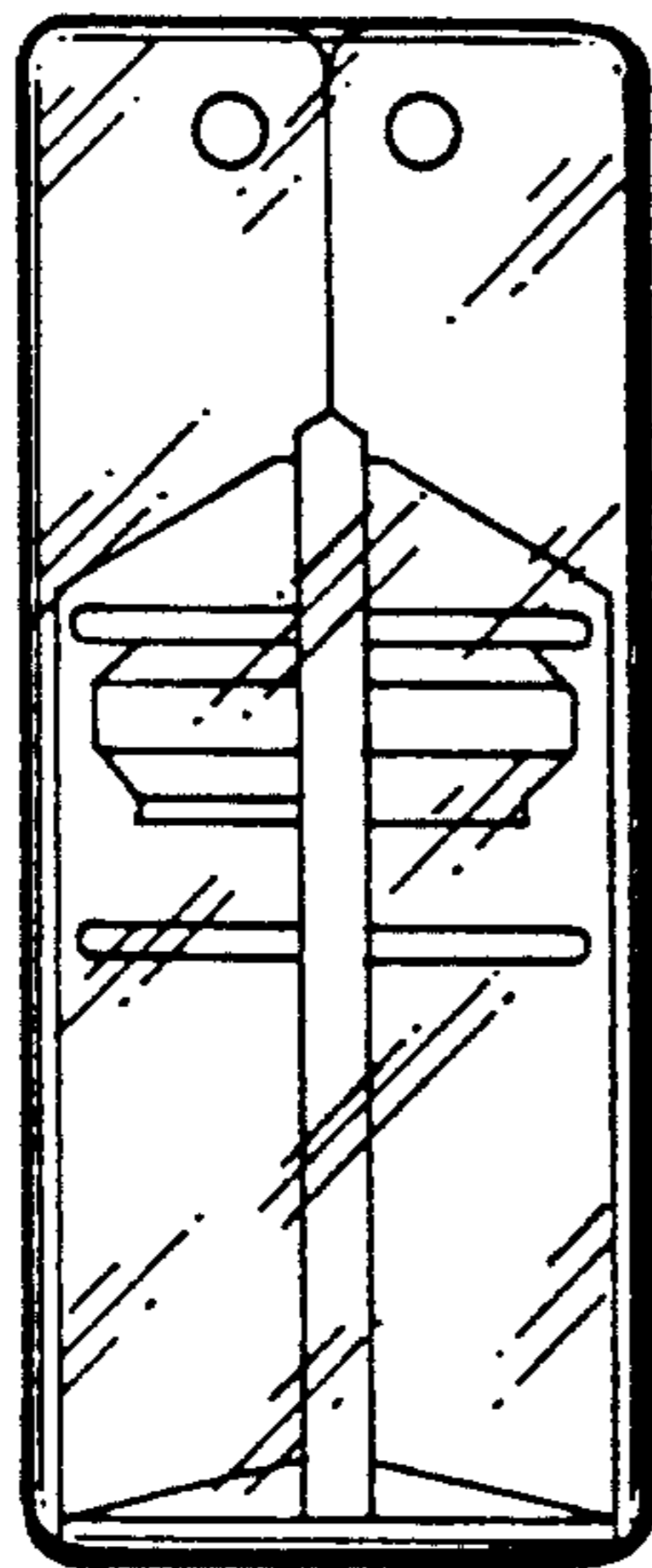


FIG. 7

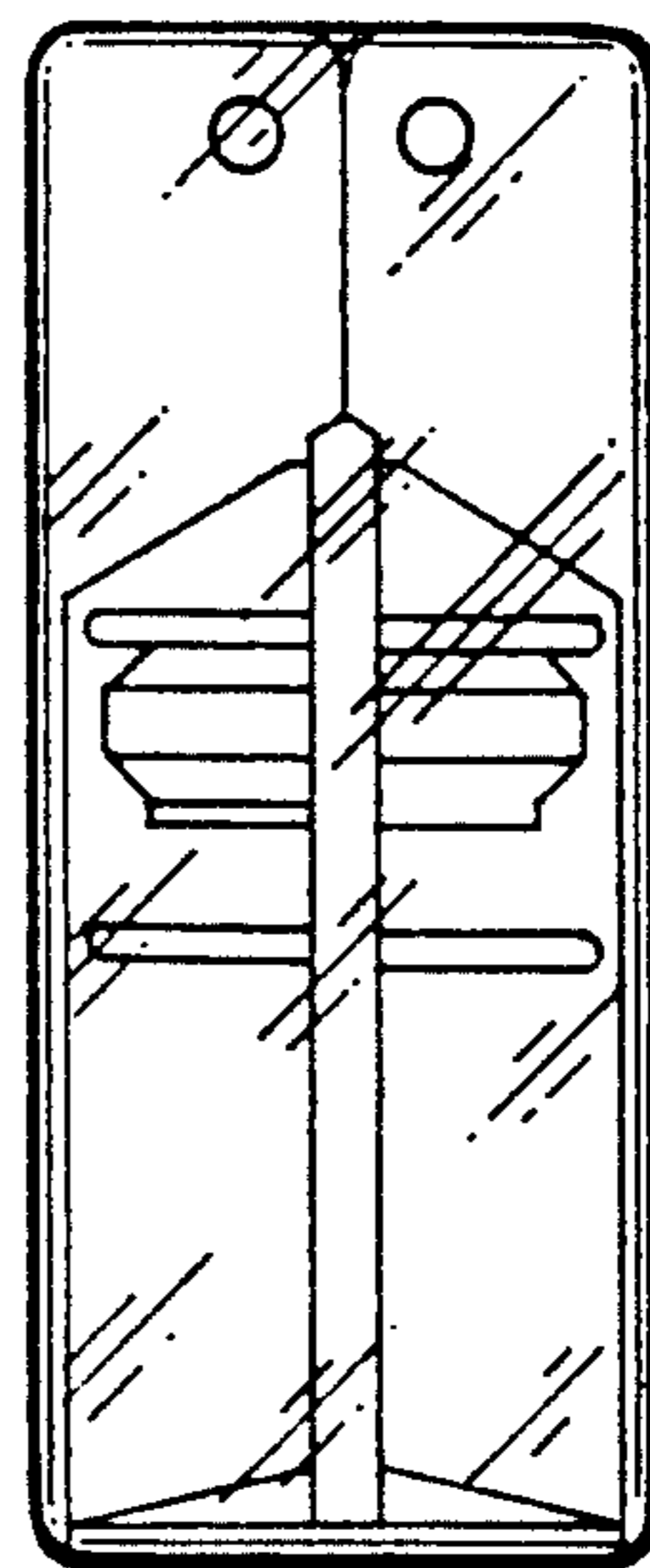


FIG. 8

