



US00D348554S

United States Patent [19]

Shapiro et al.

[11] Patent Number: **Des. 348,554**

[45] Date of Patent: **** Jul. 5, 1994**

[54] **COMBINED MAIL BOX AND POST**

[76] Inventors: **Alvin N. Shapiro**, 909 Centennial Rd., Narberth, Pa. 19072; **Jerry Bronstein**, 1539 Maple Ave., Paoli, Pa. 19301

[**] Term: **14 Years**

[21] Appl. No.: **8,405**

[22] Filed: **May 11, 1993**

[52] U.S. Cl. **D99/31**

[58] Field of Search 232/17, 34, 24, 7, 17; D99/31, 29, 32

[56] **References Cited**

U.S. PATENT DOCUMENTS

| | | | | |
|------------|---------|-------------|-------|--------|
| D. 335,750 | 5/1993 | Berardi | | D99/31 |
| 4,498,621 | 2/1985 | Diamond | | 232/17 |
| 4,509,675 | 4/1985 | Siff et al. | | 232/17 |
| 4,756,471 | 7/1988 | Zumach | | 232/17 |
| 5,060,908 | 10/1991 | Sofy | | 232/17 |
| 5,096,115 | 3/1992 | Hassan | | 232/17 |
| 5,148,974 | 9/1992 | Clapper | | 232/17 |

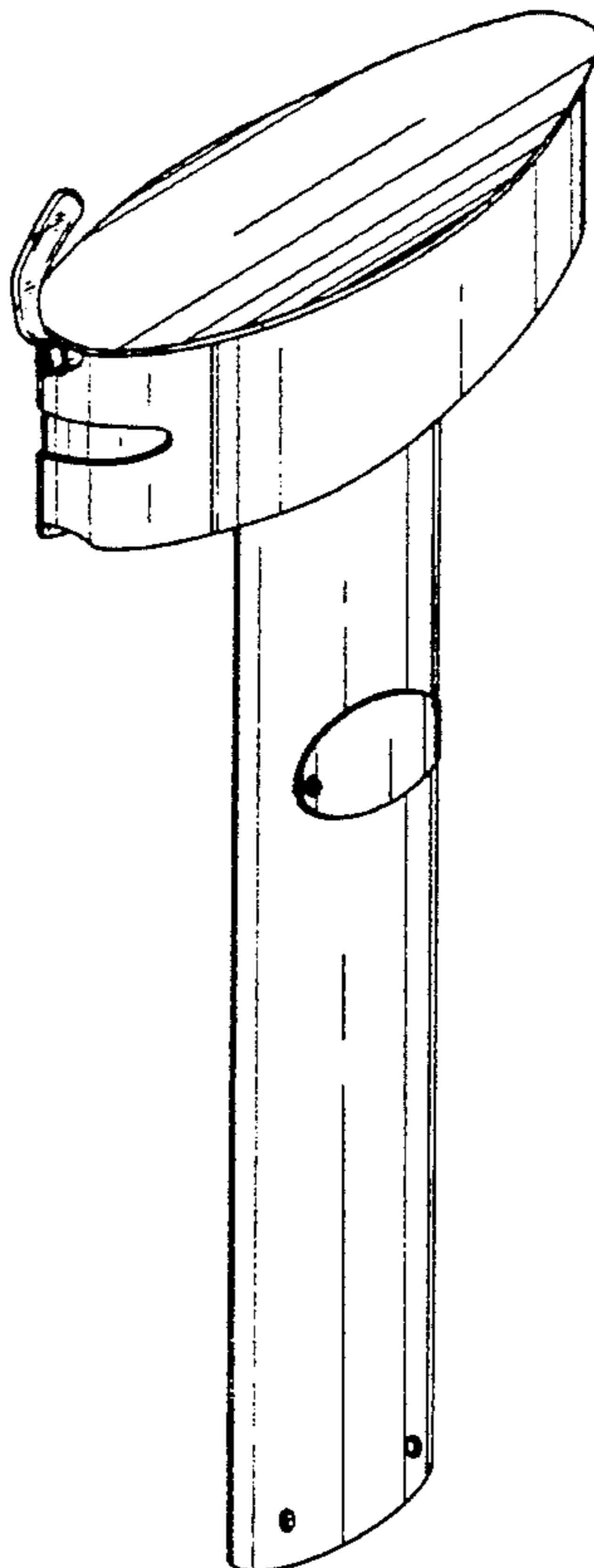
Primary Examiner—Alan P. Douglas
Assistant Examiner—Jeffrey H. Musgrove
Attorney, Agent, or Firm—Ratner & Prestia

[57] **CLAIM**

The ornamental design for a combined mail box and post, as shown and described.

DESCRIPTION

FIG. 1 is front, top and right side perspective view of a combined mail box and post showing our new design; FIG. 2 is a left side elevational view thereof; FIG. 3 is a right side elevational view thereof; FIG. 4 is a front elevational view thereof; FIG. 5 is a rear elevational view thereof; FIG. 6 is a top plan view thereof; FIG. 7 is a bottom plan view thereof; FIG. 8 is a left side elevational view of a second embodiment of our new design for a mail box and post, and is identical to the first embodiment except that it has no mail slot in the front thereof and no keyhole in the base of the flag thereof; FIG. 9 is a front elevational view of a second embodiment of our new design for a mail box and post, and is identical to the first embodiment except that it has no mail slot in the front thereof and no keyhole in the base of the flag thereof; FIG. 10 is a front elevational view of a third embodiment of our new design for a mail box and post, and is identical to the first embodiment except that it has no panels on the sides of the post thereof; and, FIG. 11 is a rear elevational view of the third embodiment of our new design for a mail box and post, and is identical to the first embodiment except that it has no panels on the sides of the post thereof.



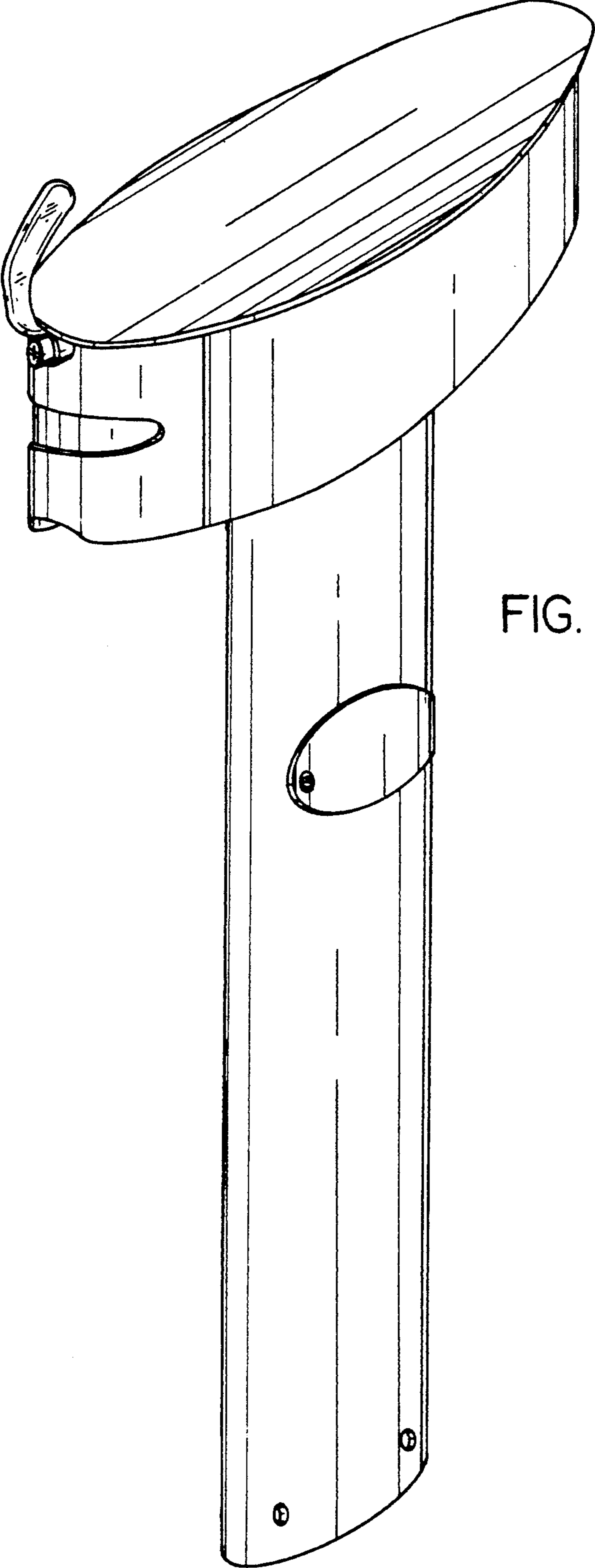


FIG. 1

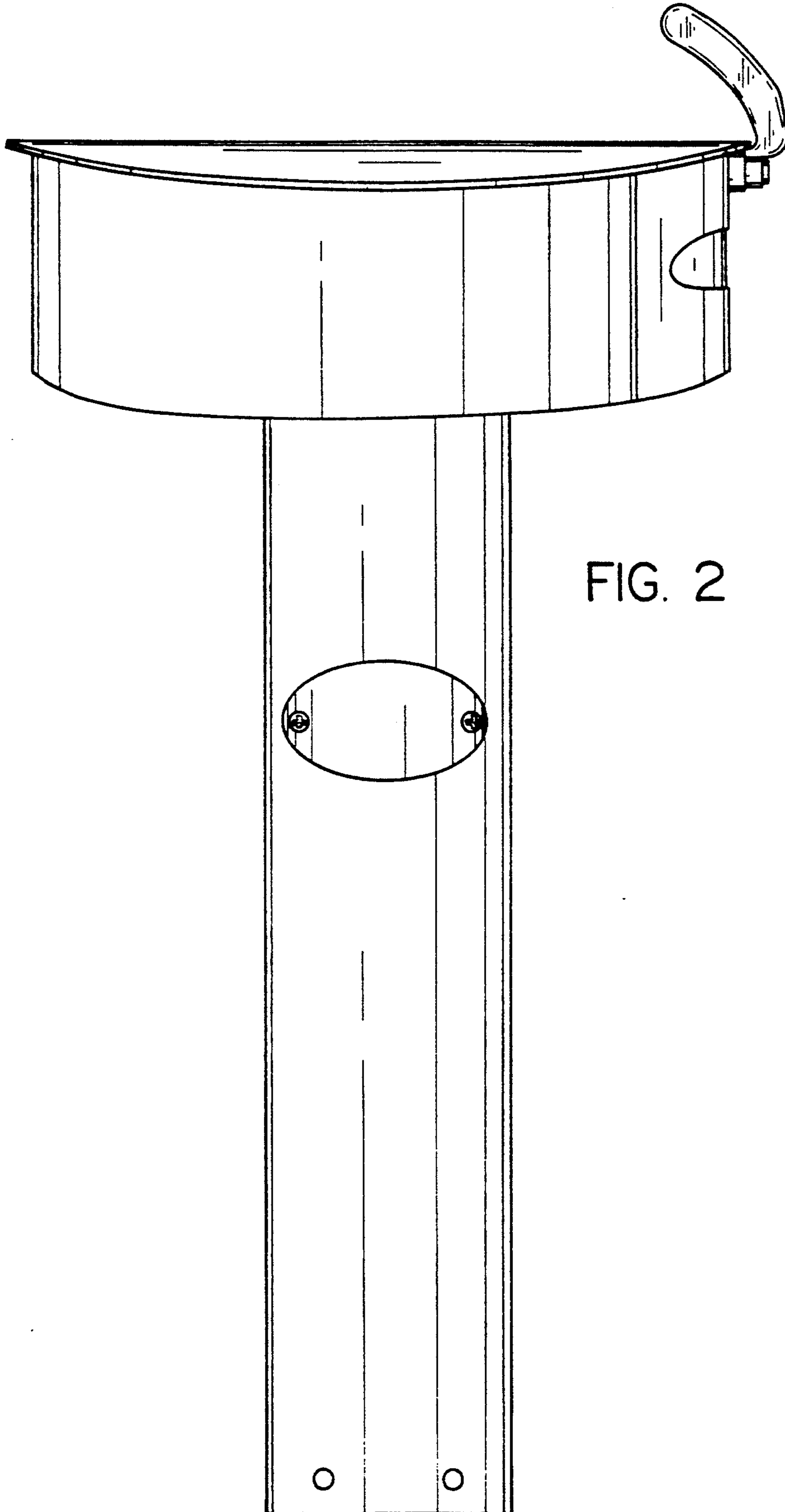


FIG. 2

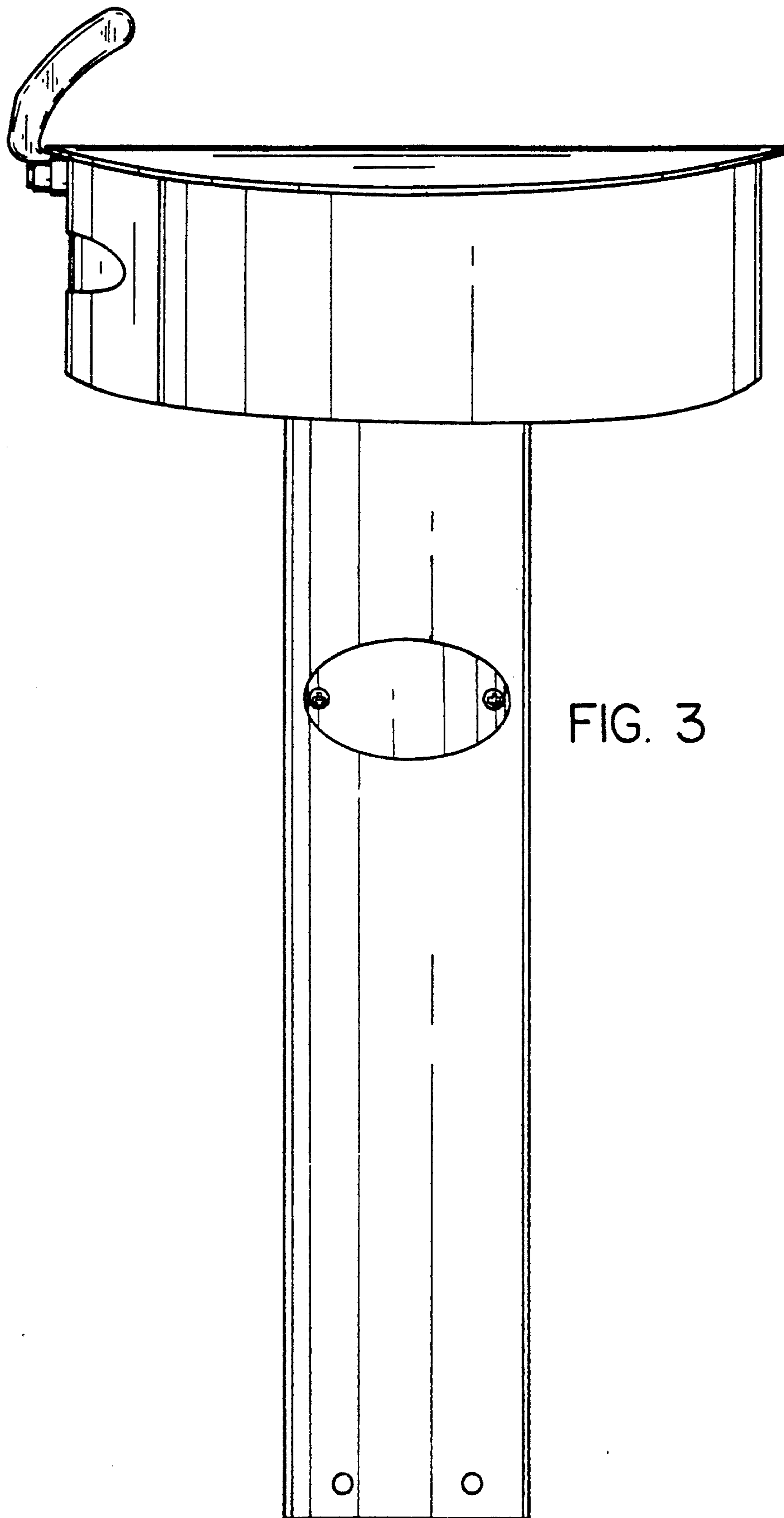


FIG. 3

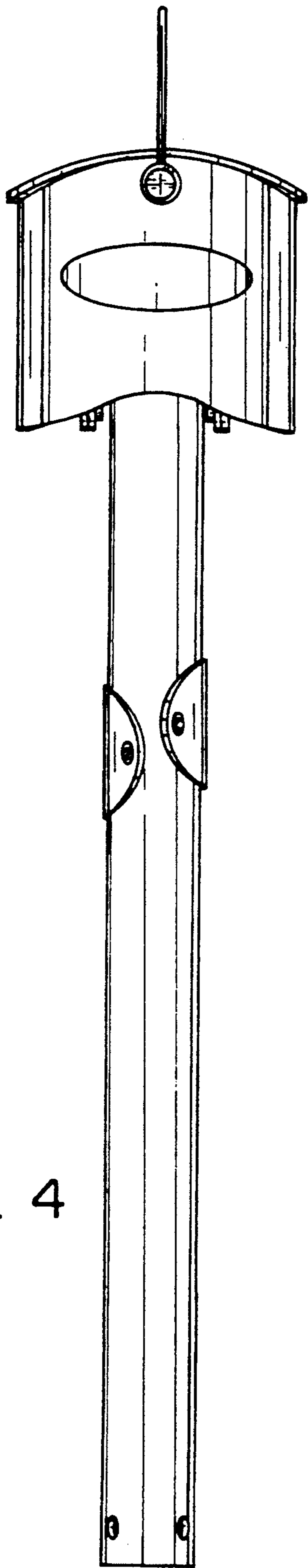


FIG. 4

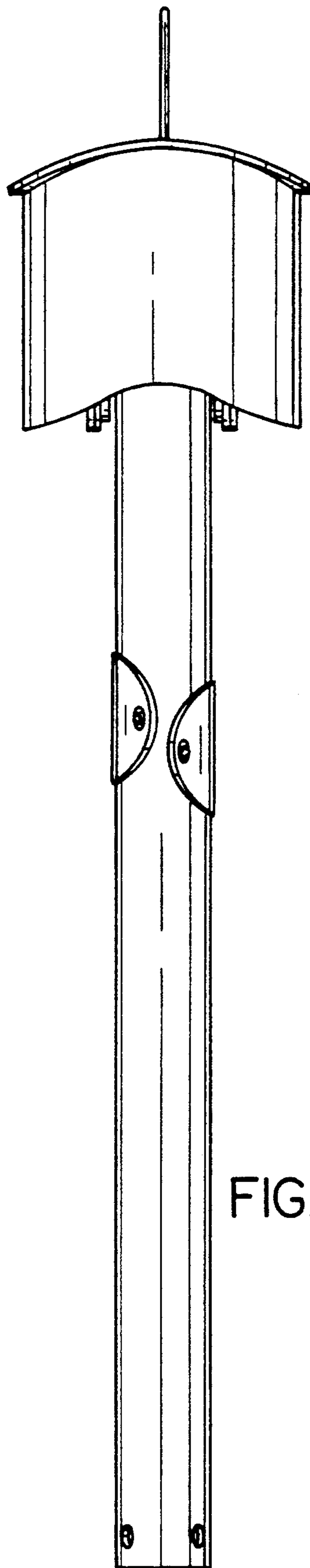


FIG. 5

FIG. 6

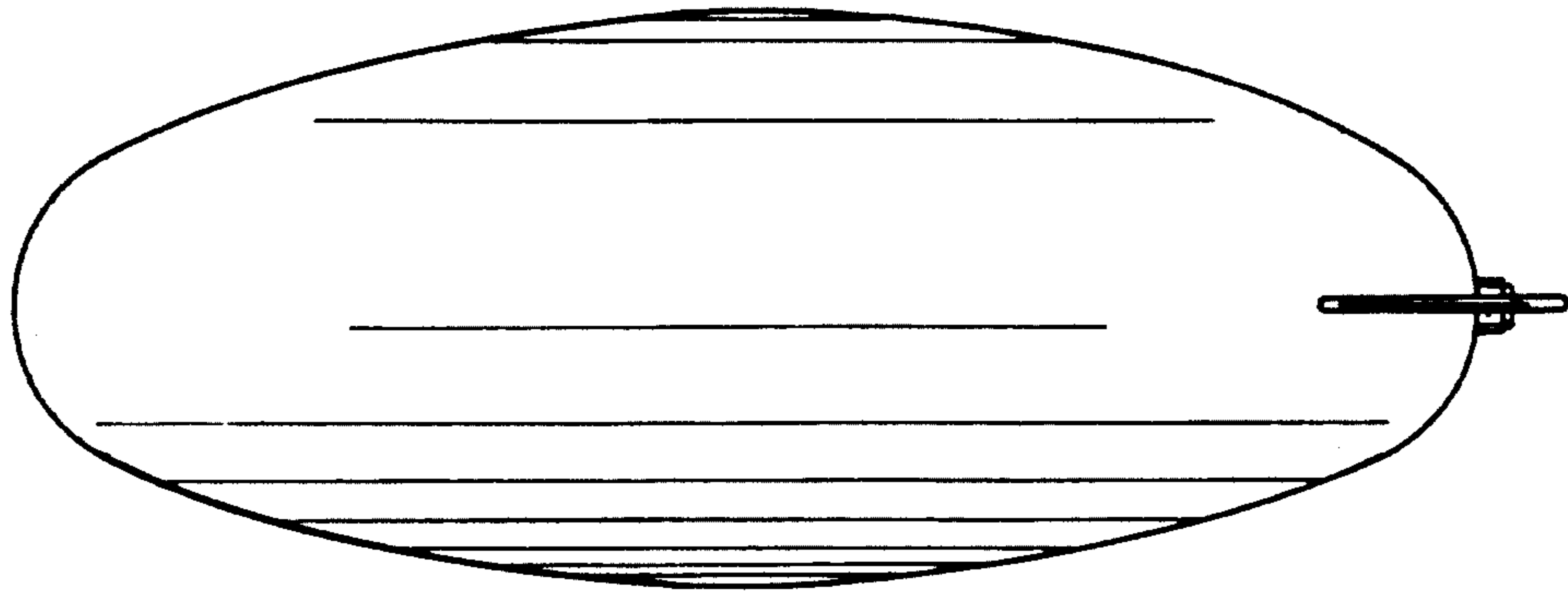
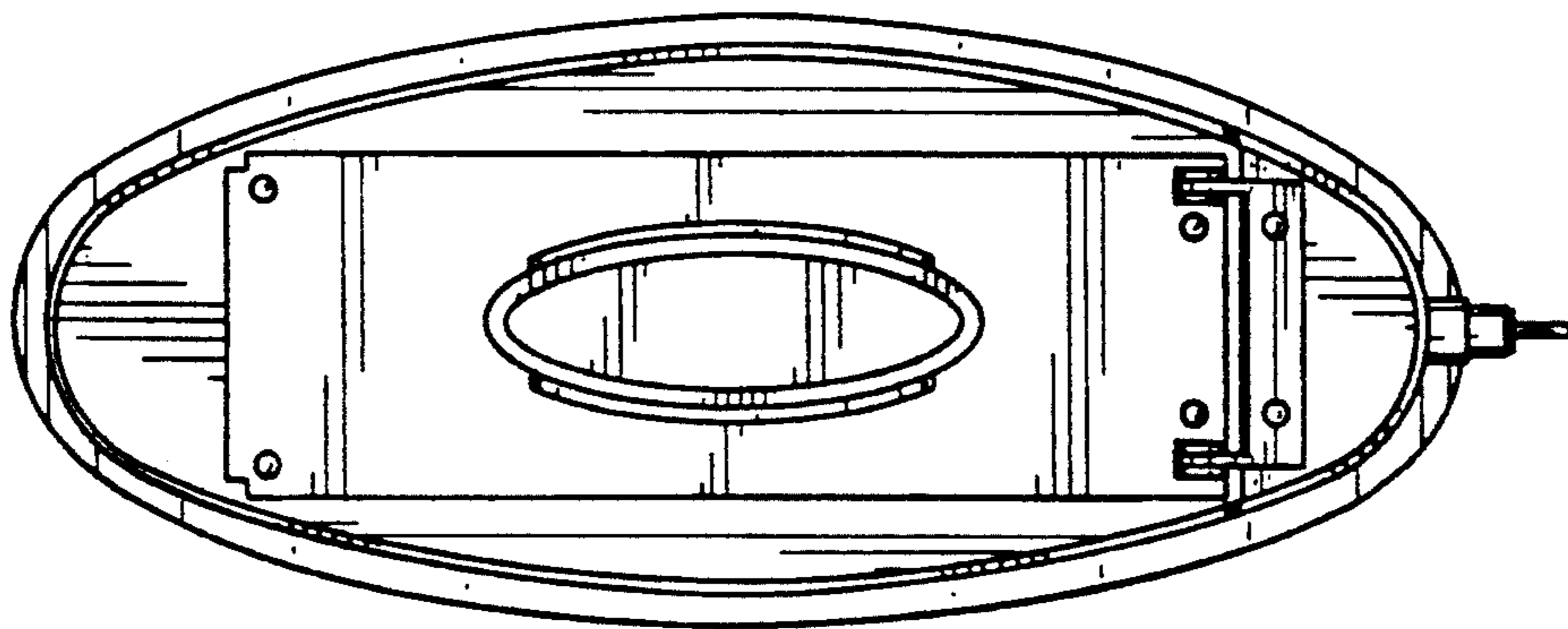


FIG. 7



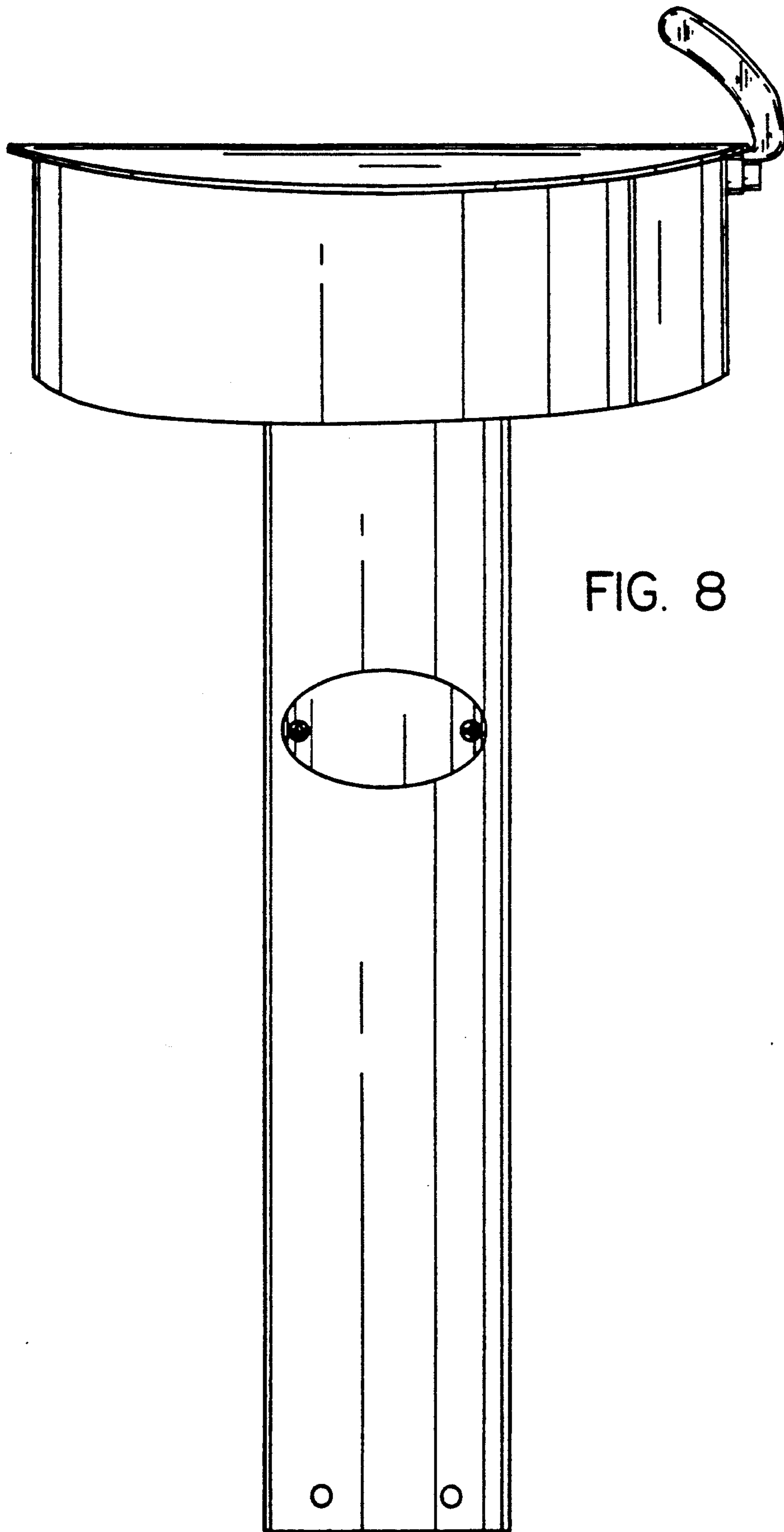


FIG. 8

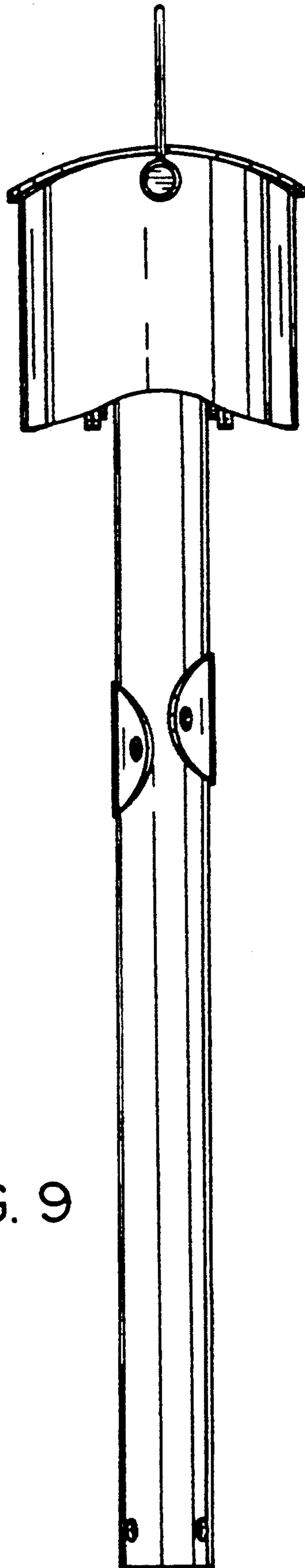


FIG. 9

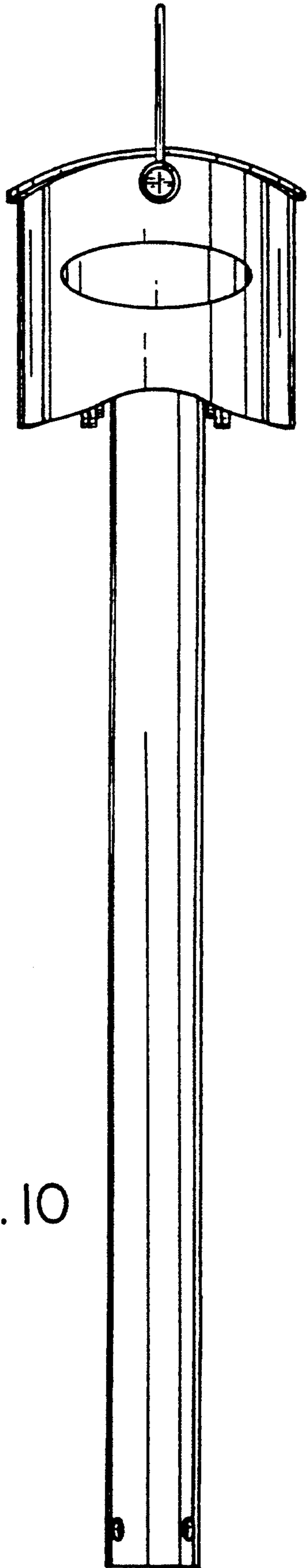


FIG. 10

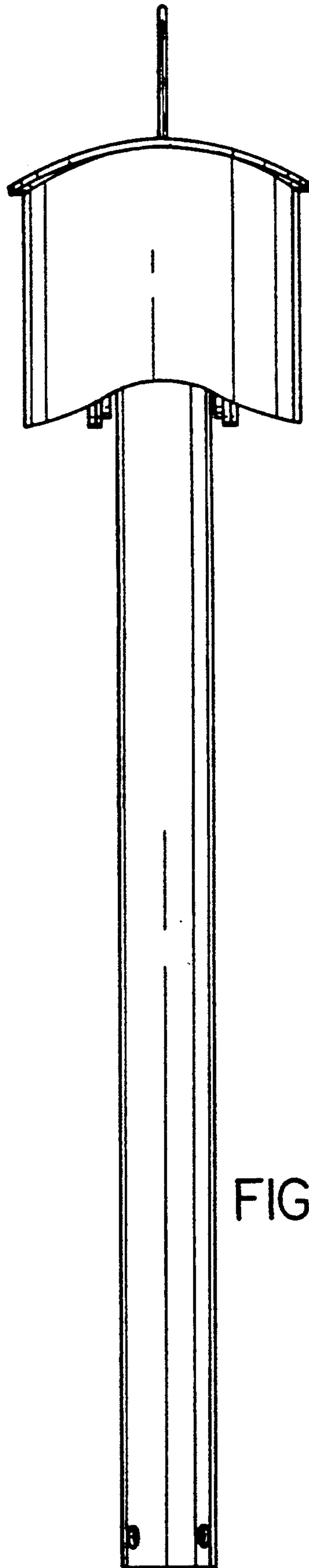


FIG. 11