



US00D348551S

United States Patent [19]

[11] Patent Number: **Des. 348,551**

Pratt

[45] Date of Patent: **** Jul. 5, 1994**

[54] **LOAD CARRIER FOR ROUGH TERRAIN**

4,576,245 3/1986 Oldani .

[76] Inventor: **Steven E. Pratt**, 2998 Maywood Ave., Boise, Id. 83704

4,645,264 2/1987 Morrison .

5,064,011 11/1991 Ogano et al. 180/9.22

[**] Term: **14 Years**

Primary Examiner—Kay H. Chin

Attorney, Agent, or Firm—Terry M. Gernstein

[21] Appl. No.: **6,319**

[57] **CLAIM**

[22] Filed: **Mar. 25, 1993**

The ornamental design for a load carrier for rough terrain, as shown and described.

[52] U.S. Cl. **D34/28; D12/1**

[58] Field of Search 180/9, 22, 19.1, 9, 180/14.1; **D34/28; D12/1, 12**

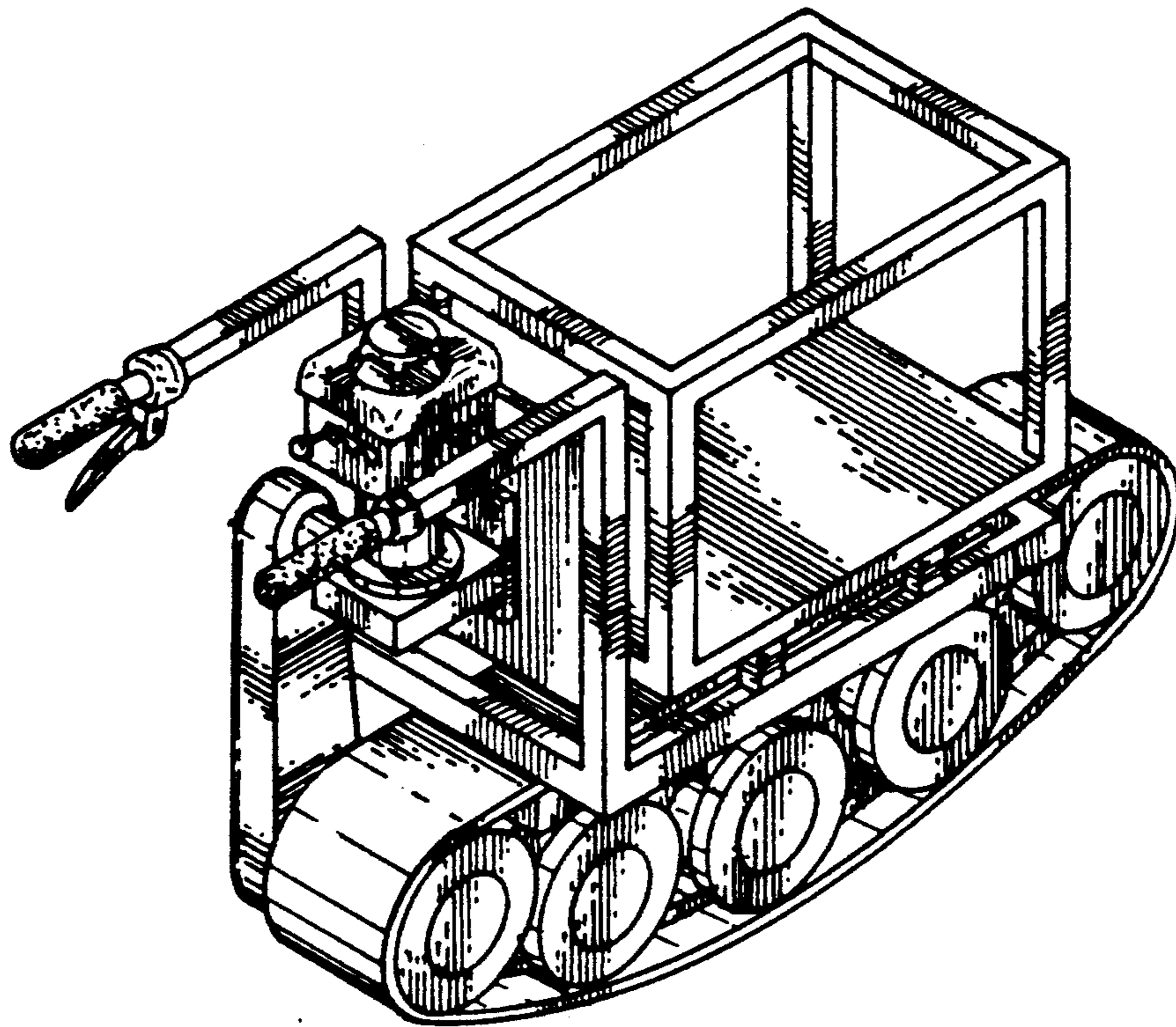
DESCRIPTION

[56] **References Cited**

U.S. PATENT DOCUMENTS

- D. 300,977 5/1989 Watanabe et al. D34/28
- 3,295,622 1/1967 Pitchford 180/9.22
- 3,789,941 2/1974 Robertson 180/9.22
- 4,534,433 8/1985 Burbank .

FIG. 1 is a front, top and side perspective view of the load carrier for rough terrain showing my new design; FIG. 2 is a front end elevational view thereof; FIG. 3 is a rear end elevational view thereof; FIG. 4 is a side elevational view thereof; FIG. 5 is a side elevational view thereof; FIG. 6 is a top plan view thereof; and, FIG. 7 is a bottom plan view thereof.



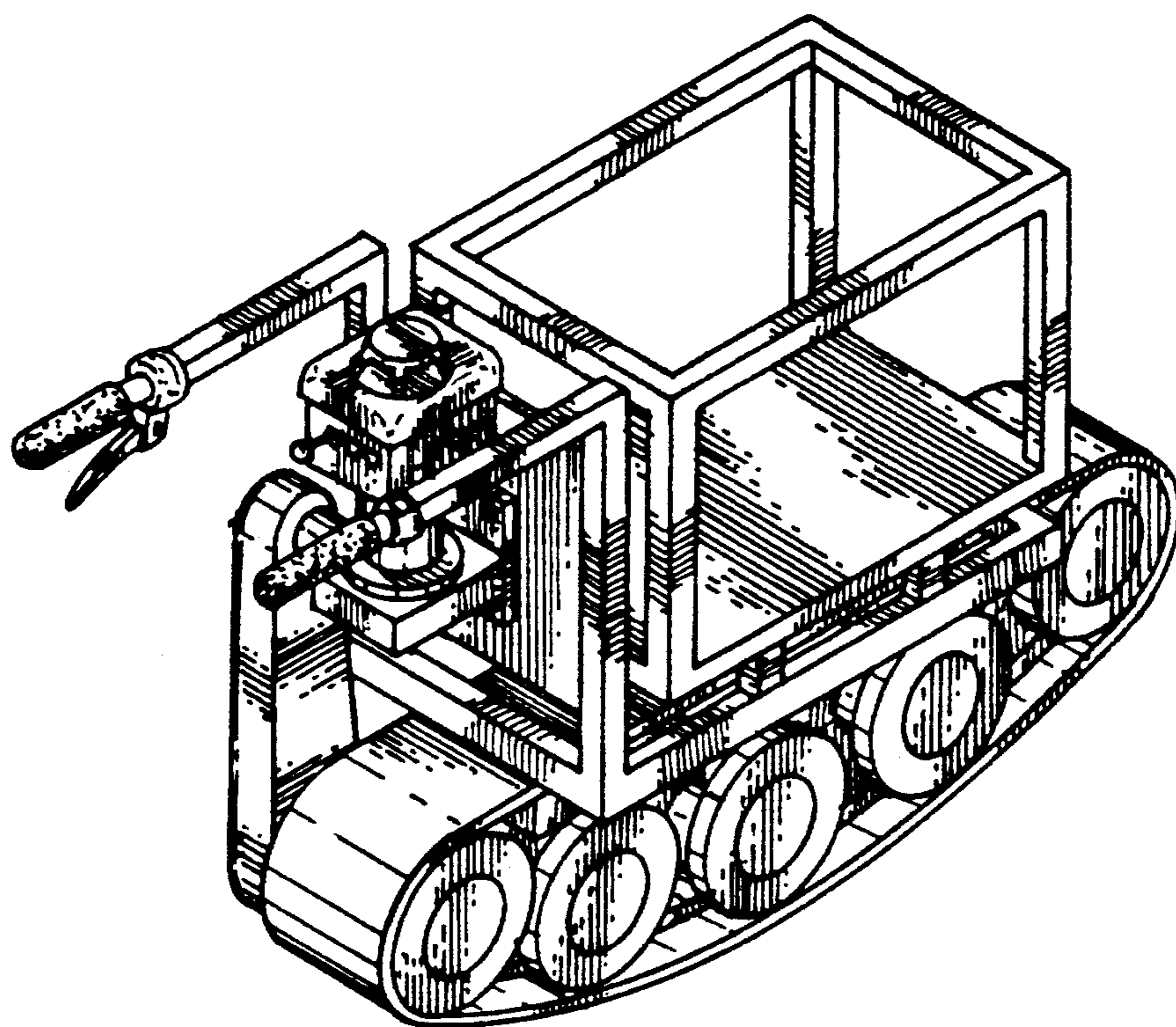


FIG. 1

FIG. 2

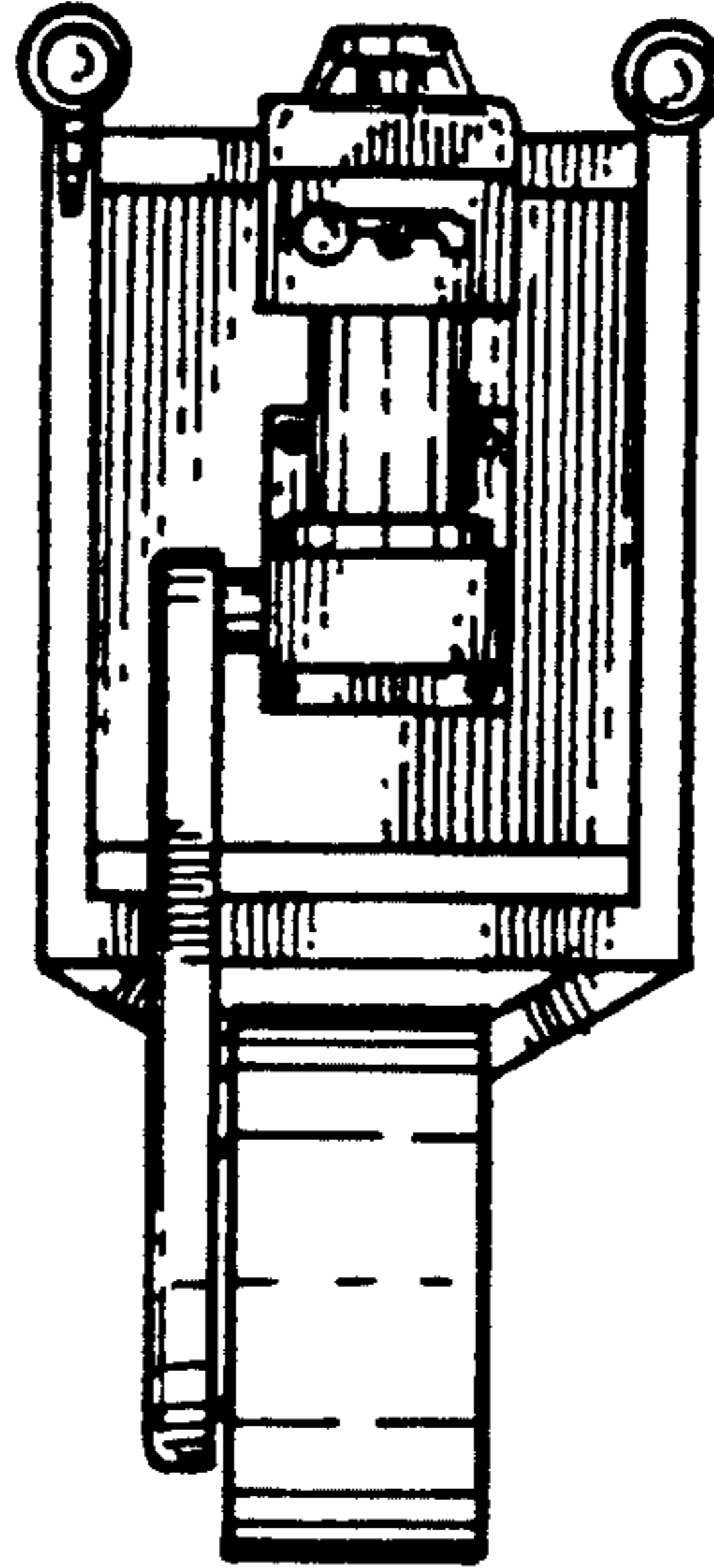


FIG. 3

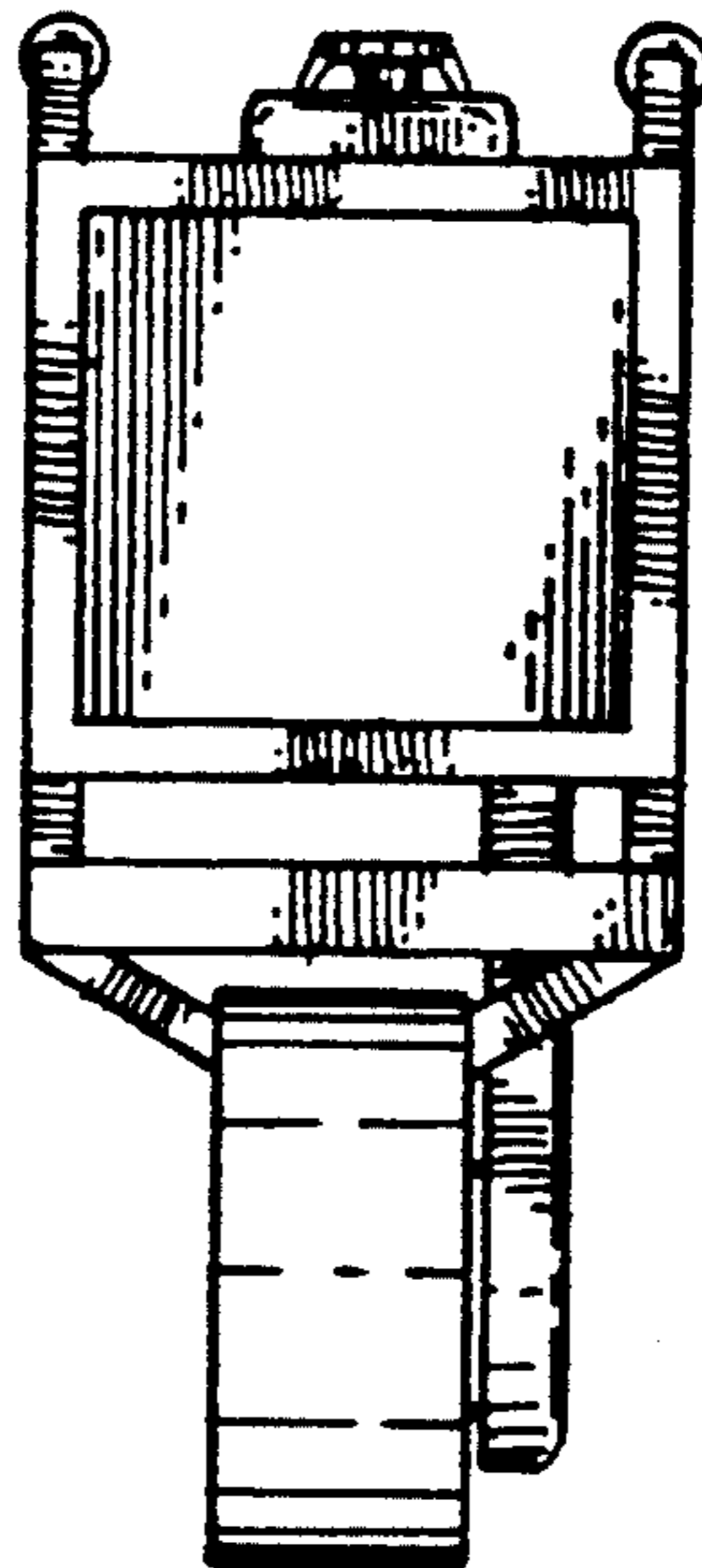


FIG. 4

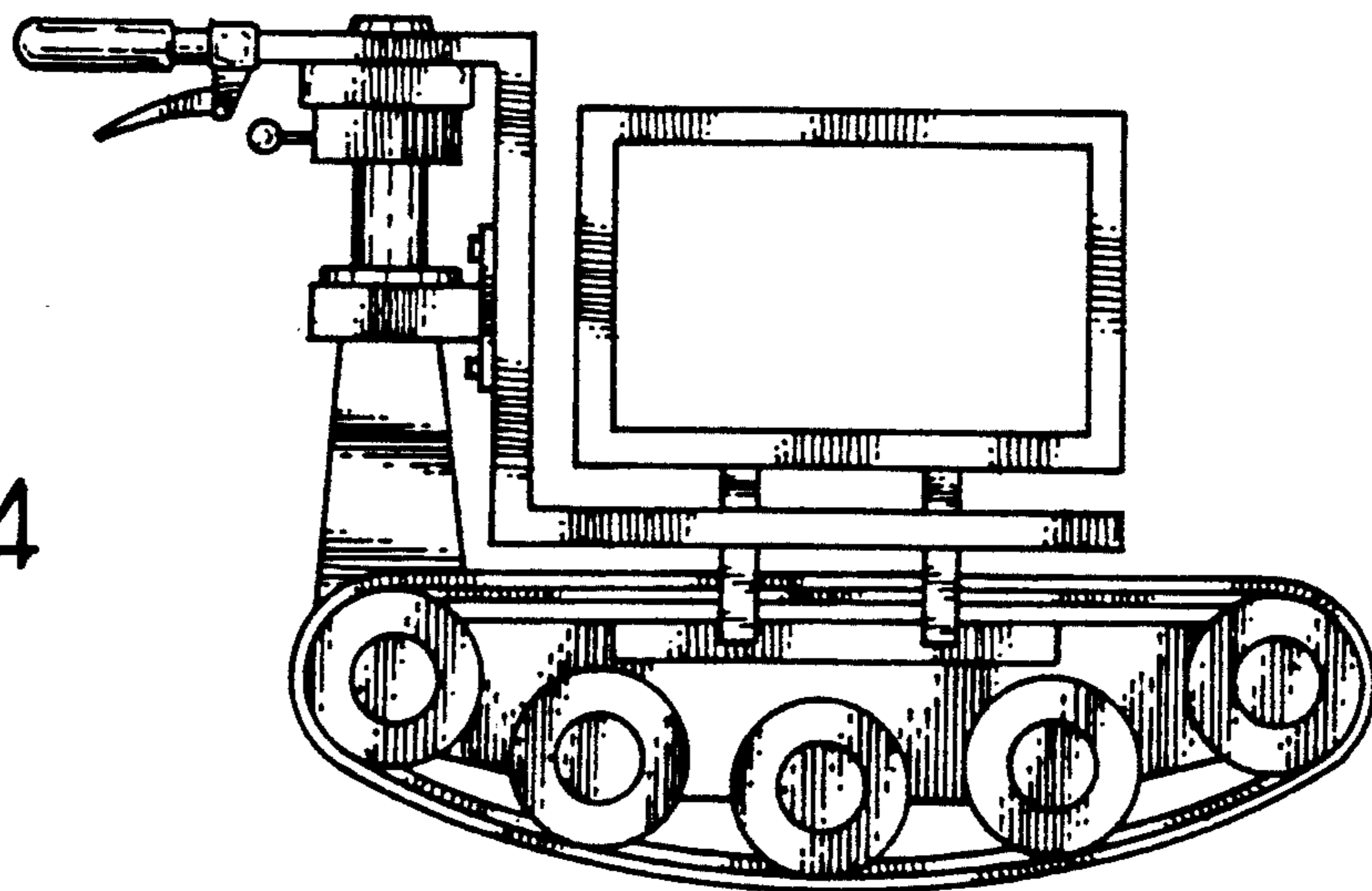
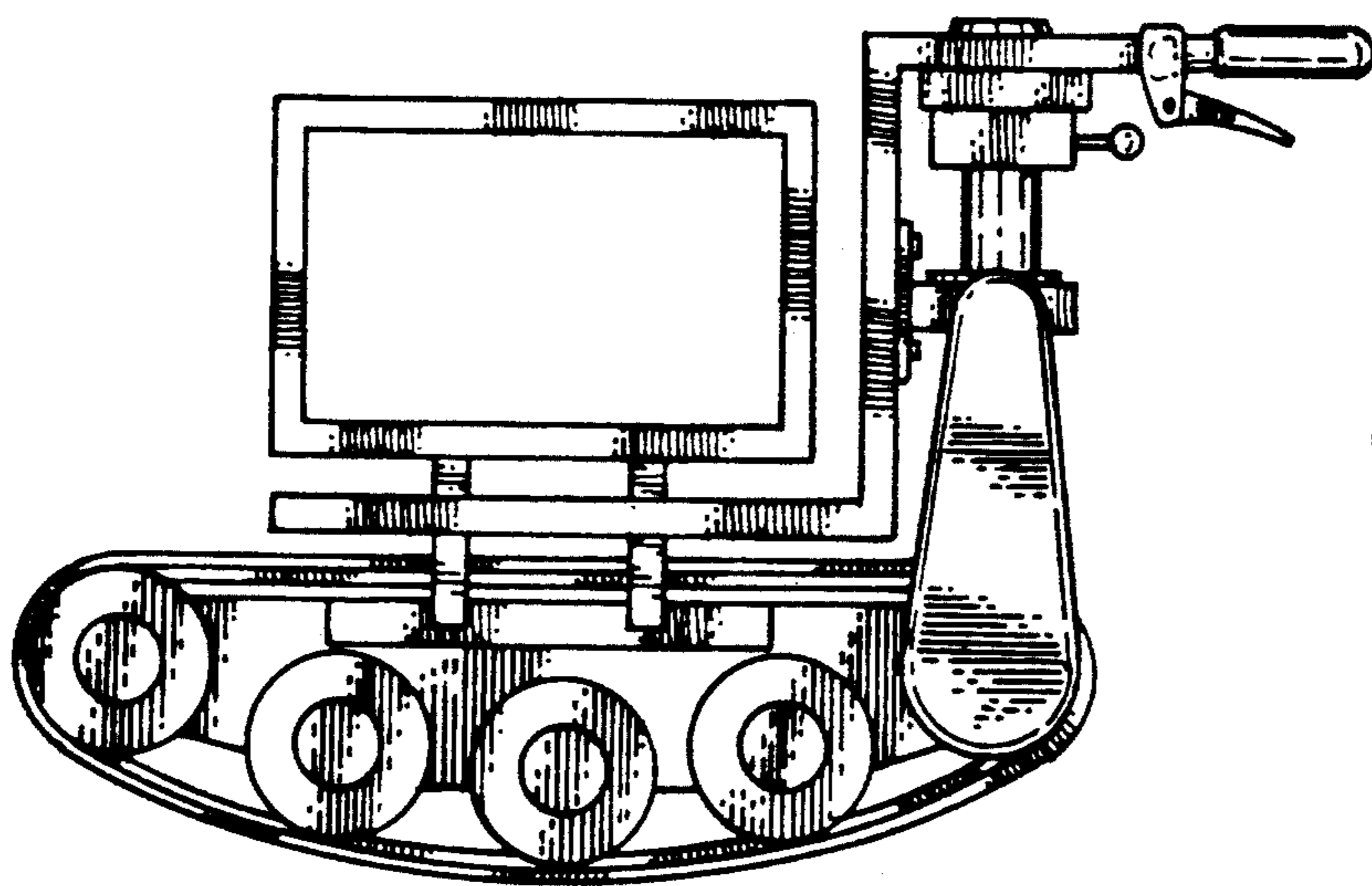


FIG. 5



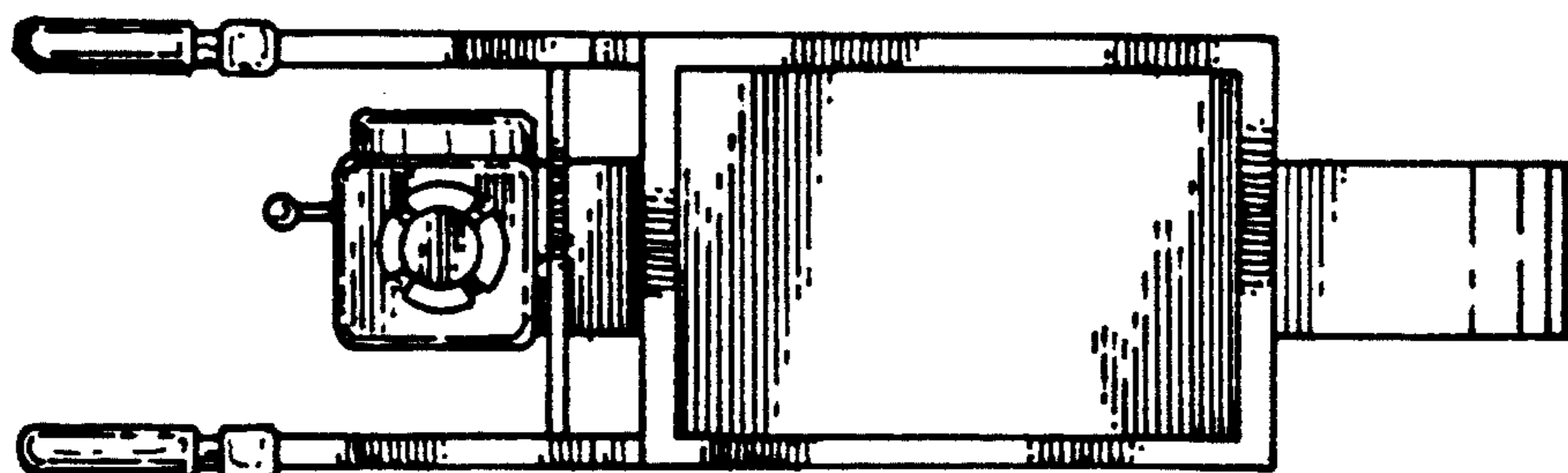


FIG. 6

FIG. 7

