



US00D348546S

United States Patent [19]

[11] Patent Number: **Des. 348,546**

Johnson

[45] Date of Patent: **** Jul. 5, 1994**

[54] **PLURAL DISCHARGE NIPPLE TYPE
POULTRY WATERING ASSEMBLY HAVING
AN ELONGATED SUPPORT BAR, HANGER,
AND CUP AND KEEPER**

[75] Inventor: **William H. Johnson**, Harrisonburg,
Va.

[73] Assignee: **Shenandoah Manufacturing Co., Inc.**,
Harrisonburg, Va.

[**] Term: **14 Years**

[21] Appl. No.: **713,334**

[22] Filed: **Jun. 11, 1991**

[52] U.S. Cl. **D30/132**

[58] Field of Search 251/349, 339, 145, 146;
137/454.2, 356, 883; 119/72, 72.5, 74-75, 52.1;
248/318; D30/131, 121, 132, 133

[56] **References Cited**

U.S. PATENT DOCUMENTS

5,136,982 8/1992 Steudler, Jr. 119/72

Primary Examiner—A. Hugo Word

Assistant Examiner—Cathy Anne MacCormac

Attorney, Agent, or Firm—Mason, Fenwick & Lawrence

[57] **CLAIM**

The ornamental design for a plural discharge nipple type poultry watering assembly having an elongated

support bar, hanger, and cup and keeper, as shown and described.

DESCRIPTION

FIG. 1 is a side elevational view of a plural discharge nipple type poultry watering assembly having an elongated support bar, hanger, and cup and keeper, showing my new design, the opposite side elevation being the mirror image thereof;

FIG. 2 is an end elevational view thereof viewed from the left of FIG. 1, the opposite end elevation being the mirror image thereof shown broken away for purposes of illustration;

FIG. 3 is a perspective view of a portion of the support bar;

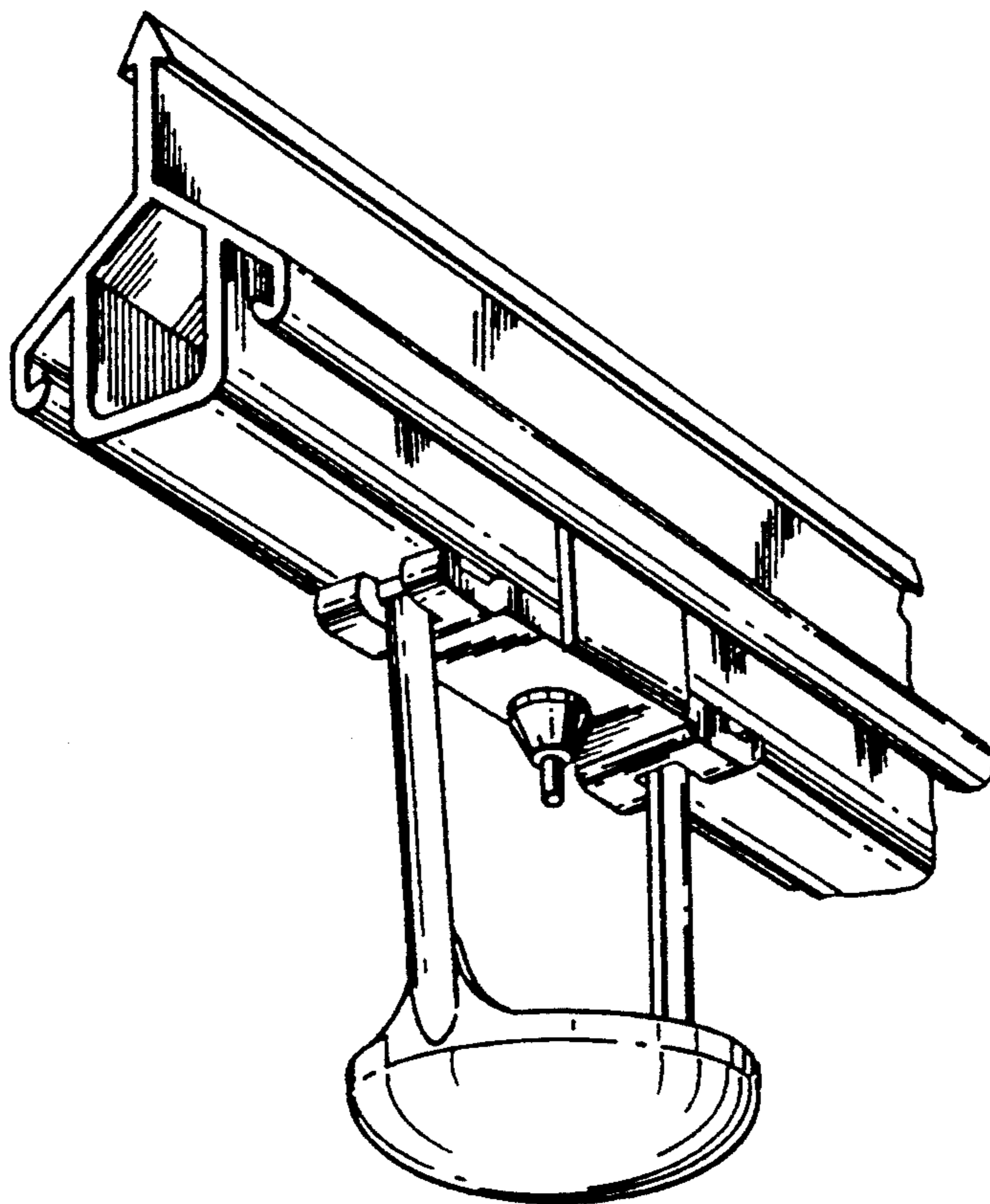
FIG. 4 is an end elevational view, to enlarged scale, of the hanger, viewed from the right of FIG. 1;

FIG. 5 is a vertical section view of the hanger, taken along the plane of the longitudinal center axis of the support bar at the same scale as FIG. 4;

FIG. 6 is a side elevational view of the keeper shown to enlarged scale, the opposite side elevation being the mirror image thereof;

FIG. 7 is a top plan view of the keeper at the same scale as FIG. 6; and,

FIG. 8 is a bottom perspective view of the plural discharge nipple type poultry watering assembly having an elongated support bar, hanger, and cup and keeper shown in FIG. 1.



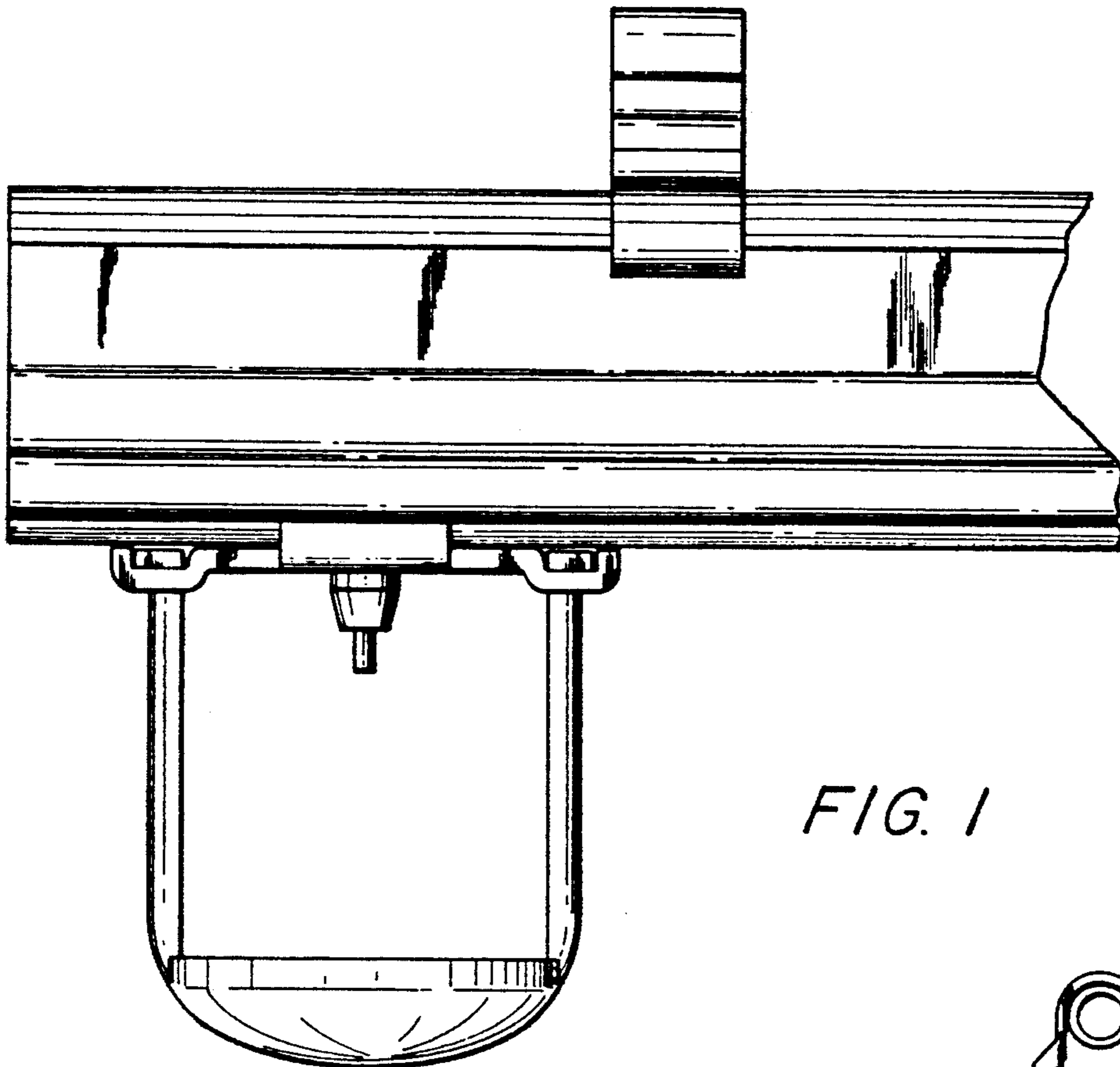


FIG. 1

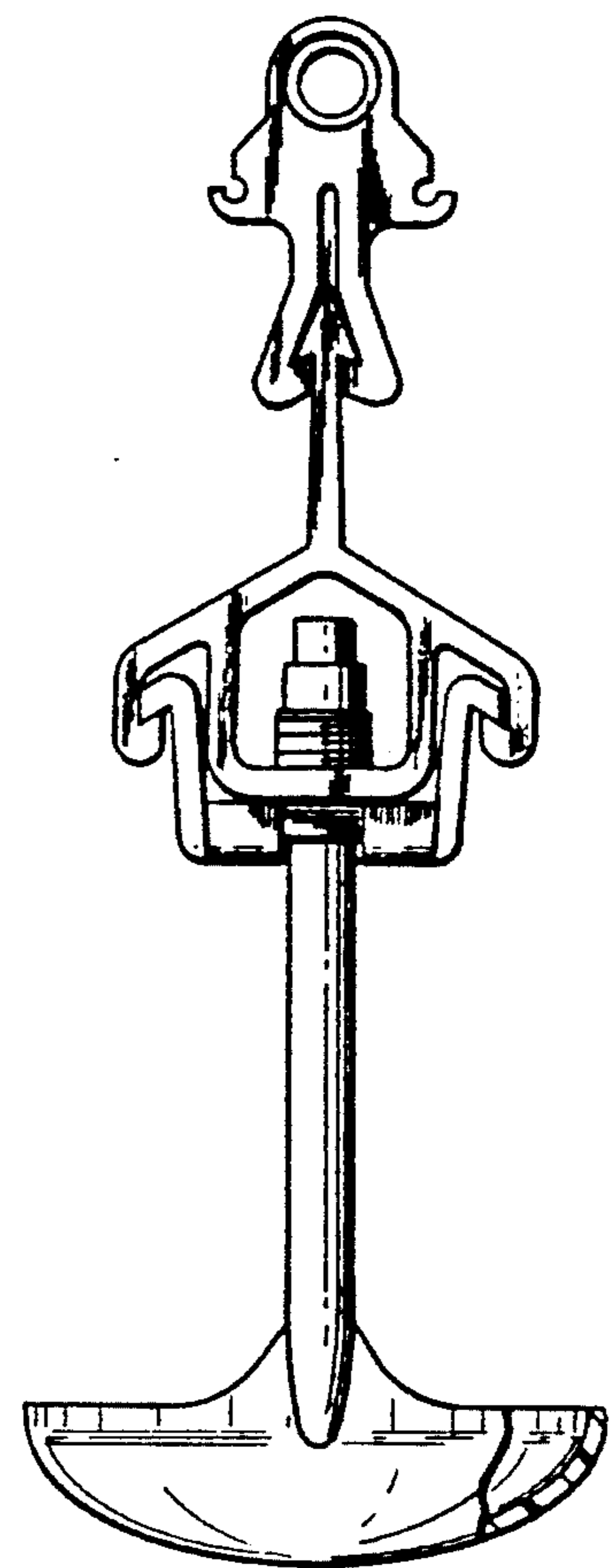


FIG. 2

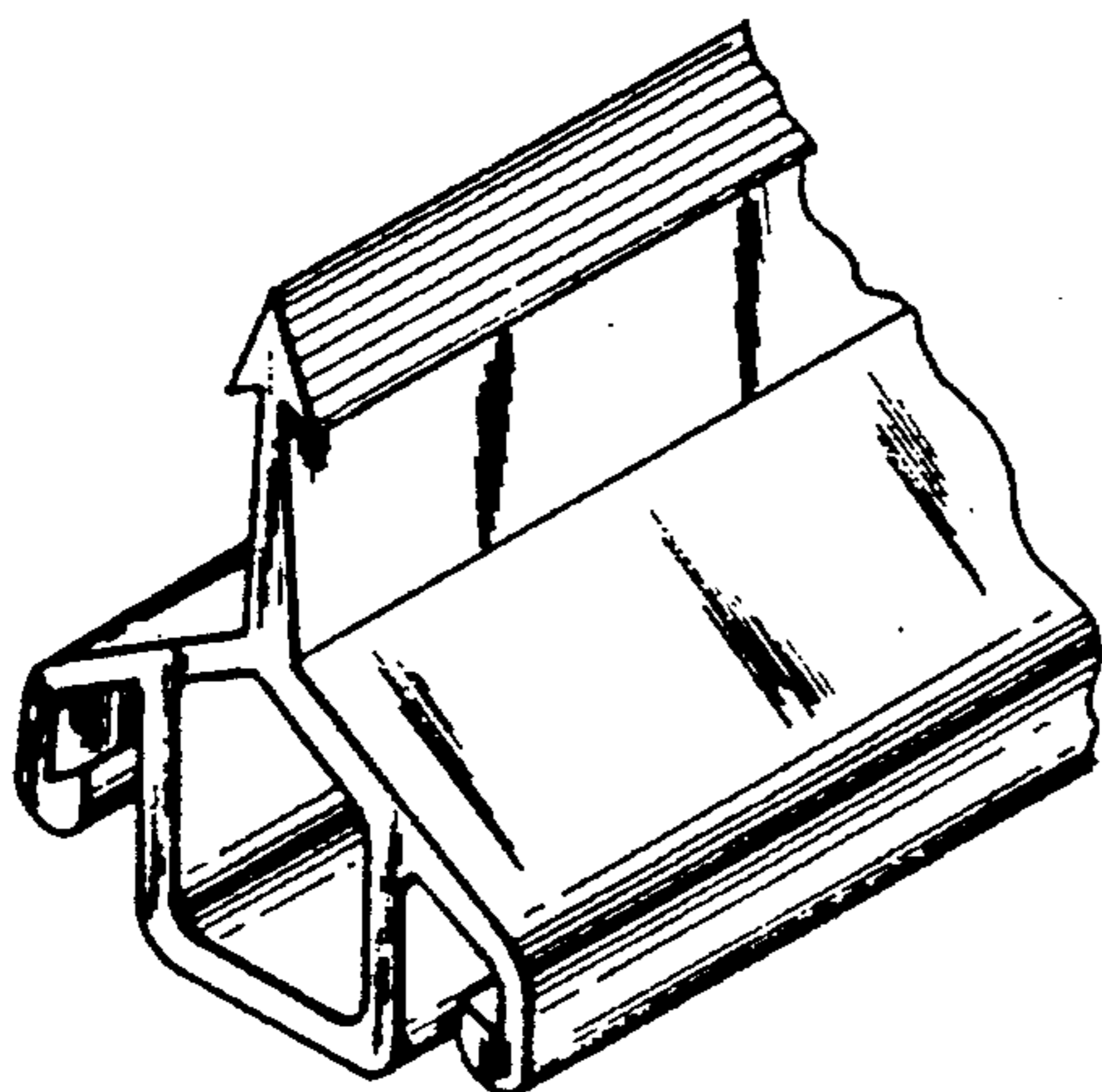


FIG. 3

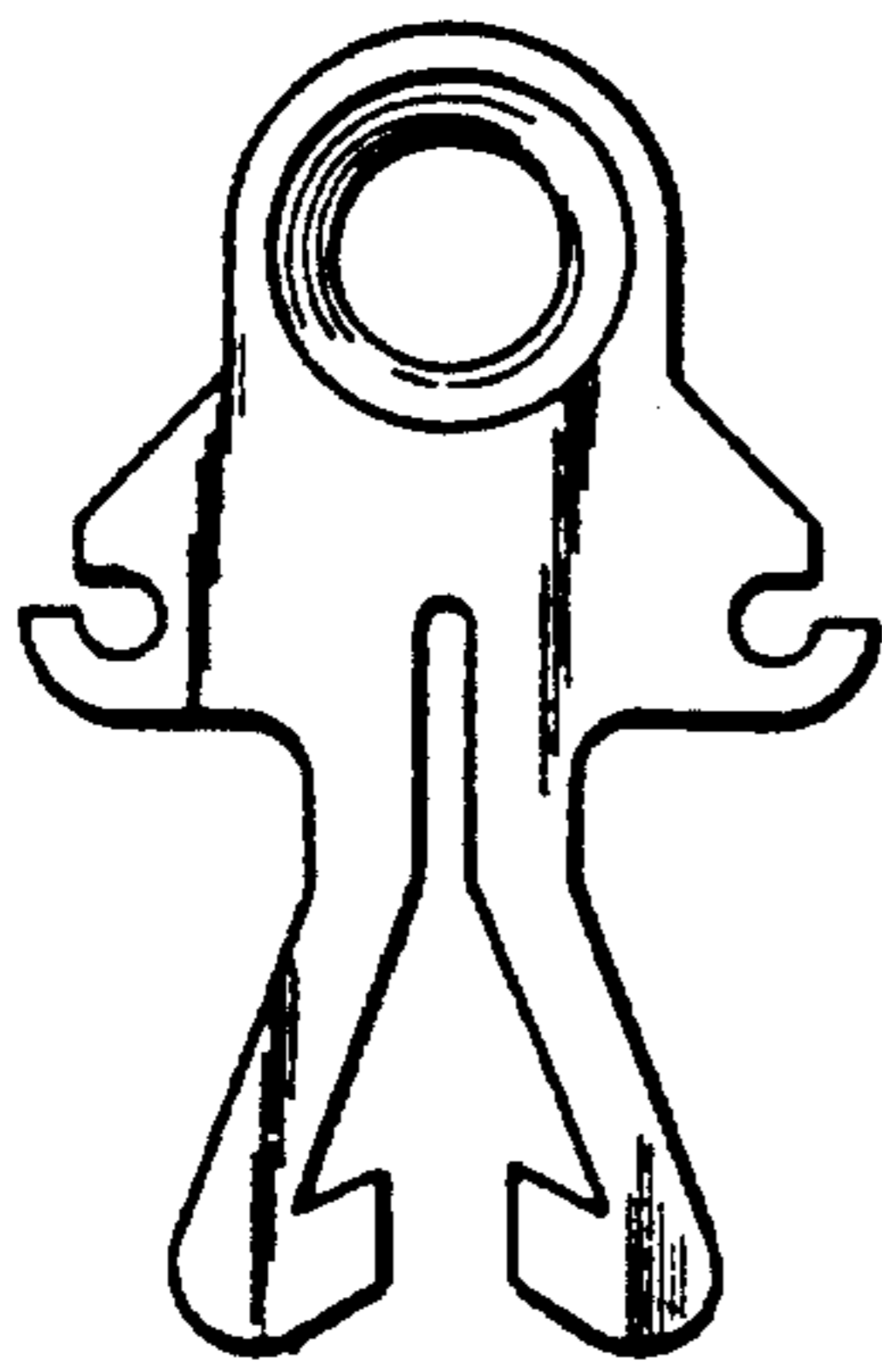


FIG. 4

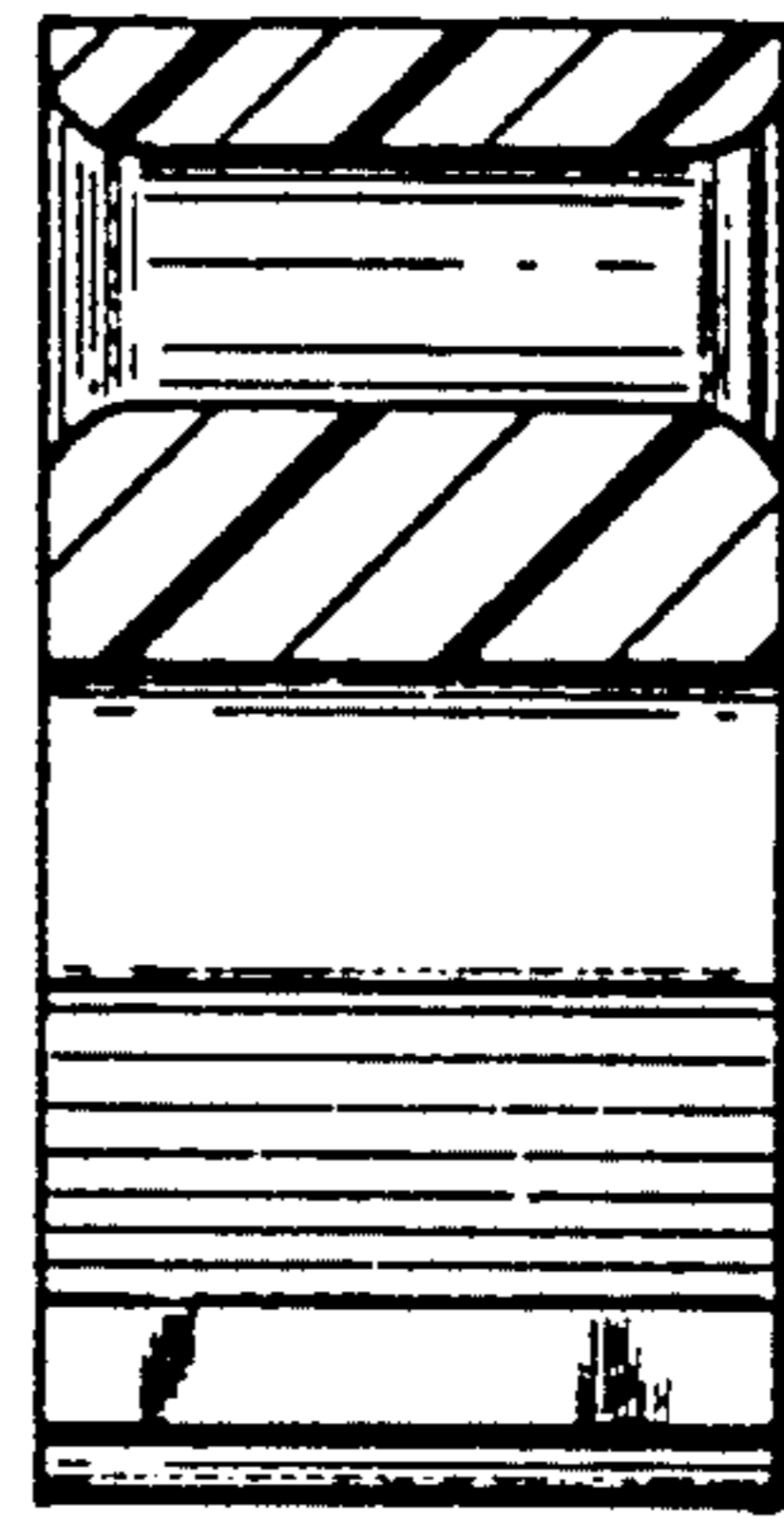


FIG. 5

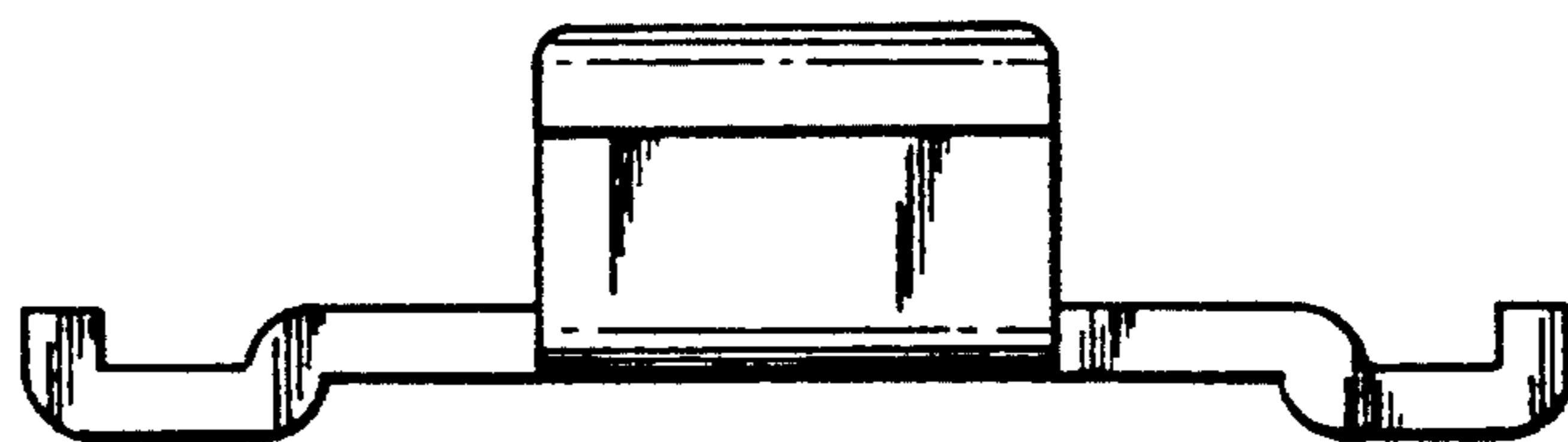


FIG. 6

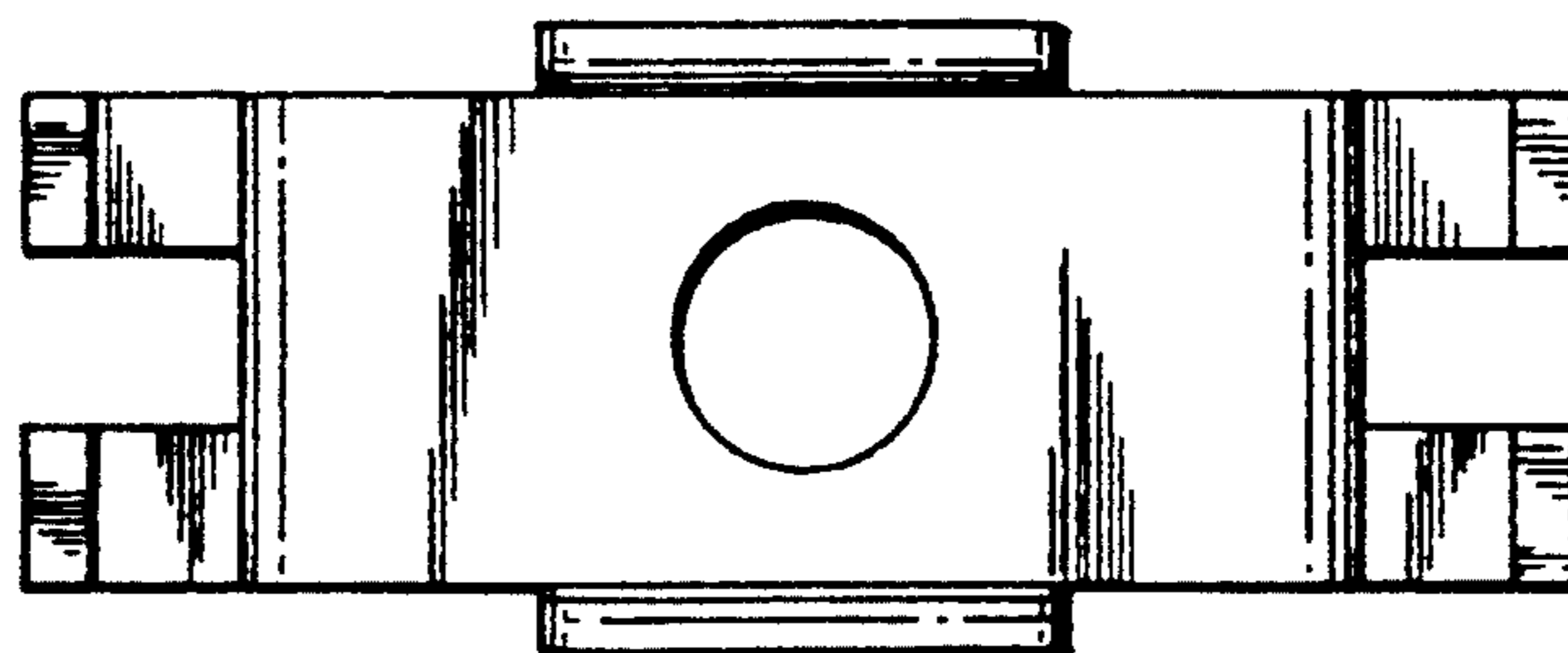


FIG. 7

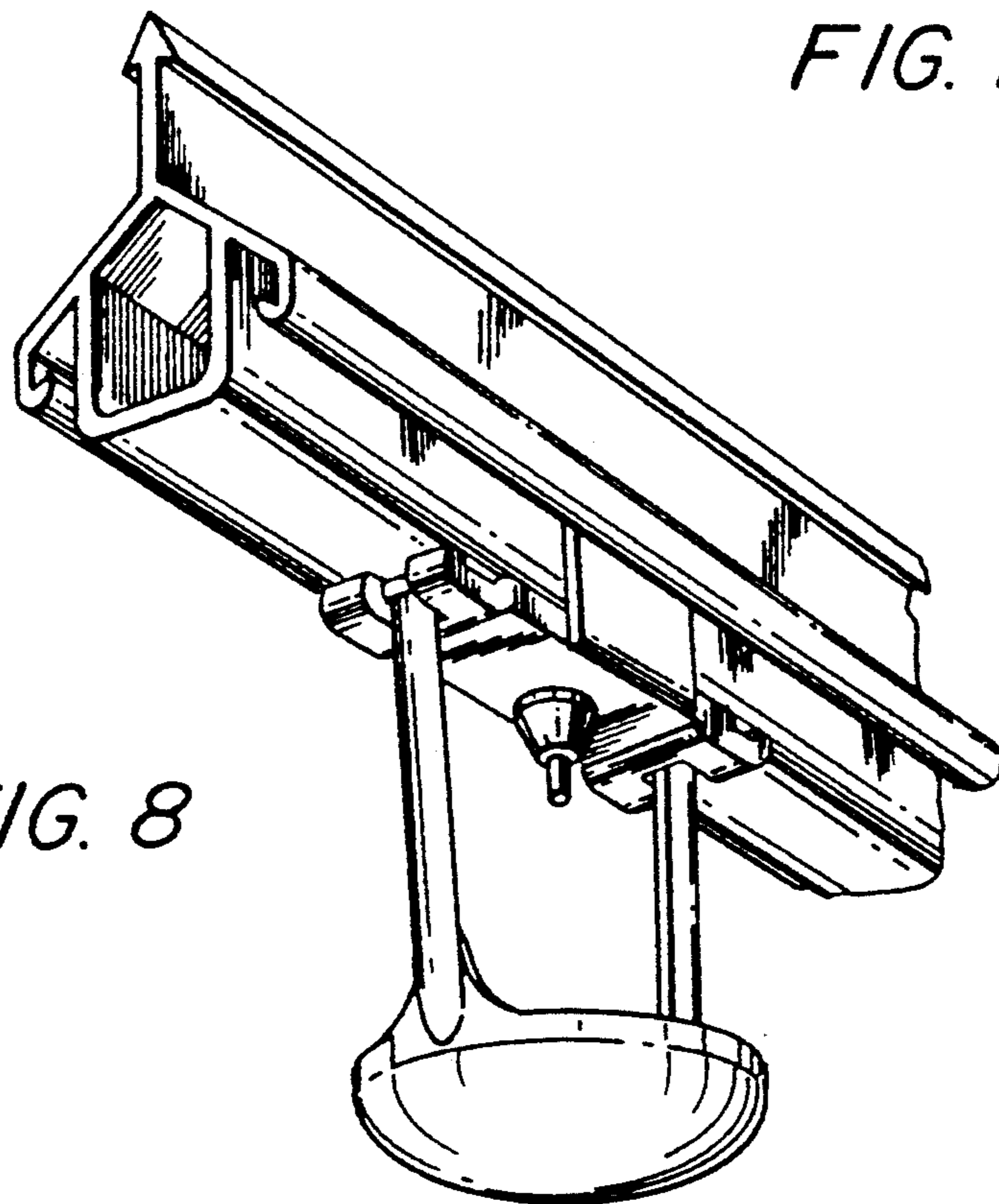


FIG. 8