



US00D348536S

United States Patent [19]

[11] Patent Number: **Des. 348,536**

Huang

[45] Date of Patent: **** Jul. 5, 1994**

[54] **DESK LAMP**

[76] Inventor: **H. T. Huang**, Sec. 2, Chung-Sun Road, Su-Lin Taipei, Taiwan

[**] Term: **14 Years**

[21] Appl. No.: **847**

[22] Filed: **Oct. 26, 1992**

[52] U.S. Cl. **D26/107; D26/61**

[58] Field of Search **362/410-414; D26/93, 102-112, 61, 63, 65**

[56] **References Cited**

U.S. PATENT DOCUMENTS

- D. 314,836 2/1991 Sonneman D26/108
- D. 326,533 5/1992 Cerbini D26/65

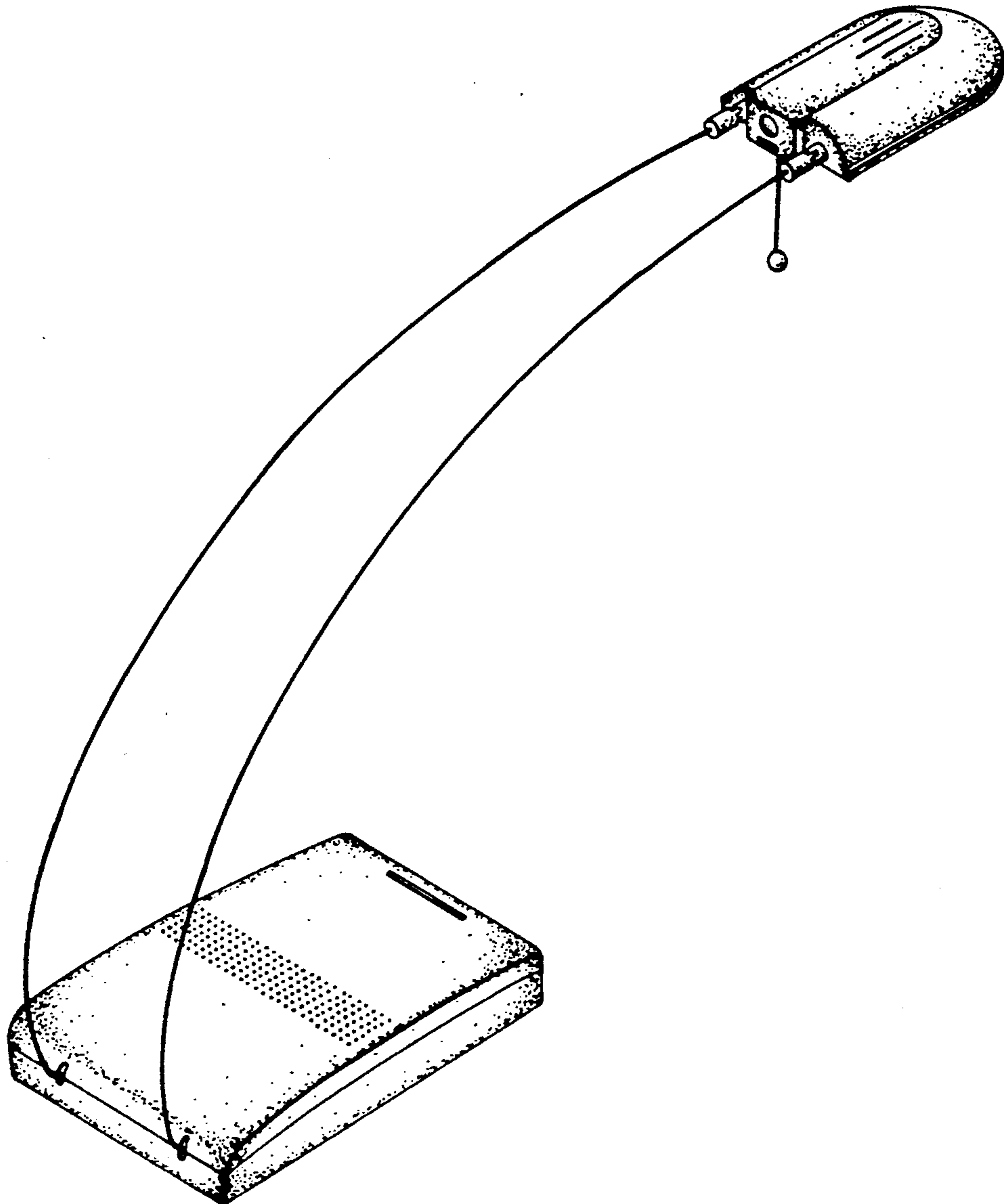
Primary Examiner—Susan J. Lucas
Attorney, Agent, or Firm—Bacon & Thomas

[57] **CLAIM**

The ornamental design for a desk lamp, as shown and described.

DESCRIPTION

FIG. 1 is a top, rear, right side perspective view of an desk lamp showing my new design;
 FIG. 2 is a front elevational view thereof;
 FIG. 3 is a rear elevational view thereof;
 FIG. 4 is a top plan view thereof;
 FIG. 5 is a right side elevational view thereof;
 FIG. 6 is a bottom plan view thereof; and,
 FIG. 7 is a left side elevational view thereof.



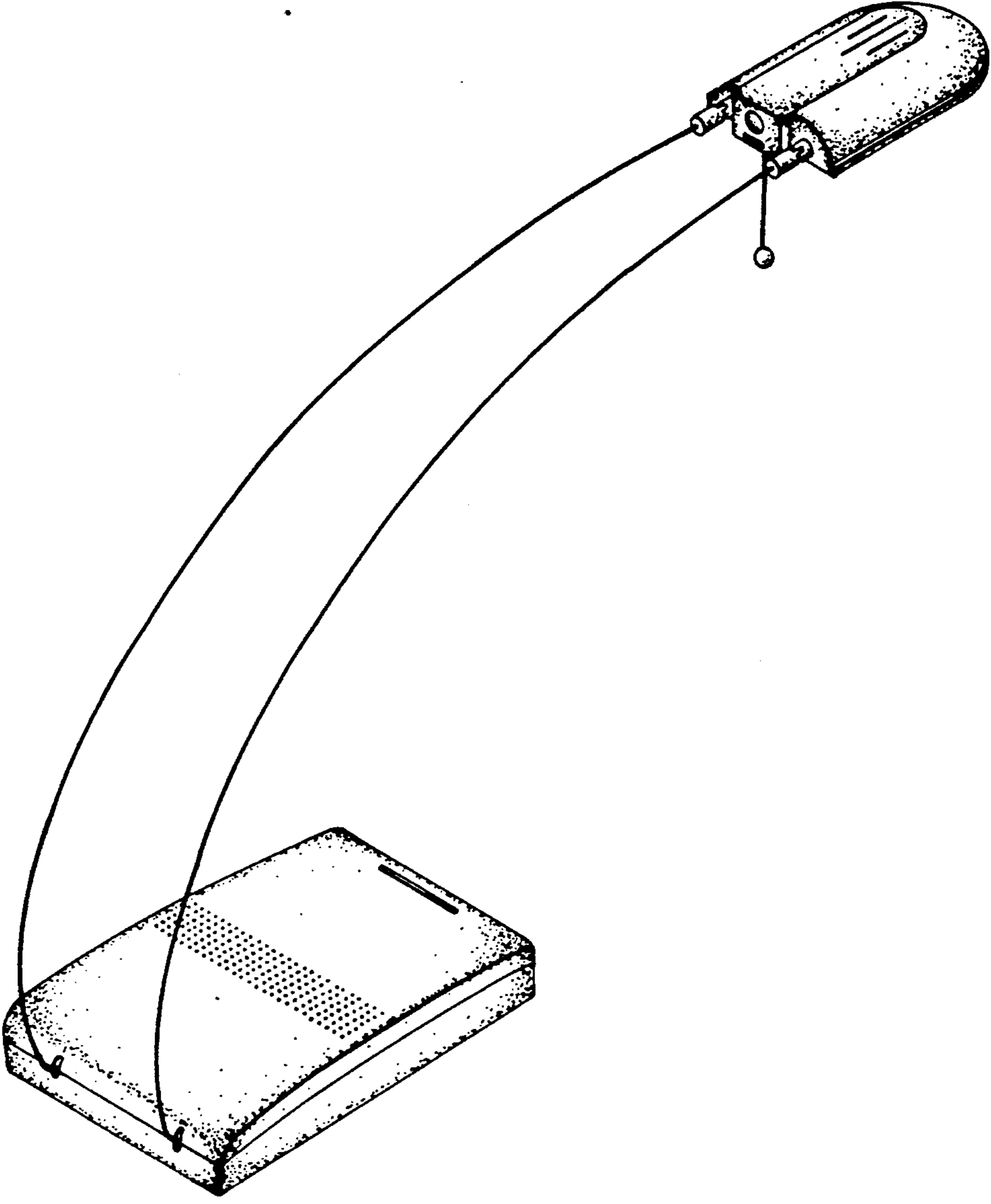


Fig. 1

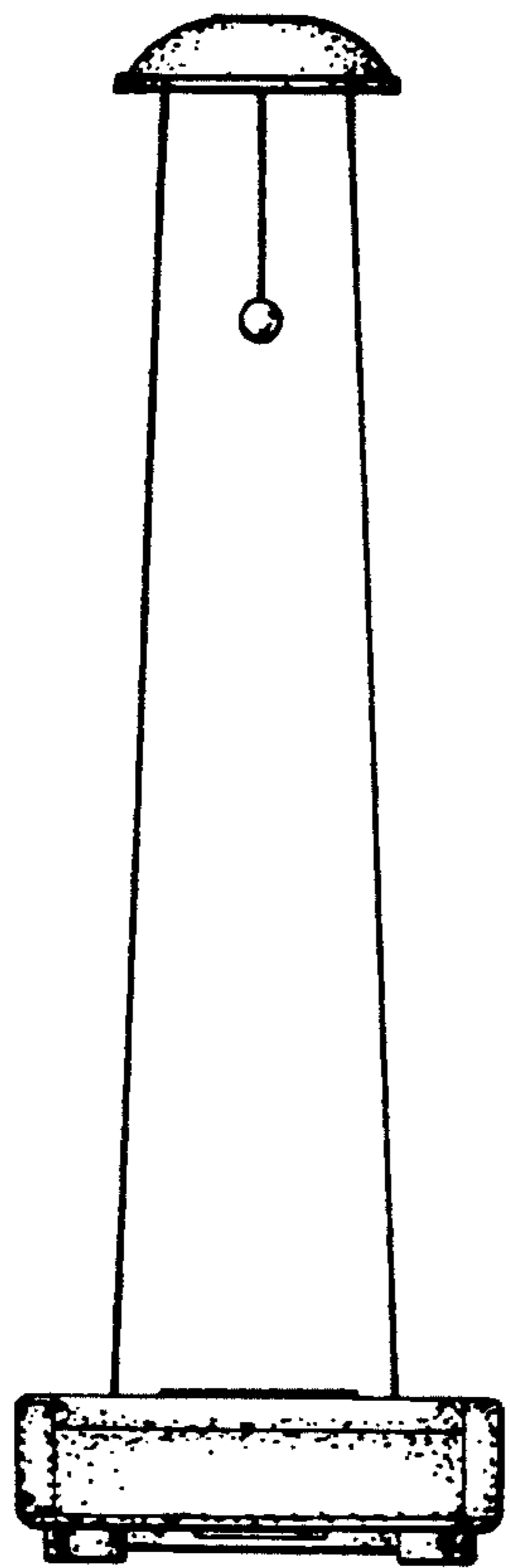


Fig. 2

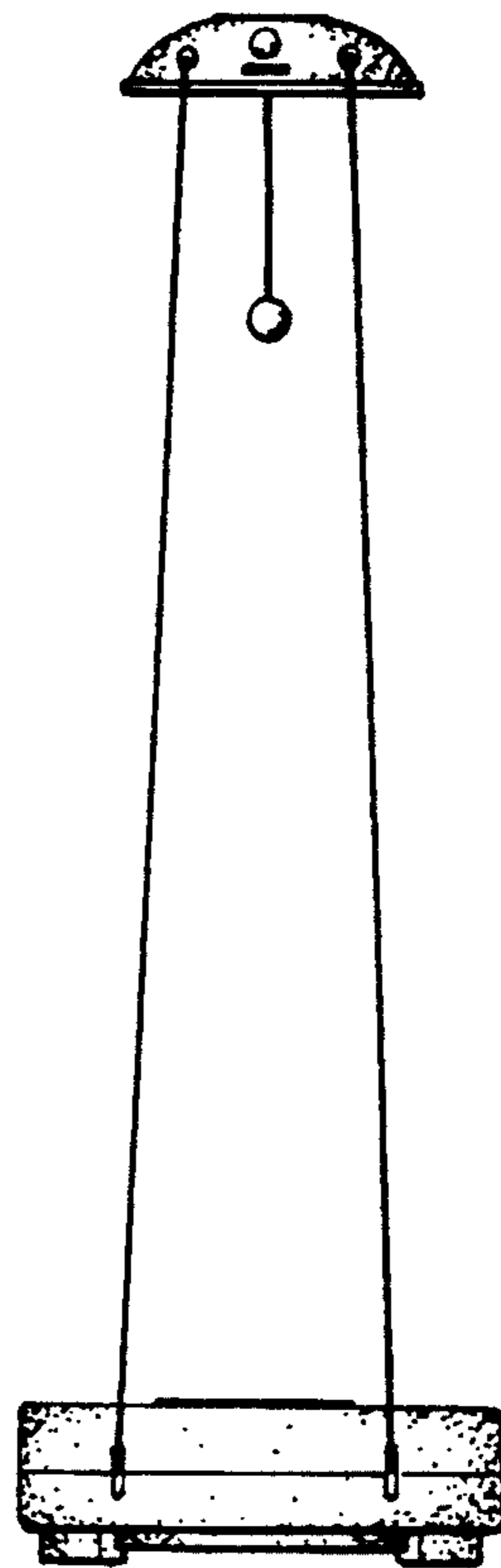


Fig. 3

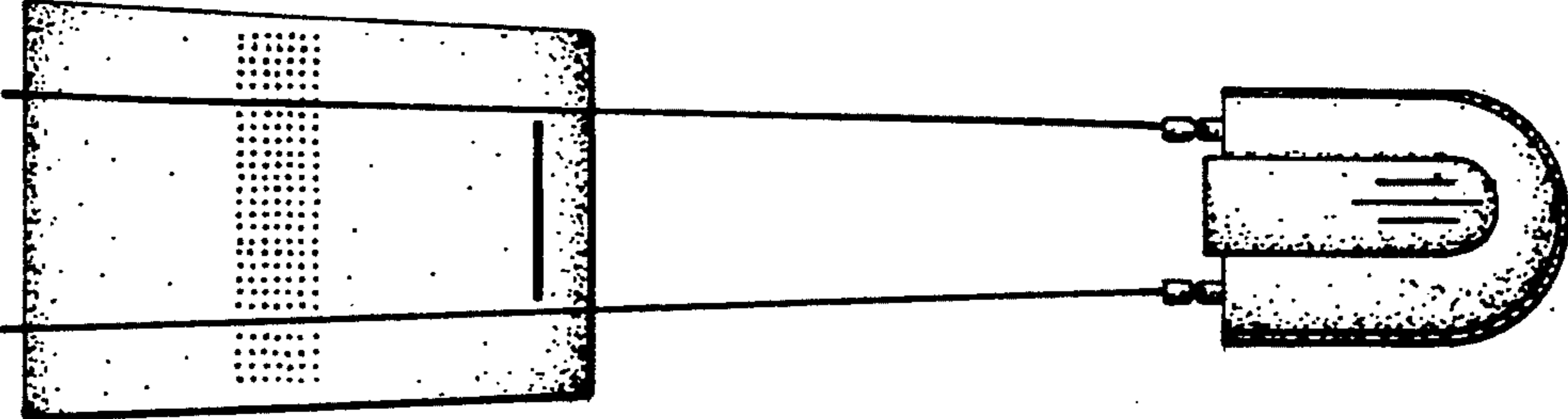


Fig. 4

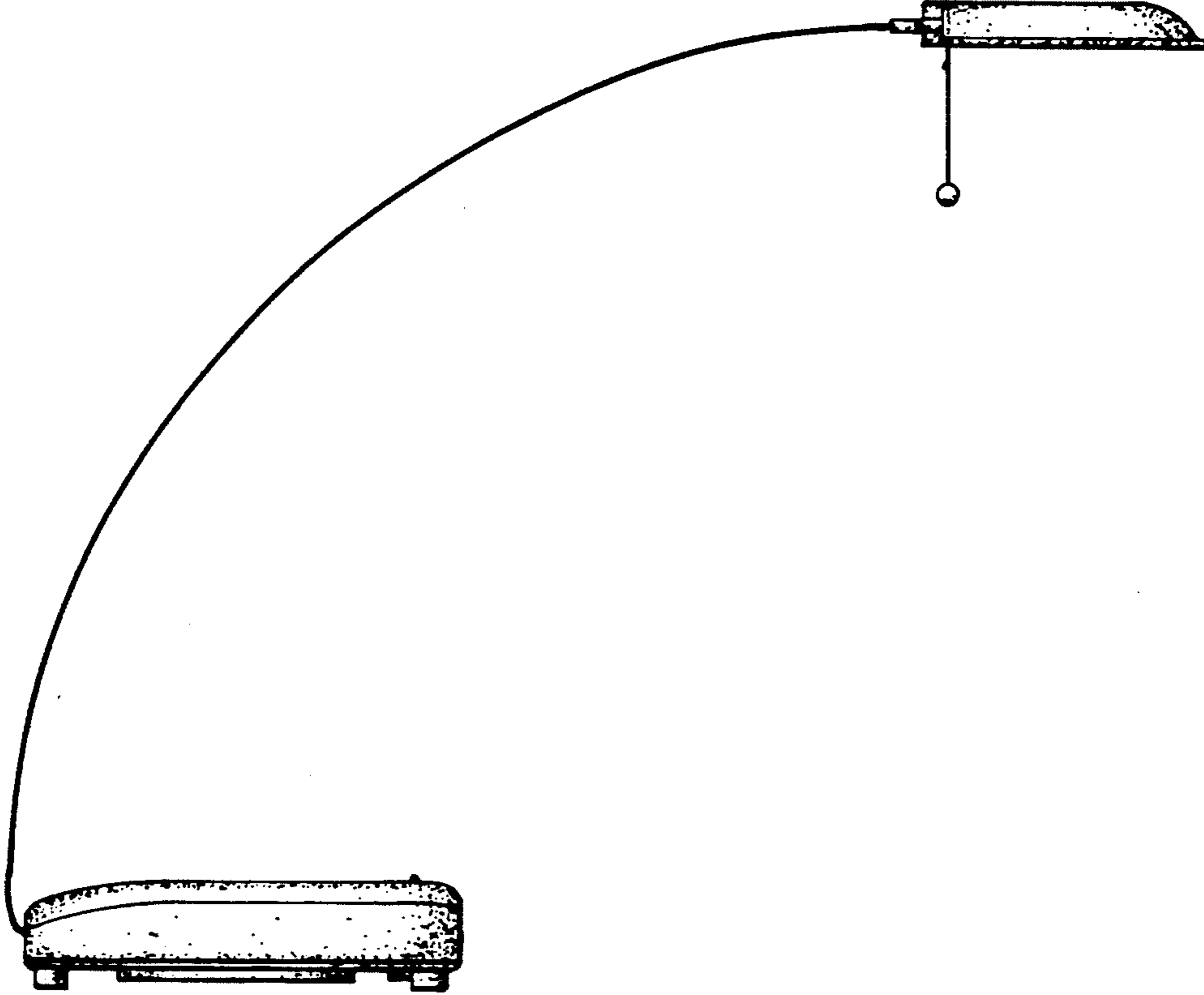


Fig. 5

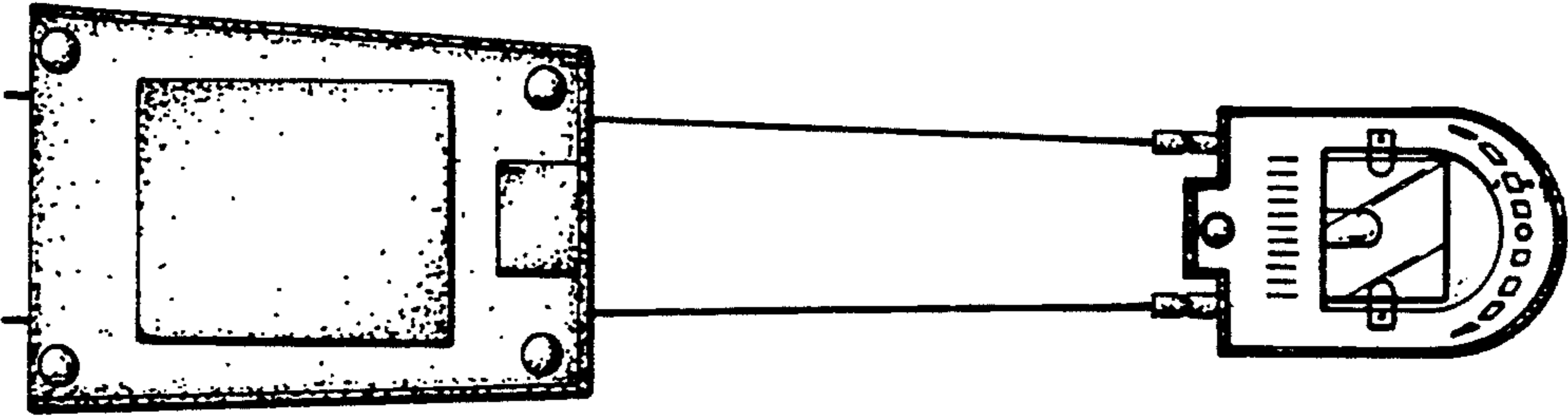


Fig. 6

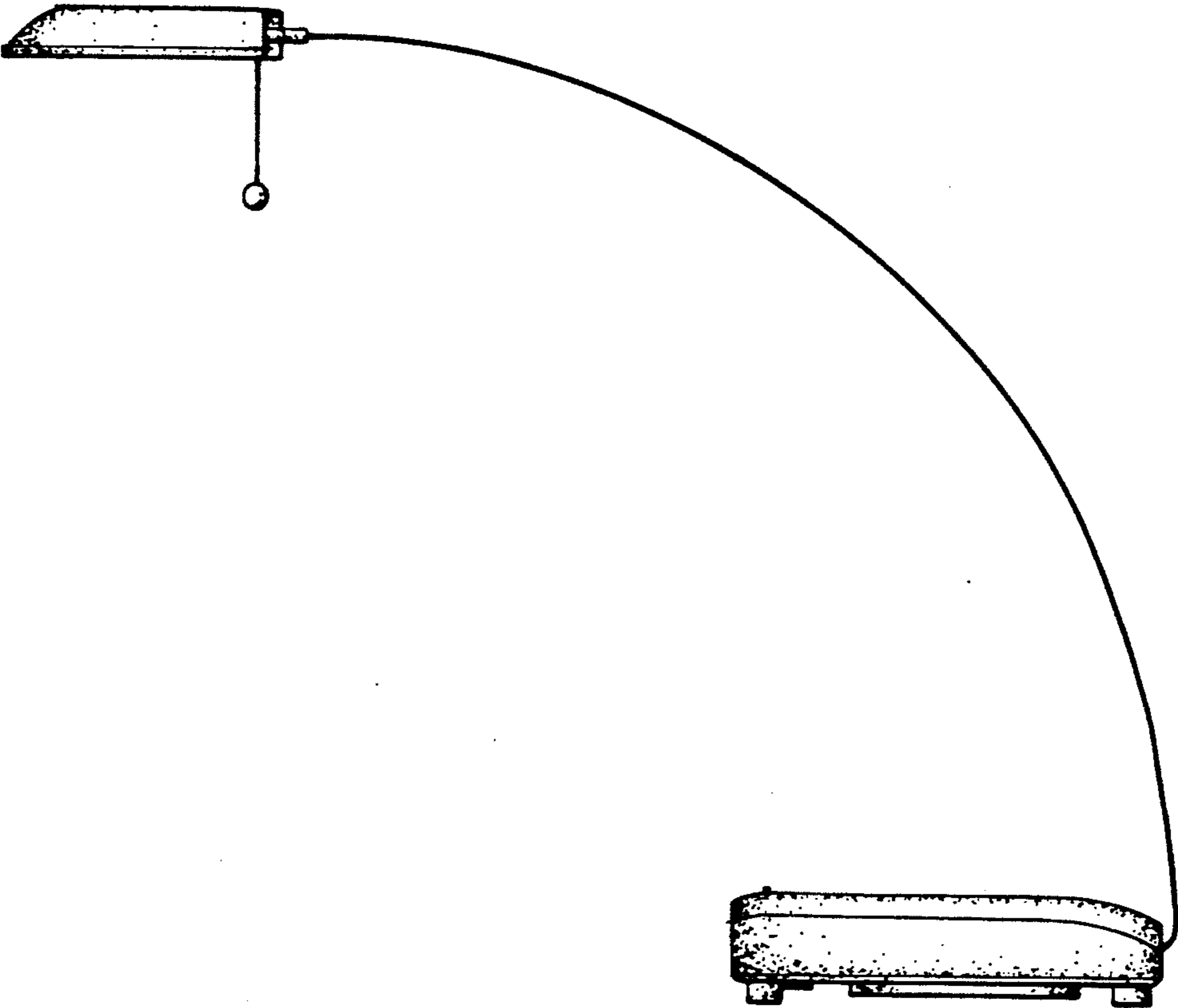


Fig. 7