



US00D348535S

United States Patent [19]

[11] Patent Number: **Des. 348,535**

Burnett

[45] Date of Patent: **** Jul. 5, 1994**

[54] **ILLUMINATED RISING BUBBLE DISPLAY**

[75] Inventor: **Kenneth Burnett**, Lincolnwood, Ill.

[73] Assignee: **Midwest Tropical, Inc.**,
Lincolnwood, Ill.

[**] Term: **14 Years**

[21] Appl. No.: **880,329**

[22] Filed: **May 6, 1992**

[52] U.S. Cl. **D26/93; D20/10;**
D16/106

[58] Field of Search **362/410-414;**
40/406, 407; D26/93, 102-112; D20/10

[56] **References Cited**

U.S. PATENT DOCUMENTS

- 1,926,240 9/1933 Maas .
- 2,638,261 5/1953 Poole .
- 3,101,564 8/1963 Stoessel .
- 3,332,433 7/1967 Edmondson .
- 3,355,056 11/1967 Fisch .
- 3,711,698 1/1973 Hess .
- 3,749,424 7/1973 Greene .
- 3,762,082 10/1973 Mincy .
- 3,964,194 6/1976 Gugeler 362/964 X
- 4,190,312 2/1980 Bailey .
- 4,208,848 6/1980 Kohl .
- 4,352,149 9/1982 Stetler 362/96
- 4,498,692 2/1985 Swanson .
- 4,900,068 2/1990 Law .
- 4,939,859 7/1990 Bradt 40/406

- 4,974,127 11/1990 Foley 362/96
- 4,974,127 11/1990 Foley .
- 5,018,288 5/1991 Yang .
- 5,037,140 8/1991 Anderson .
- 5,106,660 4/1992 Vorel .

FOREIGN PATENT DOCUMENTS

2393-385 2/1979 France .

OTHER PUBLICATIONS

Sales Brochure "Aquatic Concepts" Midwest Tropical, Inc., Lincolnwood, Ill., 1991.

Sales Brochure "Aquatic Concepts Water Panel II", Midwest Tropical, Inc., Lincolnwood, Ill. 1992.

Primary Examiner—Susan J. Lucas

Attorney, Agent, or Firm—Willian Brinks Hofer Gilson & Lione

[57] **CLAIM**

The ornamental design for an illuminated rising bubble display, as shown and described.

DESCRIPTION

FIG. 1 is a front right perspective view of an illuminated rising bubble display that incorporates my new design; and,

FIG. 2 is a front view thereof;

FIG. 3 is a right side elevational view thereof;

FIG. 4 is a left side elevational view thereof;

FIG. 5 is a top view thereof; and,

FIG. 6 is a bottom view thereof.

The rear view of my new design is identical to FIG. 2.

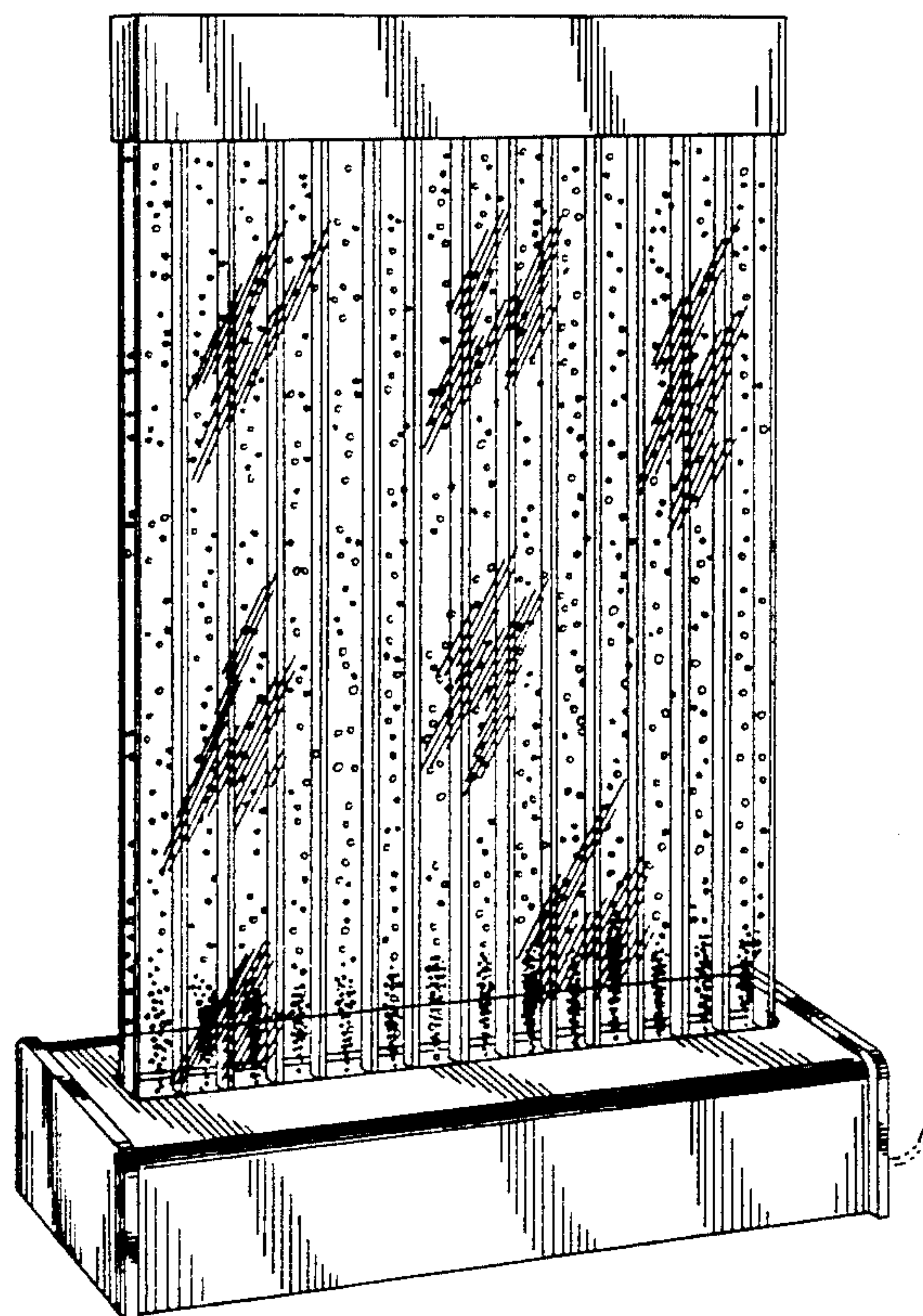


FIG. 1

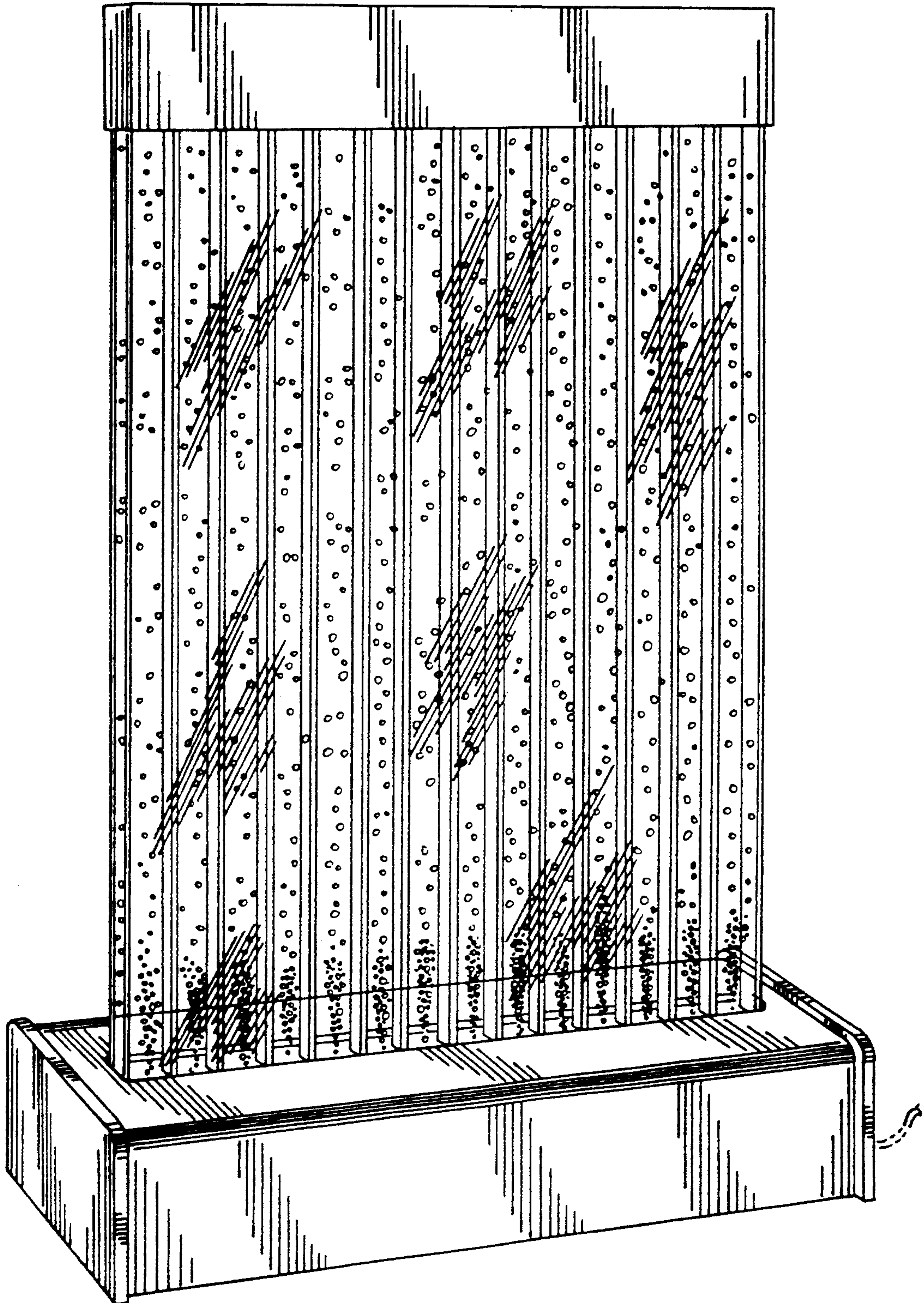


FIG. 2

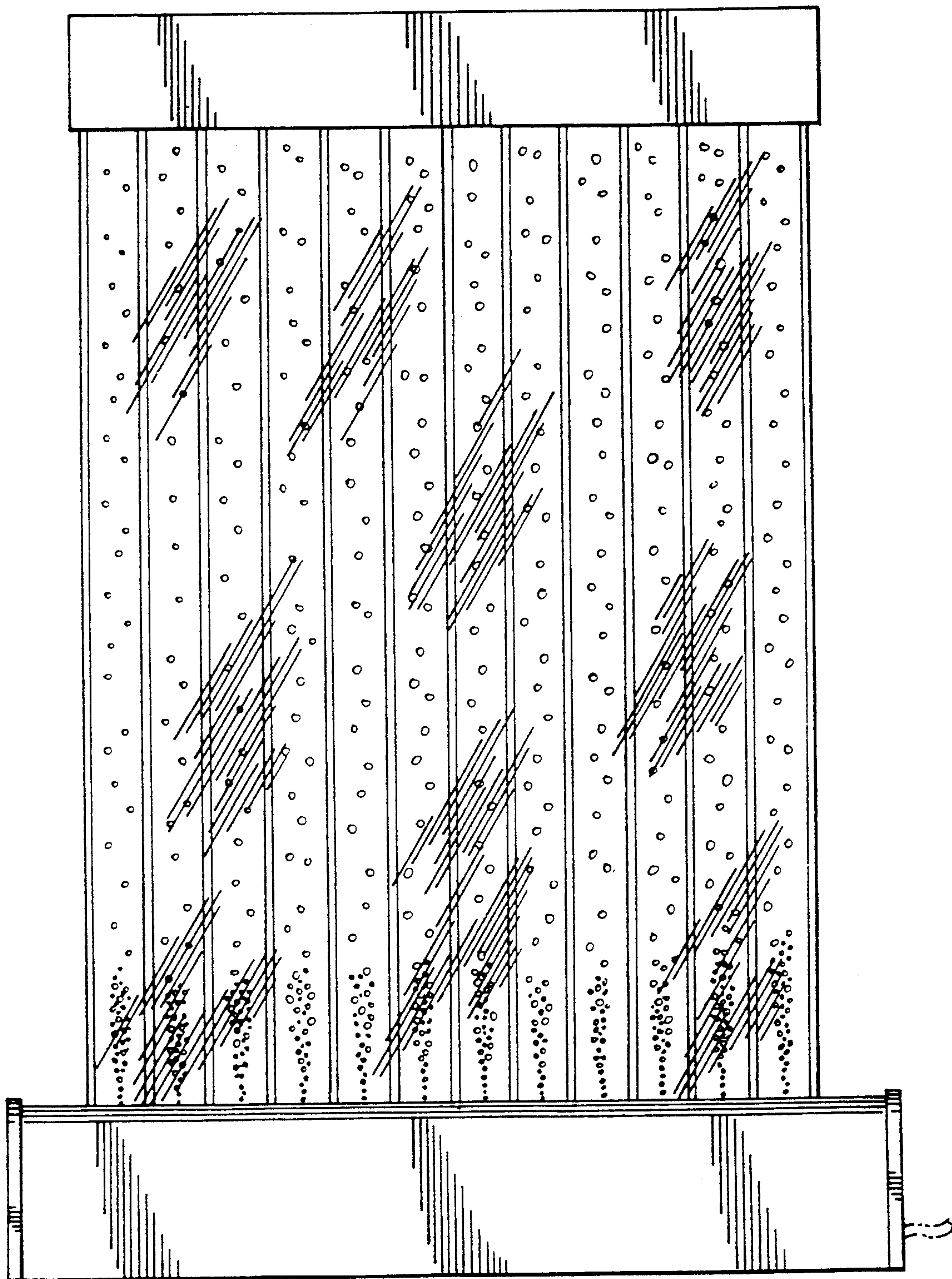


FIG. 3

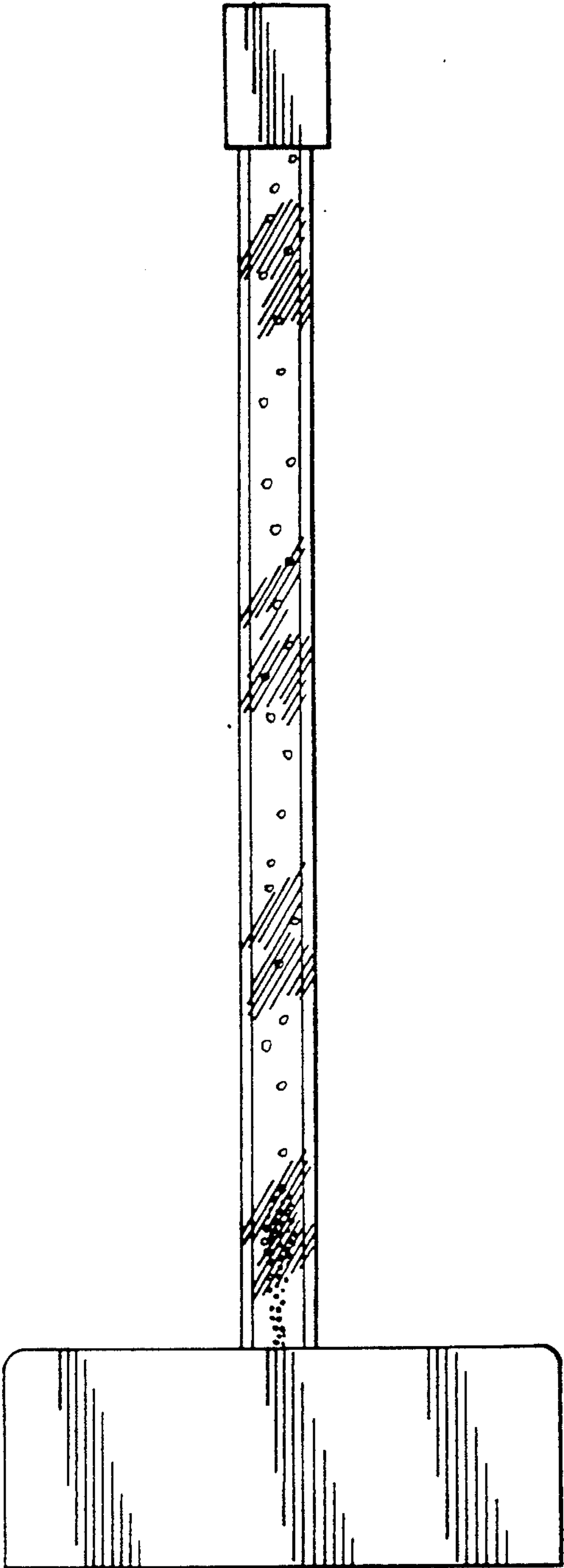


FIG. 4

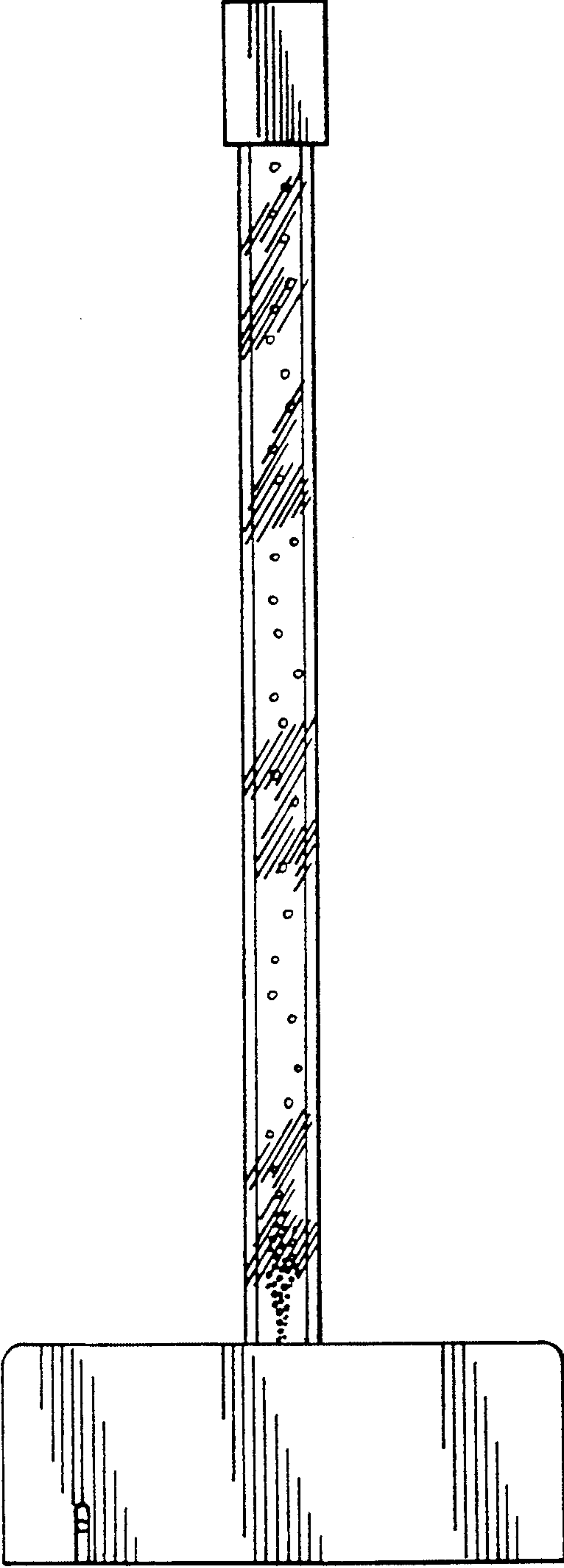


FIG. 5

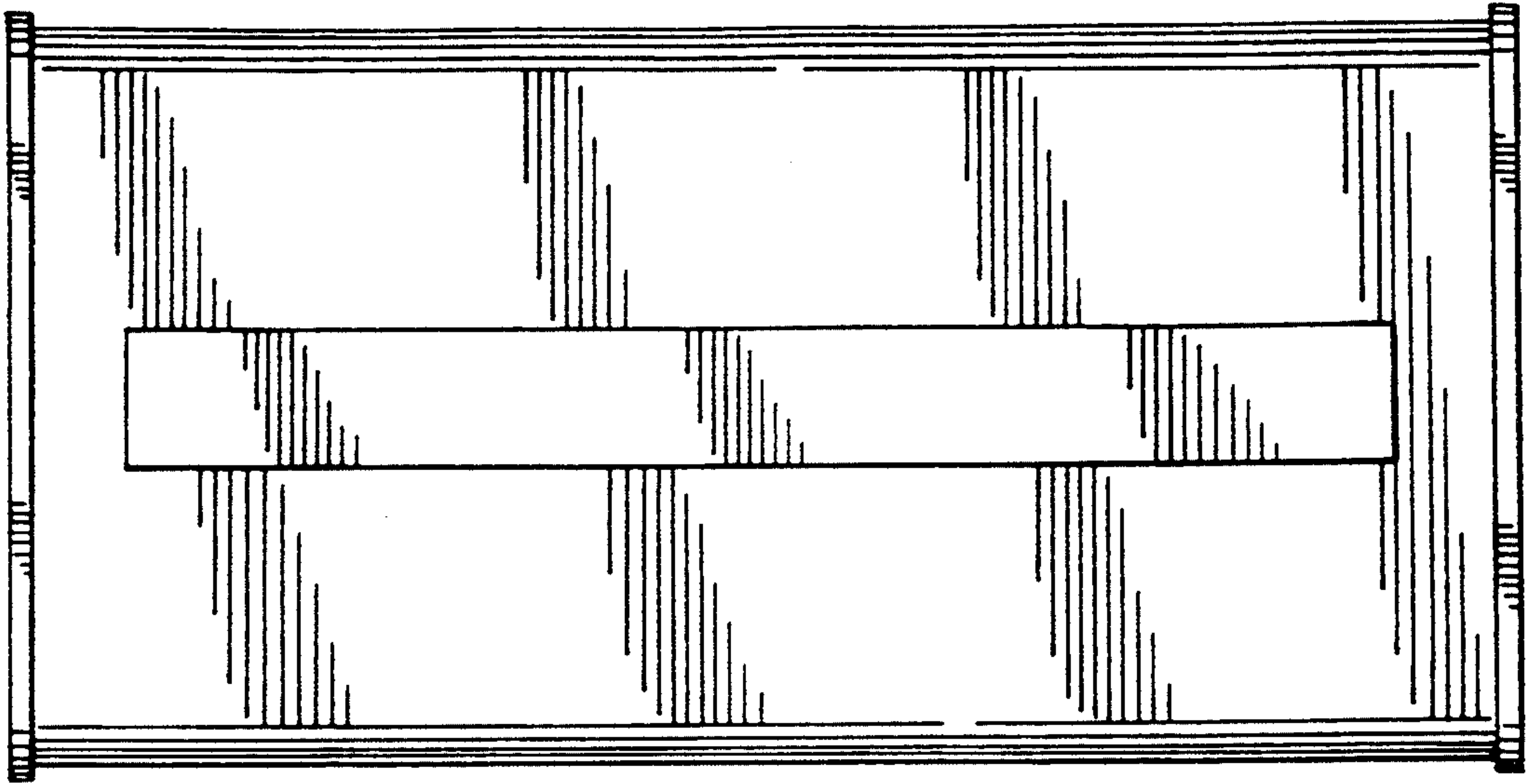


FIG. 6

