



US00D348534S

United States Patent [19]

[11] Patent Number: Des. 348,534

Herst et al.

[45] Date of Patent: ** Jul. 5, 1994

[54] INDIRECT LIGHTING FIXTURE

[75] Inventors: Douglas J. Herst, Ross; Utkan Salman, Emeryville, both of Calif.

[73] Assignee: Peerless Lighting Corporation, Berkeley, Calif.

[**] Term: 14 Years

[21] Appl. No.: 11,394

[22] Filed: Aug. 3, 1993

Related U.S. Application Data

[60] This is continuation-in-part of Ser. No. 260,358, Oct. 20, 1988, Pat. No. Des. 311,967 which is a continuation-in-part of Ser. No. 502,663, Apr. 2, 1990, now abandoned, which is a continuation-in-part of 555,146, Jul. 19, 1990, now abandoned, which is a division of Ser. No. 588,971, Sep. 27, 1990, Pat. No. Des. 341,439.

[52] U.S. Cl. D26/85; D26/76

[58] Field of Search 362/216, 217, 220, 222, 362/223, 224, 147, 362; D26/72, 74-92

[56] References Cited

U.S. PATENT DOCUMENTS

D. 185,410	6/1959	Bodian	D26/76
D. 192,607	4/1962	Cooke	D26/76
D. 208,572	9/1967	Wakefield	D26/76
D. 311,967	11/1990	Herst et al.	D26/76 X
2,291,488	7/1942	Naysmith	362/222
2,631,225	3/1953	Gadomski	D26/78 X
3,064,851	11/1962	Guigli	362/223 X
4,493,013	1/1985	Hawkins	362/362 X
4,667,275	5/1987	Herst et al.	362/223

OTHER PUBLICATIONS

Architectural Forum, May, 1958, p. 180, Fluorescent Lighting Fixture.

Thomas Industries, Inc., Low Profile Fluorescent Fixture Brochure, 1984, p. 1, Ceiling Fixture.

Primary Examiner—Susan J. Lucas
Attorney, Agent, or Firm—Donald L. Beeson

[57] CLAIM

The ornamental design for an indirect lighting fixture, as shown and described.

DESCRIPTION

FIG. 1 is a front perspective view of an indirect lighting fixture showing our new design;

FIG. 2 is a right side elevational view thereof on an enlarged scale, the left side being a mirror image thereof;

FIG. 3 is a front elevational view thereof, the rear elevational view being a mirror image thereof;

FIG. 4 is a bottom plan view thereof;

FIG. 5 is a top plan view thereof;

FIG. 6 is a front perspective view of a second embodiment of our new design;

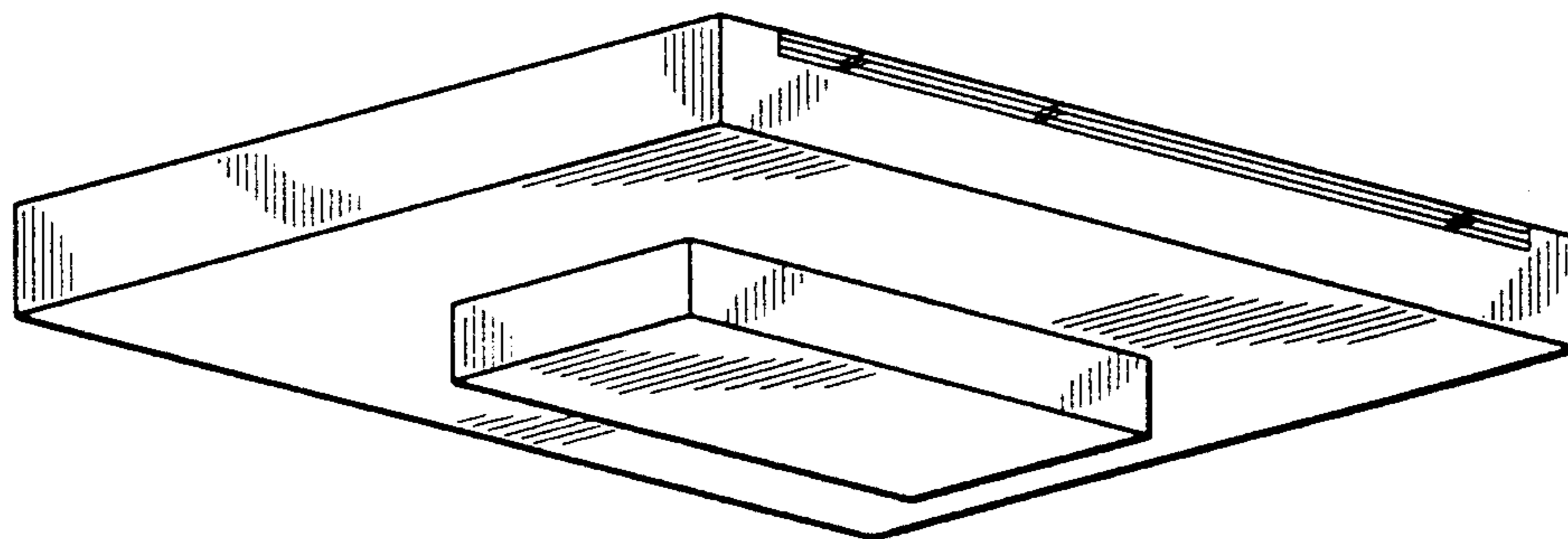
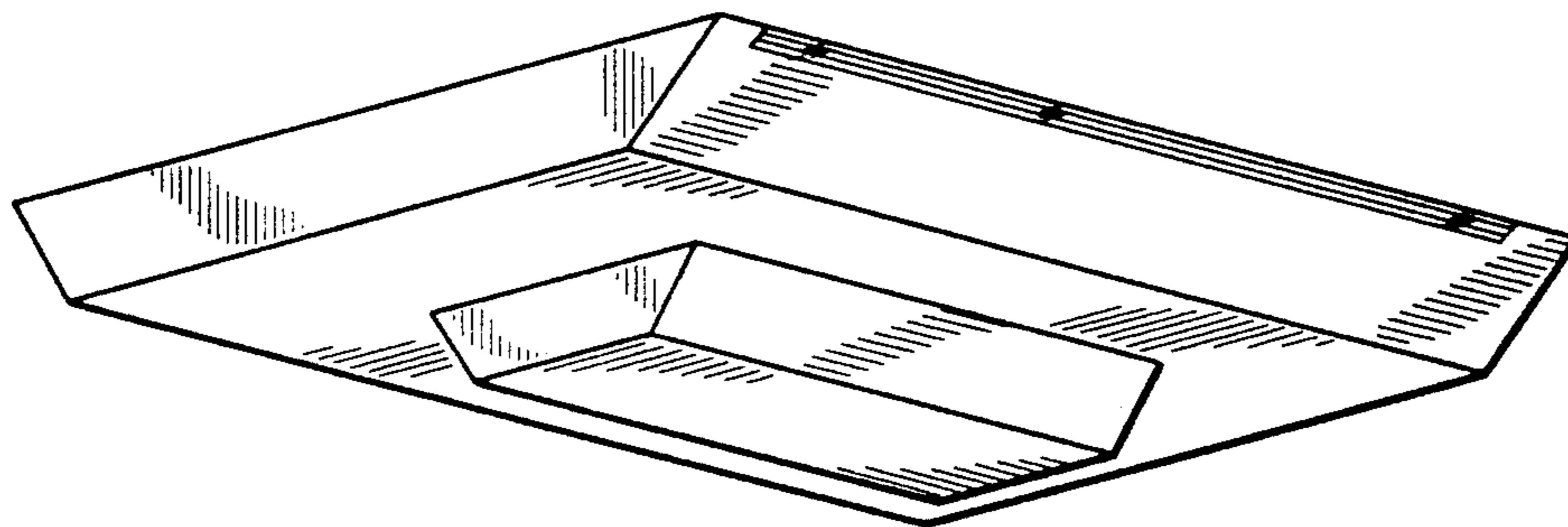
FIG. 7 is a right side elevational view thereof on an enlarged scale, the left side being a mirror image thereof;

FIG. 8 is a front elevational view thereof, the rear elevational view being a mirror image thereof;

FIG. 9 is a bottom plan view thereof; and,

FIG. 10 is a top plan view thereof.

The broken line showing of lamps in the top plan views of the illustrated embodiments of the invention is for illustrative purposes only and forms no part of the claimed design.



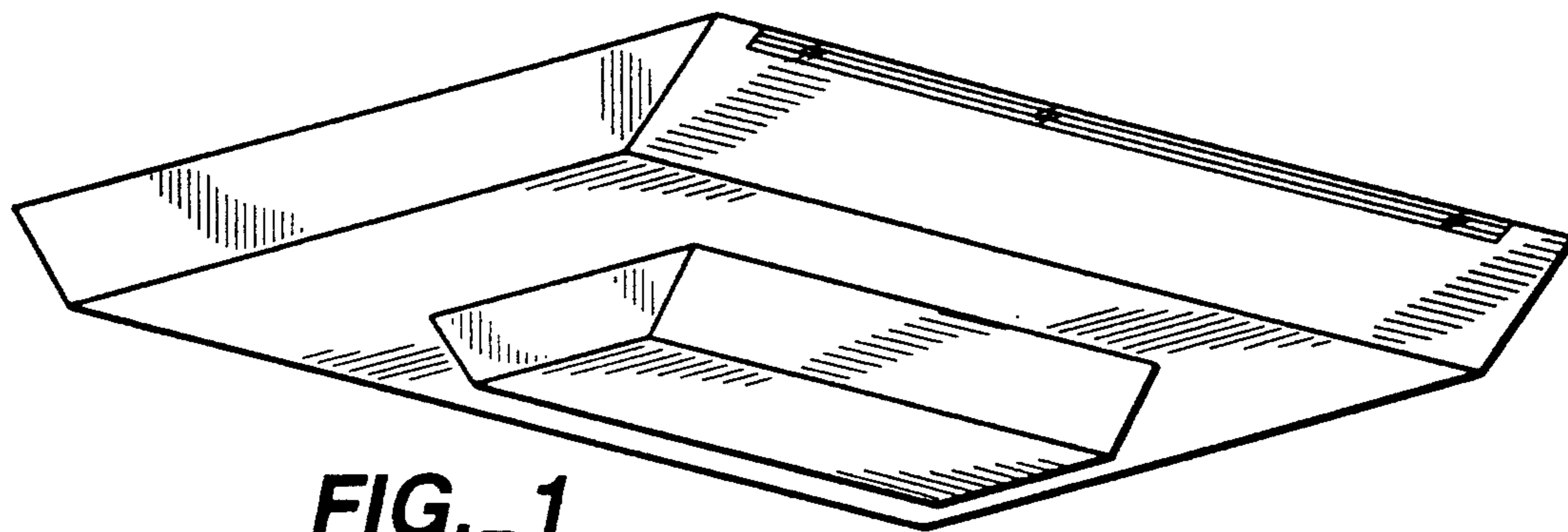


FIG._1

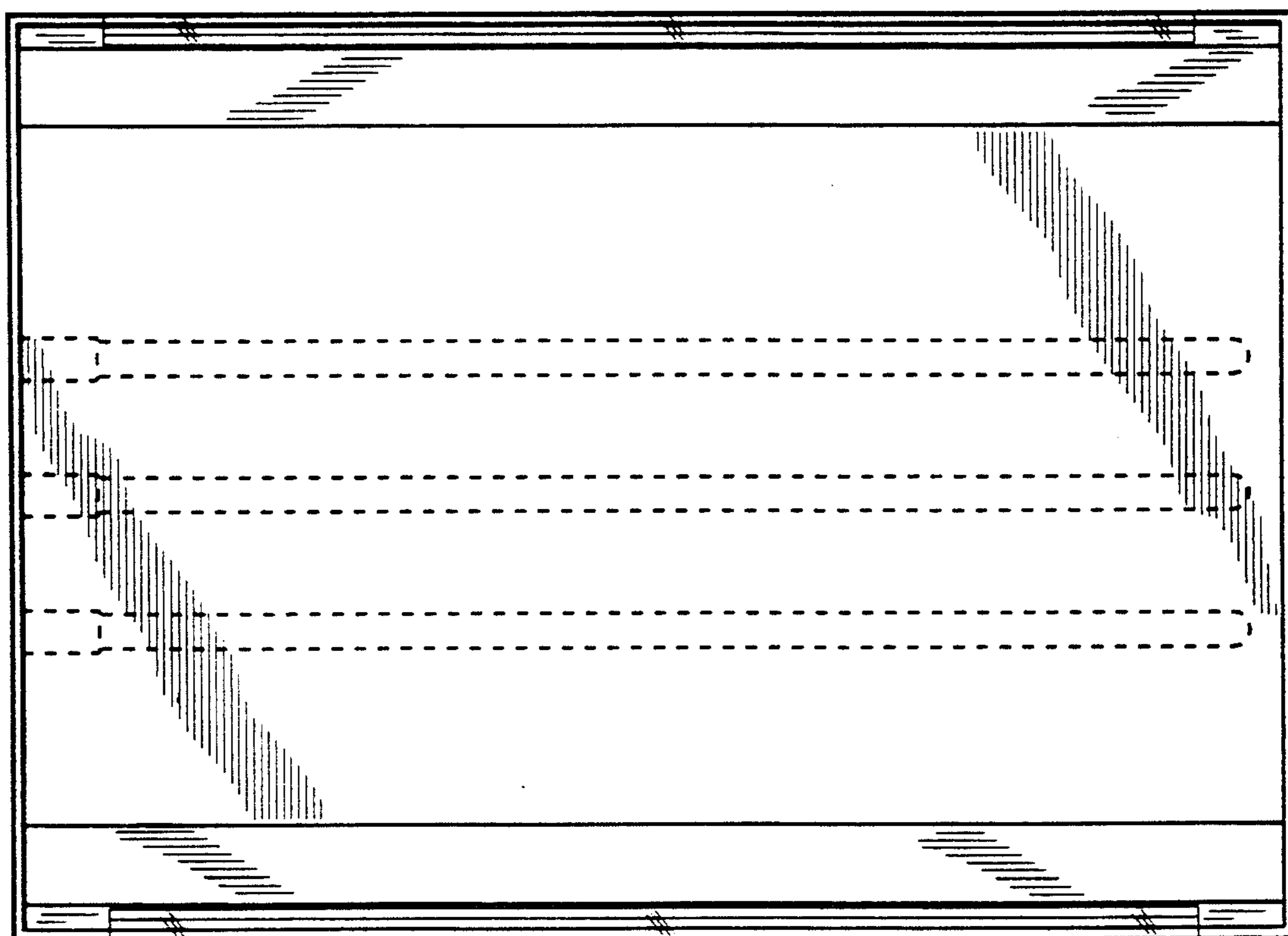


FIG._5

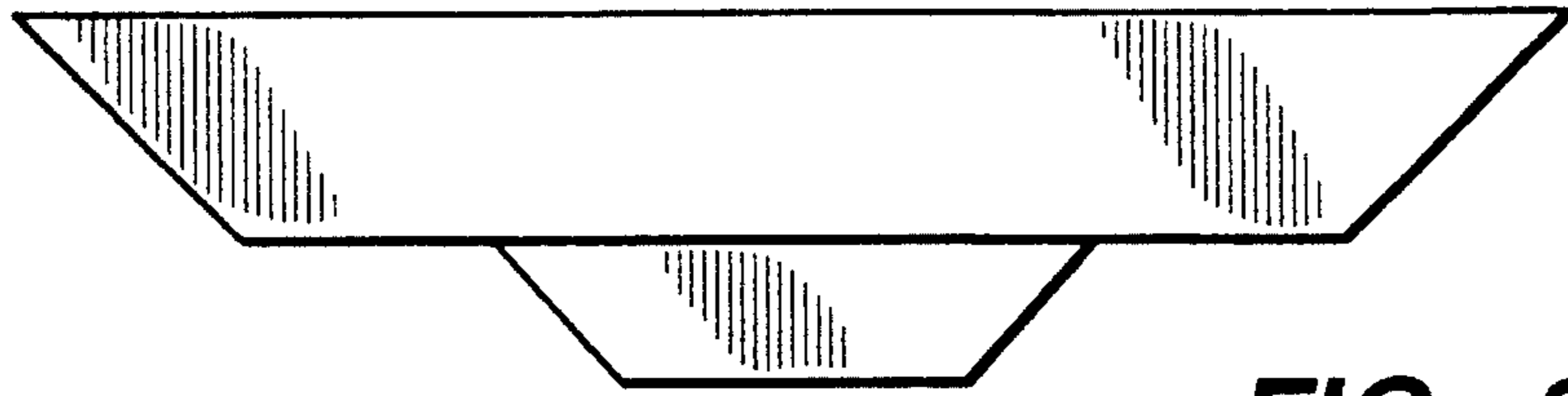


FIG._2

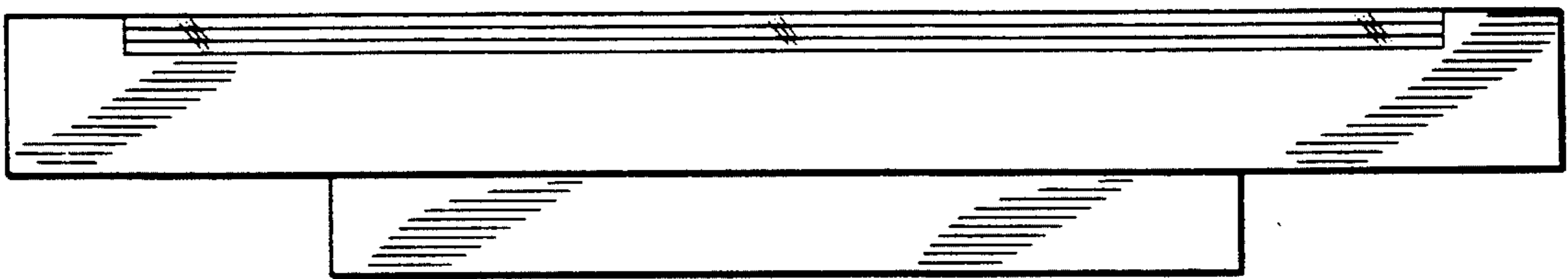


FIG._3

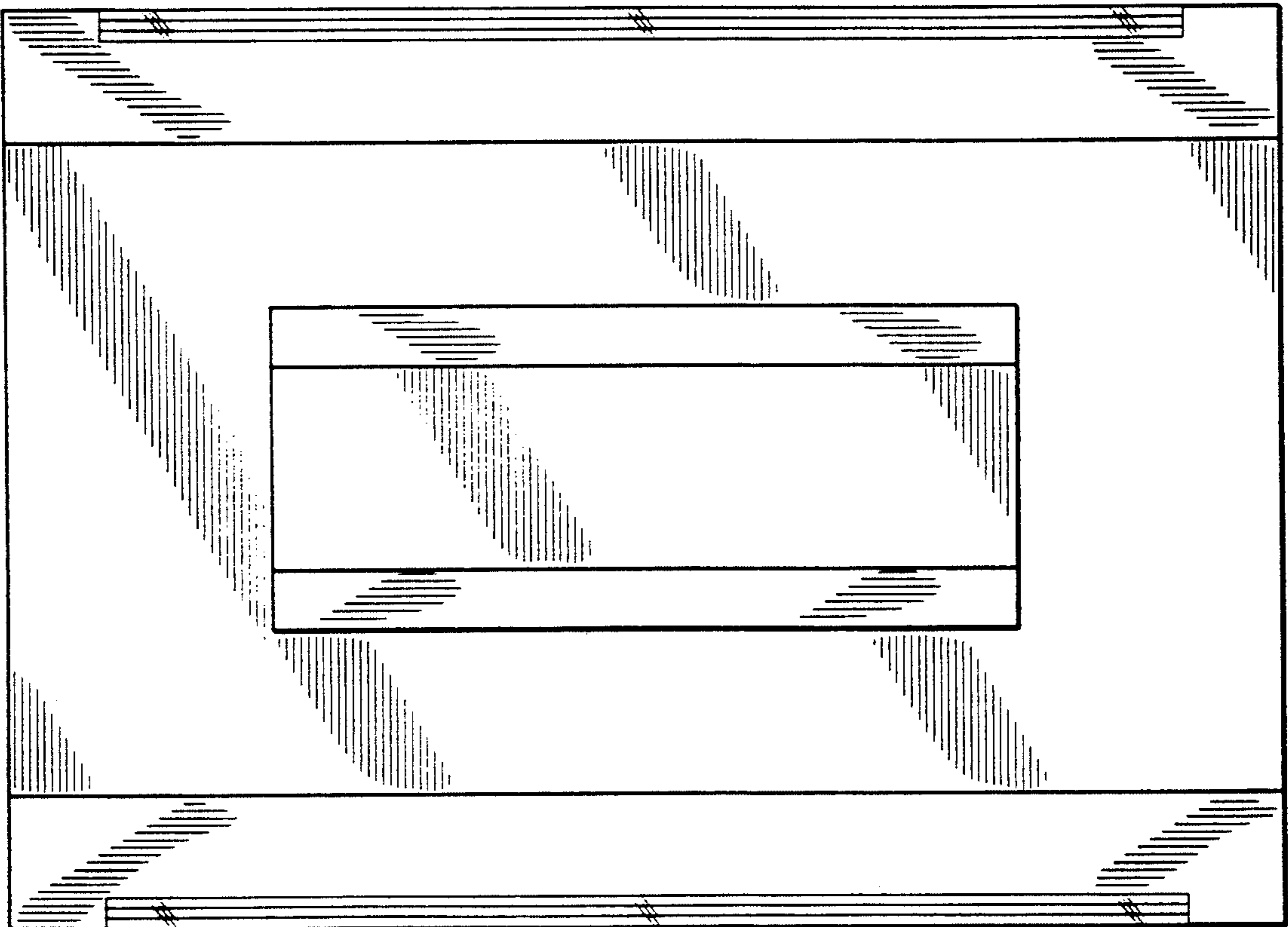


FIG._4

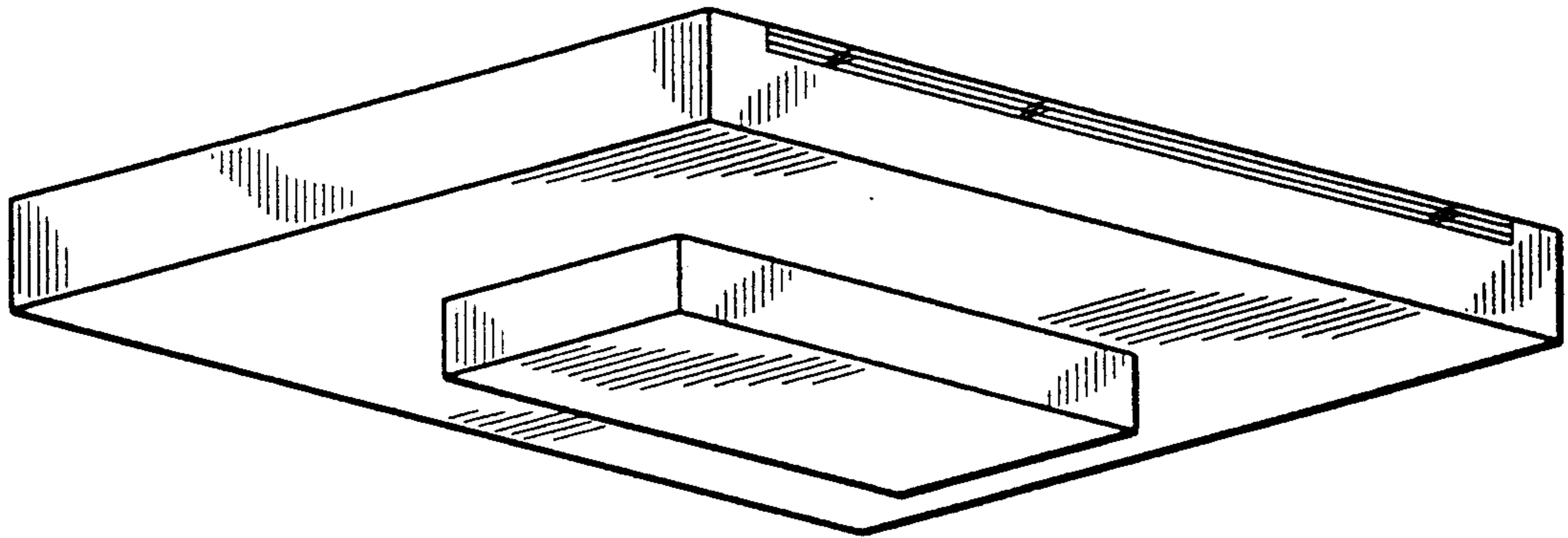


FIG._6

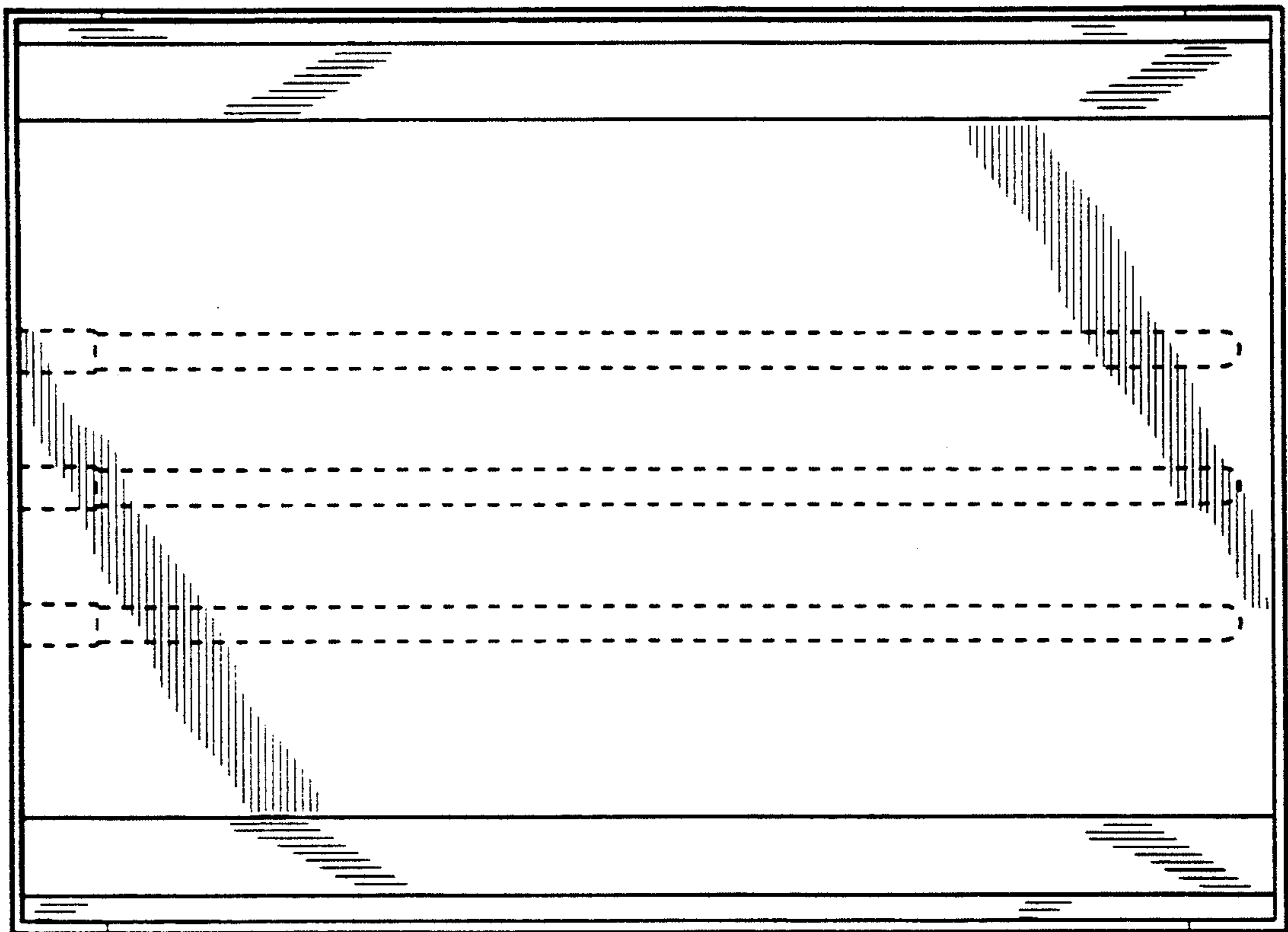


FIG._10

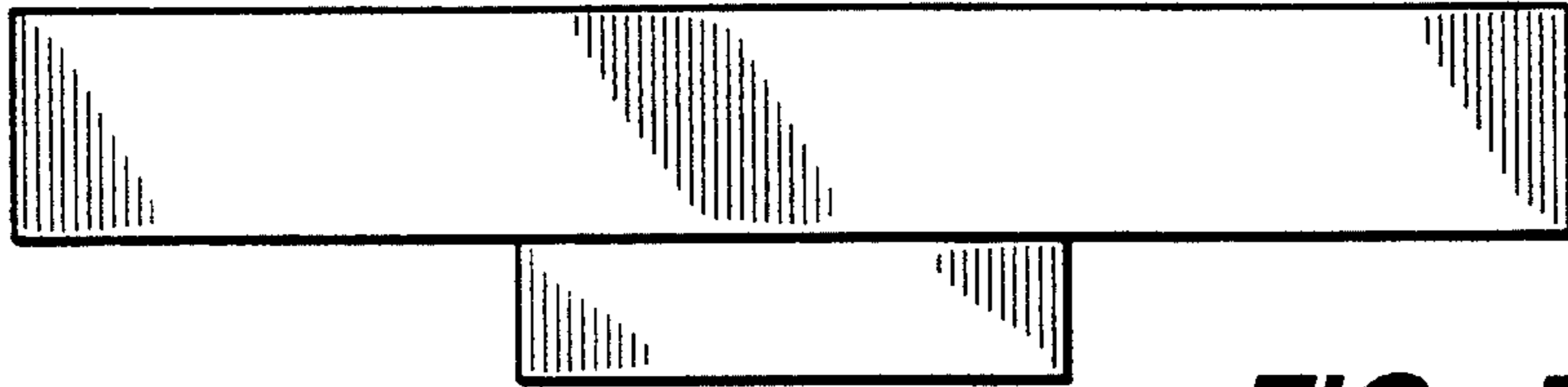


FIG._7

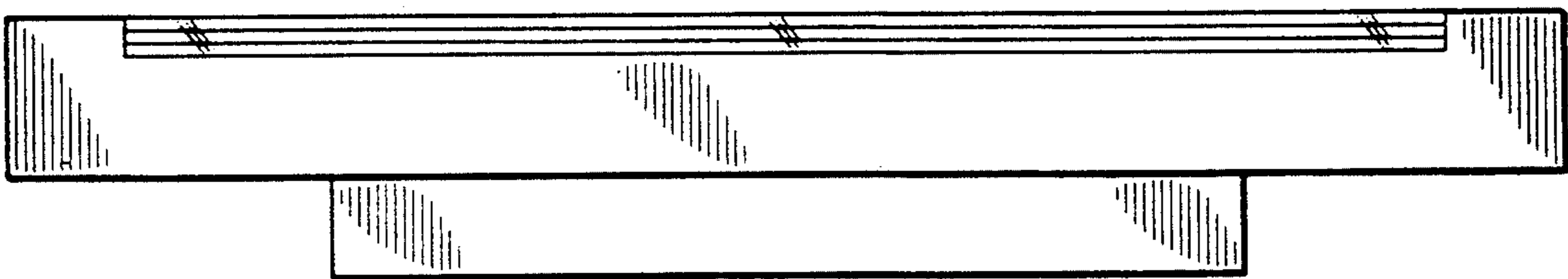


FIG._8

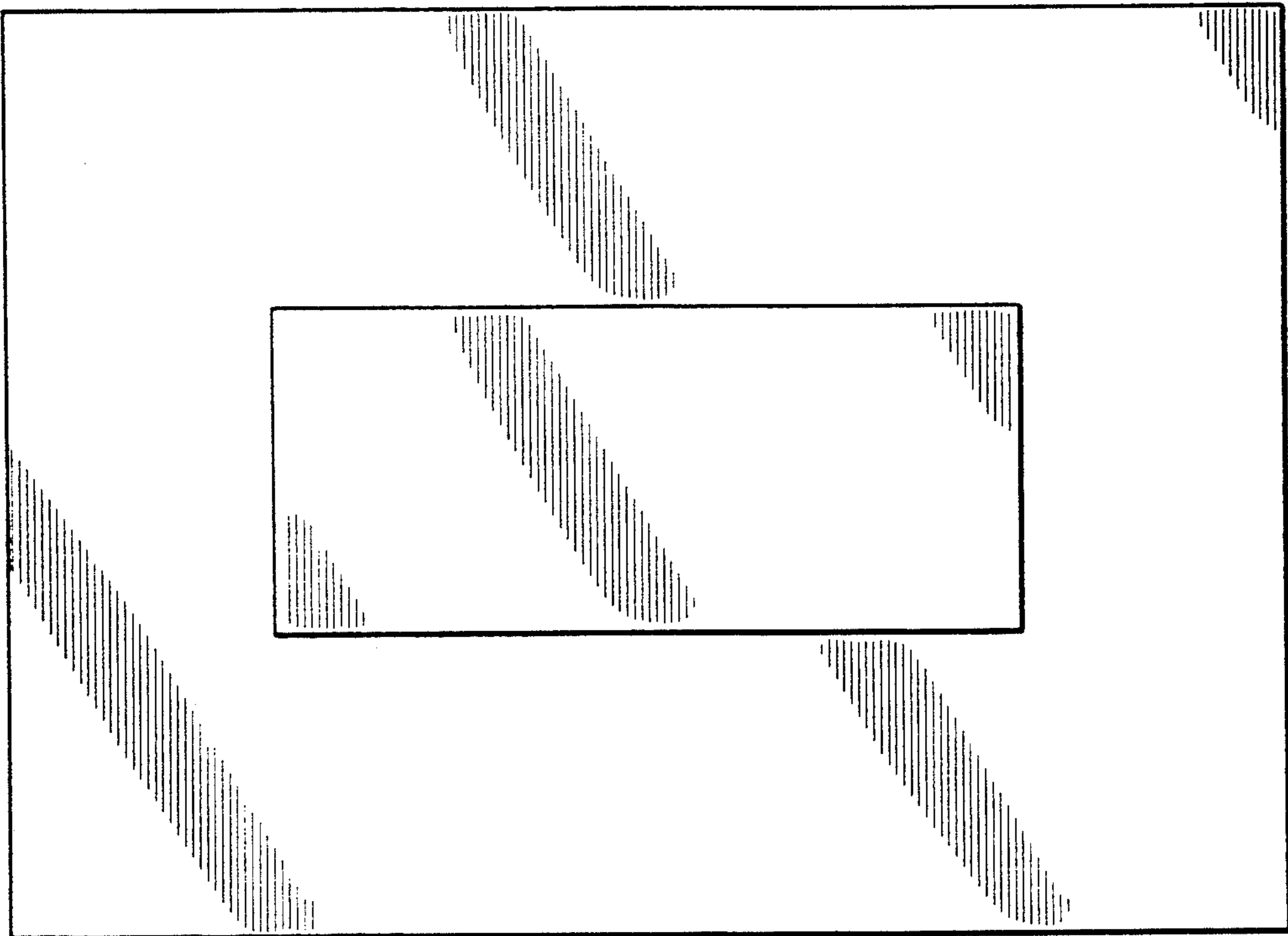


FIG._9