



US00D348519S

United States Patent [19] Cagle

[11] **Patent Number: Des. 348,519**
[45] **Date of Patent: ** Jul. 5, 1994**

[54] **BACK MASSAGER**
[76] **Inventor: David Cagle, 507 Garland St., El Dorado, Ark. 72204**
[**] **Term: 14 Years**
[21] **Appl. No.: 11,334**
[22] **Filed: Aug. 2, 1993**

D. 277,030 1/1985 Conn, Sr. D24/211
2,619,957 12/1952 Hague 128/57
2,683,454 7/1954 Brandenfels 128/58

Primary Examiner—Stella Reid
Attorney, Agent, or Firm—Ray F. Cox, Jr.

[57] CLAIM

The ornamental design for a back massager, as shown and described.

Related U.S. Application Data

[63] Continuation of Ser. No. 888,860, May 27, 1992, abandoned.
[52] **U.S. Cl. D24/211; D24/212**
[58] **Field of Search 128/57, 58; D24/200, D24/211-214**

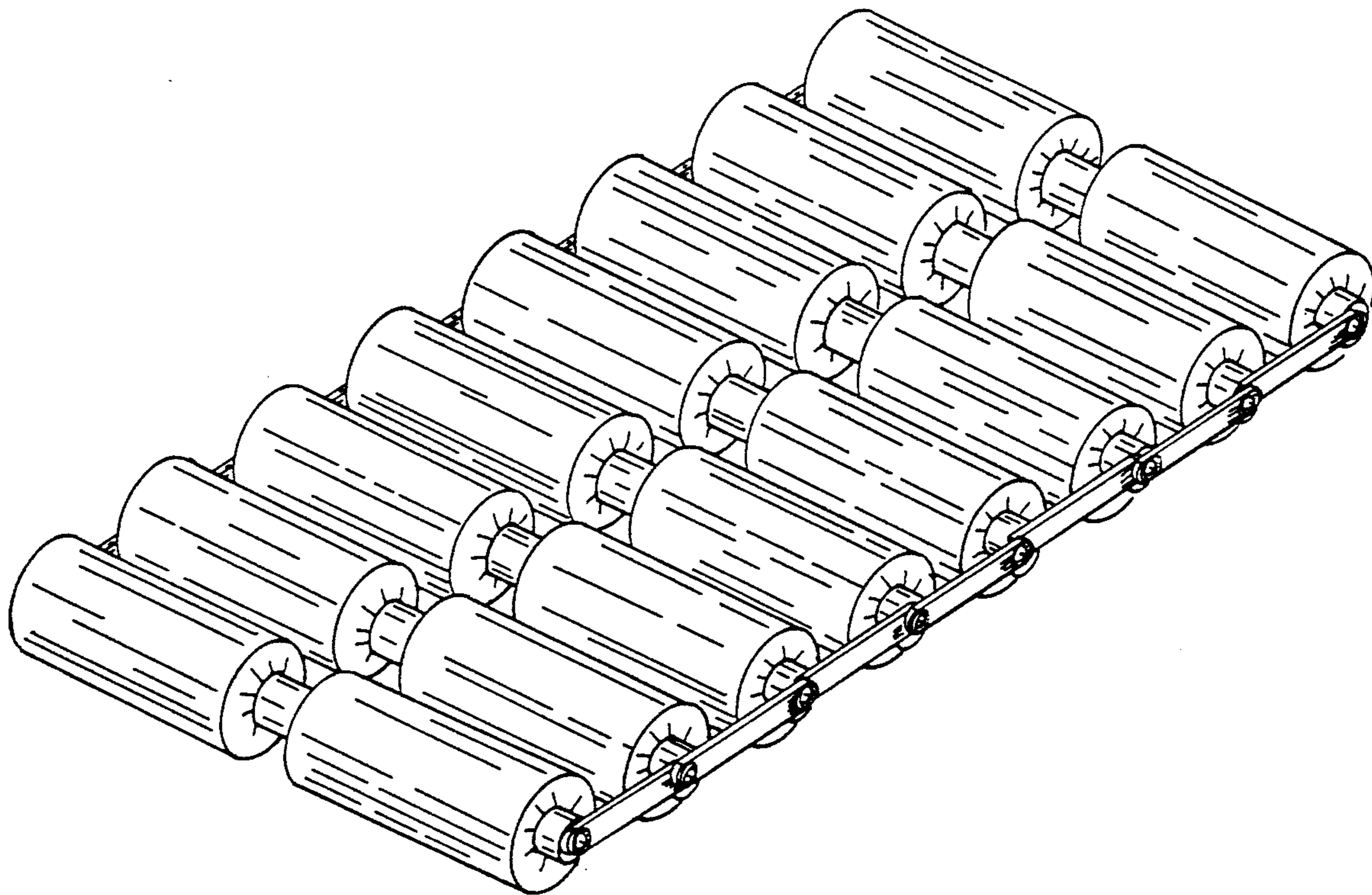
DESCRIPTION

FIG. 1 is a top perspective view of a back massager, showing my new design, in unfolded configuration; FIG. 2 is a perspective view thereof, in folded configuration; FIG. 3 is a front end elevational view thereof; FIG. 4 is a bottom plan view thereof; FIG. 5 is a back end elevational view thereof; and, FIG. 6 is a side elevational view, the opposite side elevational view being identical thereto.

[56] References Cited

U.S. PATENT DOCUMENTS

D. 263,623 3/1982 Conn, Sr. D24/211



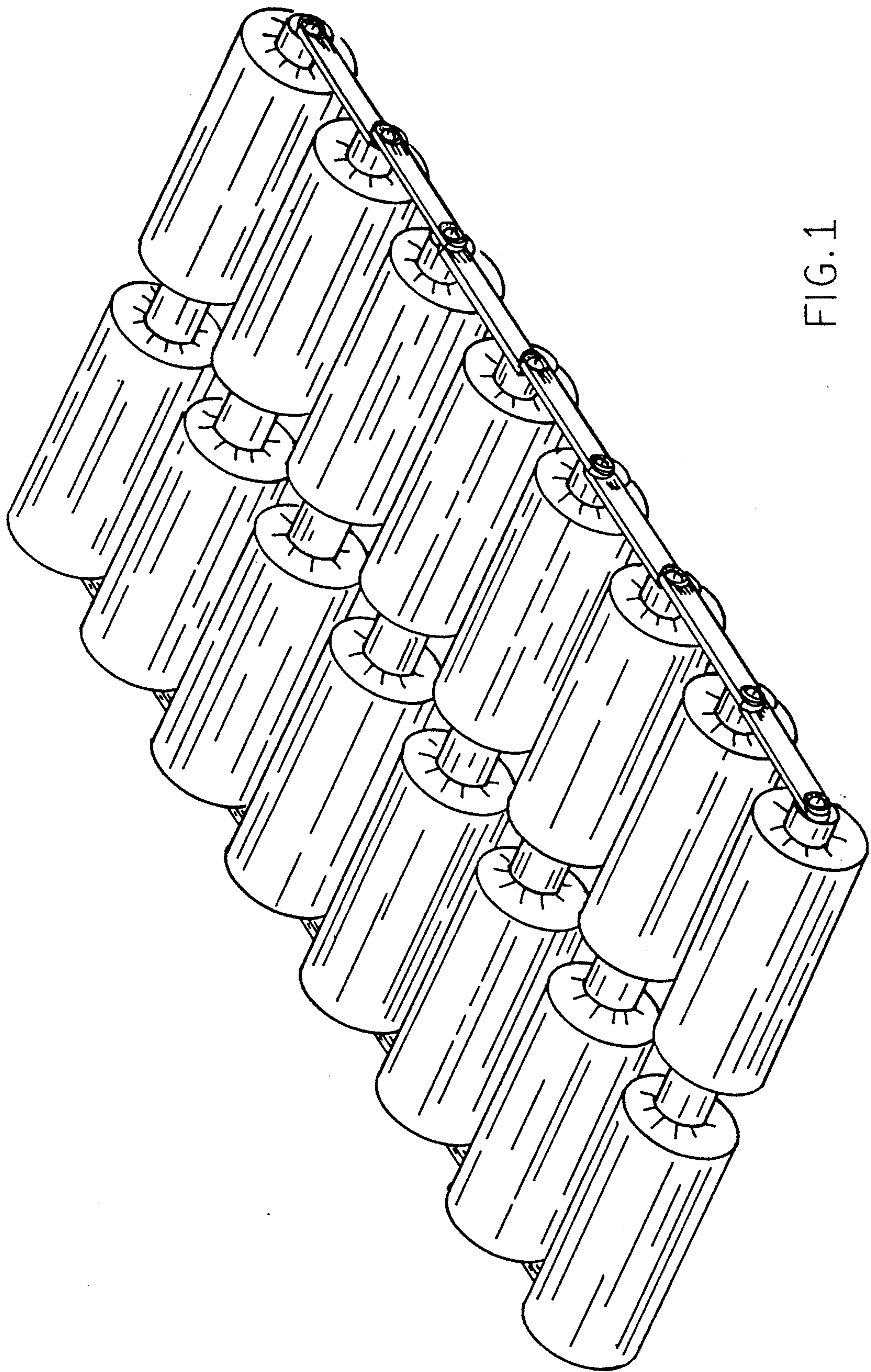


FIG. 1

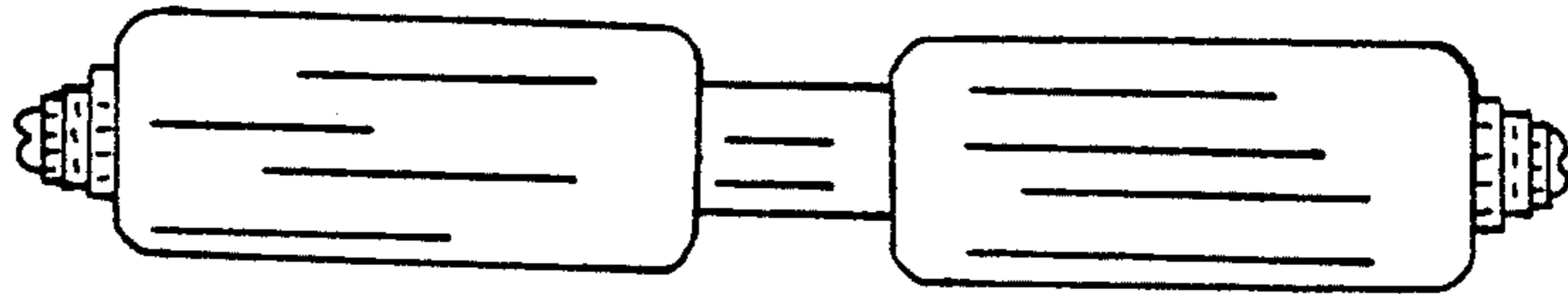


FIG. 3

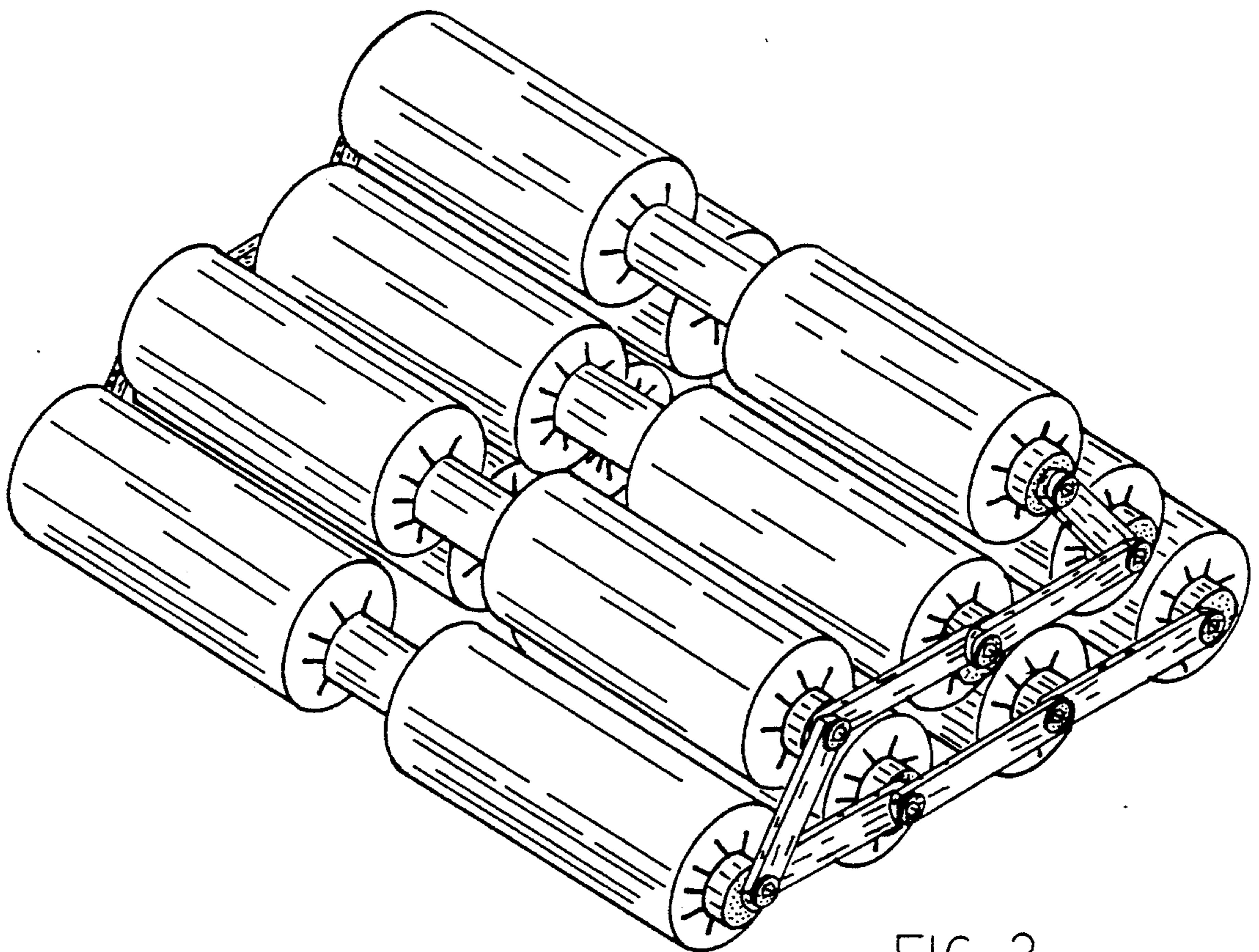


FIG. 2

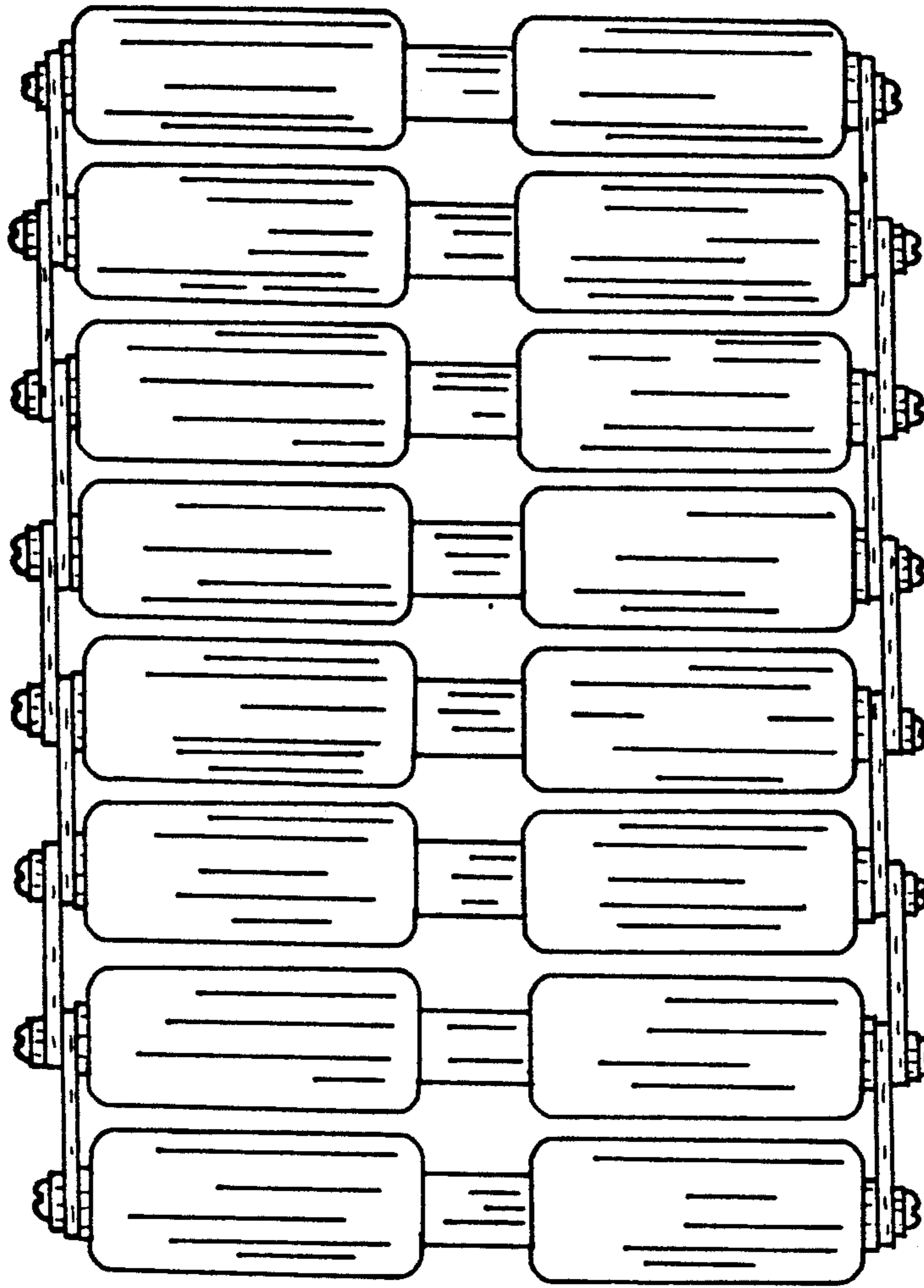


FIG. 4

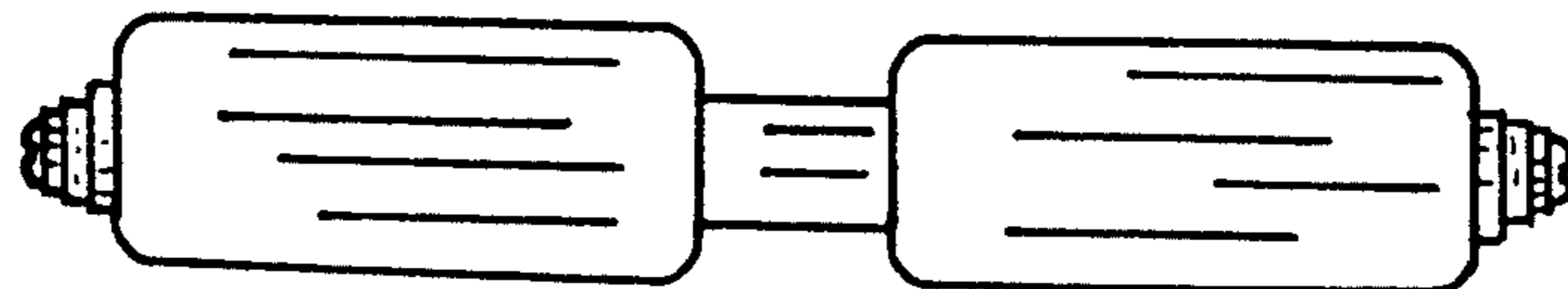


FIG. 5

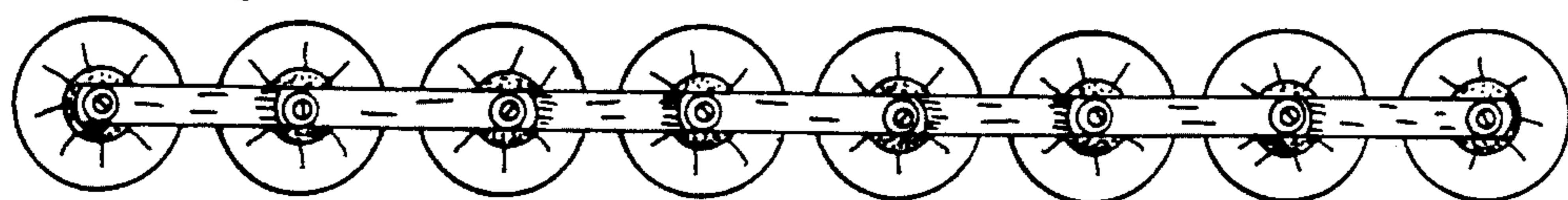


FIG. 6