



US00D348515S

United States Patent [19]

[11] Patent Number: **Des. 348,515**

Mangione

[45] Date of Patent: **** Jul. 5, 1994**

[54] **DENTAL MIRROR**

*Primary Examiner—Stella Reid
Assistant Examiner—Ian Simmons
Attorney, Agent, or Firm—Natter & Natter*

[75] Inventor: **Paul E. Mangione, Bronx, N.Y.**

[73] Assignee: **Dental Concepts Inc., Elmsford, N.Y.**

[57] **CLAIM**

[**] Term: **14 Years**

The ornamental design for a dental mirror, as shown and described.

[21] Appl. No.: **2,478**

DESCRIPTION

[22] Filed: **Dec. 11, 1992**

FIG. 1 is a front elevational view of a dental mirror showing my new design;

[52] U.S. Cl. **D24/139**

FIG. 2 is a rear elevational view thereof;

[58] Field of Search 433/30, 31; **D24/139,**

FIG. 3 is a right side elevational view thereof;

D24/176

FIG. 4 is a left side elevational view thereof;

[56] **References Cited**

U.S. PATENT DOCUMENTS

D. 185,815 8/1959 Starrett **D24/139 X**

D. 281,718 12/1985 Holstad **D24/139**

D. 329,899 9/1992 Rihani **D24/139**

FIG. 5 is an enlarged scale top plan view thereof;

FIG. 6 is an enlarged scale bottom view thereof;

FIG. 7 is a reduced scale side view thereof, showing a head of the dental mirror at an angle to a handle; and,

FIG. 8 is a reduced scale rear perspective view of the dental mirror in the position shown in FIG. 7.

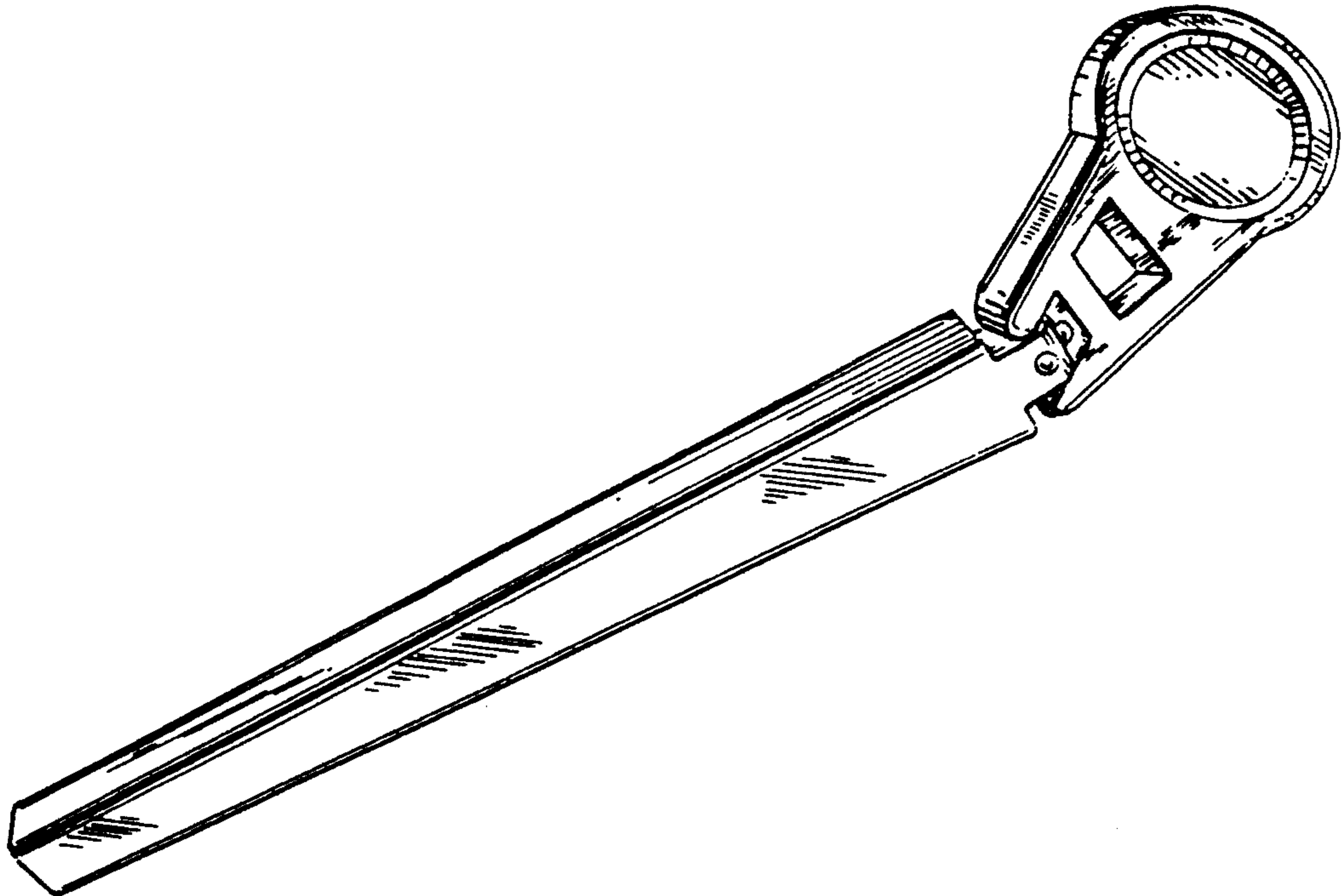


FIG. 1

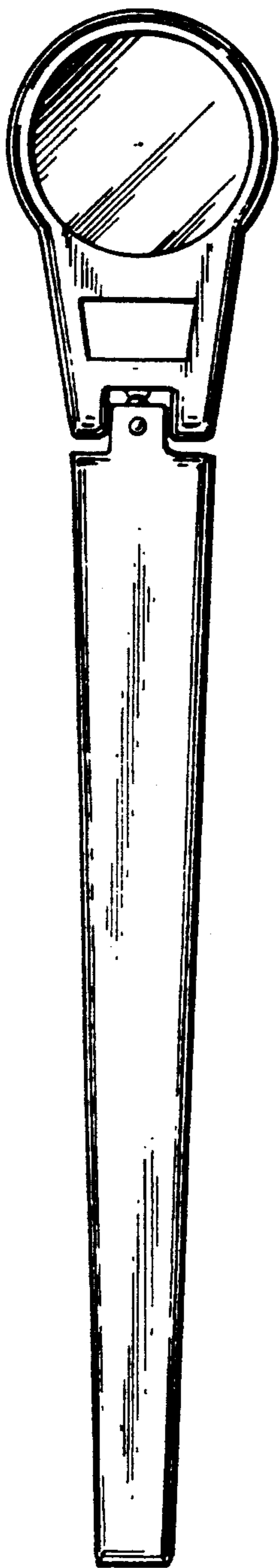


FIG. 2

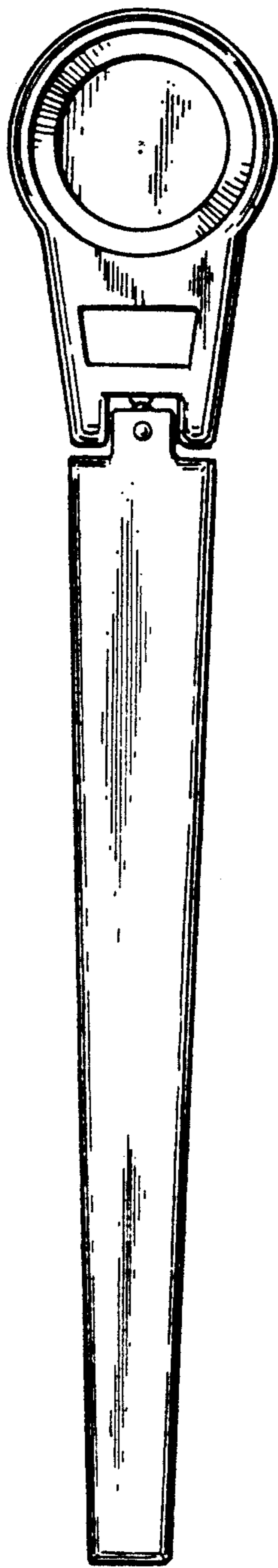


FIG. 3



FIG. 4



FIG. 5

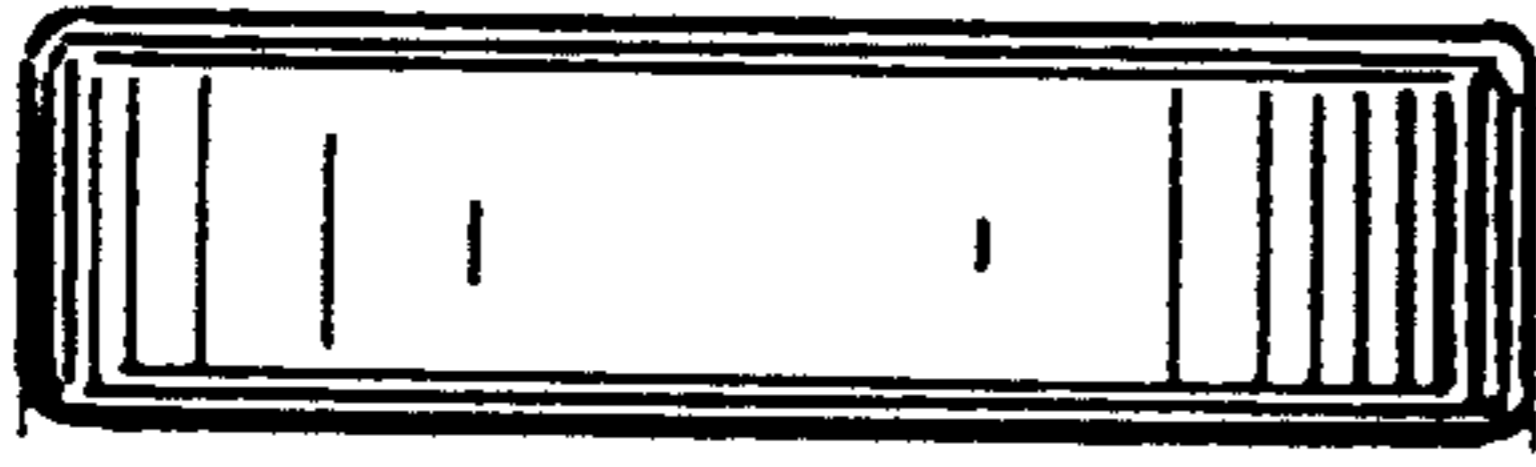


FIG. 6



FIG. 7

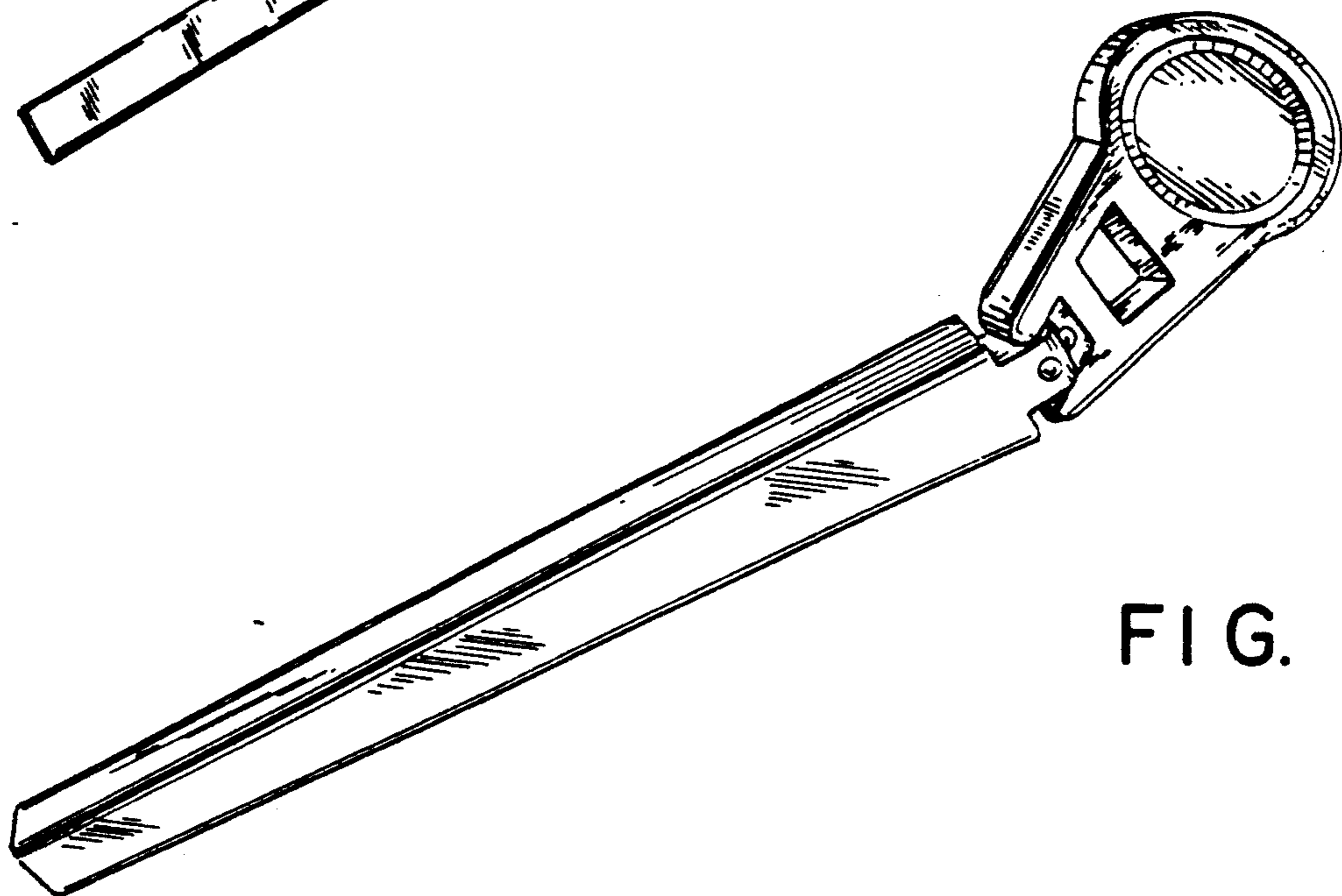
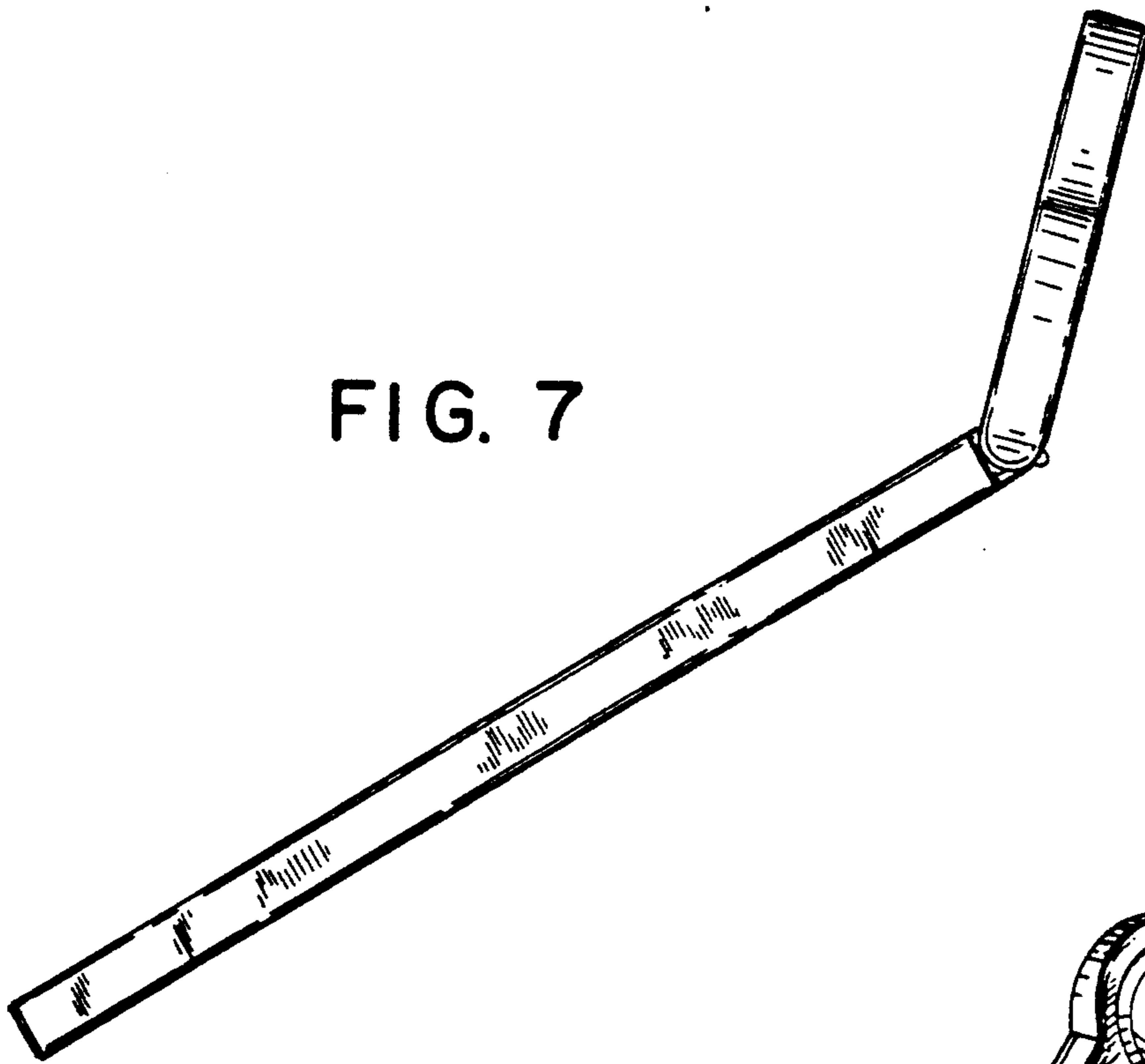


FIG. 8