



US00D348513S

United States Patent [19]
Bale

[11] **Patent Number: Des. 348,513**
[45] **Date of Patent: ** Jul. 5, 1994**

[54] **BREAST PUMP ADAPTER**
[75] **Inventor: Bart Bale, Chagrin Falls, Ohio**
[73] **Assignee: Lisco, Inc., Tampa, Fla.**
[**] **Term: 14 Years**
[21] **Appl. No.: 838,663**
[22] **Filed: Feb. 20, 1992**
[52] **U.S. Cl. D24/109; D24/197**
[58] **Field of Search 604/74, 75, 76;
215/11.1-11.6; D24/109, 197**

5,007,899 4/1991 Larsson D24/109 X

Primary Examiner—Stella Reid

[57] **CLAIM**

The ornamental design for a breast pump adapter, as shown and described.

DESCRIPTION

FIG. 1 is a top perspective view of the breast pump adapter showing the design of my invention;
FIG. 2 is a bottom perspective view showing the design of my invention;
FIG. 3 is a side view showing the design of my invention;
FIG. 4 is a top plan view showing the design of my invention; and,
FIG. 5 is a bottom plan view showing the design of my invention.

[56] **References Cited**
U.S. PATENT DOCUMENTS
D. 313,103 12/1990 Kawano D24/109
D. 326,516 5/1992 Chambers D24/109
4,603,784 8/1986 Chang D24/197 X

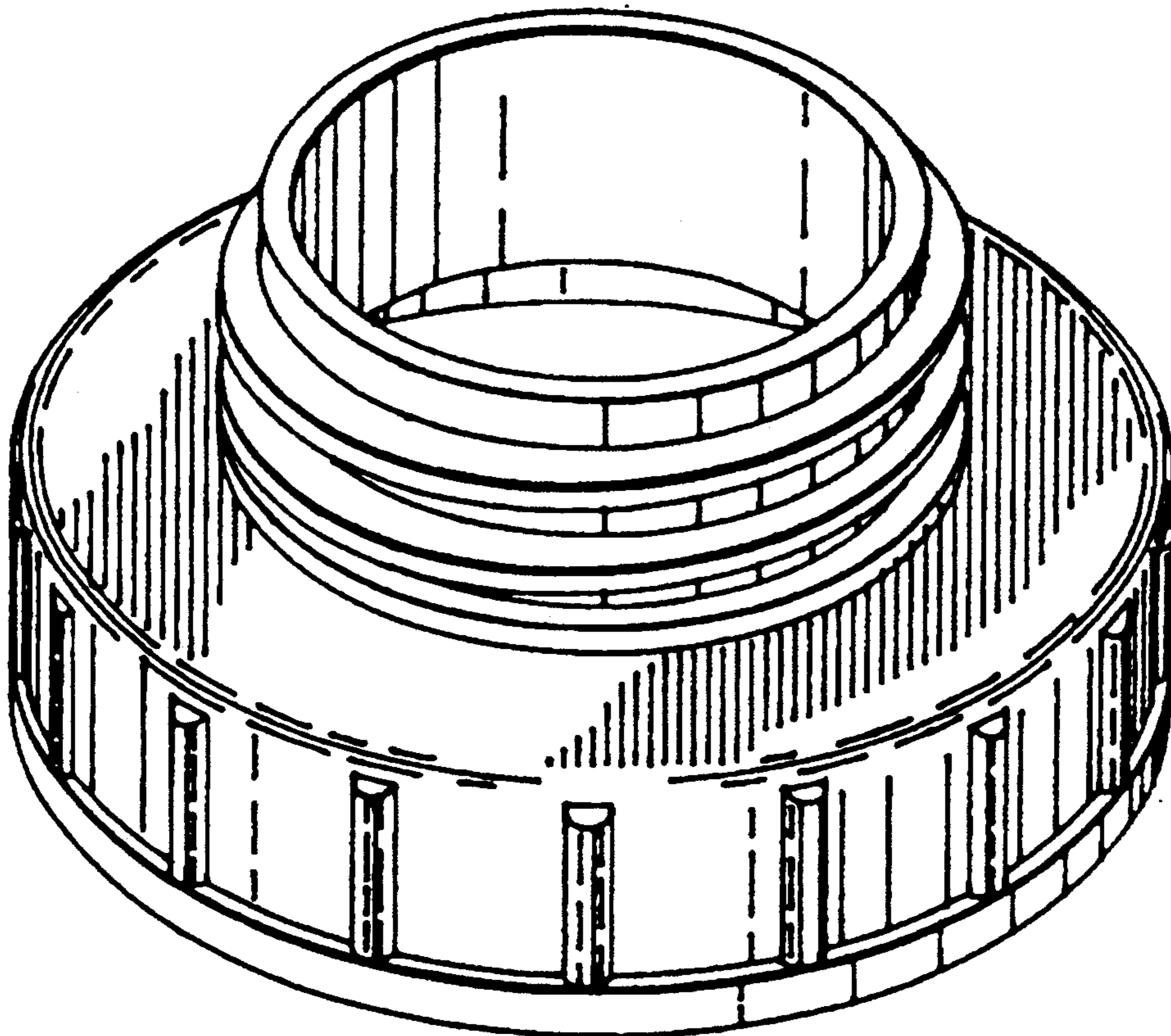


FIG. 1

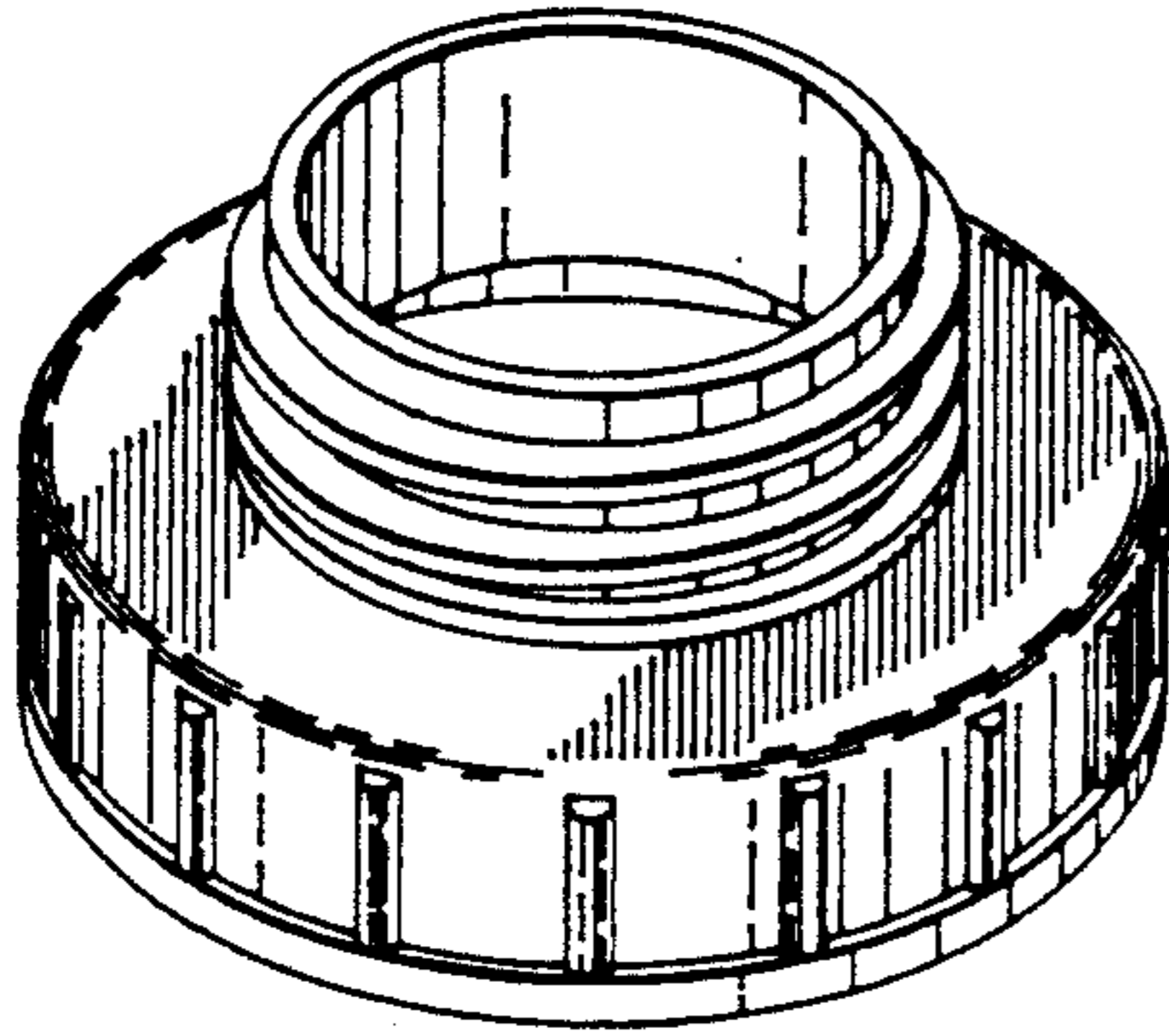


FIG. 2

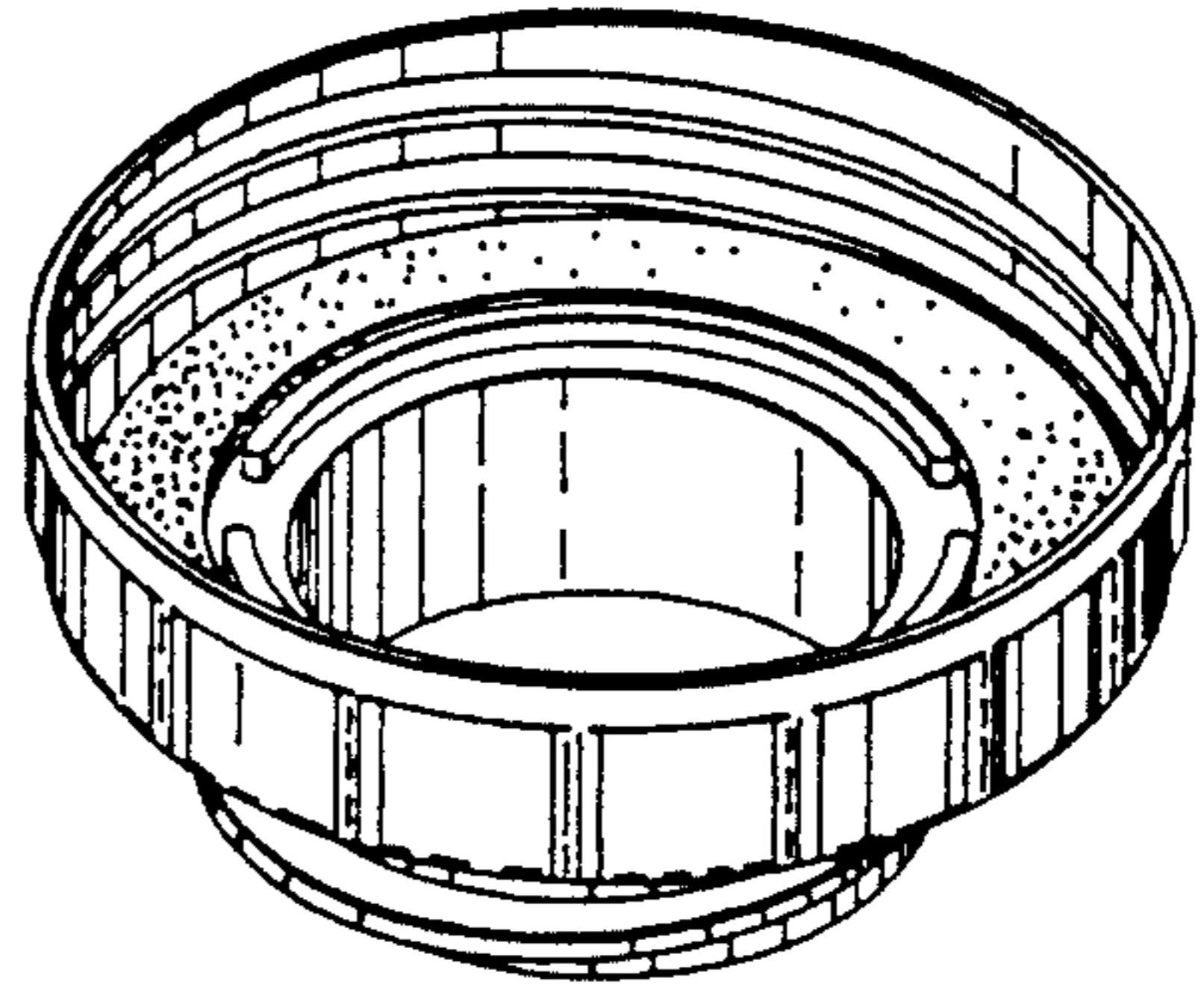


FIG. 3

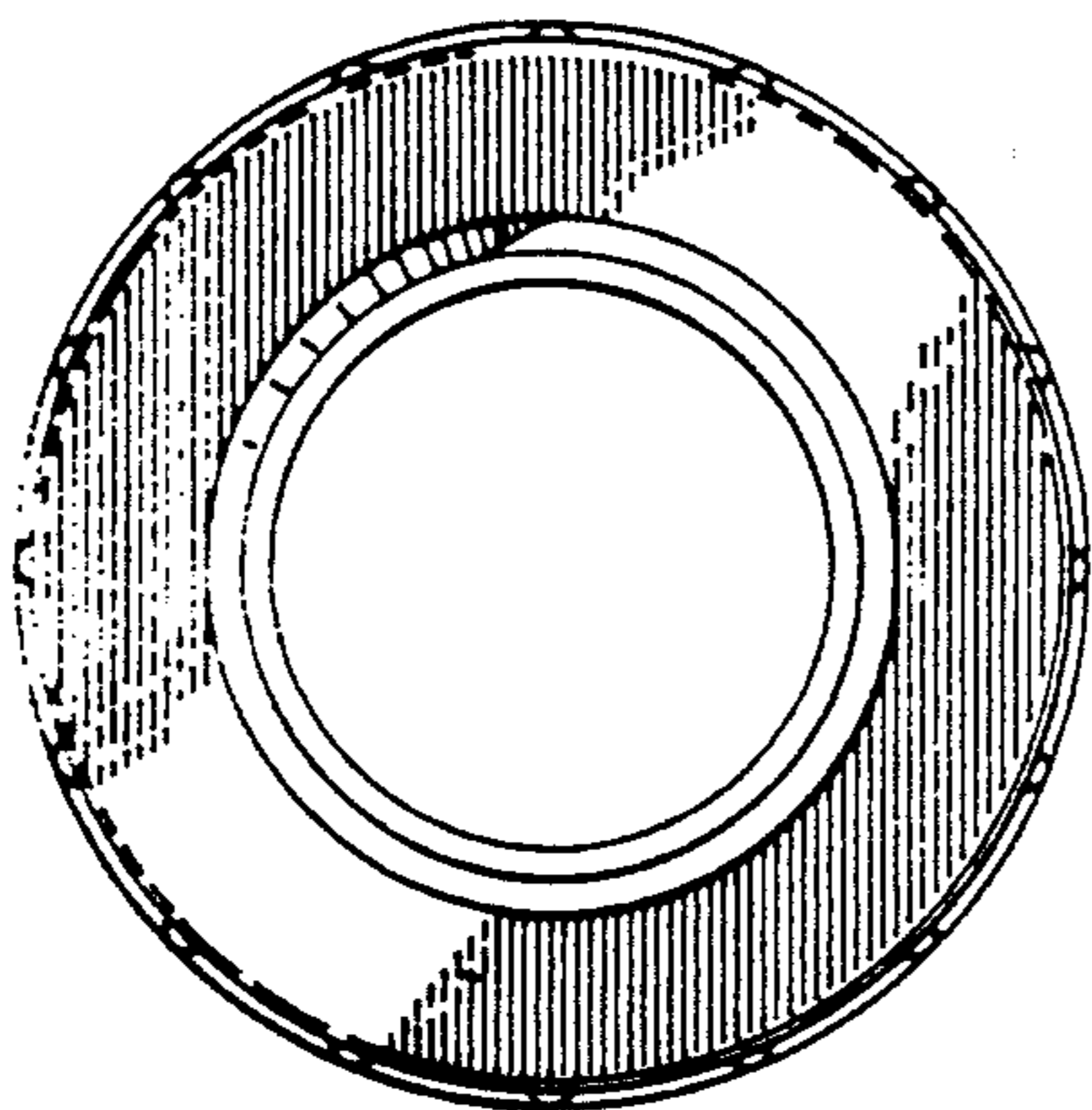
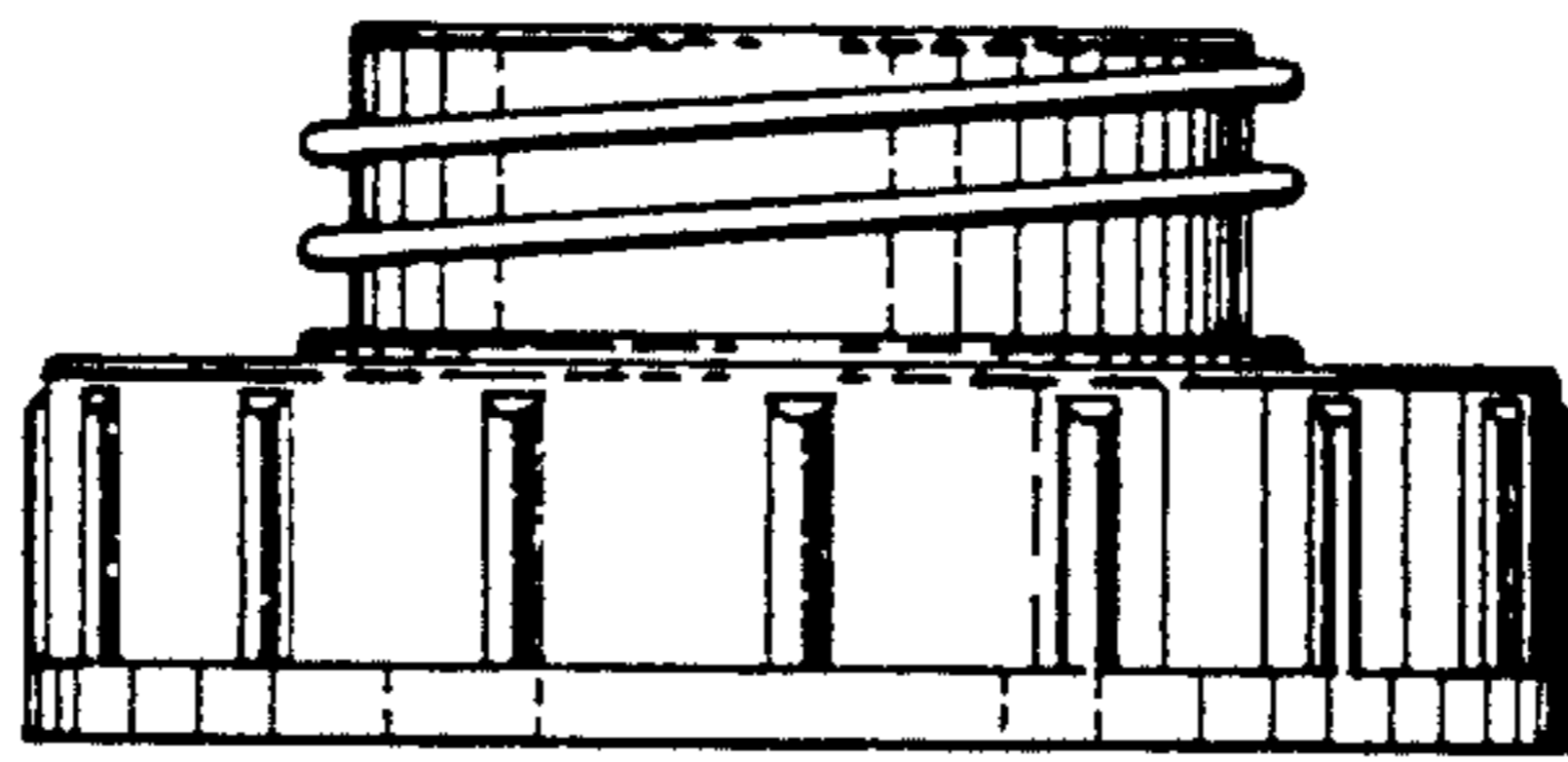


FIG. 4

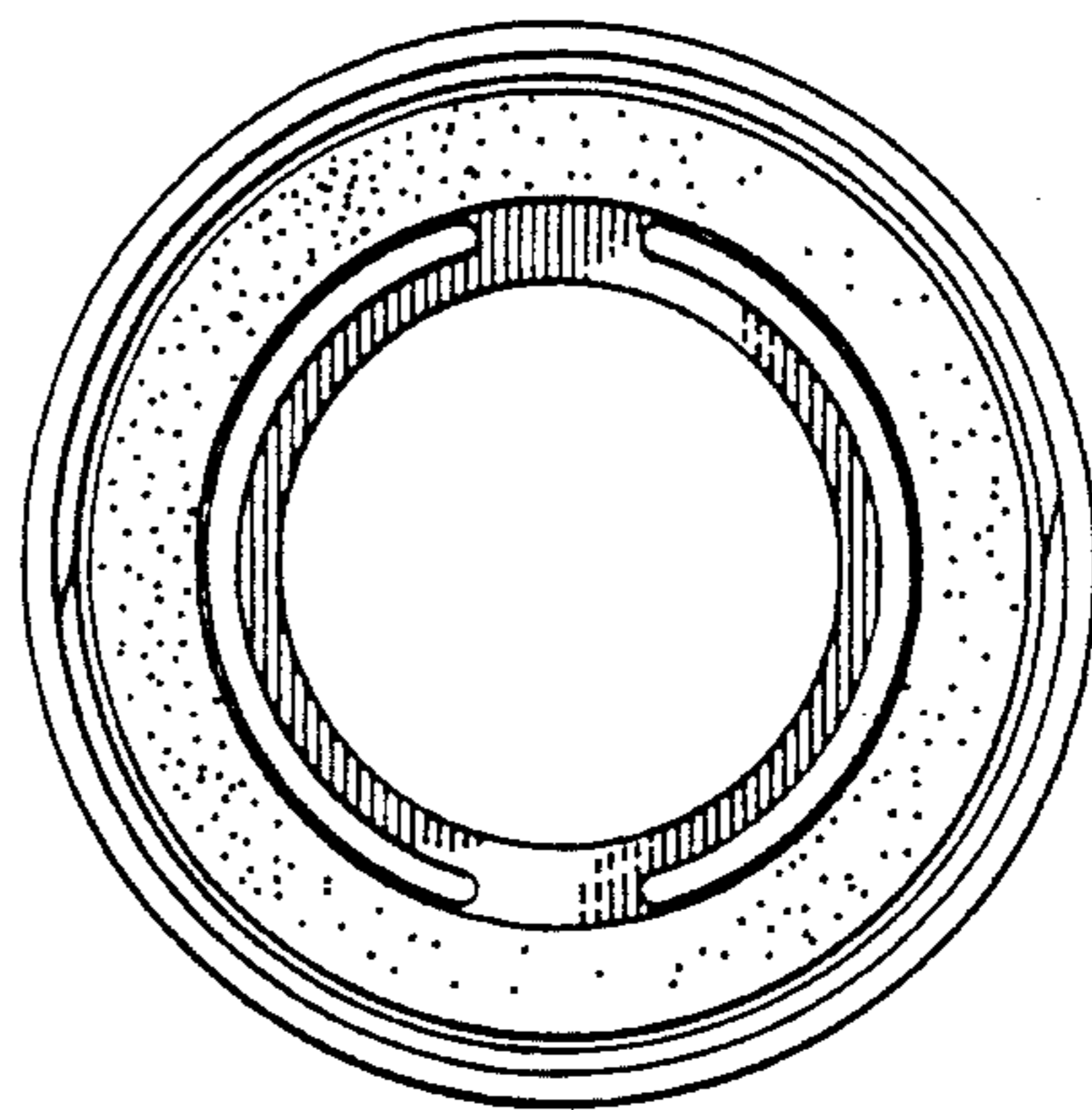


FIG. 5