



US00D348512S

United States Patent [19]
Markwardt et al.

[11] **Patent Number: Des. 348,512**
[45] **Date of Patent: ** Jul. 5, 1994**

[54] **CEILING FAN MOTOR HOUSING**

4,518,314 5/1985 Schultz 416/93 R
4,878,806 11/1989 Markwardt 416/5

[75] **Inventors: Herbert W. Markwardt; Michael A. Markwardt, both of Fort Worth, Tex.**

FOREIGN PATENT DOCUMENTS

[73] **Assignee: Encon Industries, Inc., Fort Worth, Tex.**

358399 of 1890 United Kingdom .
478417 10/1938 United Kingdom .
2031068A 4/1980 United Kingdom .
2069622A 8/1981 United Kingdom .
2149013A 6/1985 United Kingdom .

[**] **Term: 14 Years**

[21] **Appl. No.: 942,068**

OTHER PUBLICATIONS

[22] **Filed: Sep. 9, 1992**

Moss Manufacturing, Inc. Advertising Brochure, p. 3, Ceiling Fan Motor Housing—pre Jun. 17, 1990.
Nutone Catalog, 1980, Front Cover Ceiling Fan—pre Jun. 17, 1990.
Periculum Ceiling Fan Catalog, 1980, pp. 1 & 5—pre Jun. 17, 1990.
Encon Industries, Inc. 1982 Brochure, Front Cover—pre Jun. 17, 1990.
Emerson Electric Mfg. Co. Cat.,—pre Jun. 17, 1990.

Related U.S. Application Data

[63] Continuation of Ser. No. 716,615, Jun. 17, 1991, abandoned.

[52] **U.S. Cl. D23/411**

[58] **Field of Search 416/5, 247 R; 392/364; D23/411, 377-379, 385; D26/85**

[56] **References Cited**

U.S. PATENT DOCUMENTS

D. 60,922	4/1922	Shardlow .	
D. 270,563	9/1983	Phillips	D23/158
D. 273,417	4/1984	Conner	D23/163
D. 285,720	9/1986	Markwardt	D23/158
D. 297,360	8/1988	Cheslock	D23/385
D. 308,419	6/1990	Mason	D23/411
D. 312,139	11/1990	Wang	D26/51
D. 312,687	12/1990	Mason et al.	D23/377
D. 314,046	1/1991	Yen	D23/377
D. 315,612	3/1991	Hughes et al.	D26/85
955,089	4/1910	Mehlhose .	
1,445,402	2/1923	Le Velle .	
1,501,524	7/1924	Cousins .	
4,073,598	2/1978	Mizutani et al.	416/5
4,342,073	7/1982	Ranten	362/294
4,508,958	4/1985	Kan et al.	219/369

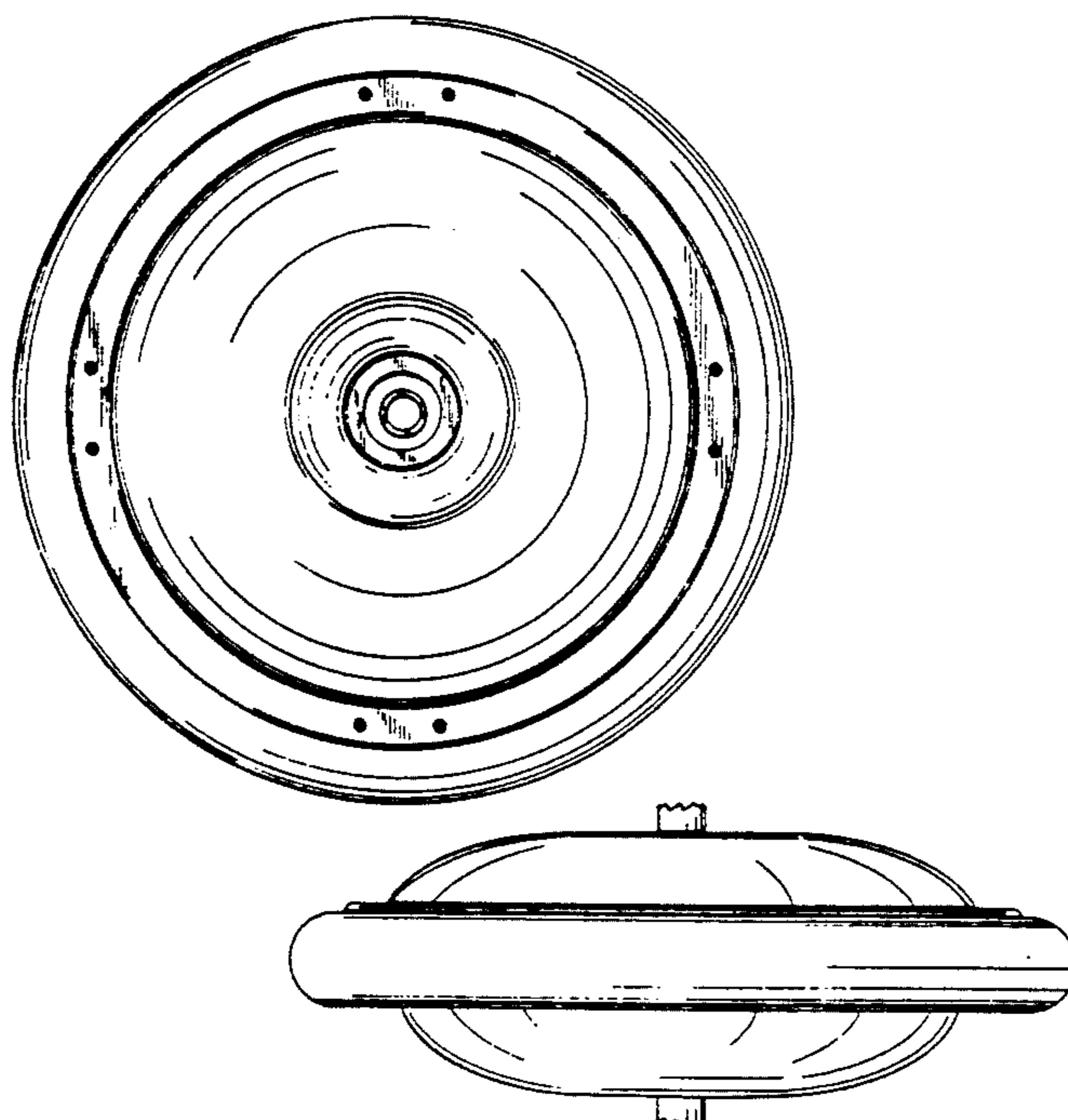
Primary Examiner—Wallace R. Burke
Assistant Examiner—Lisa Lichtenstein
Attorney, Agent, or Firm—Dougherty, Hessin, Beavers & Gilbert

[57] **CLAIM**

The ornamental design for a ceiling fan motor housing, as shown and described.

DESCRIPTION

FIG. 1 is a top plan view of a ceiling fan motor housing showing our new design; FIG. 2 is a side elevation view thereof, the opposite side being a mirror image of that shown; and, FIG. 3 is a bottom plan view thereof. The shaft has been broken away in FIG. 2 at the top and bottom ends to indicate indeterminate length.



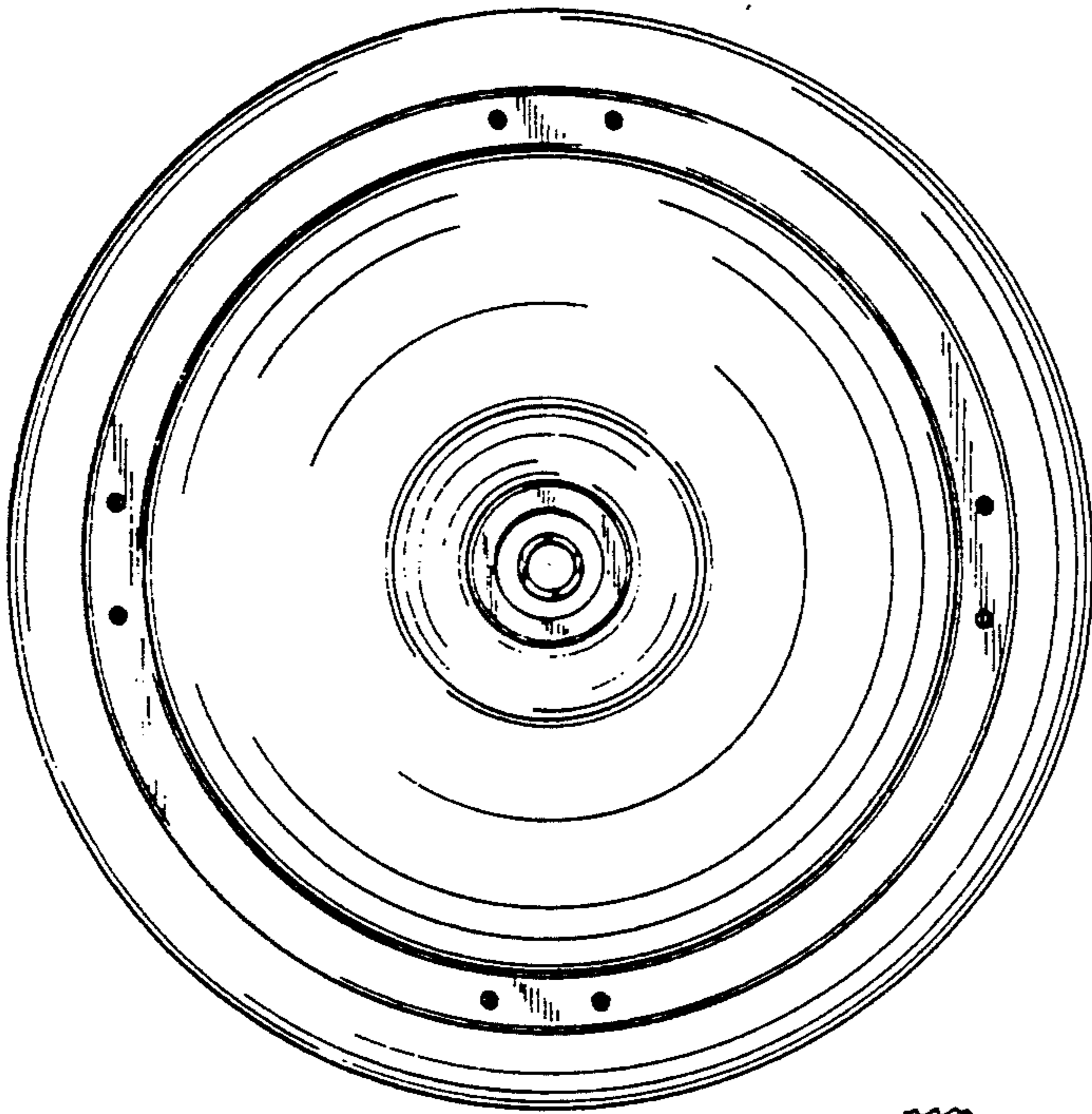


FIG. 1

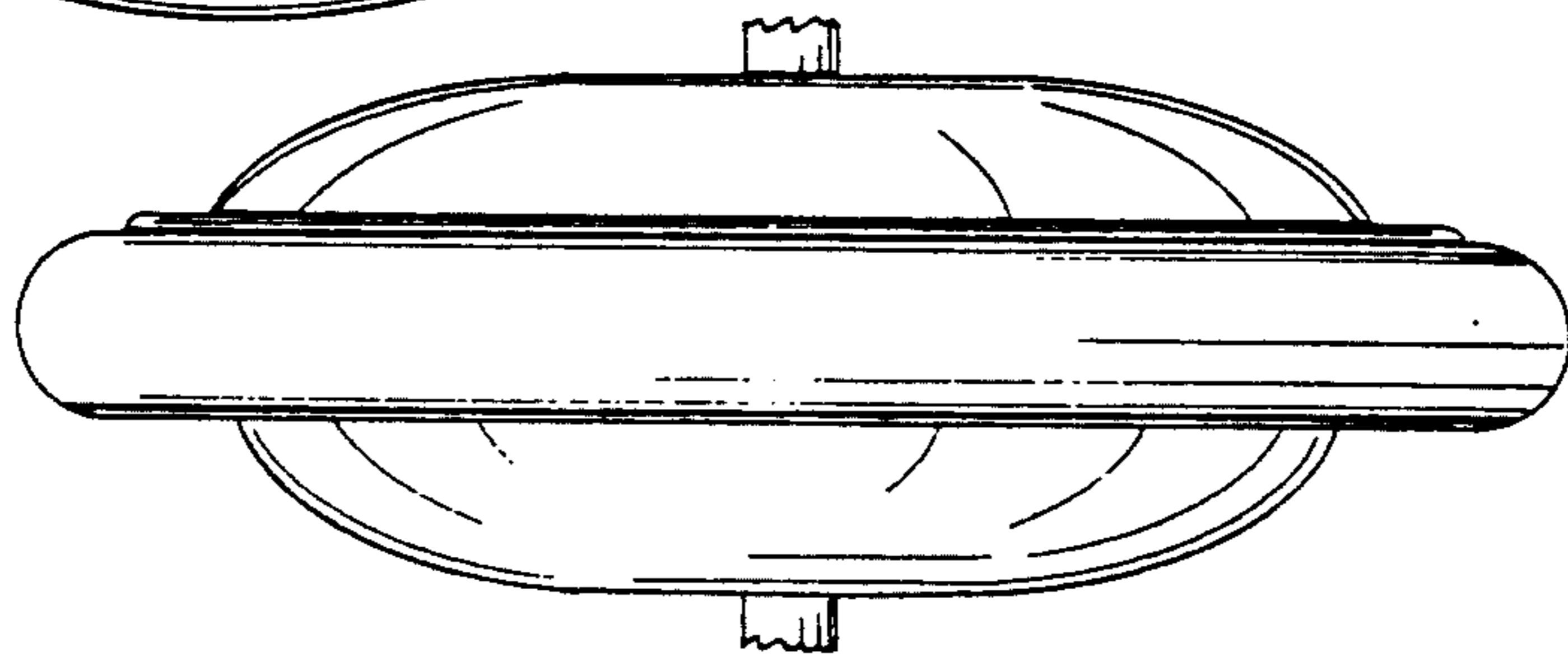


FIG. 2

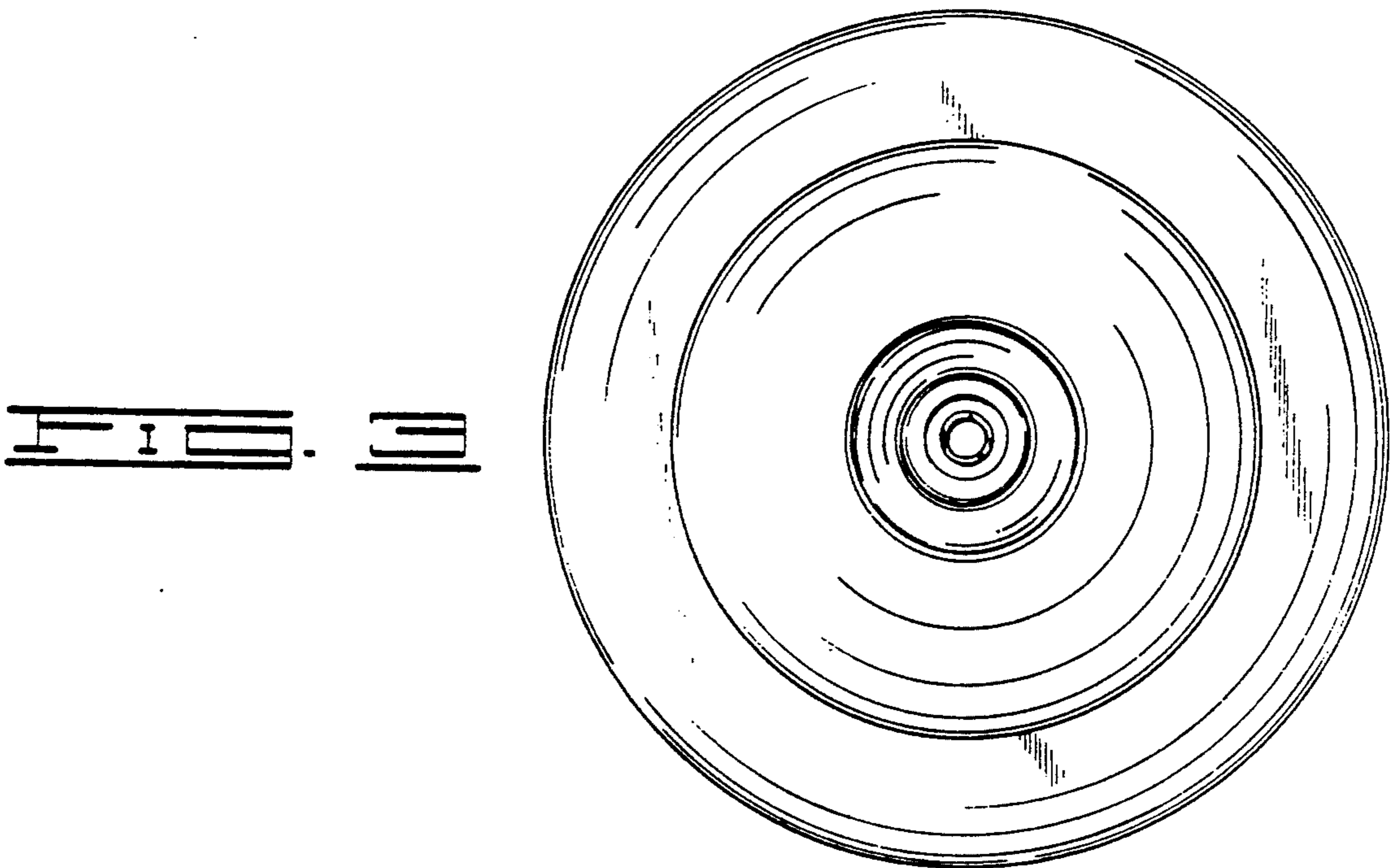


FIG. 3