



US00D348511S

# United States Patent [19]

[11] Patent Number: **Des. 348,511**

Denton

[45] Date of Patent: **\*\* Jul. 5, 1994**

[54] **FLEXIBLE DUCT FOR A VEHICLE AIR CLEANER**

[76] Inventor: **Dana D. Denton, 4 Hawthorne, Methuen, Mass. 01844**

[\*\*] Term: **14 Years**

[21] Appl. No.: **544,481**

[22] Filed: **Jun. 27, 1990**

[52] U.S. Cl. .... **D23/266; D15/5**

[58] Field of Search ..... **55/385.3, DIG. 6; 138/107, 108; 285/9.1; 454/903; D23/266, 364, 365; D15/5, 6**

D. 293,796	1/1988	Nagy	.....	D15/5
D. 296,356	6/1988	Kanao	.....	D23/266
D. 298,051	10/1988	Matheson et al.	.....	D23/365
1,499,864	7/1924	Gordon	.....	D23/365 X
4,017,281	4/1977	Johnstone	.....	55/385.3 X
4,080,184	3/1978	Petersen	.....	55/385.3 X
4,469,490	9/1984	Wilson	.....	55/385.3 X
4,548,166	10/1985	Gest	.....	55/385.3 X
4,932,490	6/1990	Dewey	.....	55/385.3 X

*Primary Examiner*—James R. Largen

*Attorney, Agent, or Firm*—S. Michael Bender

### [57] CLAIM

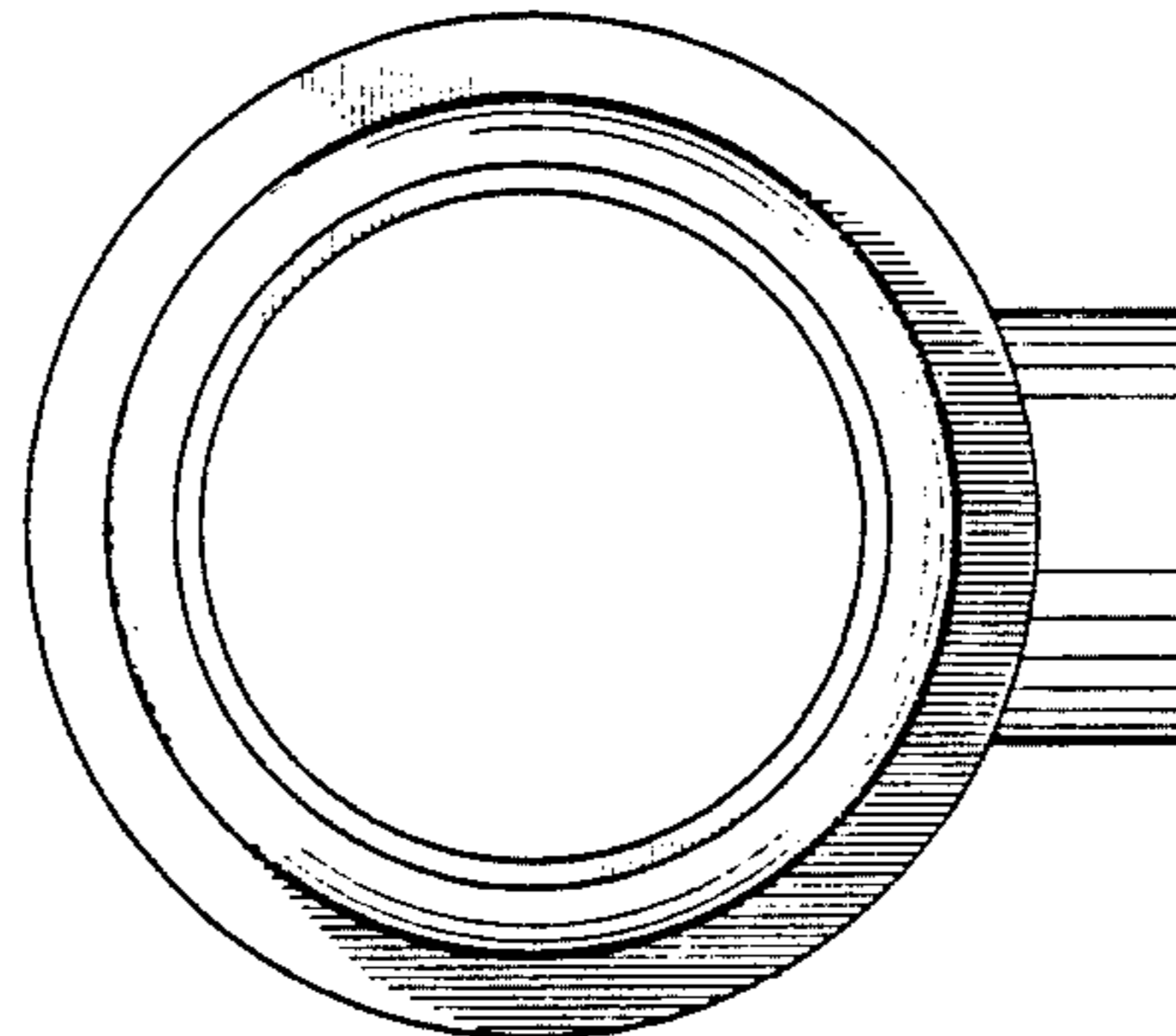
The ornamental design for a flexible duct for a vehicle air cleaner, as shown and described.

### DESCRIPTION

FIG. 1 is a front elevational view of the flexible duct for a vehicle air cleaner showing my new design;  
 FIG. 2 is a rear elevational view thereof;  
 FIG. 3 is an enlarged left side elevational view thereof;  
 FIG. 4 is an enlarged right side elevational view thereof;  
 FIG. 5 is a top plan view thereof; and,  
 FIG. 6 is a bottom plan view thereof.

[56] **References Cited**  
**U.S. PATENT DOCUMENTS**

D. 221,759	9/1971	Bauman et al.	.....	D23/266
D. 222,643	11/1971	Martin et al.	.....	D23/266
D. 228,952	10/1973	Bruderlin	.....	D15/5
D. 235,102	5/1975	Maroschak	.....	D23/266
D. 235,103	5/1975	Maroschak	.....	D23/266
D. 273,936	5/1984	Petersen	.....	D15/5
D. 283,621	4/1986	Gauer et al.	.....	D15/5



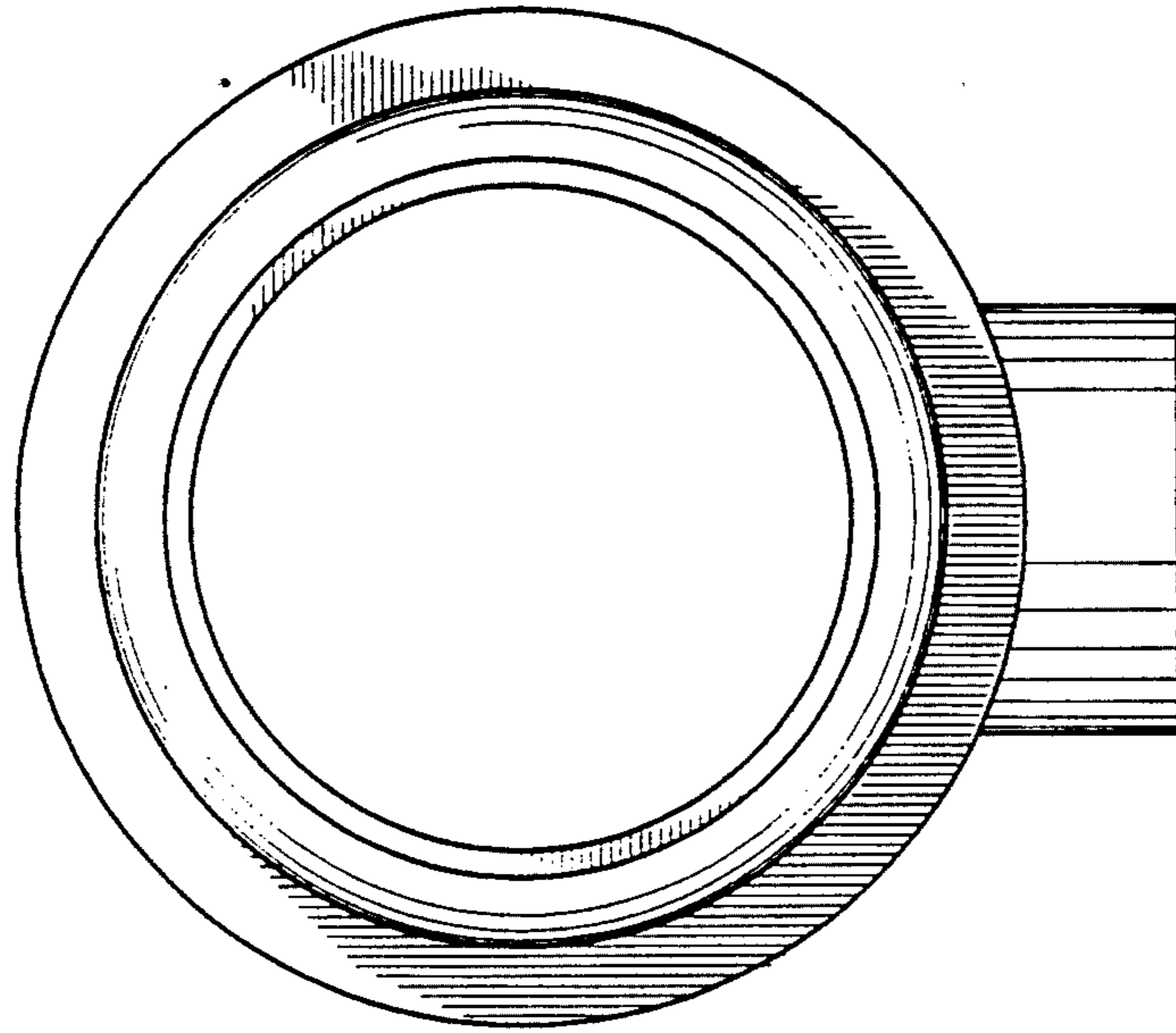
*FIG. 1*



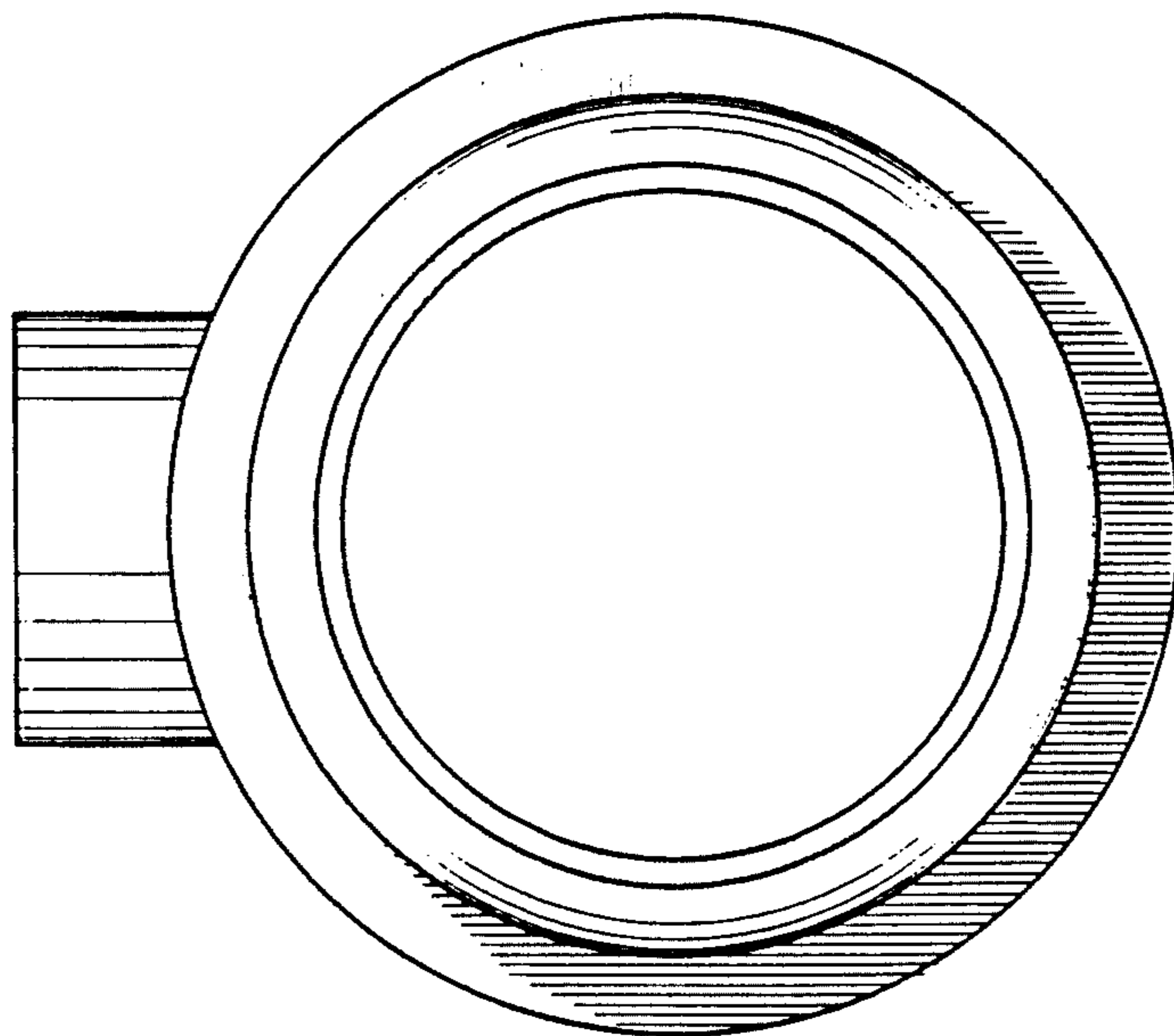
*FIG. 2*



*FIG. 3*



*FIG. 4*



*FIG. 5*



*FIG. 6*

