



US00D348508S

United States Patent [19]

[11] Patent Number: **Des. 348,508**

Yost

[45] Date of Patent: **** Jul. 5, 1994**

[54] LAVATORY FAUCET

[75] Inventor: **Hollis K. Yost, Santa Monica, Calif.**

[73] Assignee: **Emhart Inc., Newark, Del.**

[**] Term: **14 Years**

[21] Appl. No.: **914,061**

[22] Filed: **Jul. 16, 1992**

[52] U.S. Cl. **D23/238**

[58] Field of Search **137/606, 625.17, 801; 4/675-678; D23/238-243**

[56] References Cited

U.S. PATENT DOCUMENTS

D. 193,922	10/1962	Ross et al.	D23/238
D. 200,754	3/1965	Landell	D23/238
D. 203,324	12/1965	Landell .	
D. 204,441	4/1966	Harvey .	
D. 219,780	1/1971	Niemann	D23/238
D. 258,518	3/1981	Thevenot	D23/238
D. 291,234	8/1987	Bergmann et al.	D23/238
D. 291,235	8/1987	Bergmann et al.	D23/238
D. 291,590	8/1987	Bengtsson	D23/238
D. 293,816	1/1988	Bergmann	D23/238
D. 301,162	5/1989	Oberdorfer	D23/238
D. 309,655	7/1990	Reinecke	D23/238
D. 310,257	8/1990	Spangler	D23/238
D. 323,877	2/1992	Haug et al.	D23/238
D. 324,723	3/1992	Chretien	D23/238
D. 324,905	3/1992	Chretien	D23/238
D. 325,073	3/1992	Gottwald	D23/238
3,533,436	10/1970	Parkinson .	
3,893,482	7/1975	Loosp	137/625.17
4,552,171	11/1985	Farrell et al.	137/801 X
5,031,657	7/1991	Stairs	137/801 X

FOREIGN PATENT DOCUMENTS

DM001225 2/1982 Hague .

OTHER PUBLICATIONS

Domestic Engineering, Jun. 1961, p. 164, "Redesigned Fitting", item.

Domestic Engineering, Jul. 1964, p. 50, "Model 502" item.

U.S. Trademark Registration No. 1,808,996; Dec. 7, 1993.

American Standard P65 Catalog; Dresslyn Lavatories F 109-60; Model No. N2055, Mar. 1963.

Sweet's Catalog, 1977, Elkay Model No. LK-2212.

Sweet's Catalog, 1969, Delta Model Nos. 502 and 522.

New Valley Faucets Catalog, 1985.

Eljer Catalog, 1986, Model No. 557-1000.

Peerless Catalog, 1984, Model No. 8620.

Architecture World, 1992, three pages.

Bagno & Cucina, 1991, p. 42.

Denkwan Product Catalog (Flash), 1987-1988, p. 16.

Primary Examiner—James R. Largen

Attorney, Agent, or Firm—J. Bruce Hoofnagle

[57] CLAIM

The ornamental design for lavatory faucet, as shown and described.

DESCRIPTION

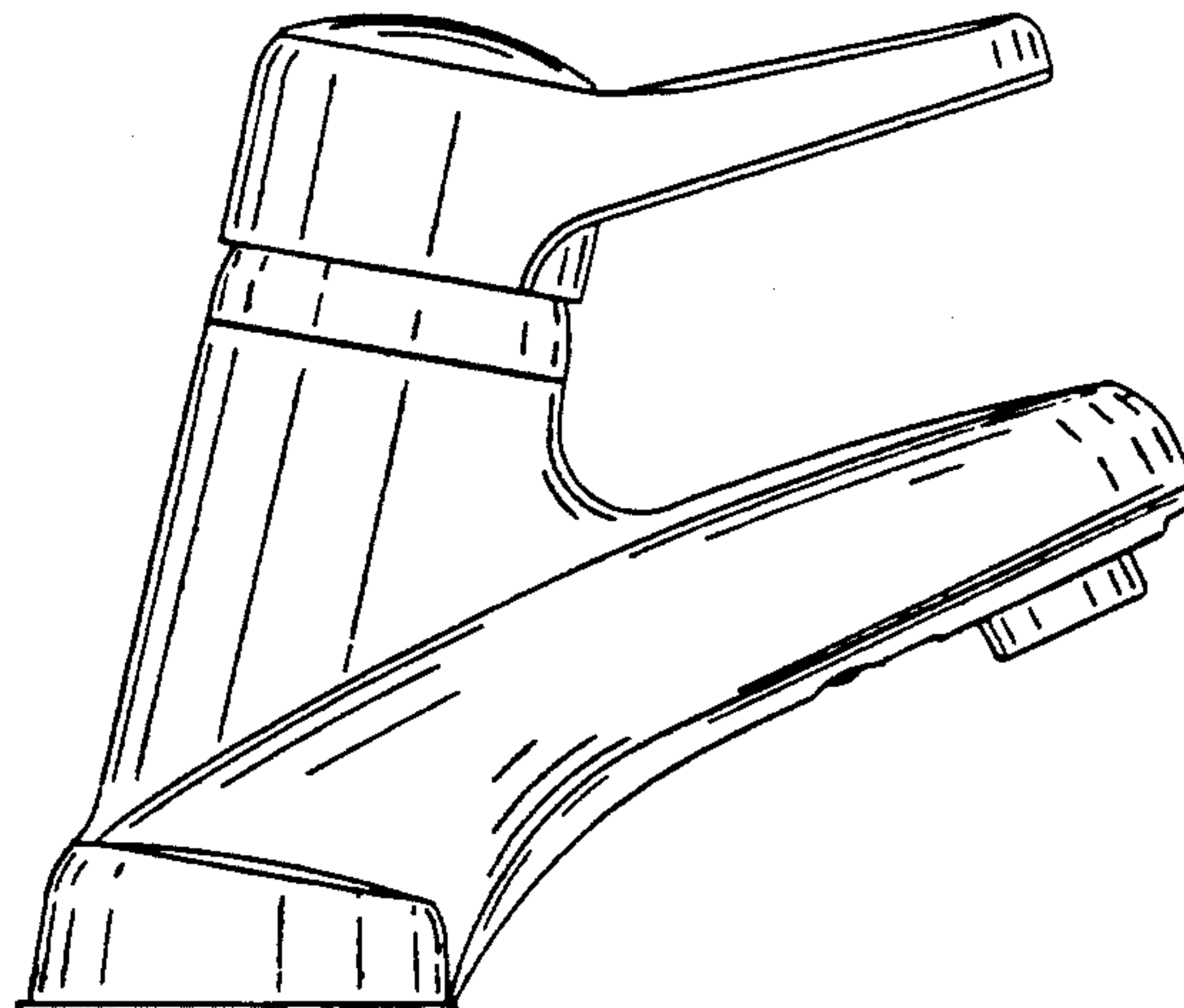
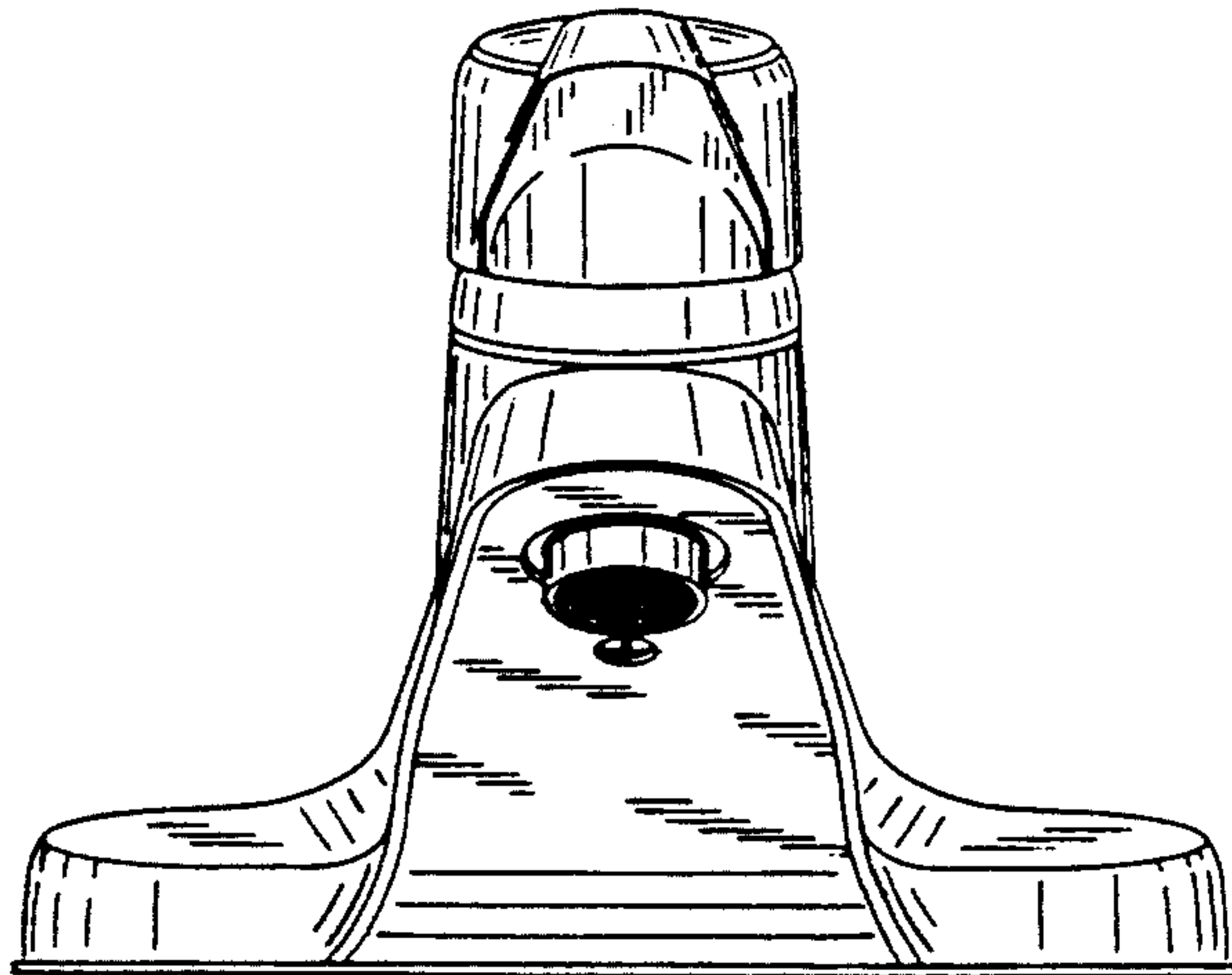
FIG. 1 is a front elevational view of a lavatory faucet showing my new design;

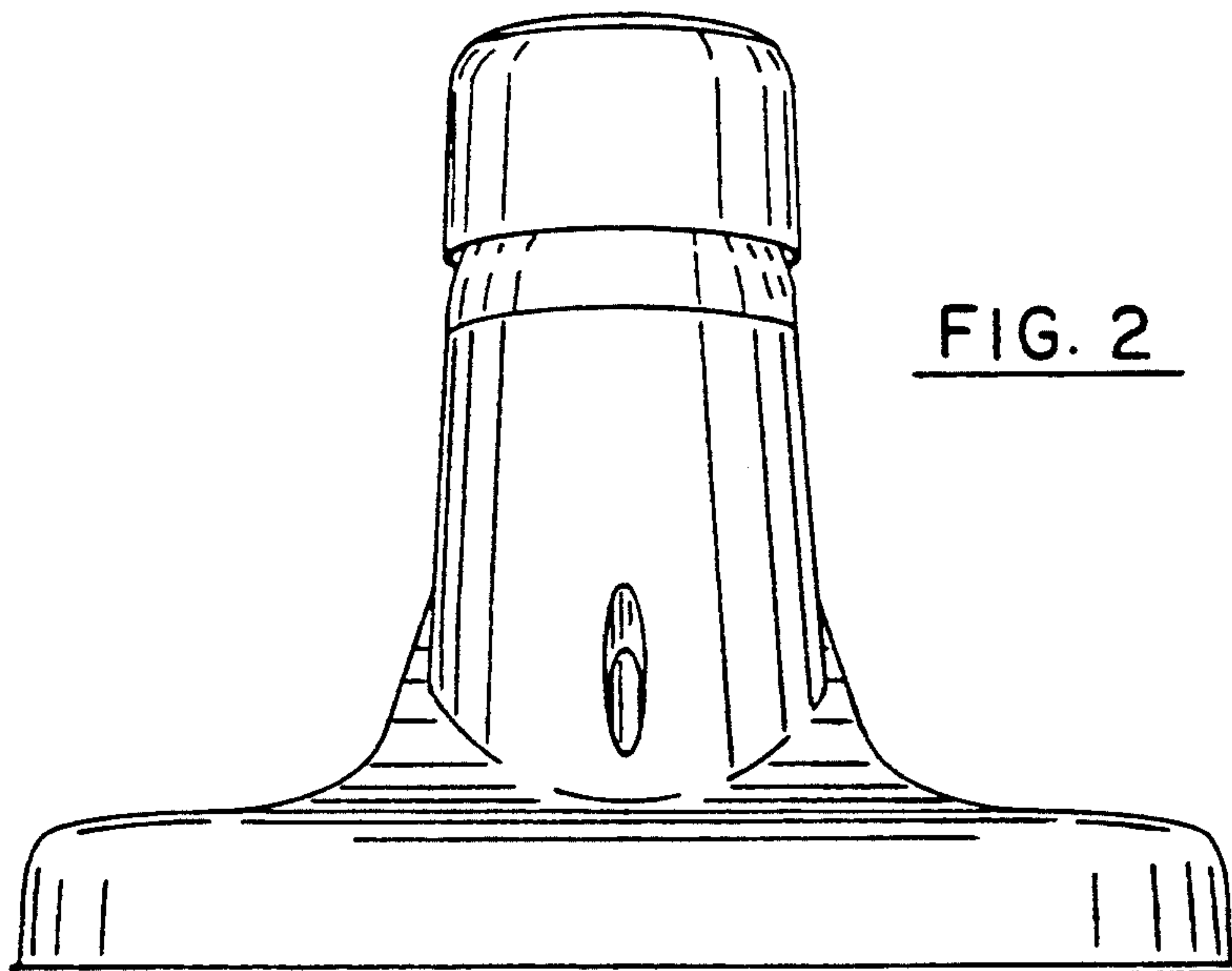
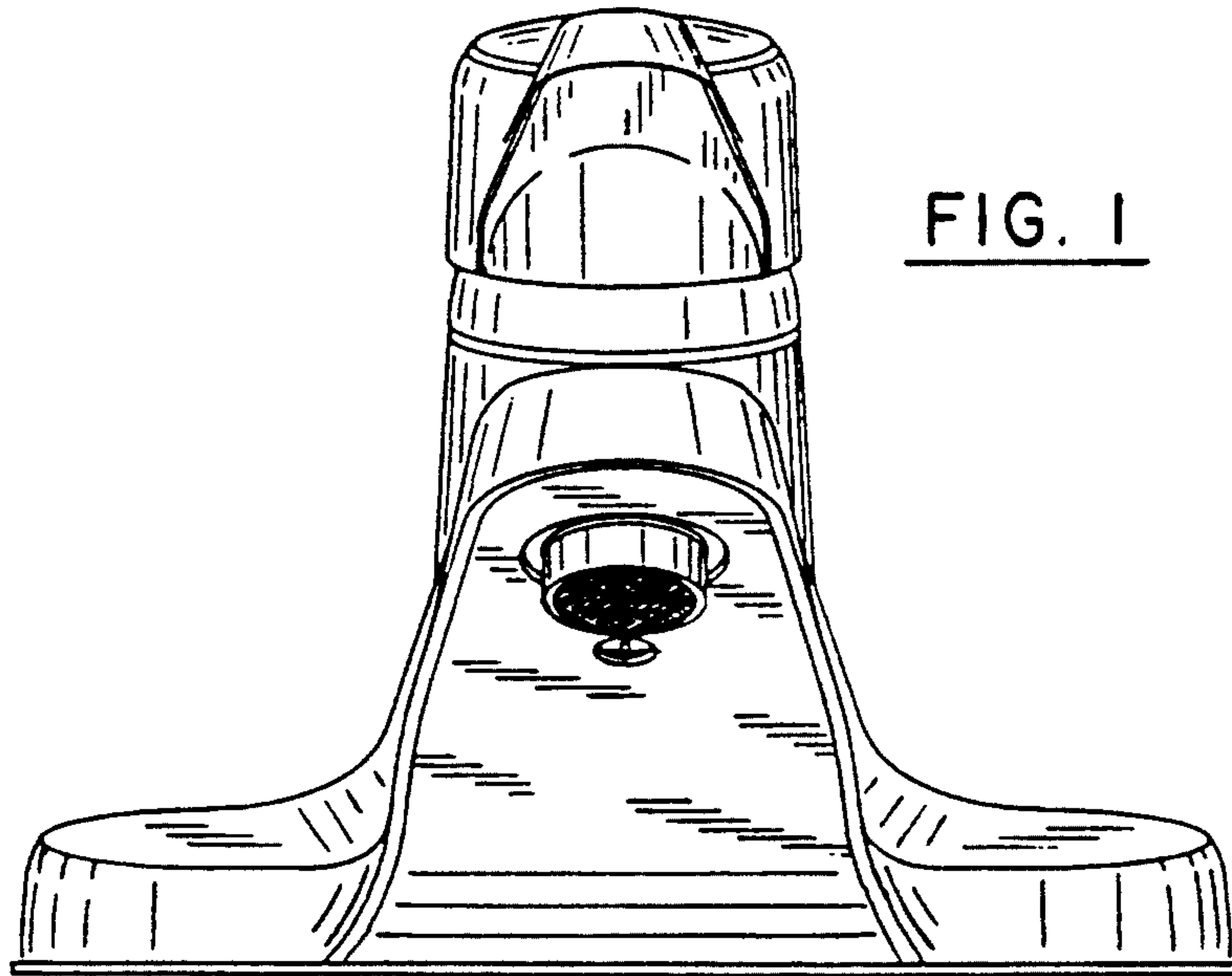
FIG. 2 is a rear elevational view thereof;

FIG. 3 is a left side elevational view thereof, the right side being a mirror image of the left side;

FIG. 4 is a top plan view thereof; and,

FIG. 5 is a bottom plan view thereof.





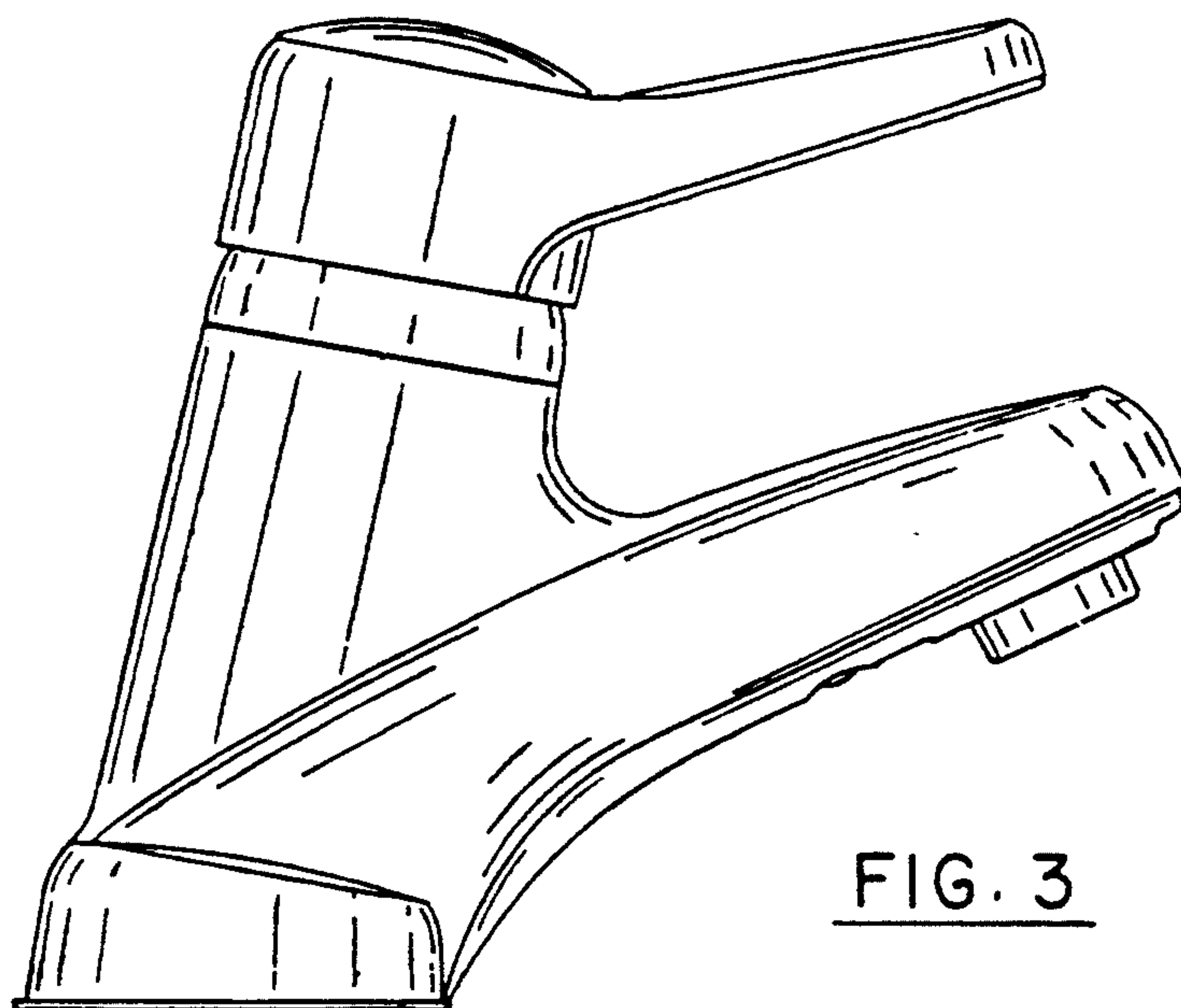


FIG. 3

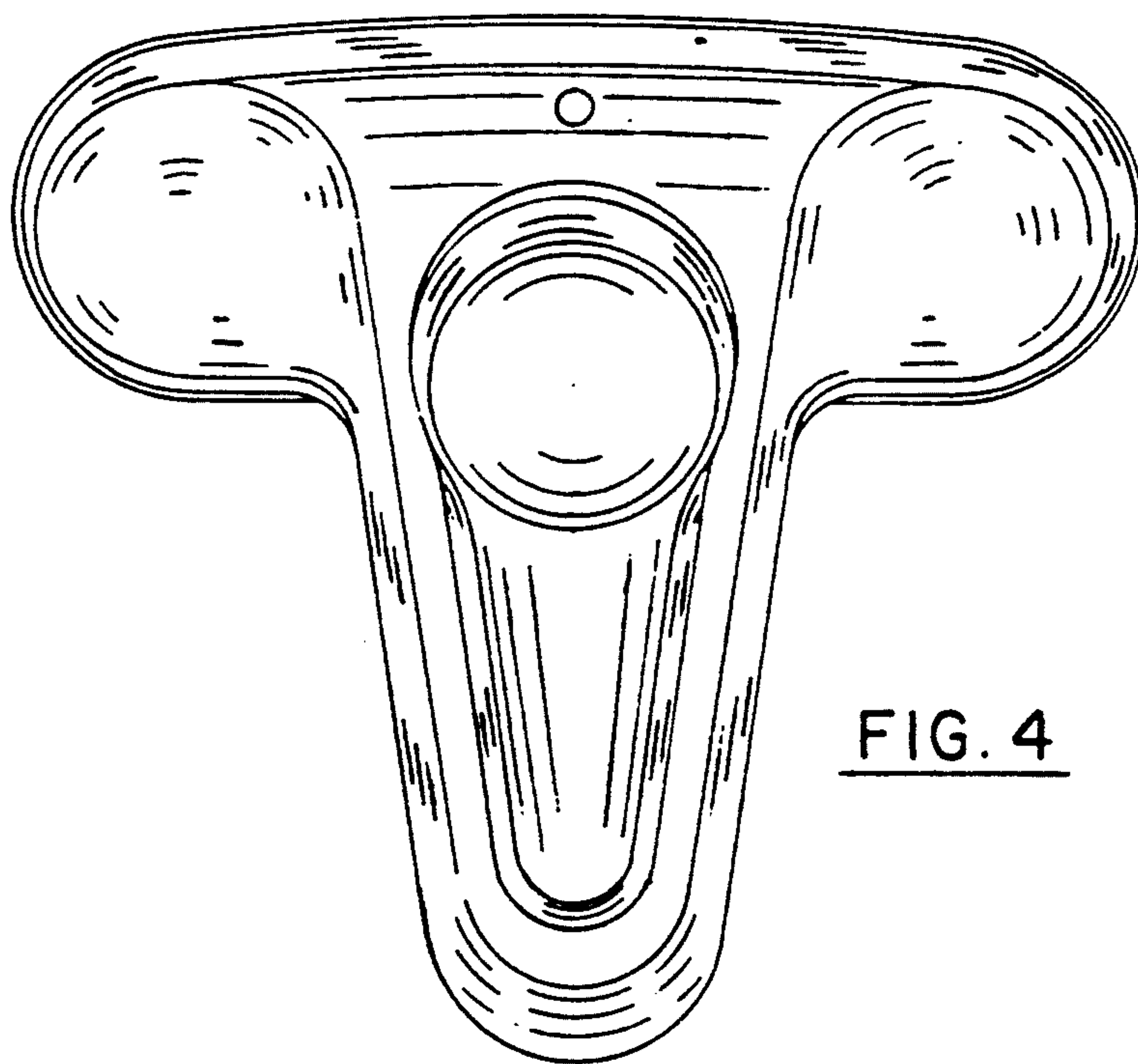


FIG. 4

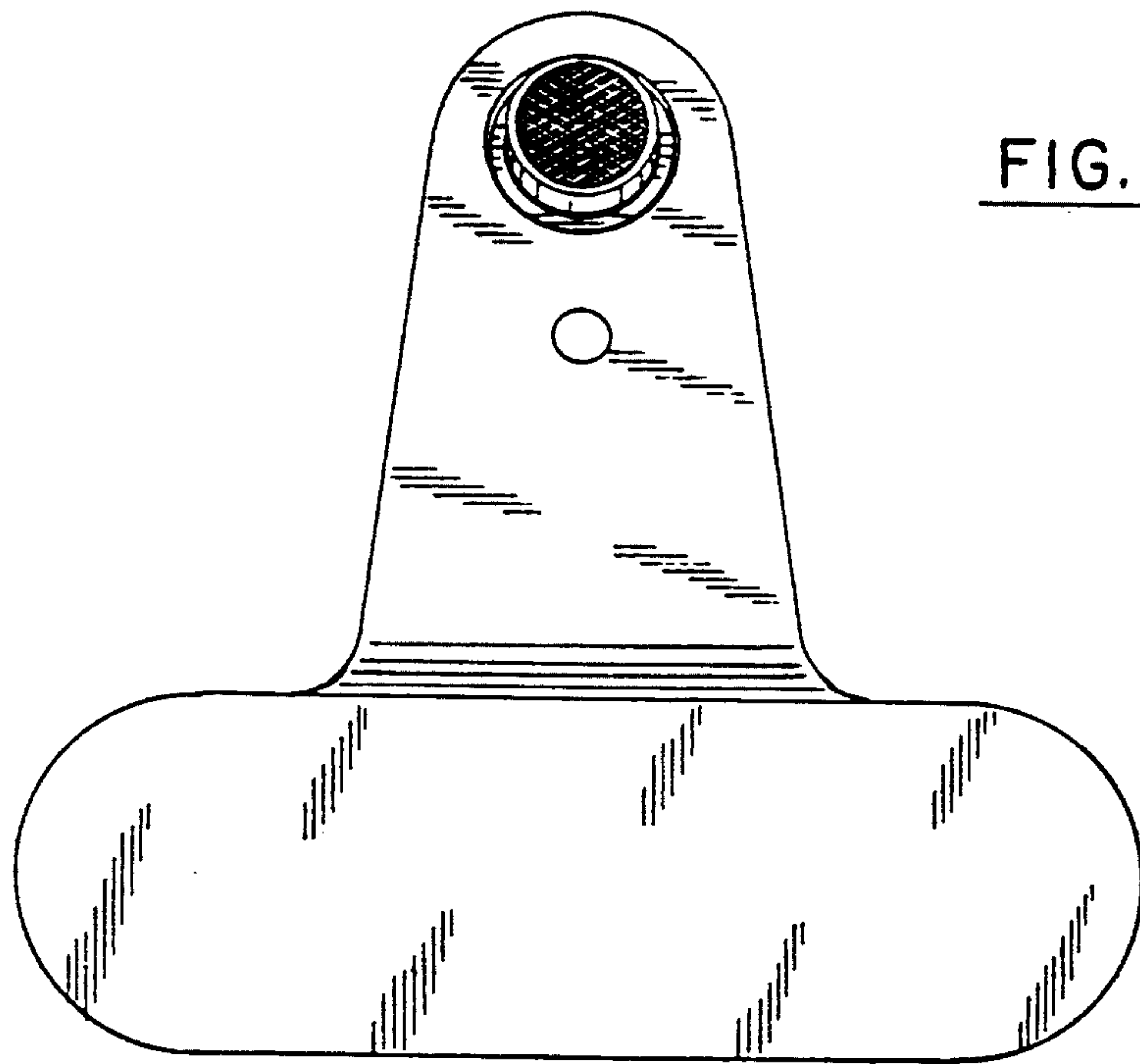


FIG. 5