



US00D348507S

United States Patent [19]

[11] Patent Number: **Des. 348,507**

Plonka

[45] Date of Patent: **** Jul. 5, 1994**

[54] **PROPANE TANK ADAPTER VALVE**

[76] Inventor: **Skip M. Plonka, 7 S 065 Suffield CT
Unit #106, Westmont, Ill. 60559**

[**] Term: **14 Years**

[21] Appl. No.: **1,426**

[22] Filed: **Nov. 13, 1992**

[52] U.S. Cl. **D23/233**

[58] Field of Search **D7/398; 137/125, 412,
137/801; 251/148, 309; D23/233-237, 244-249**

4,126,023 11/1978 Smith et al. **D23/245 X**
4,239,185 12/1980 Lowe **251/309 X**

Primary Examiner—Stella Reid
Assistant Examiner—Eric Waterson
Attorney, Agent, or Firm—Terry M. Gernstein

[57] **CLAIM**

The ornamental design for a propane tank adapter valve, as shown and described.

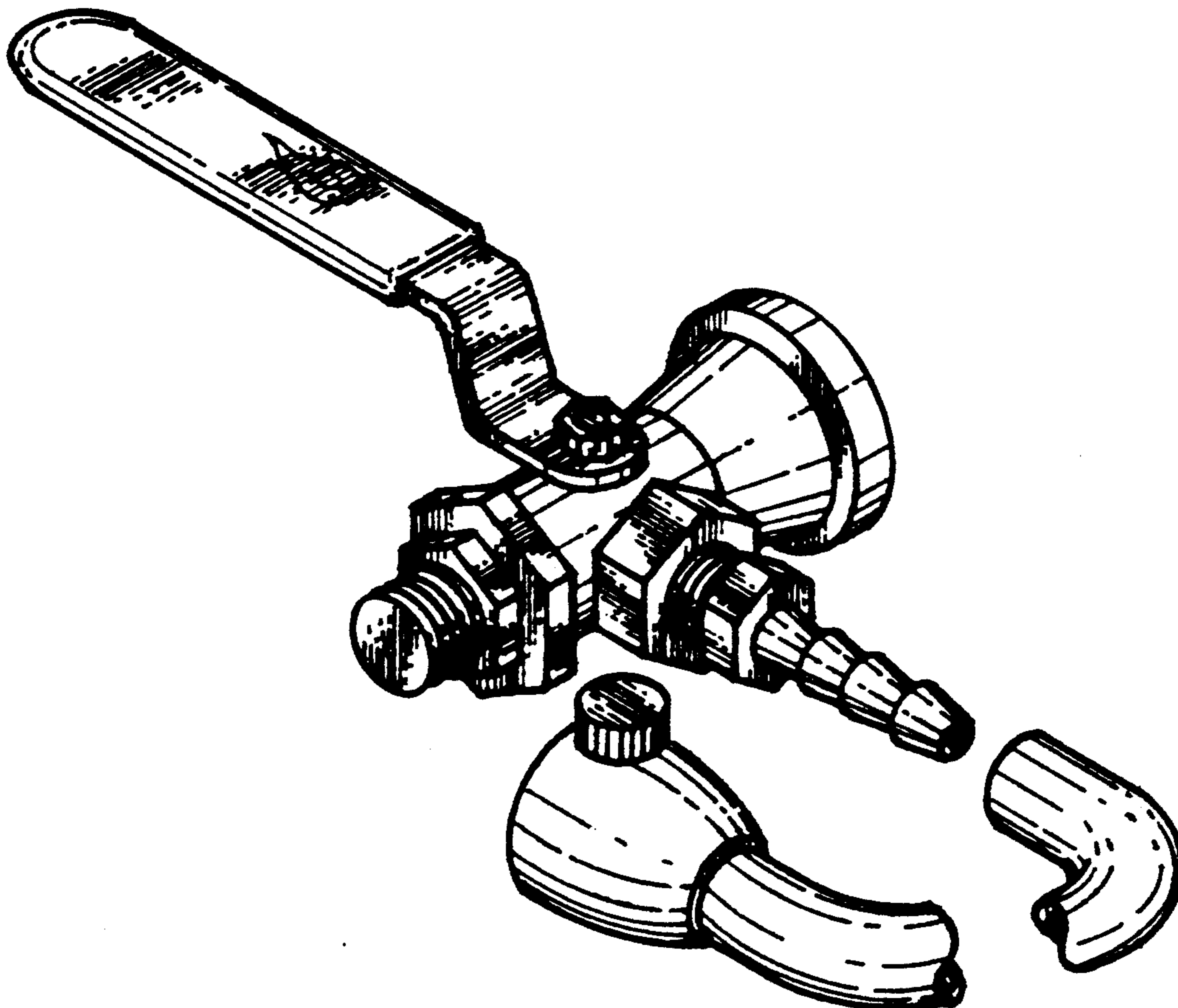
DESCRIPTION

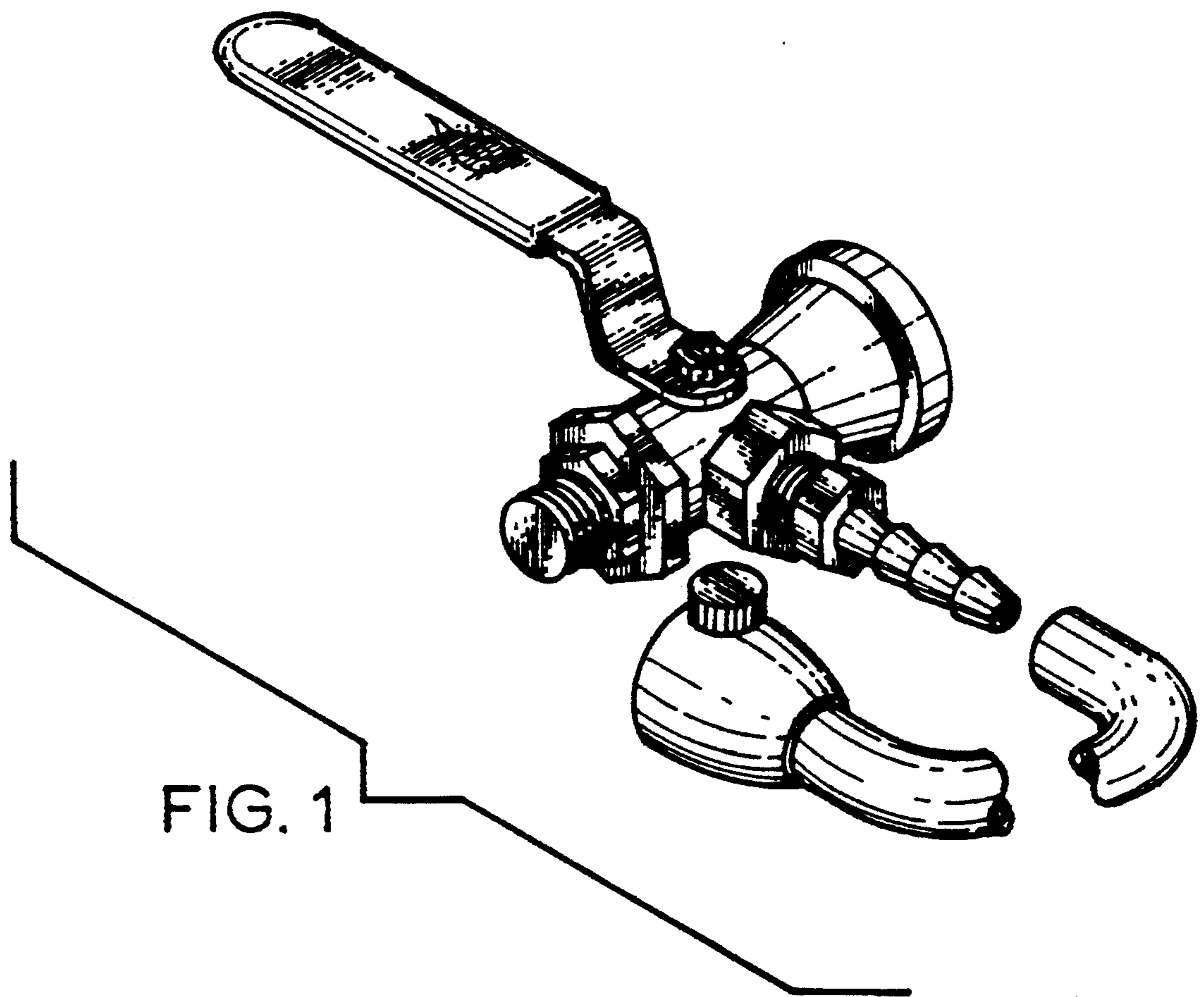
FIG. 1 is a perspective view of the propane tank adapter valve embodying the design of the present invention; FIG. 2 is a front elevational view thereof; FIG. 3 is a rear elevational view thereof; FIG. 4 is a side elevational view thereof; FIG. 5 is a side elevational view thereof; FIG. 6 is a top plan view thereof; and, FIG. 7 is a bottom view thereof.

[56] **References Cited**

U.S. PATENT DOCUMENTS

D. 257,286	10/1980	Folkman	D23/245 X
D. 297,354	8/1988	Wirth	D23/245
1,544,651	7/1925	Klinert	D7/337
1,587,157	6/1926	Hull	D7/337
3,424,430	10/1966	Hoelsch	251/148





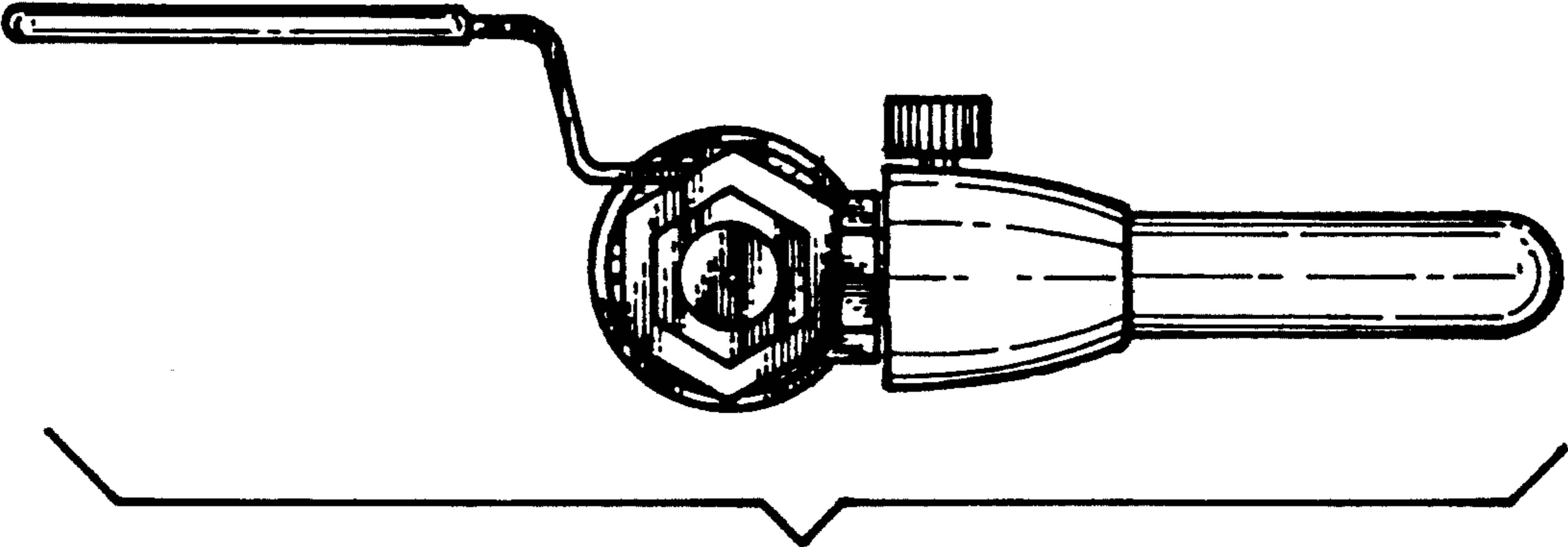


FIG. 2

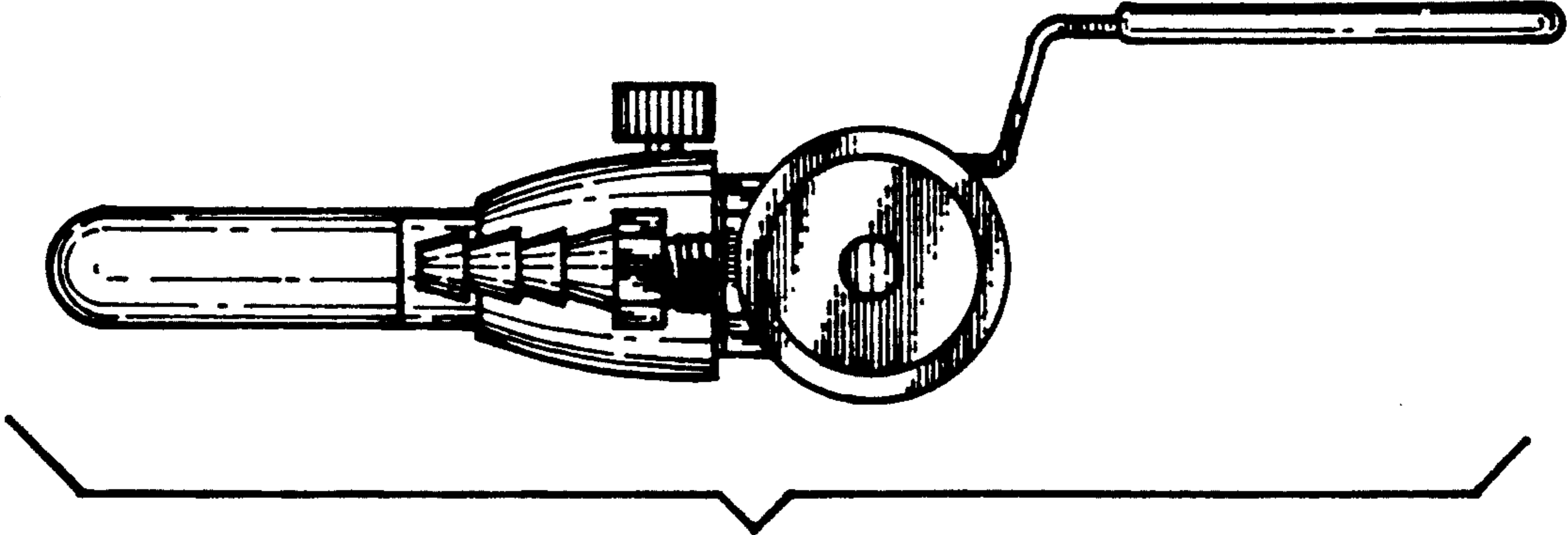


FIG. 3

FIG. 4

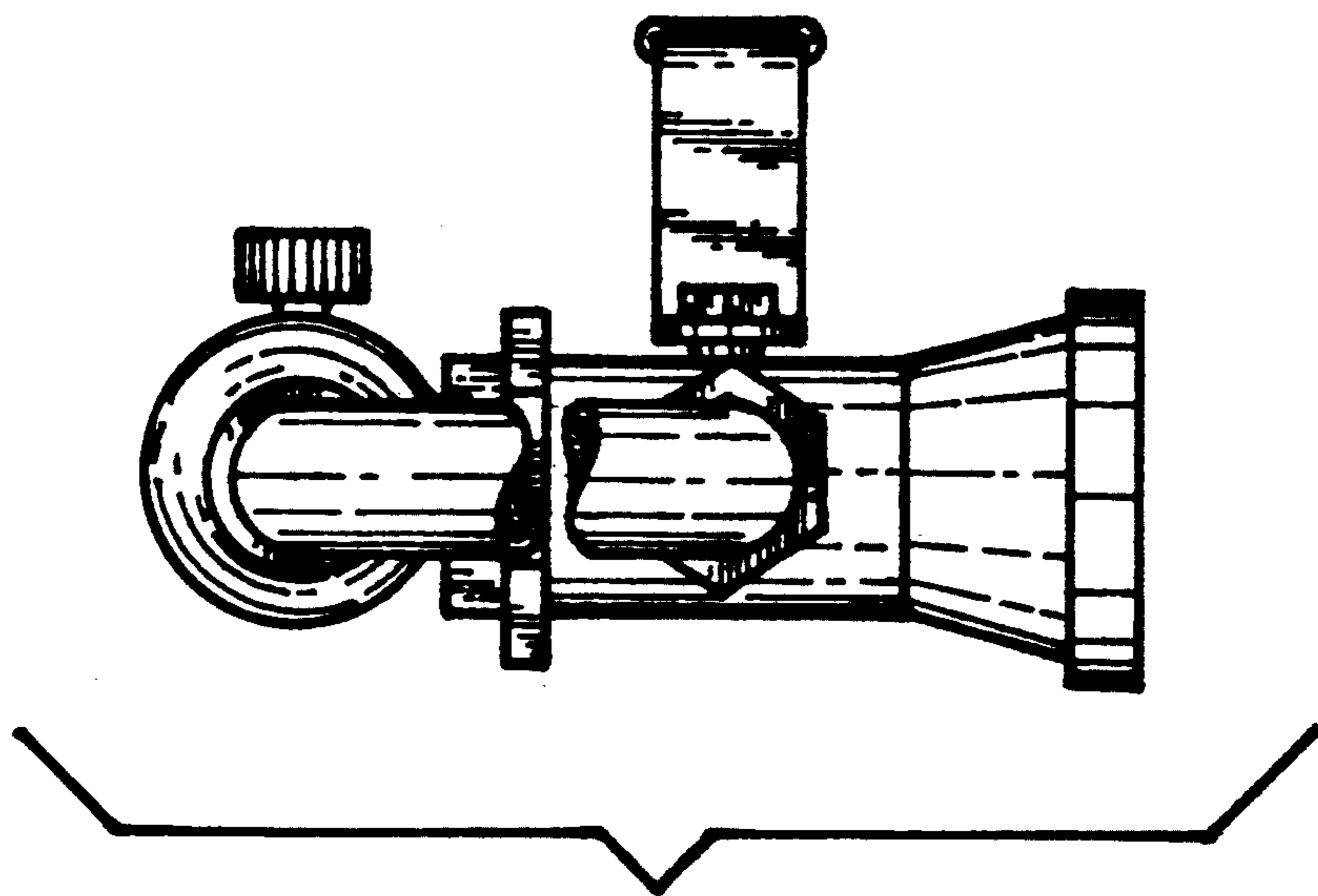
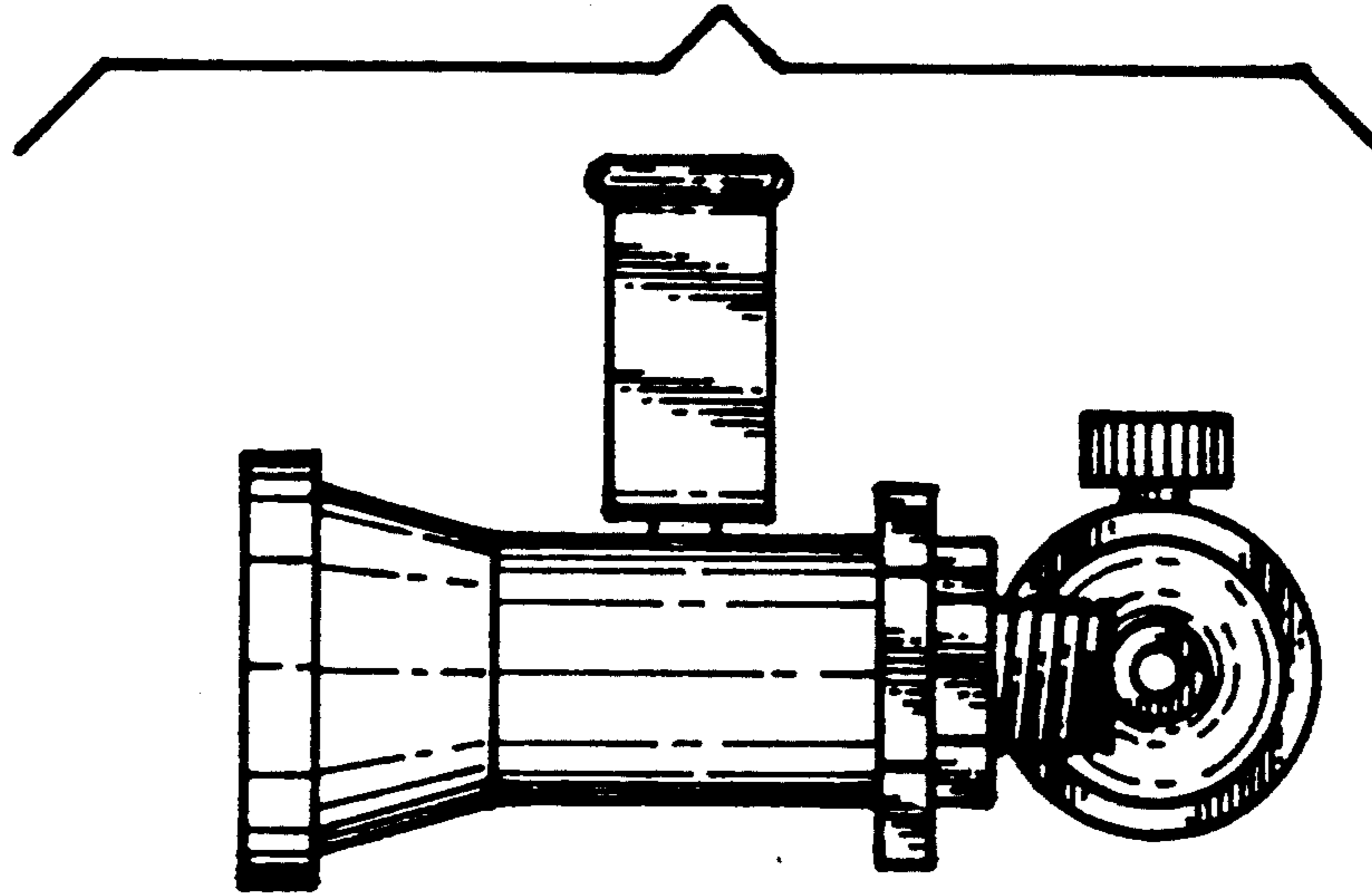


FIG. 5

FIG. 6

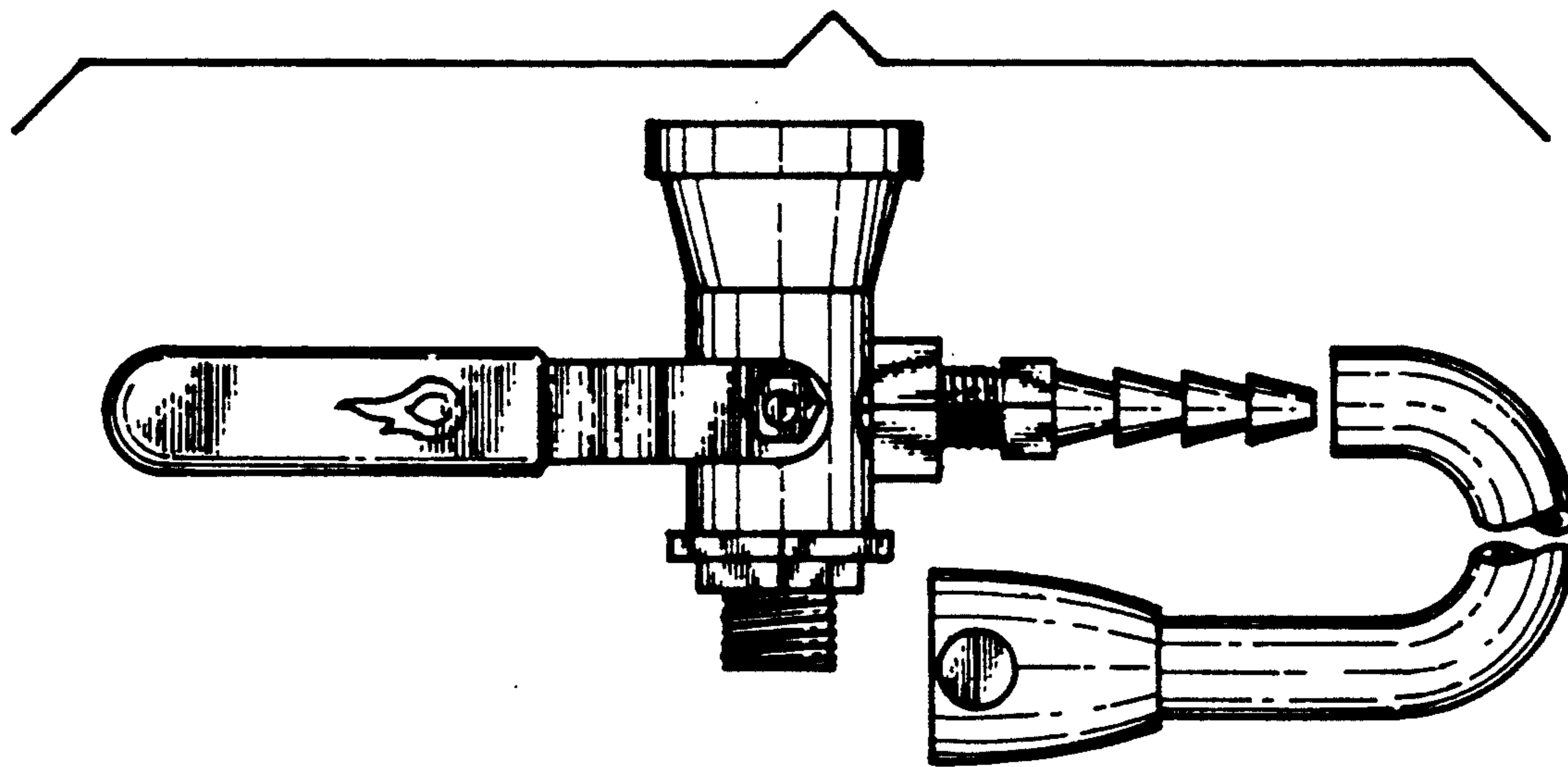


FIG. 7

