



US00D348506S

# United States Patent [19]

[11] Patent Number: **Des. 348,506**

**Stachowiak**

[45] Date of Patent: **\*\* Jul. 5, 1994**

[54] **ON-OFF VALVE**

[75] Inventor: **Krzysztof Stachowiak, Venice, Calif.**

[73] Assignee: **America Safety Flight System, Inc., Glendale, Calif.**

[\*\*] Term: **14 Years**

[21] Appl. No.: **741,017**

[22] Filed: **Aug. 6, 1991**

[52] U.S. Cl. .... **D23/245**

[58] Field of Search ..... **251/309; 137/556, 556.3, 137/556.6; D23/233-237, 244-249**

D. 297,254	8/1988	Odate et al. ....	D23/248
D. 299,520	1/1989	Peehler .....	D23/245
D. 300,271	3/1989	Rudolph et al. ....	D29/7
D. 300,272	3/1989	Rudolph et al. ....	D29/7
D. 305,165	12/1989	Rudolph et al. ....	D29/7
3,931,954	1/1976	Guzzetta .....	251/309 X
4,031,918	6/1977	Coate .....	251/309 X
5,100,103	3/1992	Conley et al. ....	251/309

*Primary Examiner*—James R. Largen

[57] **CLAIM**

The ornamental design for an on-off valve, as shown.

**DESCRIPTION**

FIG. 1 is a perspective view taken from the top, front and right side of an on-off valve showing my new design;

FIG. 2 is a right side elevational view thereof;

FIG. 3 is a left side elevational view thereof;

FIG. 4 is a top plan view thereof;

FIG. 5 is a front elevational view thereof;

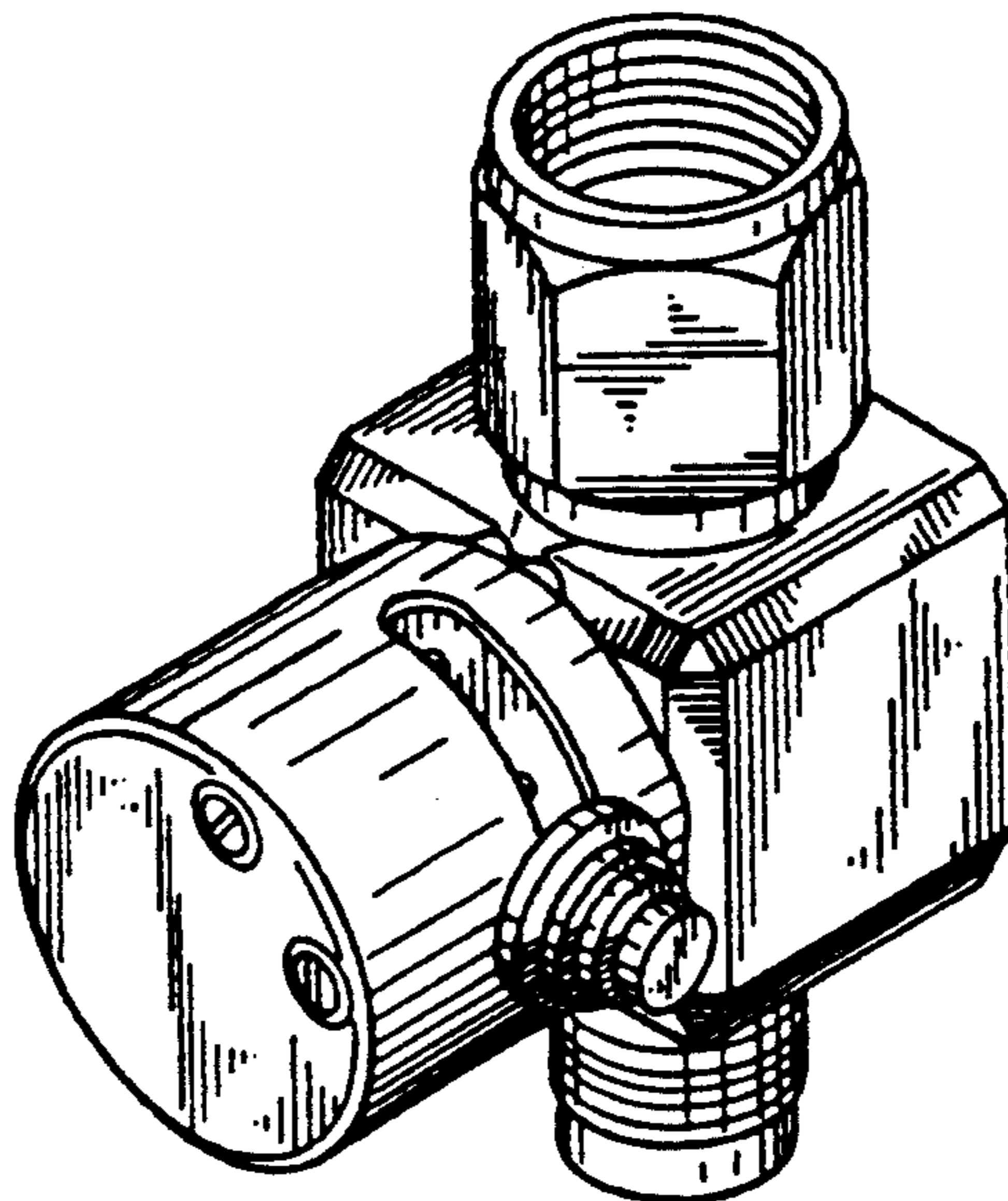
FIG. 6 is a rear elevational view thereof; and,

FIG. 7 is a bottom plan view thereof.

[56] **References Cited**

**U.S. PATENT DOCUMENTS**

D. 218,519	8/1970	Mese .....	D23/248
D. 219,777	1/1971	Mese .....	D23/247
D. 237,968	12/1975	Olson, Jr. ....	D23/249
D. 257,286	10/1980	Folkman .....	D23/245
D. 283,204	4/1986	McDonald .....	D23/262 X
D. 291,826	9/1989	Maddock .....	D23/245



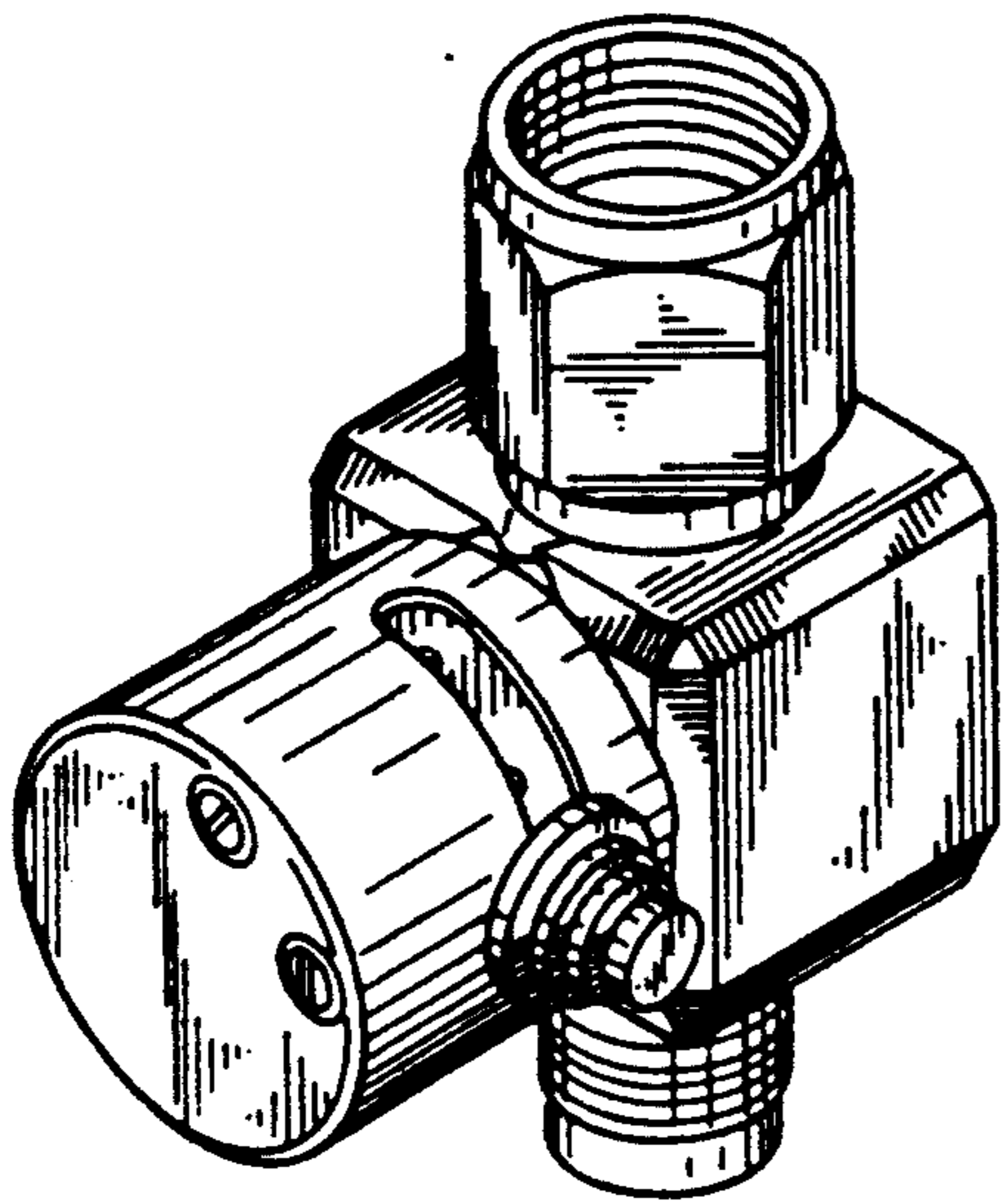


FIG. 1

FIG. 2

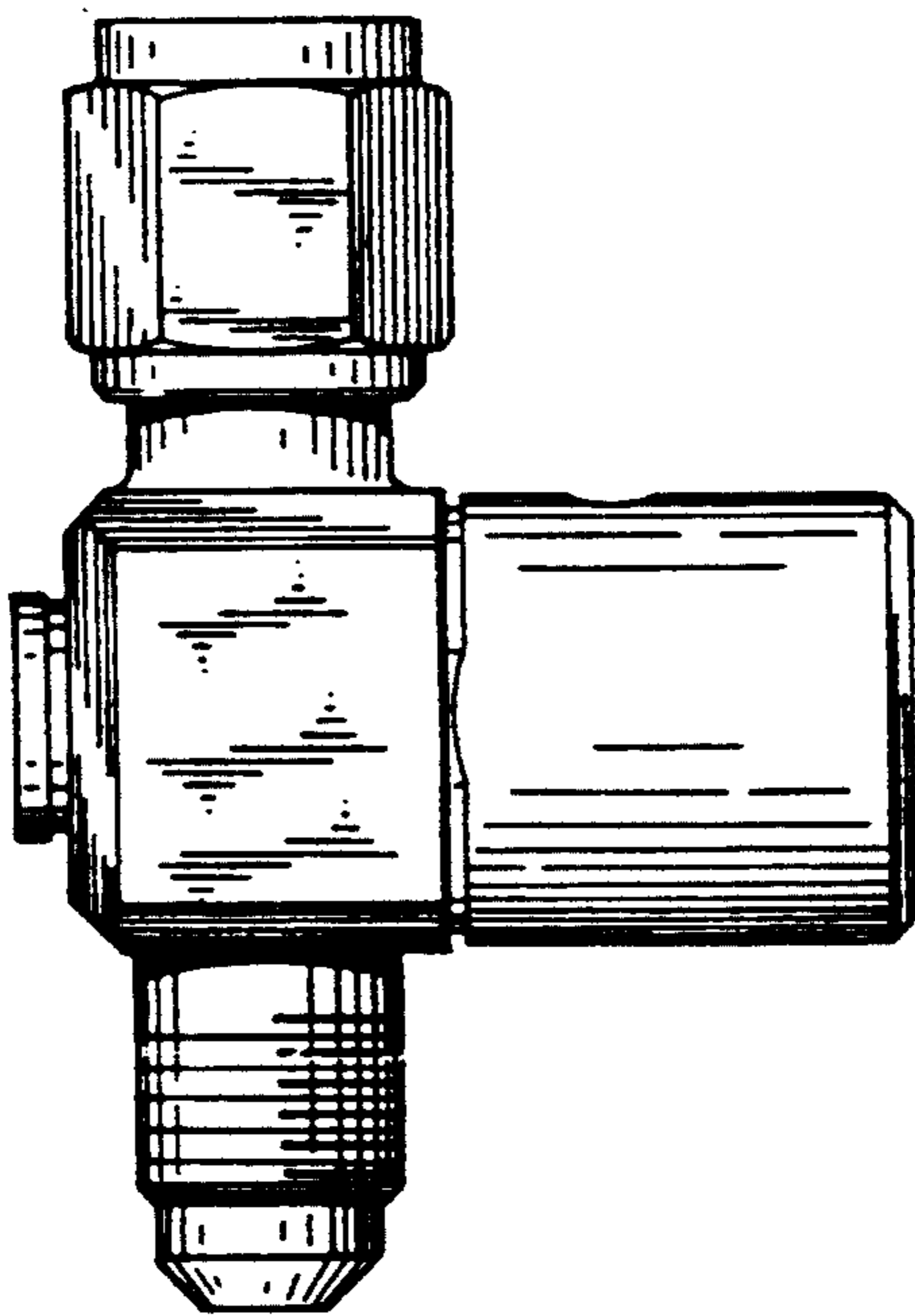
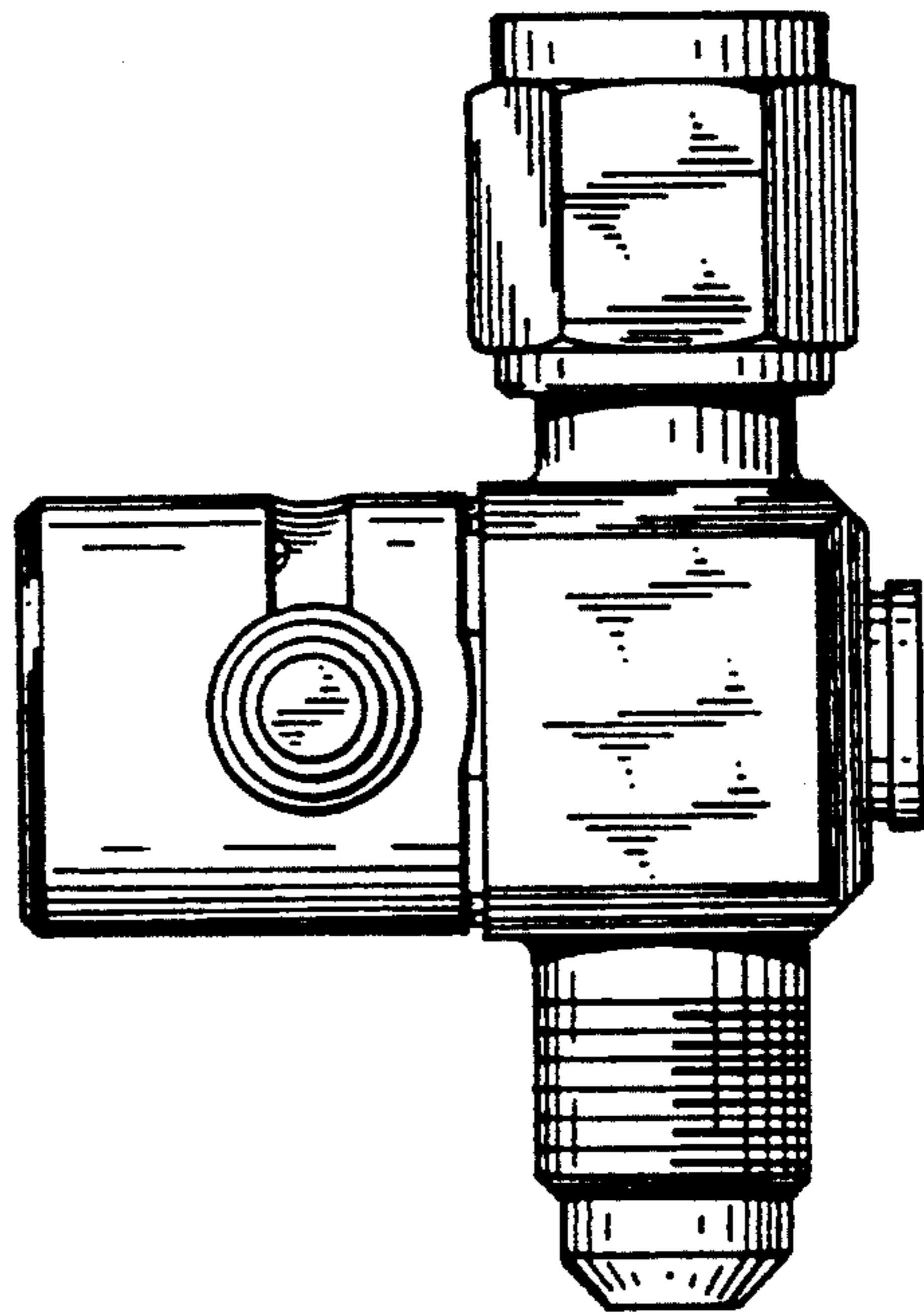


FIG. 3

FIG. 4

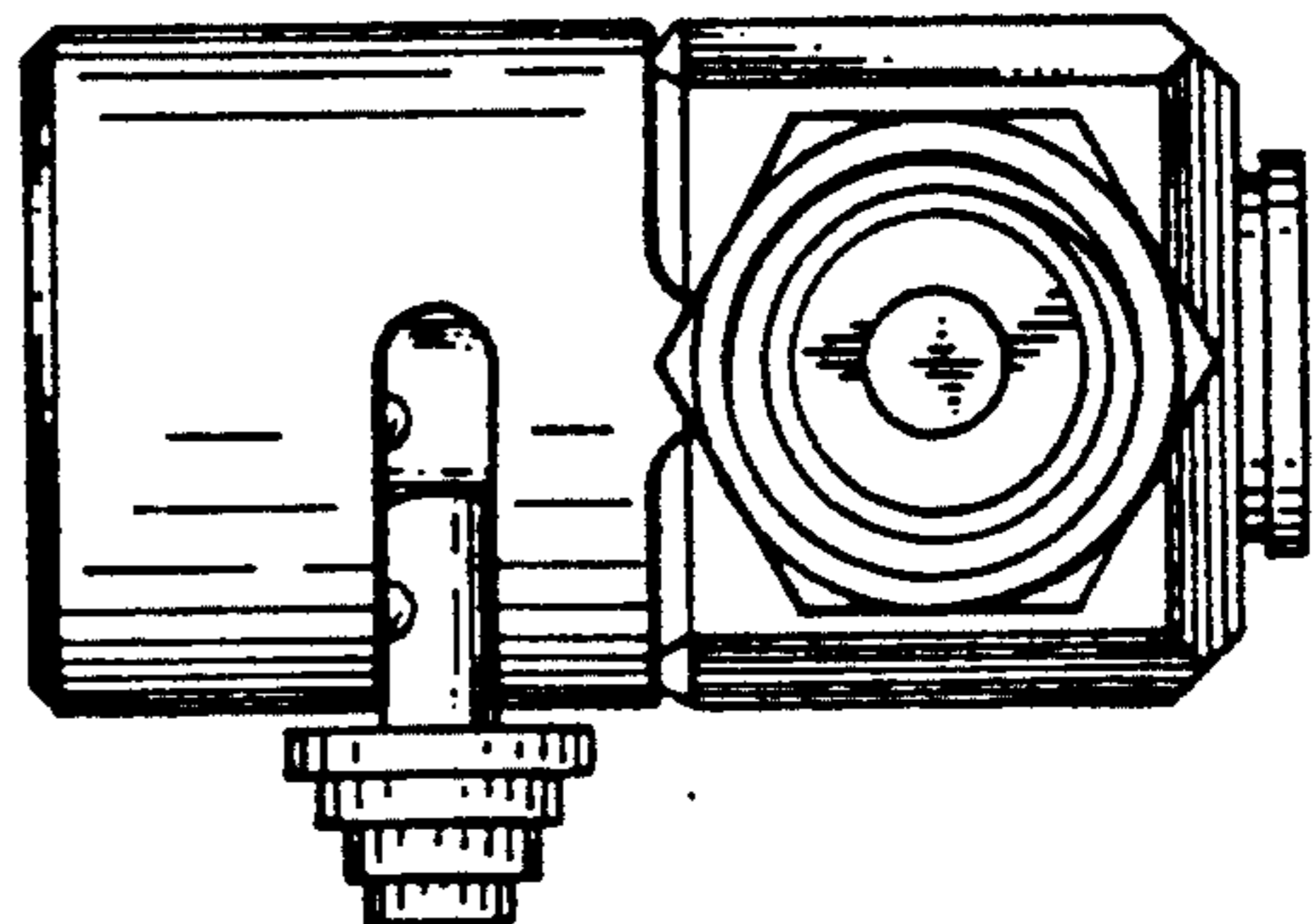


FIG. 5

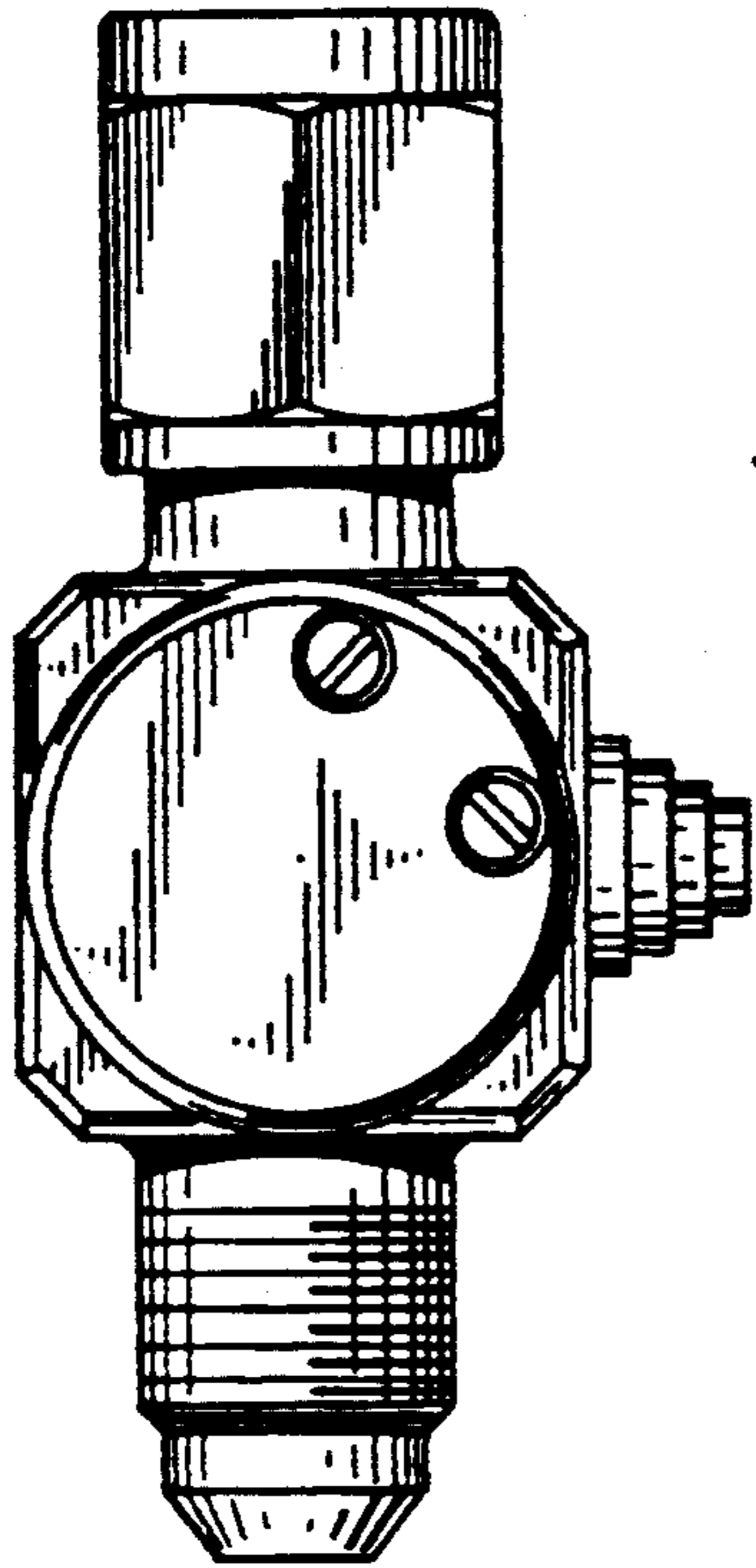


FIG. 6

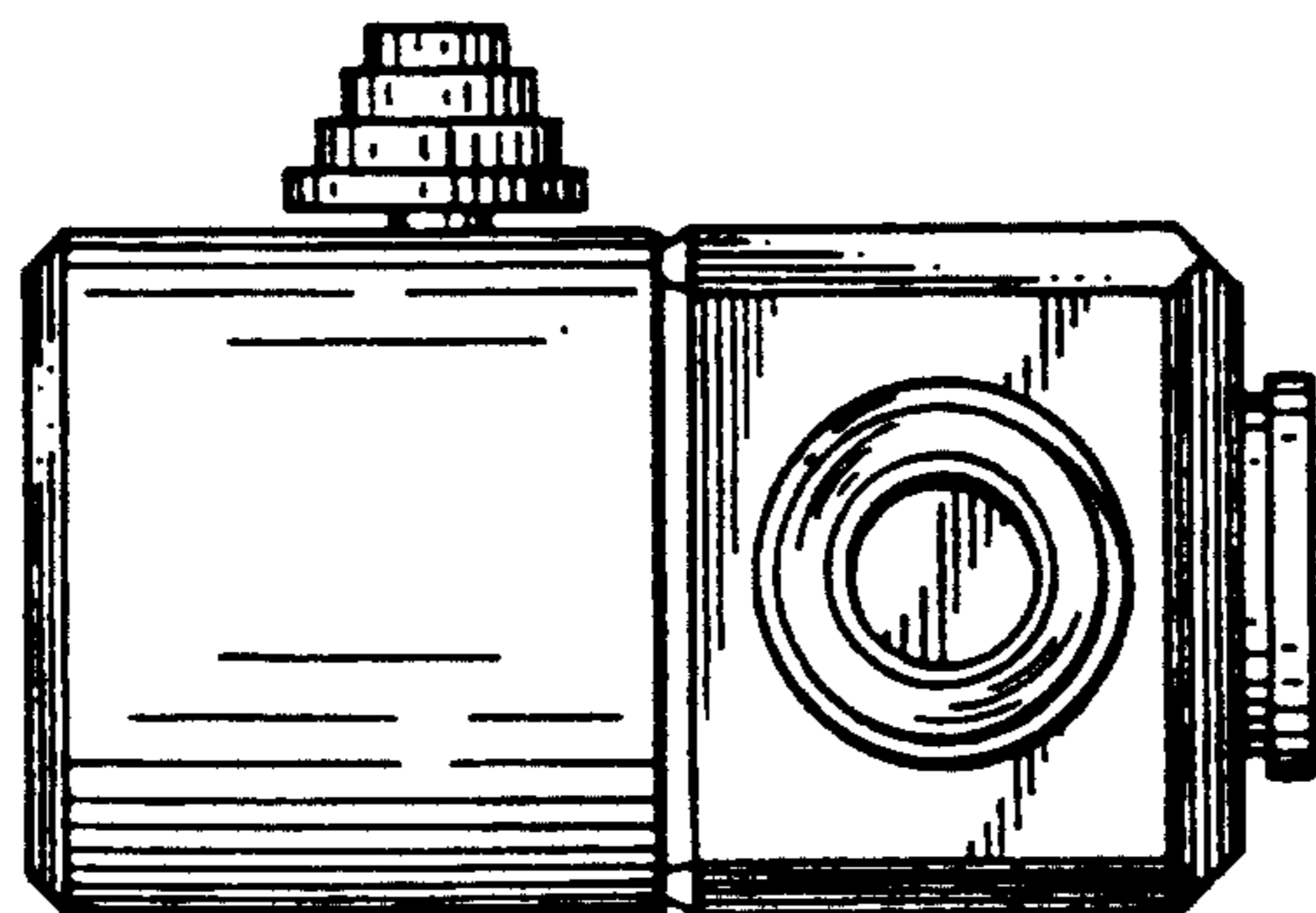
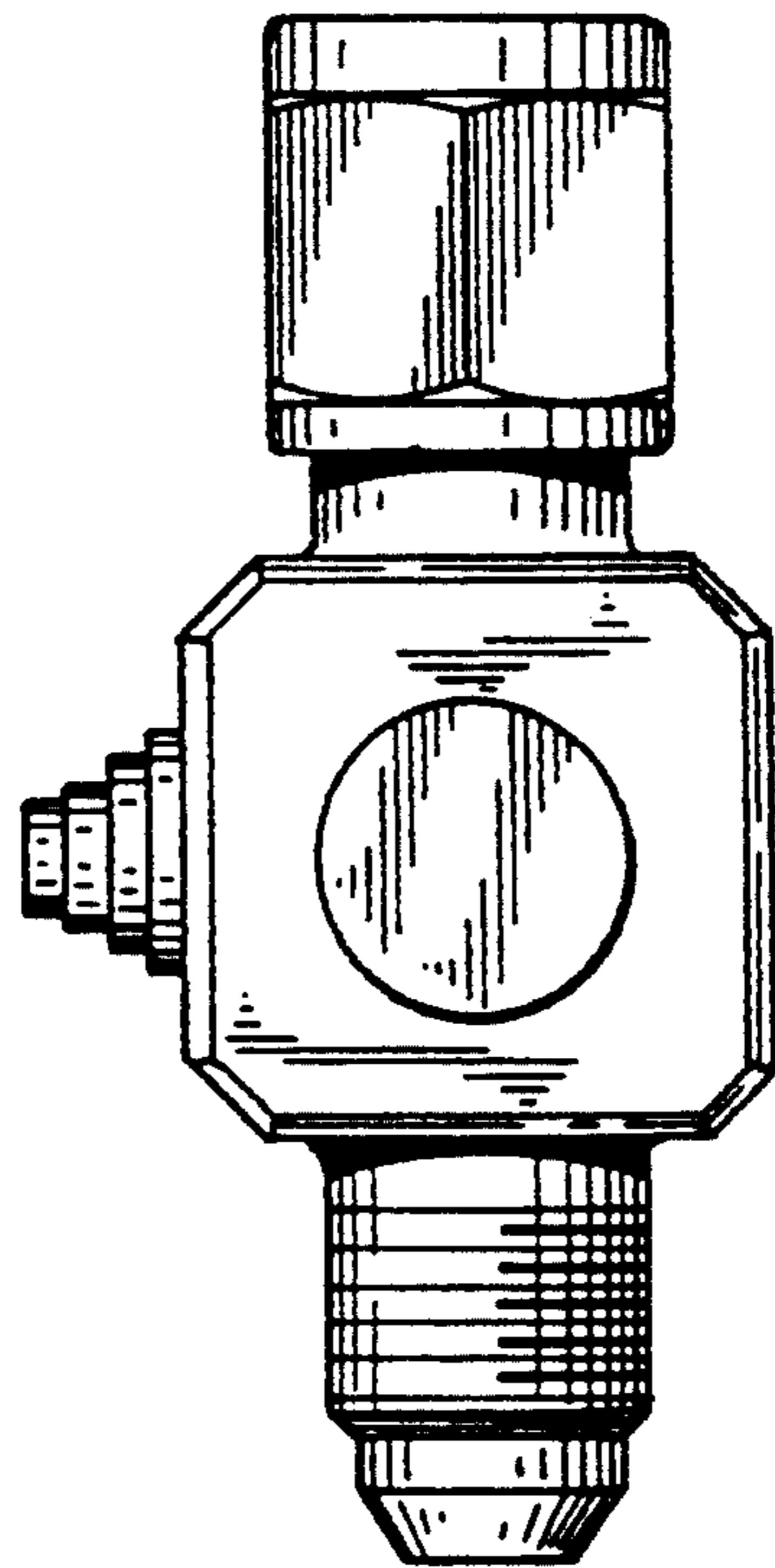


FIG. 7