



US00D348503S

United States Patent [19]

[11] Patent Number: **Des. 348,503**

Claveau

[45] Date of Patent: **** Jul. 5, 1994**

[54] **TOOL FOR LOADING AND UNLOADING CARTRIDGES FROM A FIREARM MAGAZINE**

4,304,062 12/1981 Pepe et al. 42/87
4,872,279 10/1989 Boat 42/87 X
5,129,173 7/1992 Kuykendal 42/87 X

[76] Inventor: **Gerard A. Claveau**, 10799 Hemlock Ave., Hesperia, Calif. 92345

Primary Examiner—A. Hugo Word
Assistant Examiner—Doris V. Coles
Attorney, Agent, or Firm—Knobbe, Martens, Olson & Bear

[**] Term: **14 Years**

[21] Appl. No.: **10,628**

[57] **CLAIM**

[22] Filed: **Aug. 3, 1993**

The ornamental design for a tool to load and unload cartridges from a firearm magazine, as shown and described.

[52] U.S. Cl. **D22/108; D22/199**

[58] Field of Search 42/88, 87, 90; D22/108, D22/199

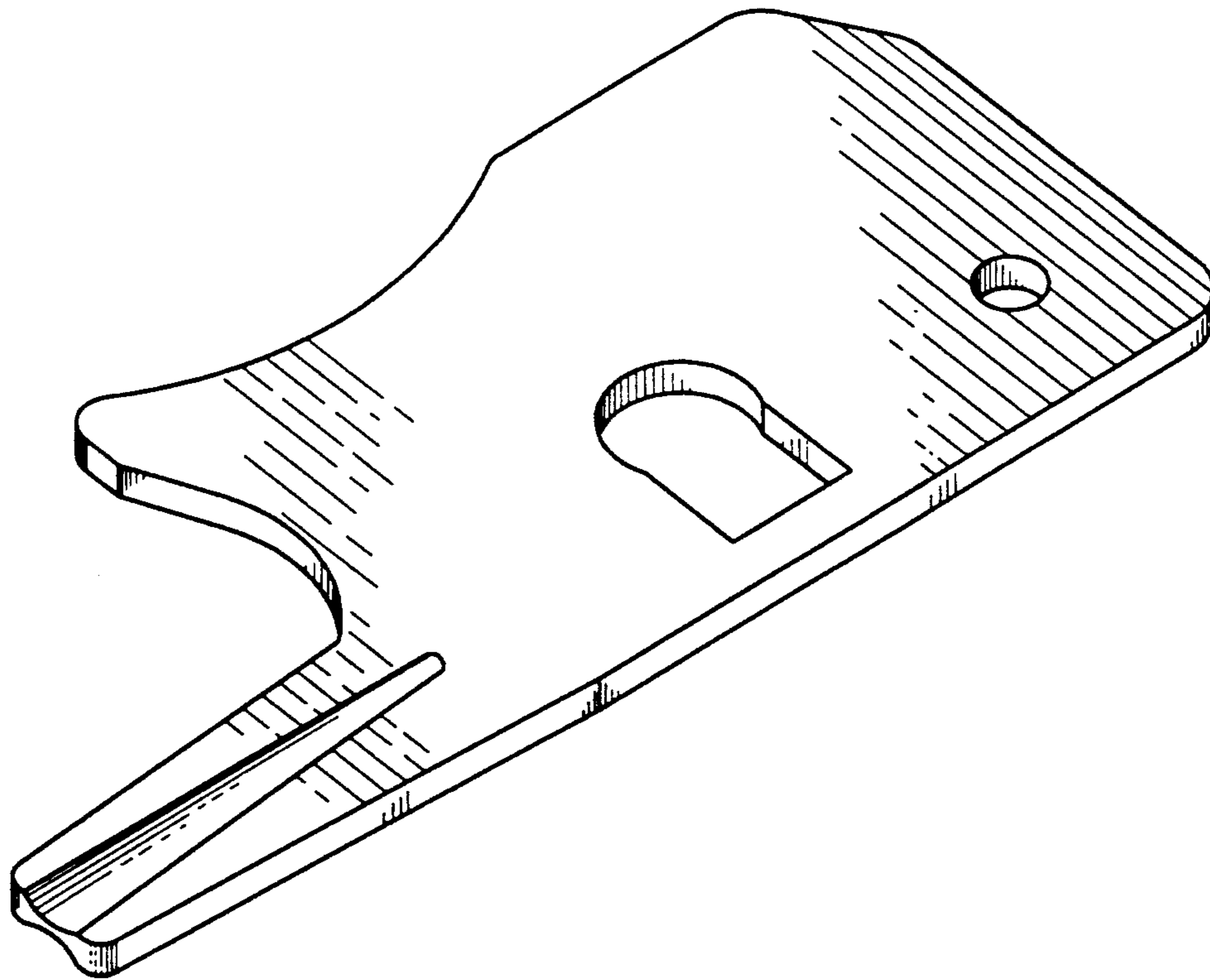
DESCRIPTION

[56] **References Cited**

U.S. PATENT DOCUMENTS

D. 271,321	11/1983	Ciciliot et al.	D22/108
D. 282,680	2/1986	Boyles	D22/108 X
D. 300,549	4/1989	Crow	D22/108
912,643	2/1909	Bengtson	42/87
3,509,655	5/1970	Wilttelm	42/87 X
3,939,590	2/1976	Musgrave	42/90

FIG. 1 is a perspective view of the magazine tool showing my new and ornamental design;
FIG. 2 is a top plan view thereof which is a mirror image of the bottom plan view;
FIG. 3 is a left-side elevational view thereof;
FIG. 4 is a rear elevational view thereof;
FIG. 5 is a front elevational view thereof; and,
FIG. 6 is a right-side elevational view thereof.



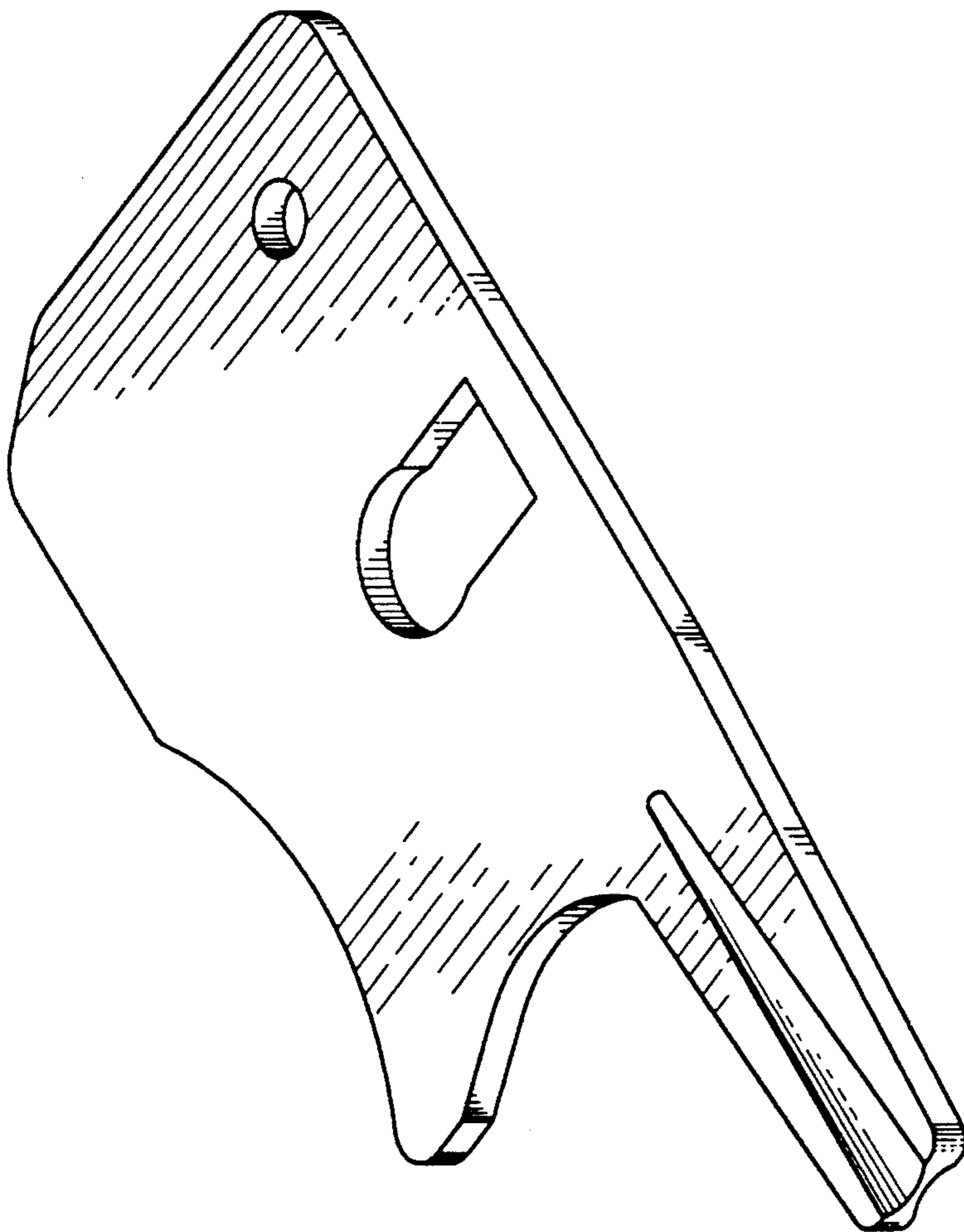


FIG. 1



FIG. 4



FIG. 3

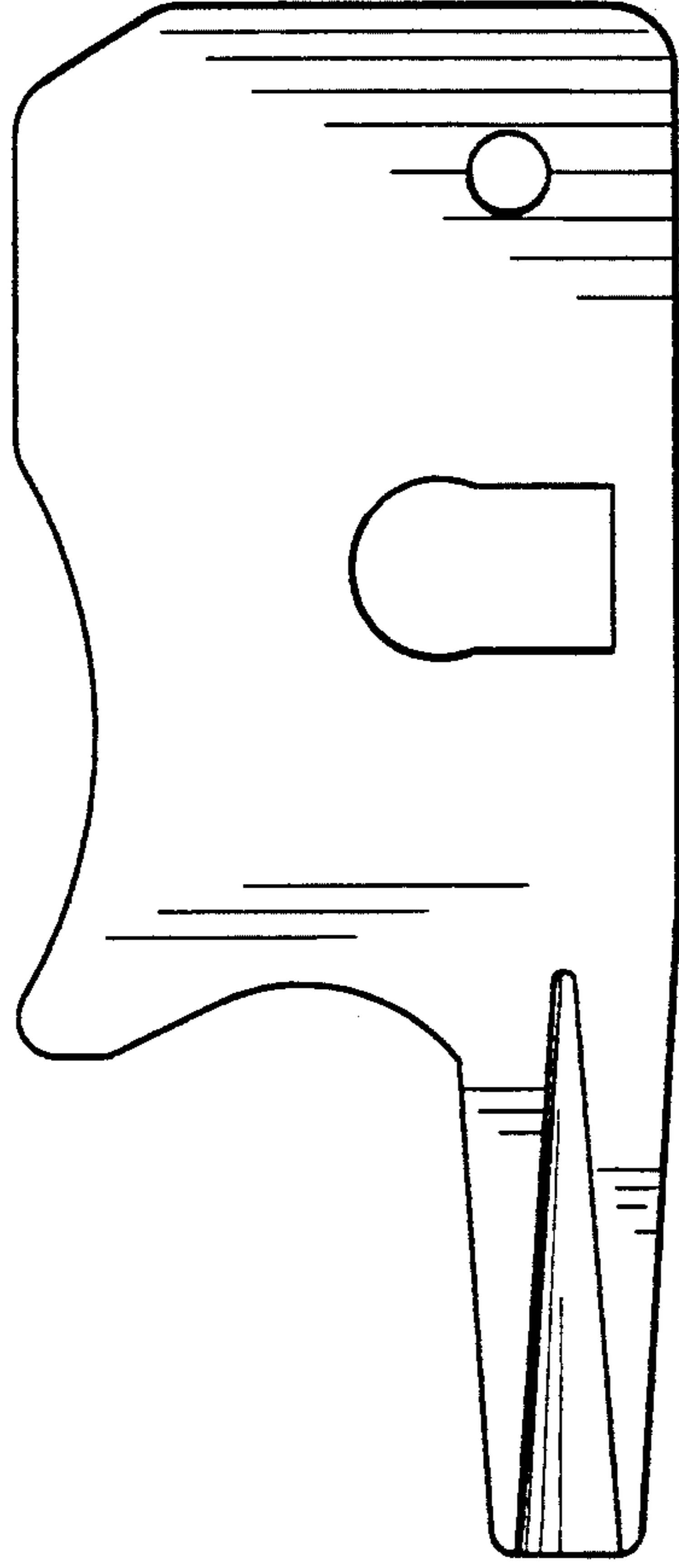


FIG. 2



FIG. 6



FIG. 5