



US00D348501S

United States Patent [19] Wong

[11] Patent Number: **Des. 348,501**

[45] Date of Patent: **** Jul. 5, 1994**

[54] **PUTTING PRACTICE DEVICE**

[76] Inventor: **Fu Go Wong**, 1 Fl., No. 37, Lane 16
Shing Yun St., Nei-Hu, Taipei,
Taiwan

[**] Term: **14 Years**

[21] Appl. No.: **2,564**

[22] Filed: **Dec. 16, 1992**

[52] U.S. Cl. **D21/234**

[58] Field of Search 273/34 R, 177 R, 178 R,
273/179 R, 179 C, 180; D21/234

[56] **References Cited**

U.S. PATENT DOCUMENTS

1,479,673	1/1924	Phelps	273/180
1,784,863	12/1930	Busse	273/179 C
2,473,680	6/1949	Farris	273/177 R
3,275,325	9/1966	MacKenzie	273/180

3,561,765	2/1971	Dixon	273/179 C
5,082,280	1/1992	Wang	273/179 C
5,129,653	7/1992	Morris et al.	273/179 C

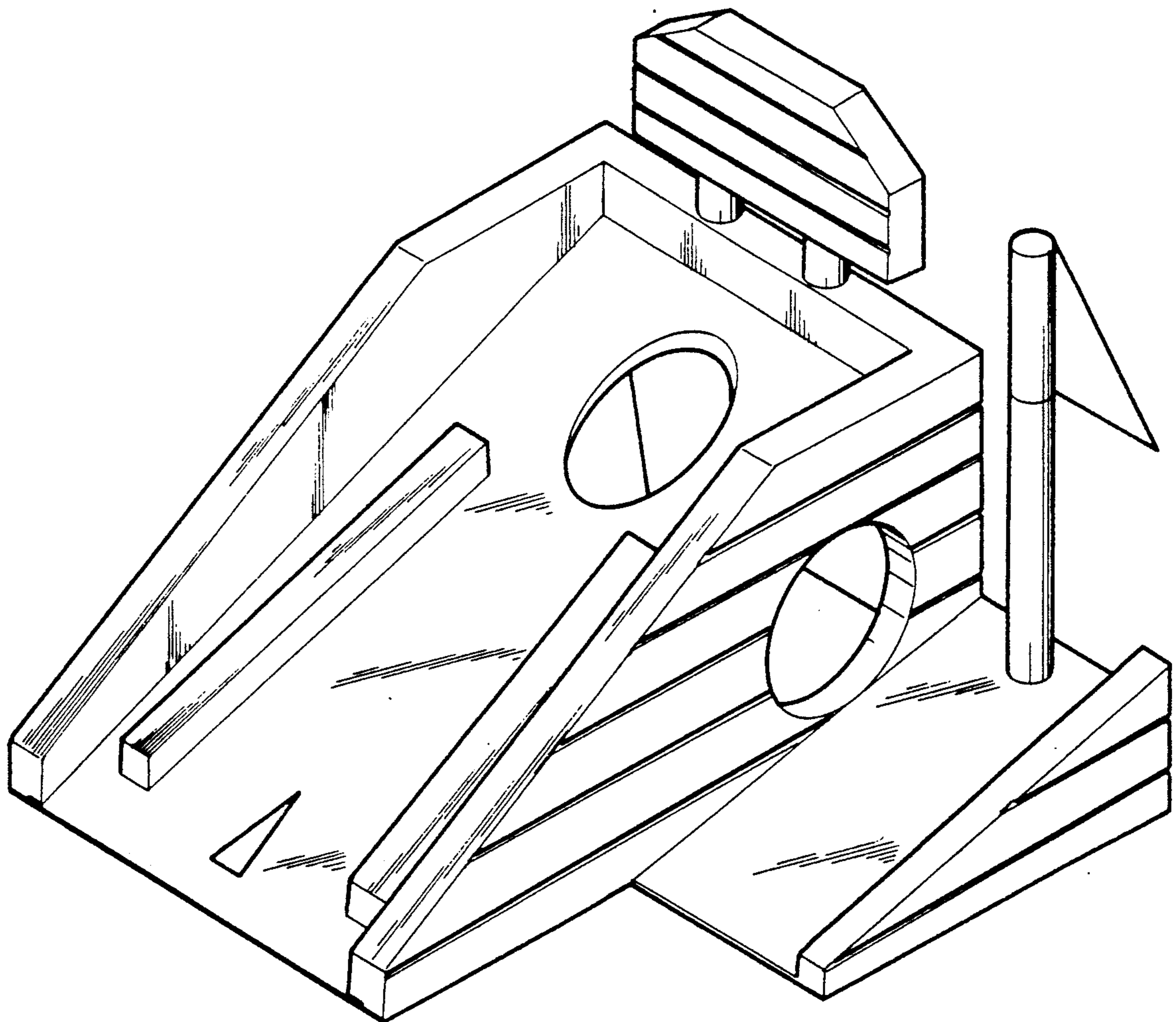
Primary Examiner—B. J. Bullock
Attorney, Agent, or Firm—W. Wayne Liauh

[57] **CLAIM**

The ornamental design for putting practice device, as shown and described

DESCRIPTION

FIG. 1 is a perspective view of a putting practice device showing my design;
FIG. 2 is a reduced front elevational view thereof;
FIG. 3 is a reduced rear elevational view thereof;
FIG. 4 is a reduced left side elevational view thereof;
FIG. 5 is a reduced right side elevational view thereof;
FIG. 6 is a reduced top plan view thereof; and,
FIG. 7 is a reduced bottom plan view thereof.



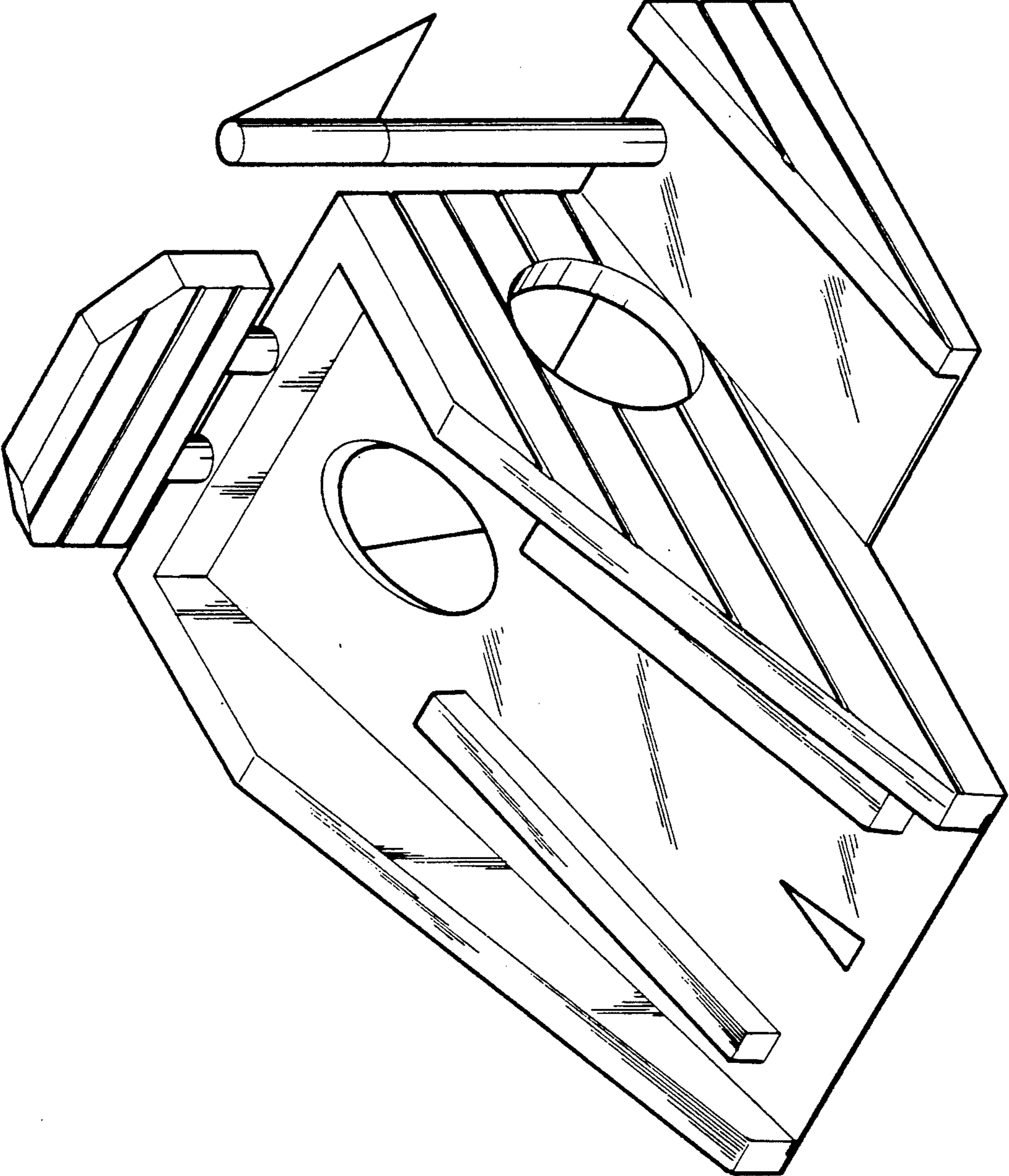
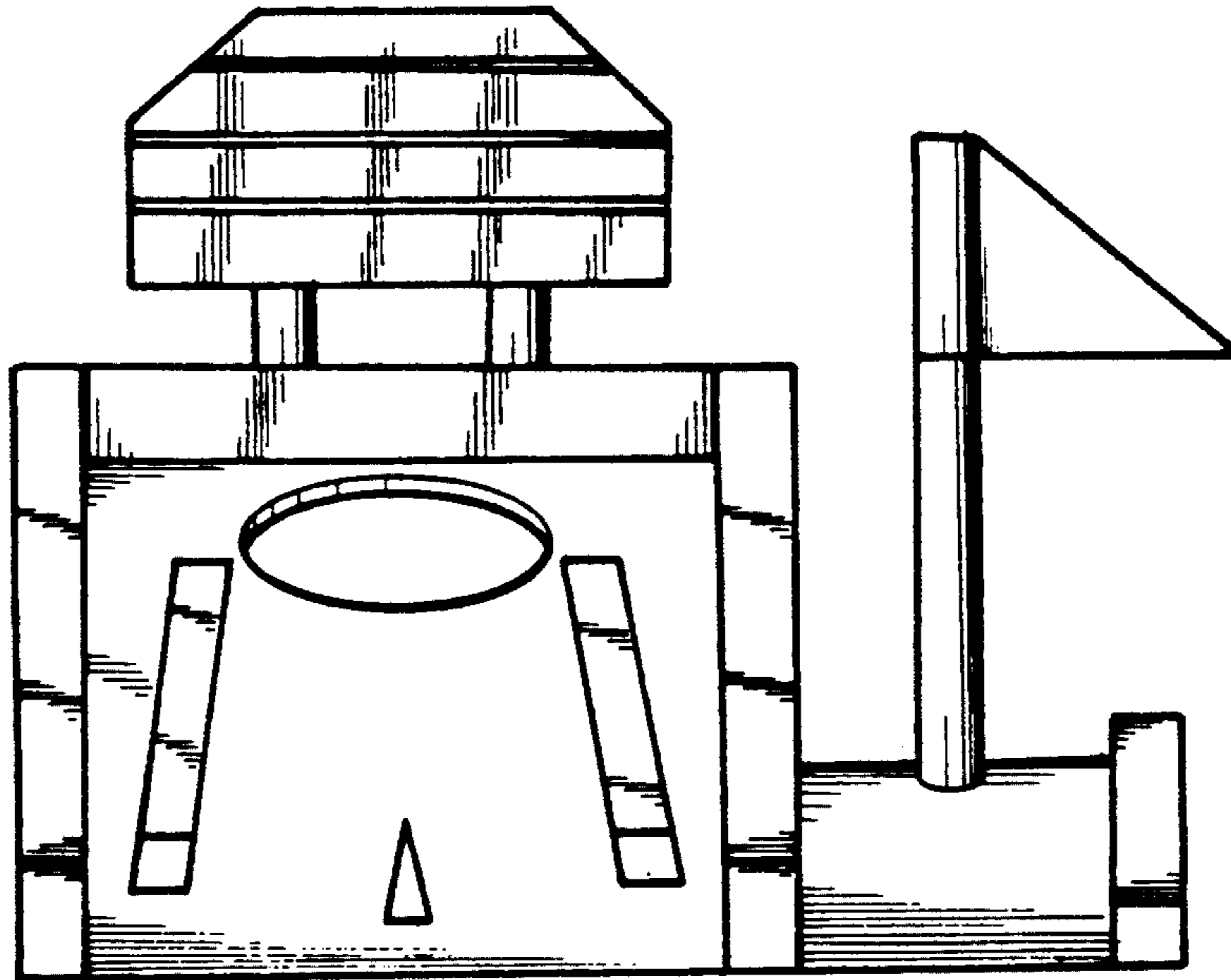
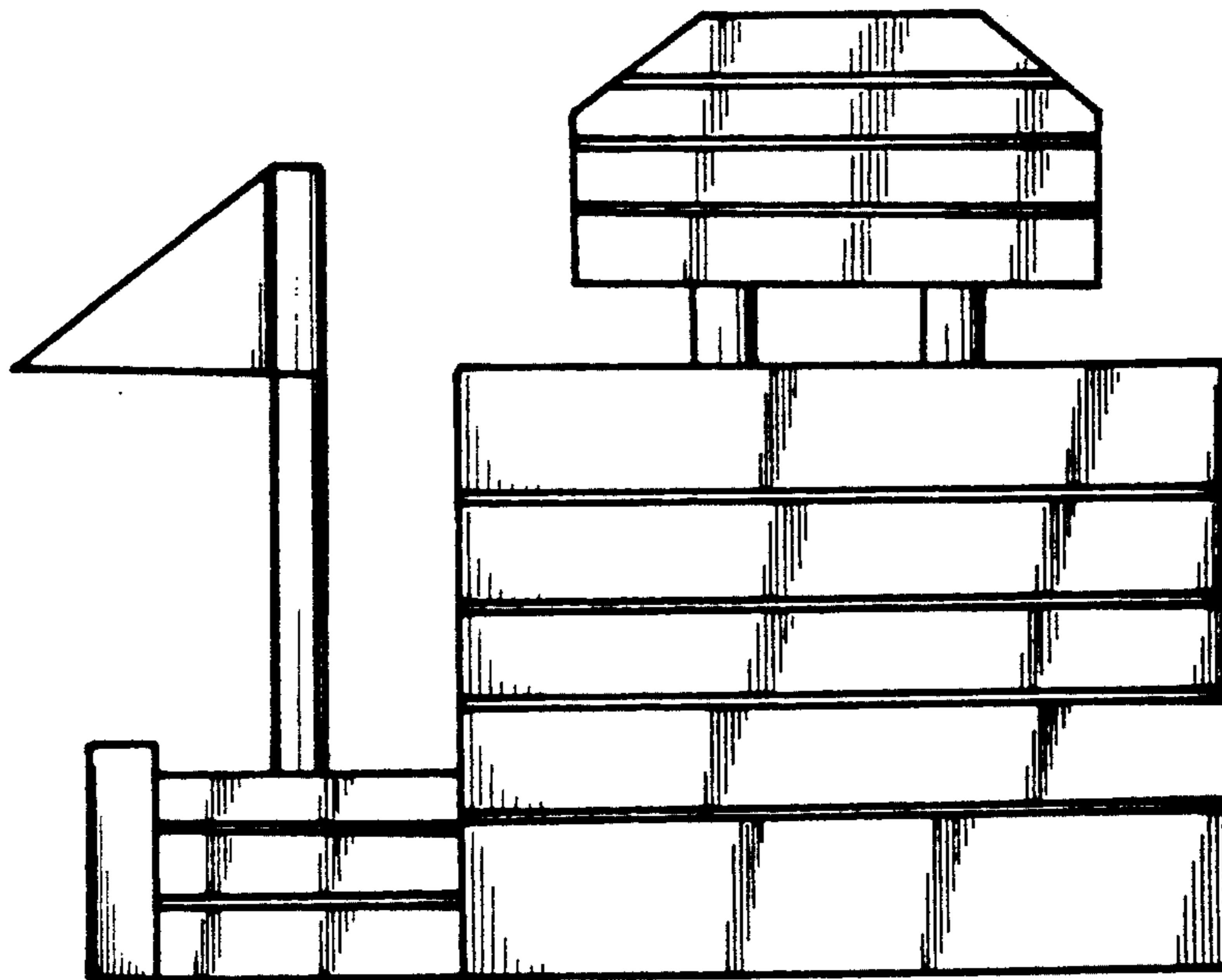


FIG. 1



F I G . 2



F I G . 3

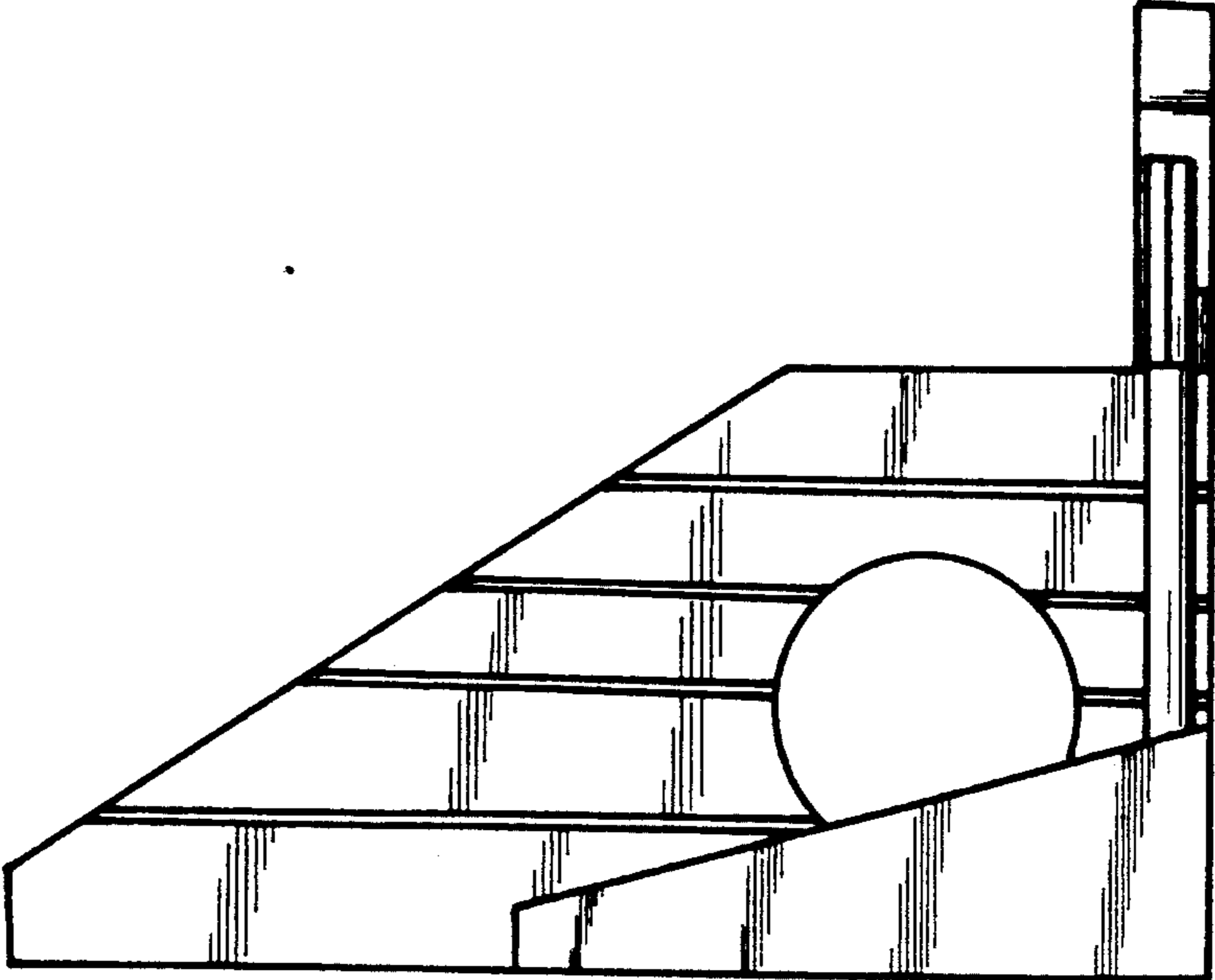


FIG. 5

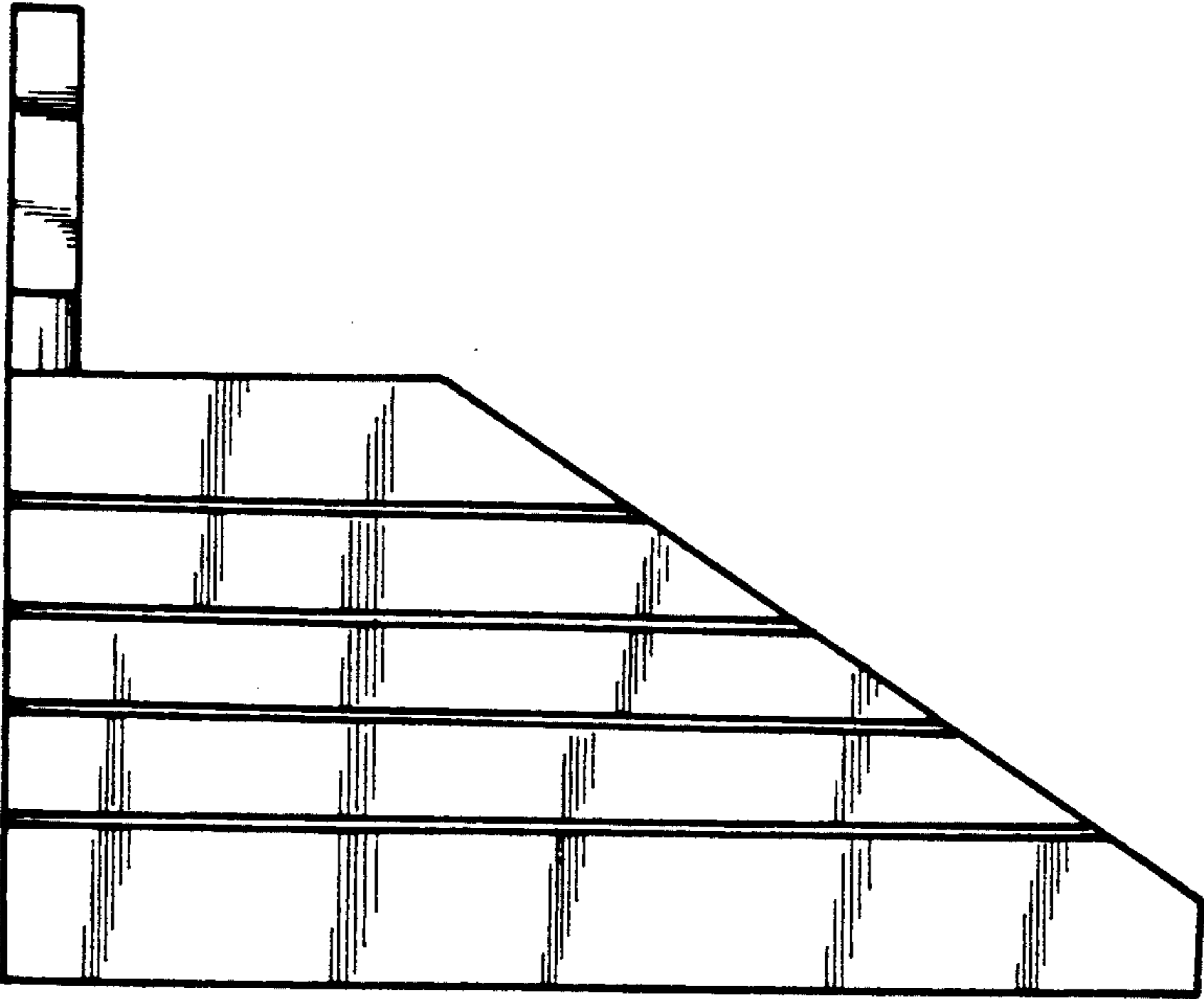


FIG. 4

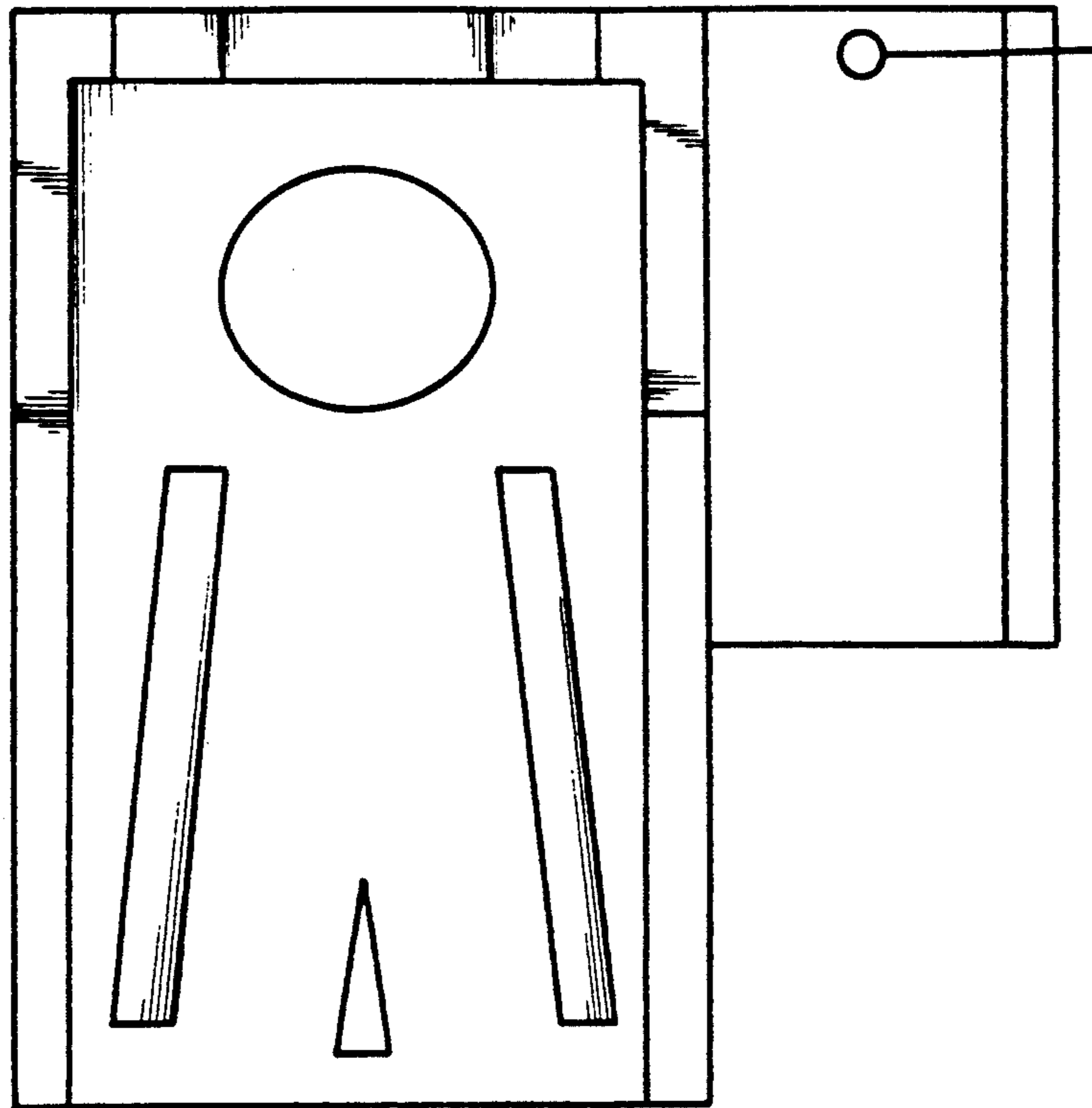


FIG. 6

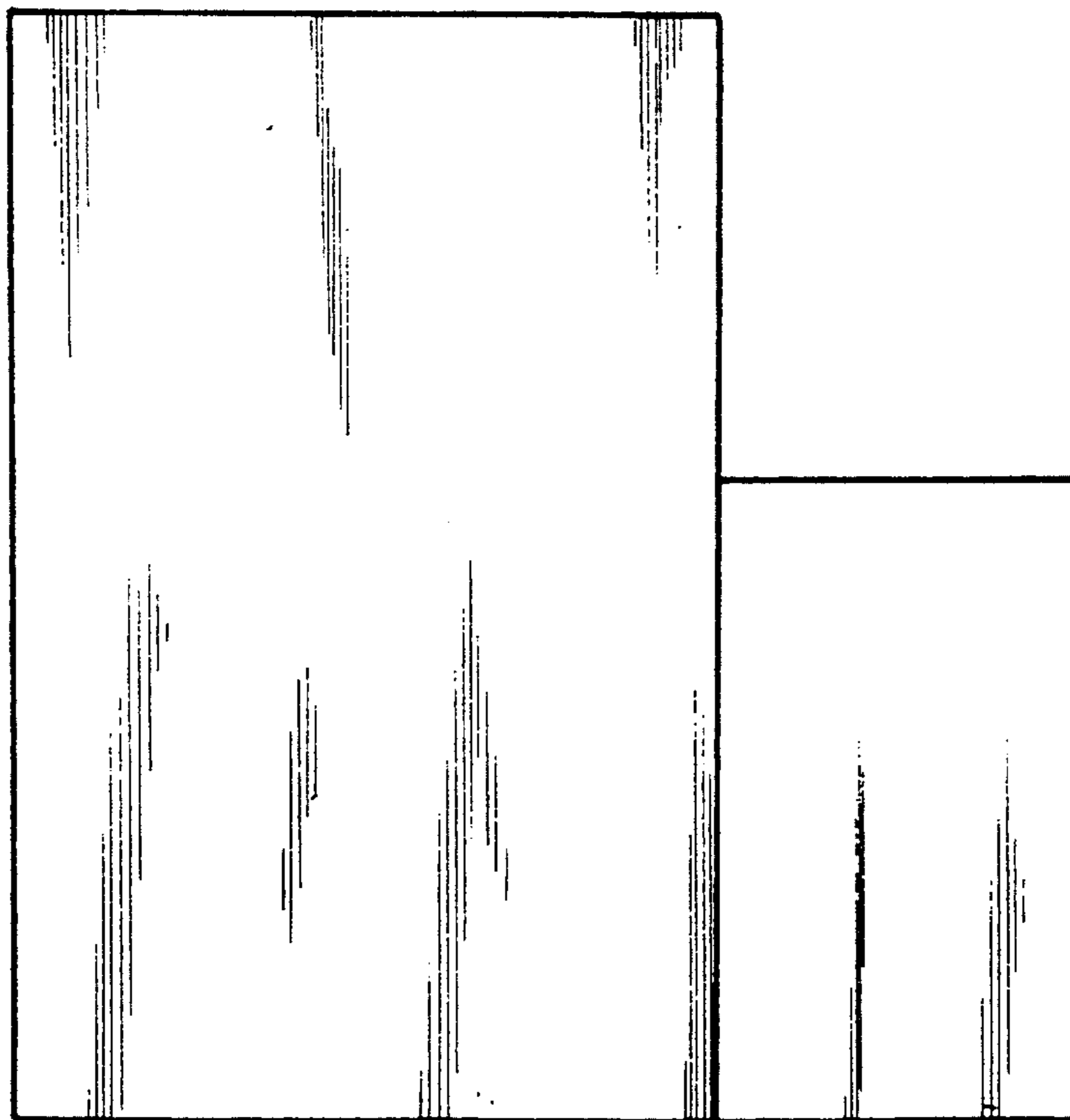


FIG. 7