



US00D348500S

United States Patent [19]

Mortenson et al.

[11] Patent Number: **Des. 348,500**

[45] Date of Patent: **** Jul. 5, 1994**

[54] MULTIPURPOSE GOLF TOOL WITH RETRACTABLE BRUSH

[76] Inventors: **Larry R. Mortenson**, 615 Brookshire Dr.; **Daniel E. Bell**, 762 W. 3900 South, both of Riverdale, Utah 84405

[**] Term: **14 Years**

[21] Appl. No.: **2,019**

[22] Filed: **Nov. 30, 1992**

[52] U.S. Cl. **D21/234; D4/118; D32/47**

[58] Field of Search **D4/116, 118, 136; 273/32 B; 5/105, 112, 113; D21/234; D32/47**

[56] **References Cited**

U.S. PATENT DOCUMENTS

- D. 84,534 6/1931 Miller D21/234
- D. 185,205 5/1959 Huber D4/118
- D. 191,194 8/1961 Davis et al. D4/118
- D. 191,498 10/1961 Chamberlain D21/234
- D. 293,164 12/1987 Shearer D4/118

5,143,371 9/1992 Strahan 273/32 A

FOREIGN PATENT DOCUMENTS

2247179 2/1992 United Kingdom 273/32 B

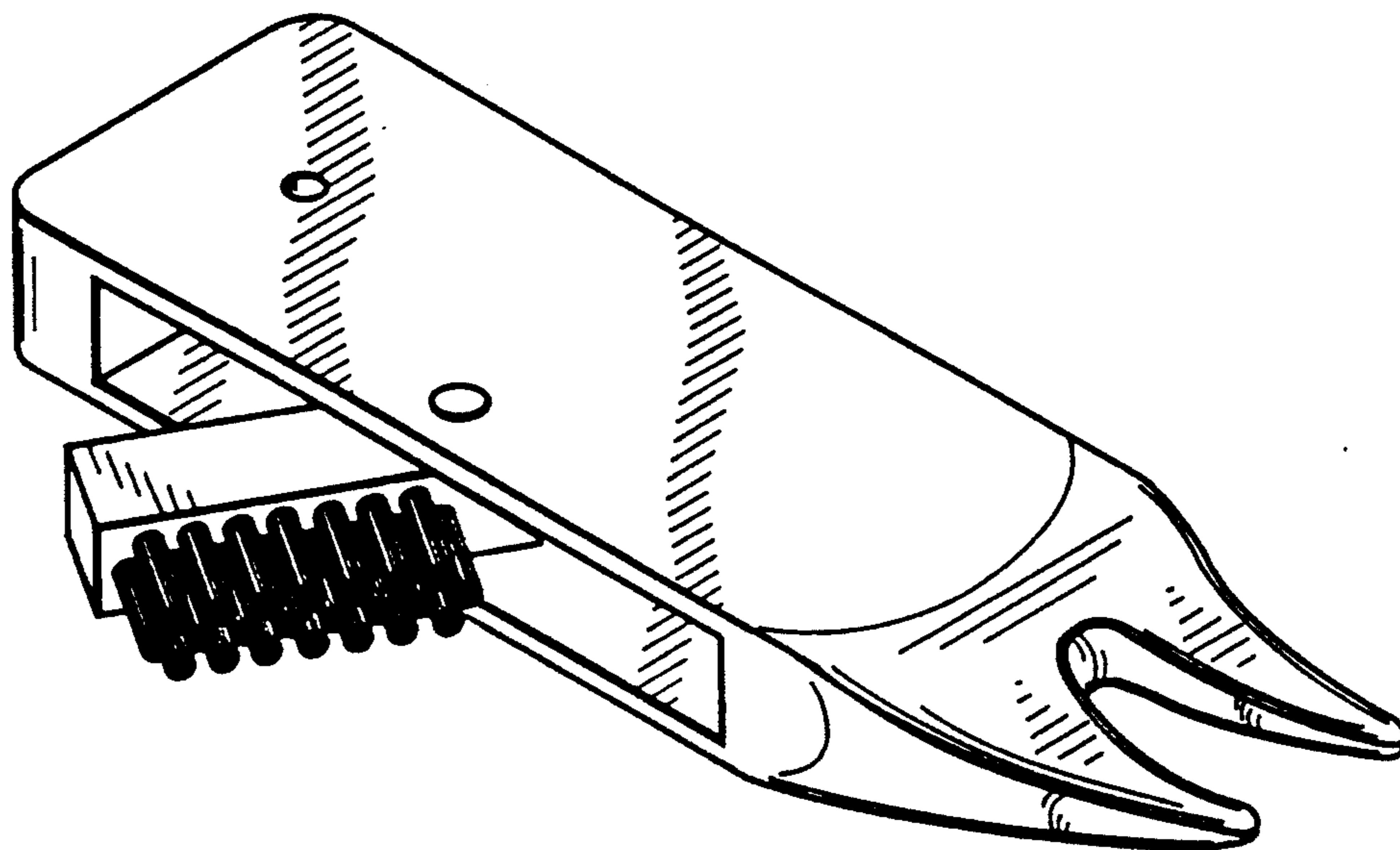
Primary Examiner—B. J. Bullock
Attorney, Agent, or Firm—Thorpe, North & Western

[57] **CLAIM**

The ornamental design for a multipurpose golf tool with retractable brush, as shown and described.

DESCRIPTION

FIG. 1 is a perspective view of a multipurpose golf tool with retractable brush as shown and described;
 FIG. 2 is a side elevational view thereof, taken from the left side of FIG. 1;
 FIG. 3 is a side elevational view thereof, taken from the right side of FIG. 1;
 FIG. 4 is a front end elevational view thereof;
 FIG. 5 is a back end elevational view thereof;
 FIG. 6 is a bottom plan view thereof; and,
 FIG. 7 is a top plan view thereof.



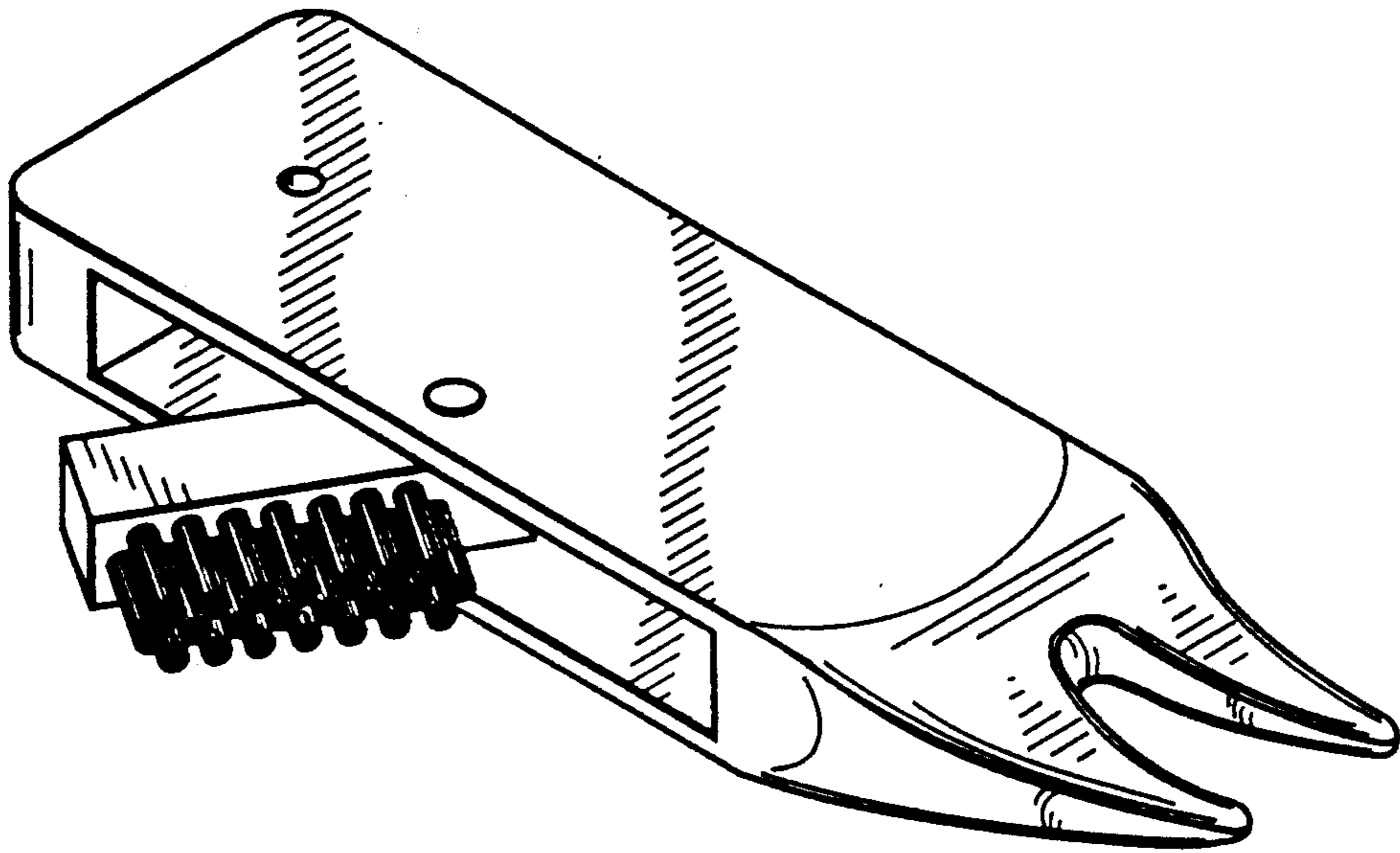


Fig. 1

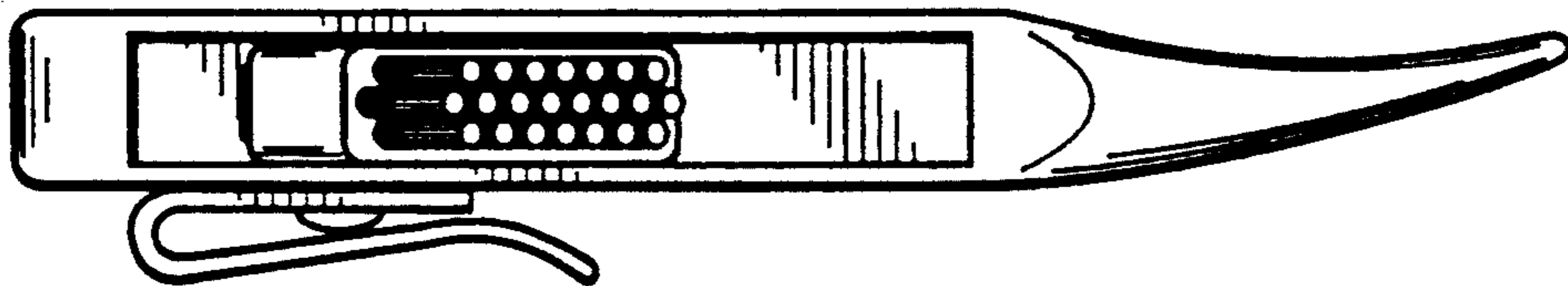


Fig. 2



Fig. 3

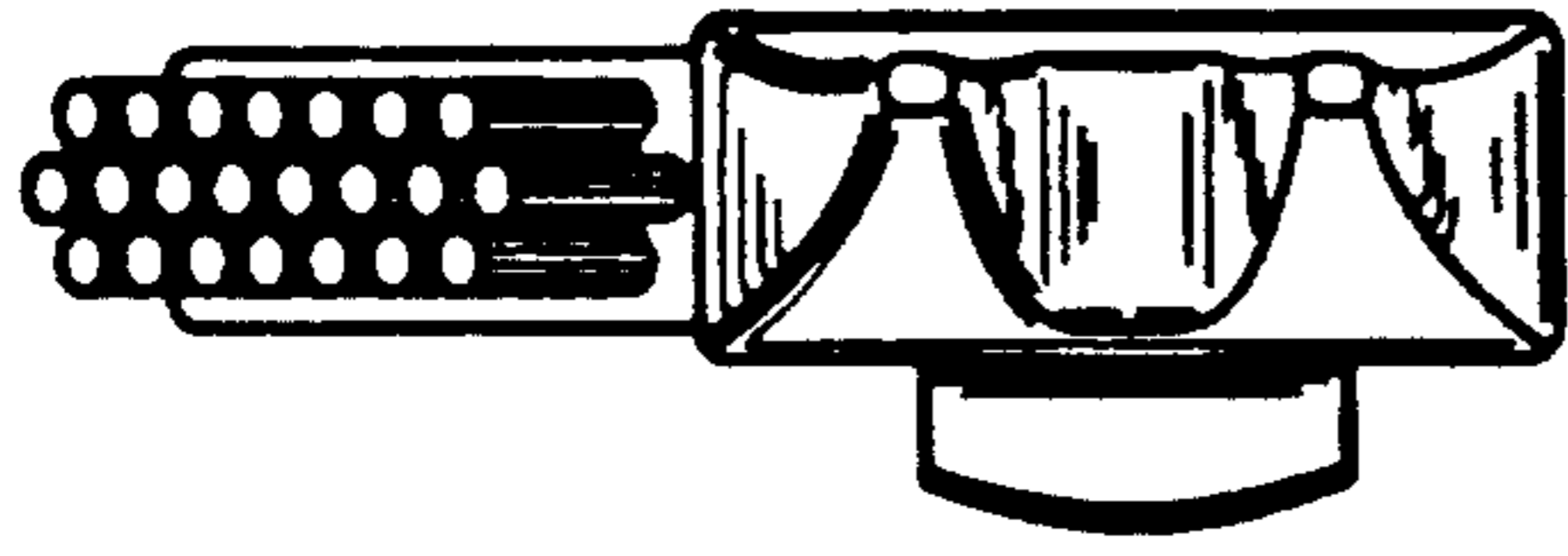


Fig. 4



Fig. 5

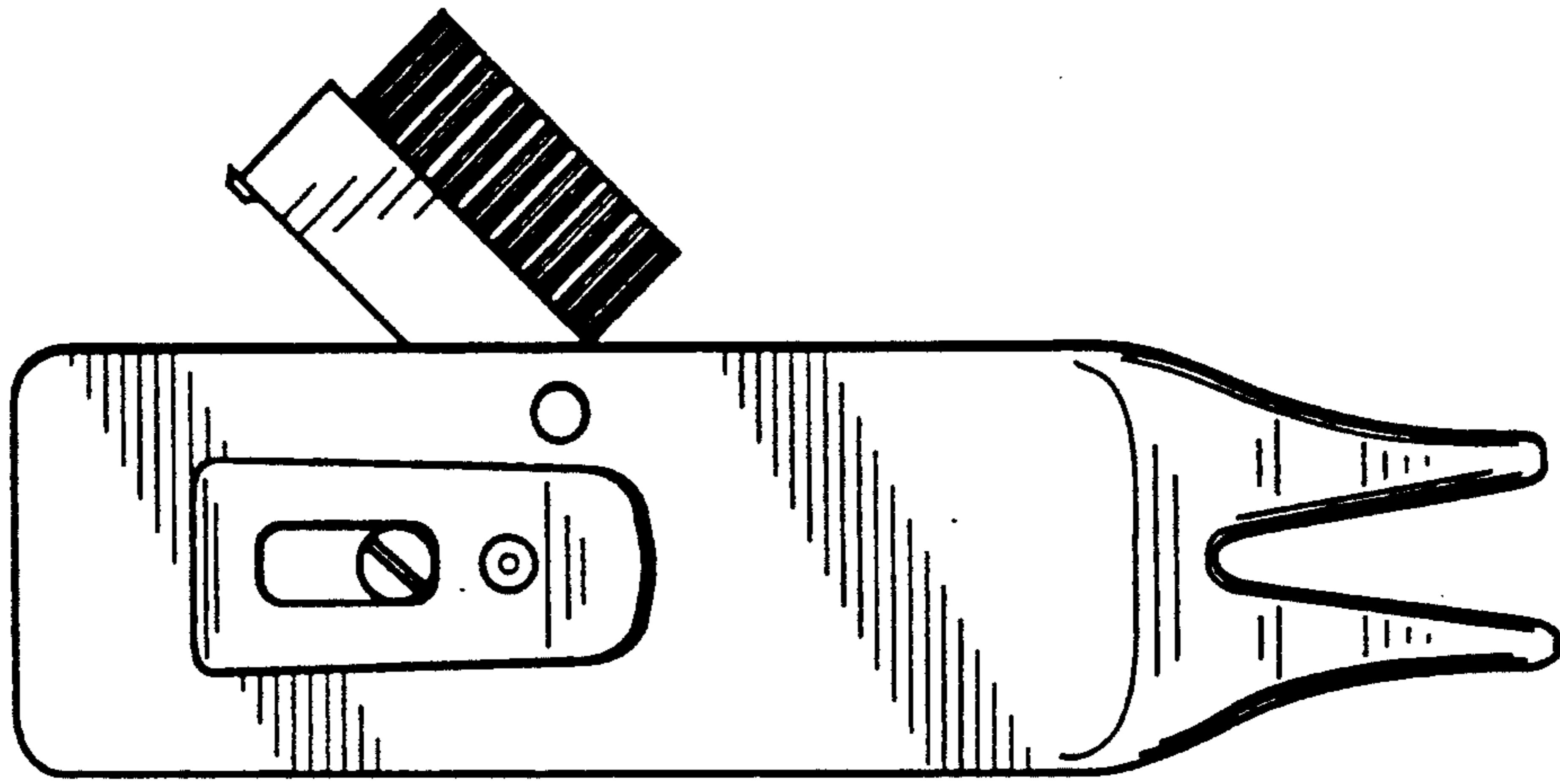


Fig. 6

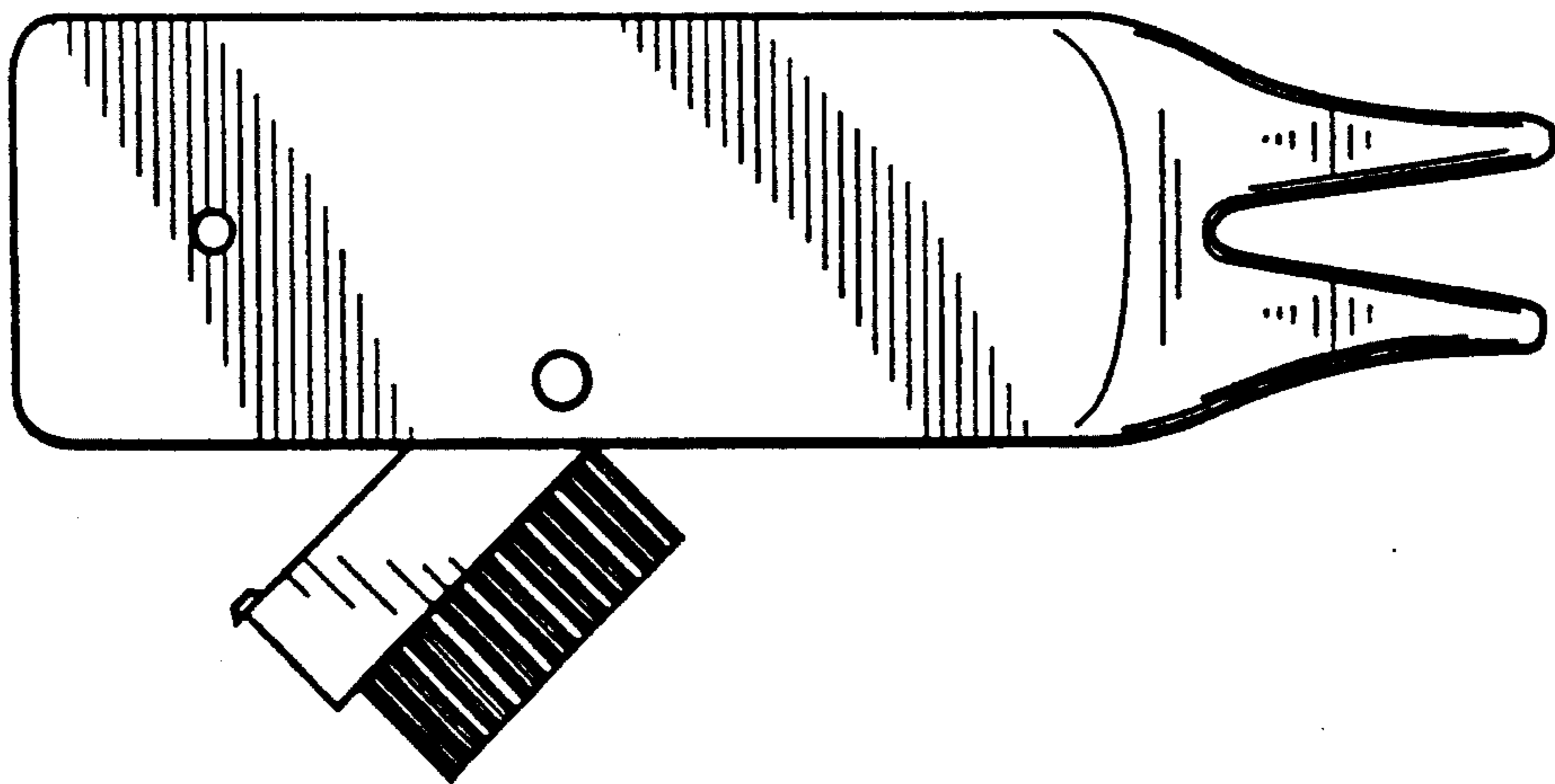


Fig. 7