



US00D348496S

# United States Patent [19]

[11] Patent Number: **Des. 348,496**

**Lertyaovarit**

[45] Date of Patent: **\*\* Jul. 5, 1994**

[54] **EXERCISE STEPPING MACHINE**

[75] Inventor: **Prakit Lertyaovarit, Montebello, Calif.**

[73] Assignee: **Krane Industry Corp., Taipei, Taiwan**

[\*\*] Term: **14 Years**

[21] Appl. No.: **951,701**

[22] Filed: **Sep. 25, 1992**

[52] U.S. Cl. .... **D21/195**

[58] Field of Search ..... **482/51, 52, 53; D21/191, 194, 195**

- D. 321,299 10/1991 Dalton et al. .... D21/195
- D. 321,388 11/1991 Dalebout ..... D21/195
- D. 325,235 4/1992 Wang ..... D21/195
- D. 326,491 5/1992 Dalebout ..... D21/195
- D. 328,625 8/1992 Arthur et al. .... D21/195
- D. 328,770 8/1992 Henderson et al. .... D21/195

*Primary Examiner*—Bernard Ansher  
*Assistant Examiner*—Philip Hyder

[57] **CLAIM**

The ornamental design for a exercise stepping machine, as shown and described.

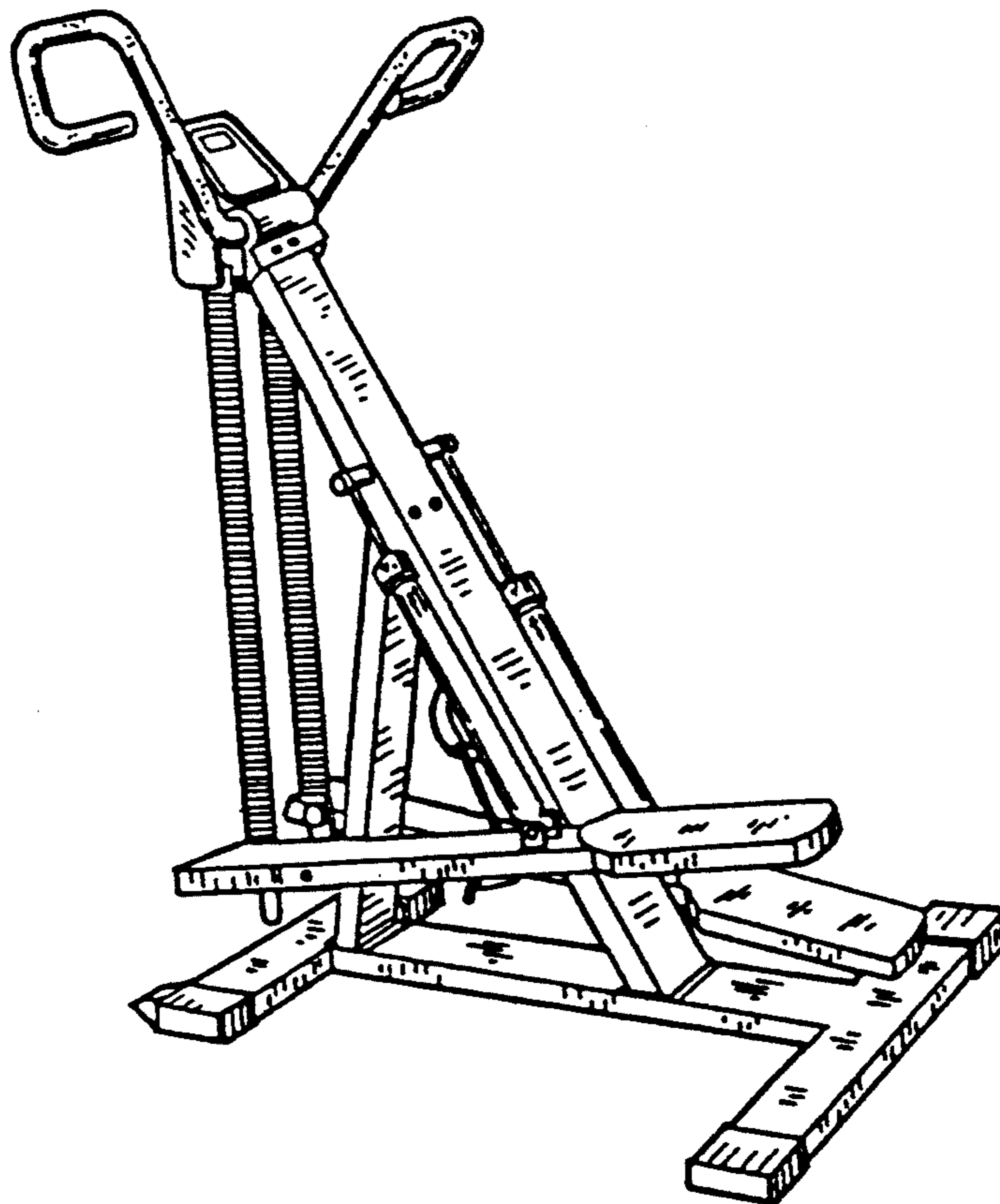
**DESCRIPTION**

FIG. 1 is a perspective view of an exercise stepping machine showing my new design;  
 FIG. 2 is a right side elevational thereof;  
 FIG. 3 is a left side elevational thereof;  
 FIG. 4 is a front elevational view view thereof;  
 FIG. 5 is a rear elevational view view thereof;  
 FIG. 6 is a top plan view thereof; and,  
 FIG. 7 is a bottom plan view thereof.

[56] **References Cited**

**U.S. PATENT DOCUMENTS**

- D. 302,451 7/1989 Bull et al. .... D21/195
- D. 304,358 10/1989 Armstrong et al. .... D21/195
- D. 319,085 8/1991 Kuo ..... D21/195
- D. 319,275 8/1991 Hurt ..... D21/195
- D. 319,855 9/1991 Bull ..... D21/195



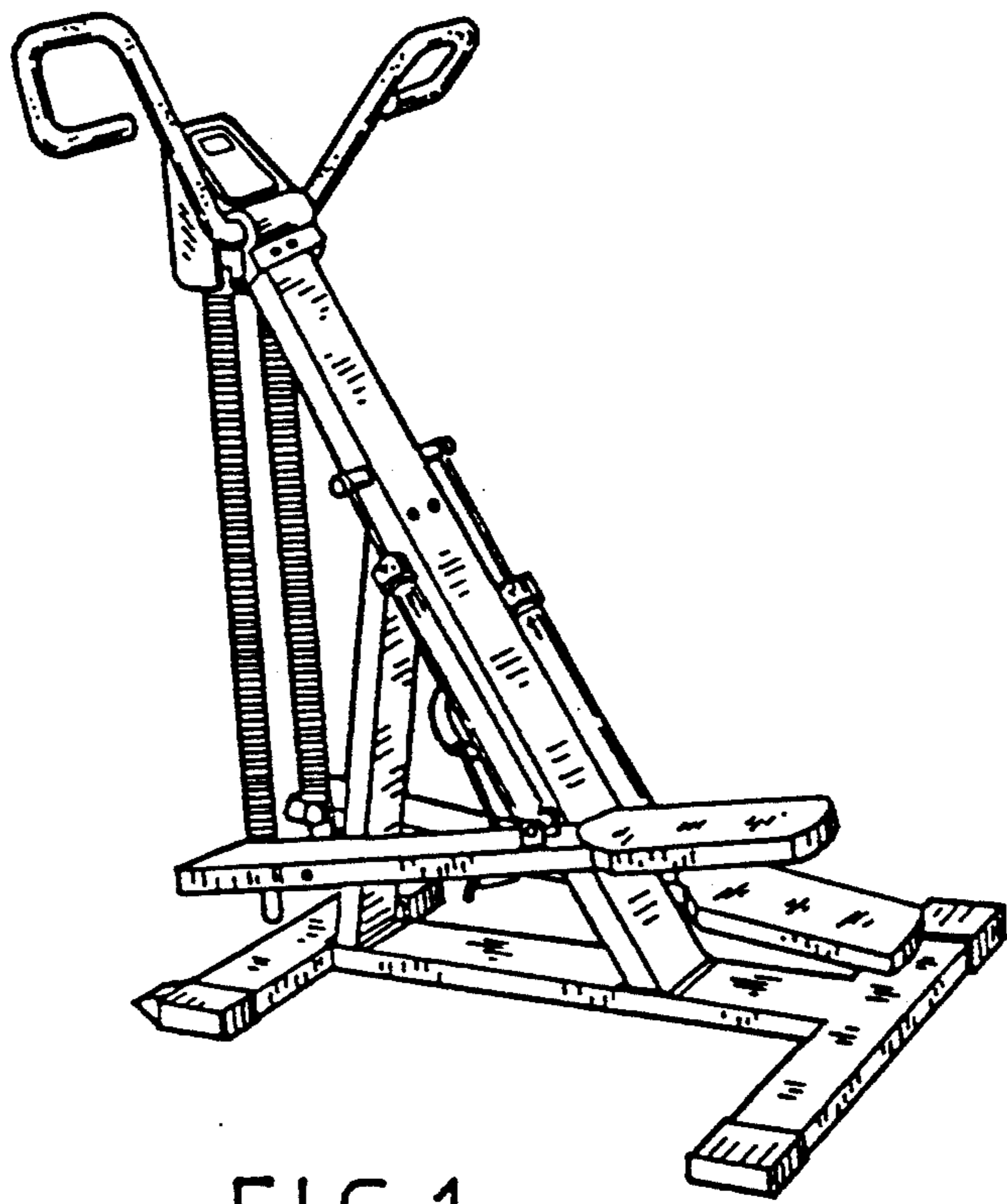


FIG. 1

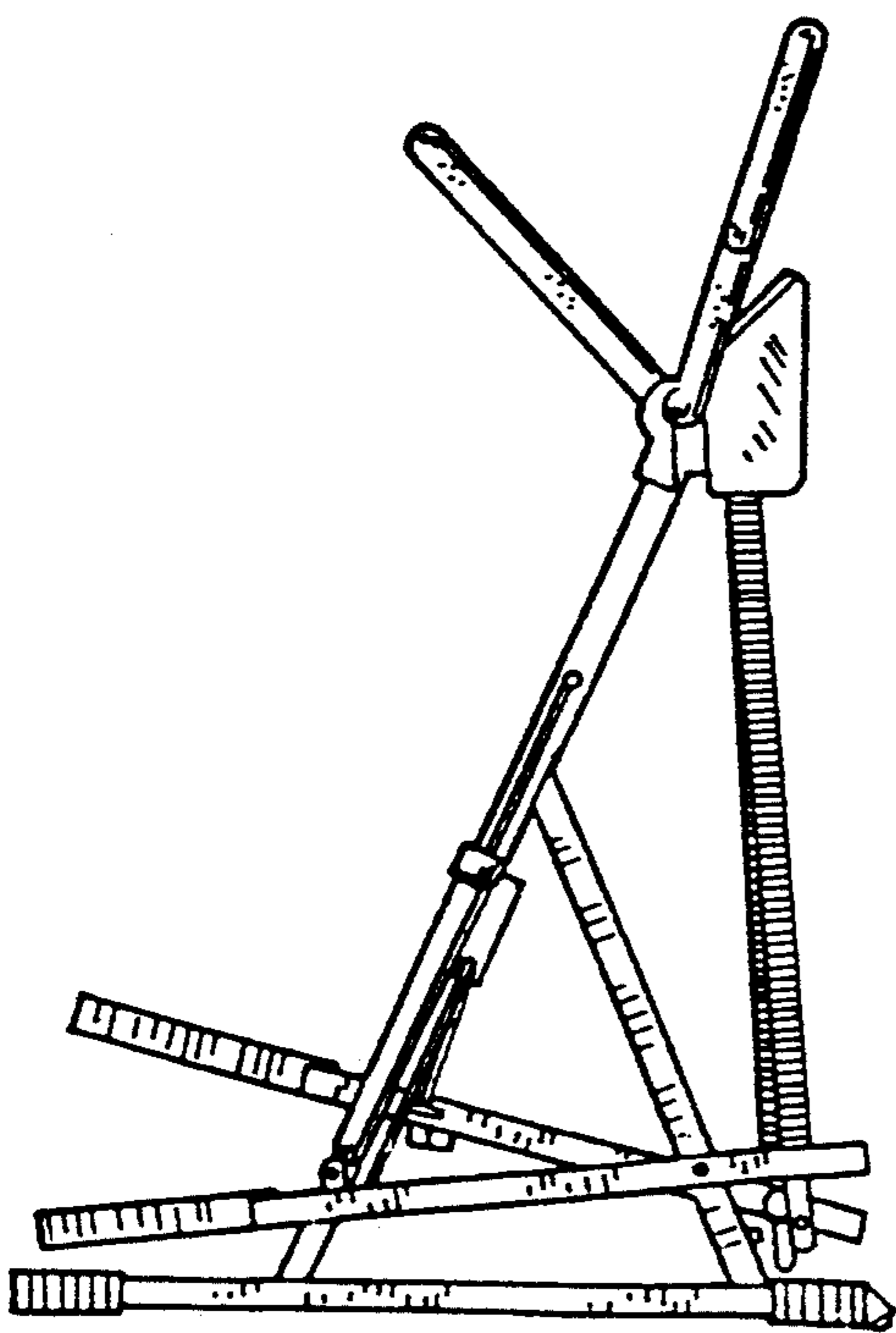


FIG. 2

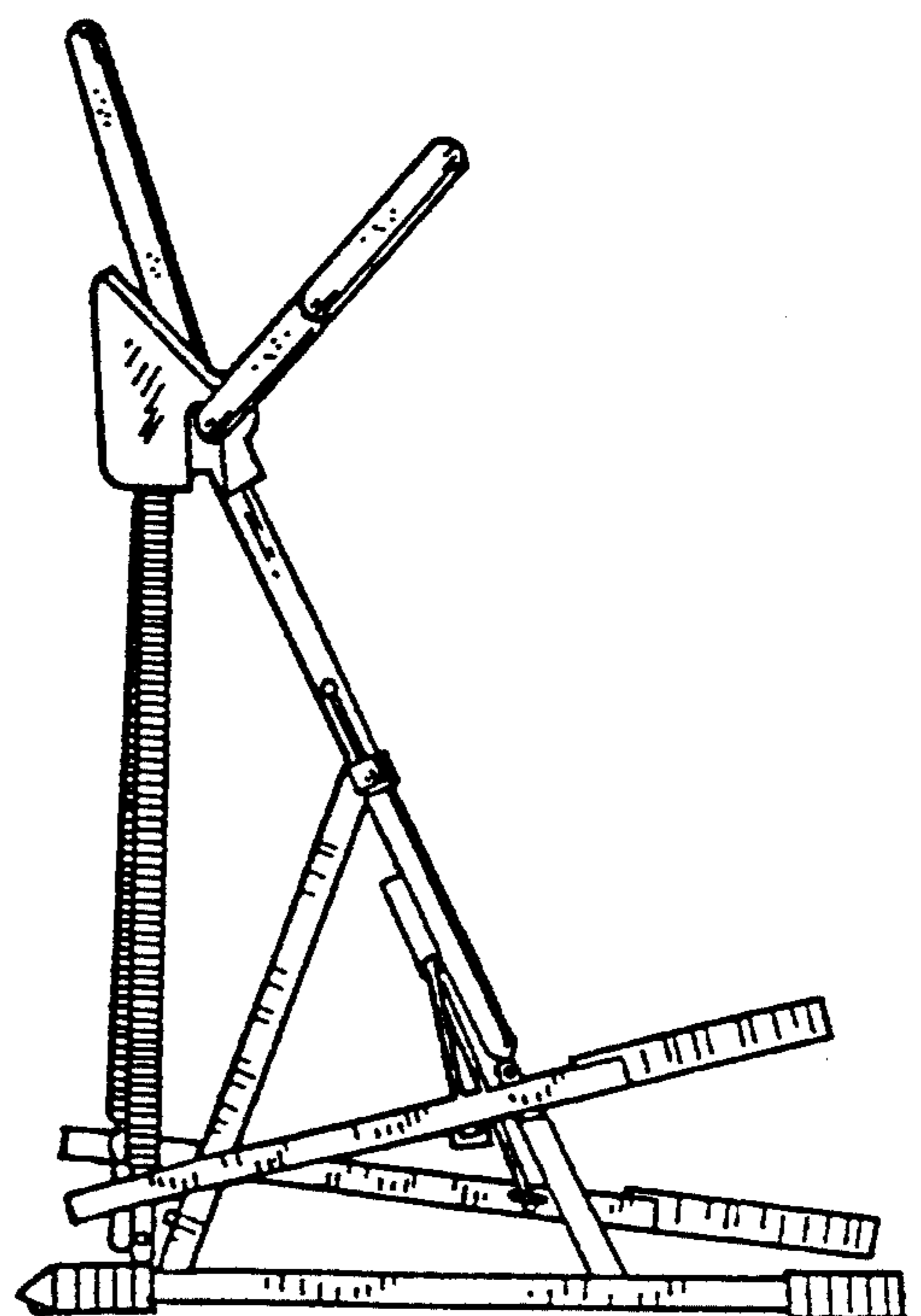


FIG. 3

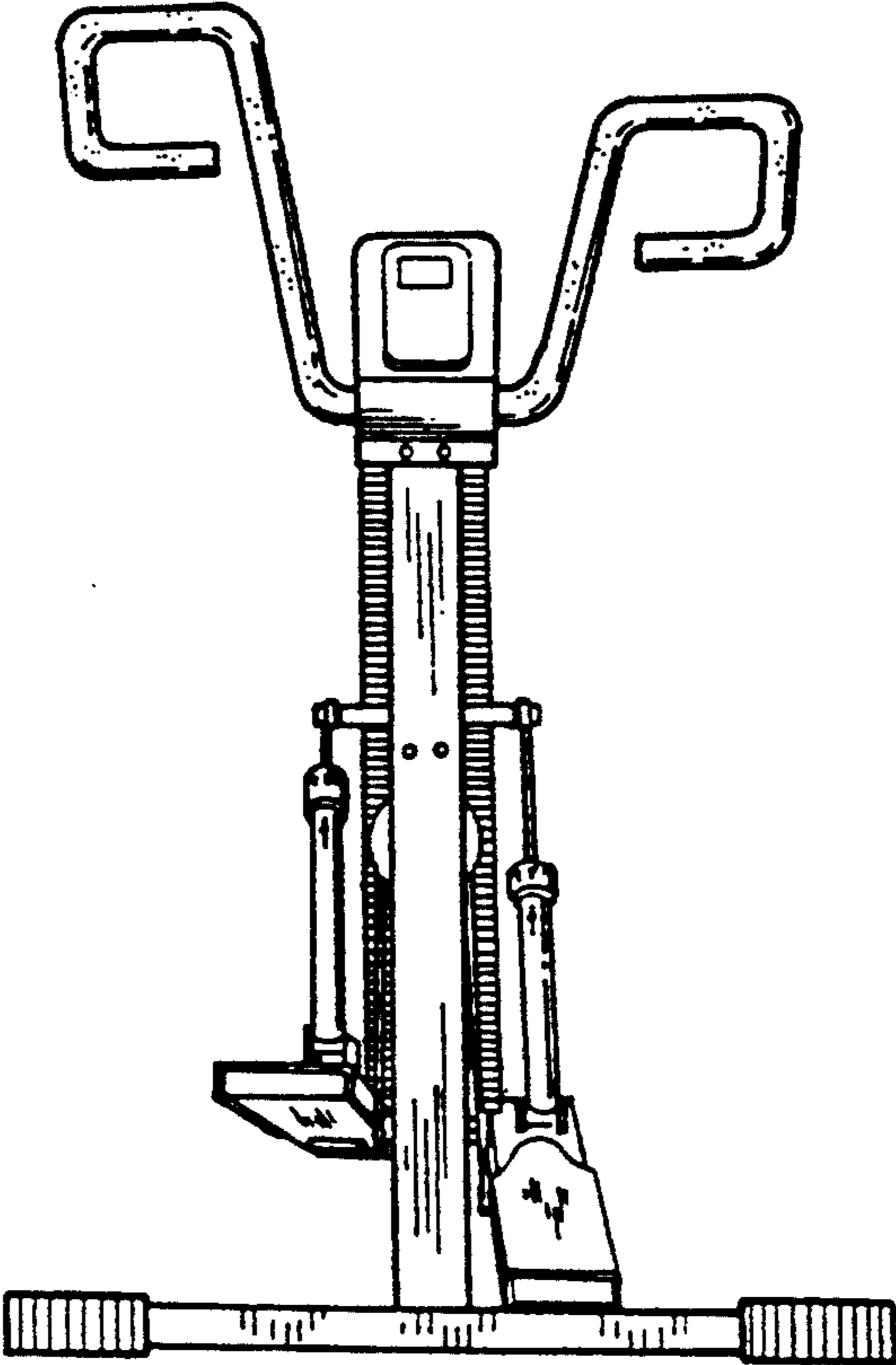


FIG. 4

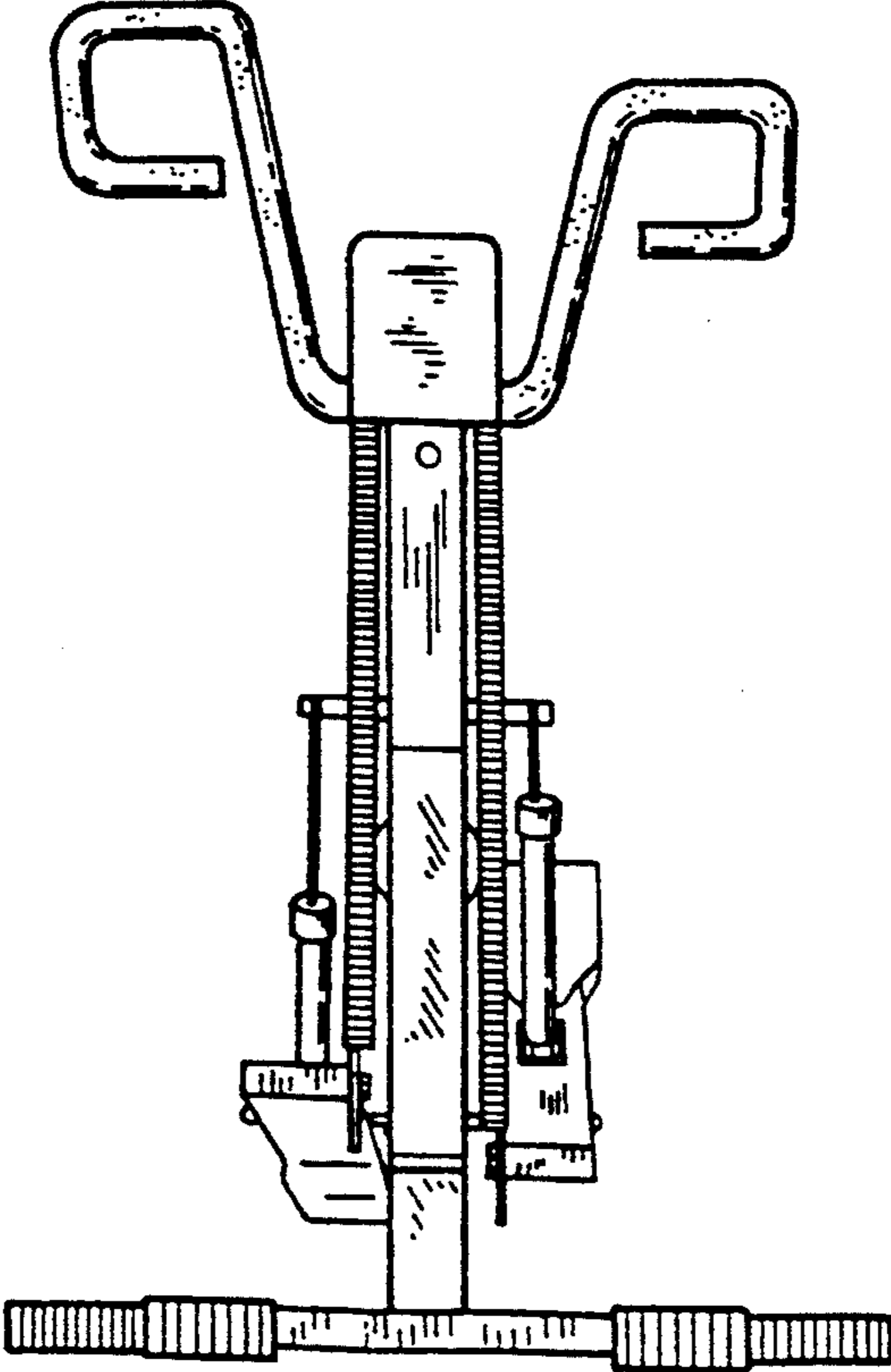


FIG. 5

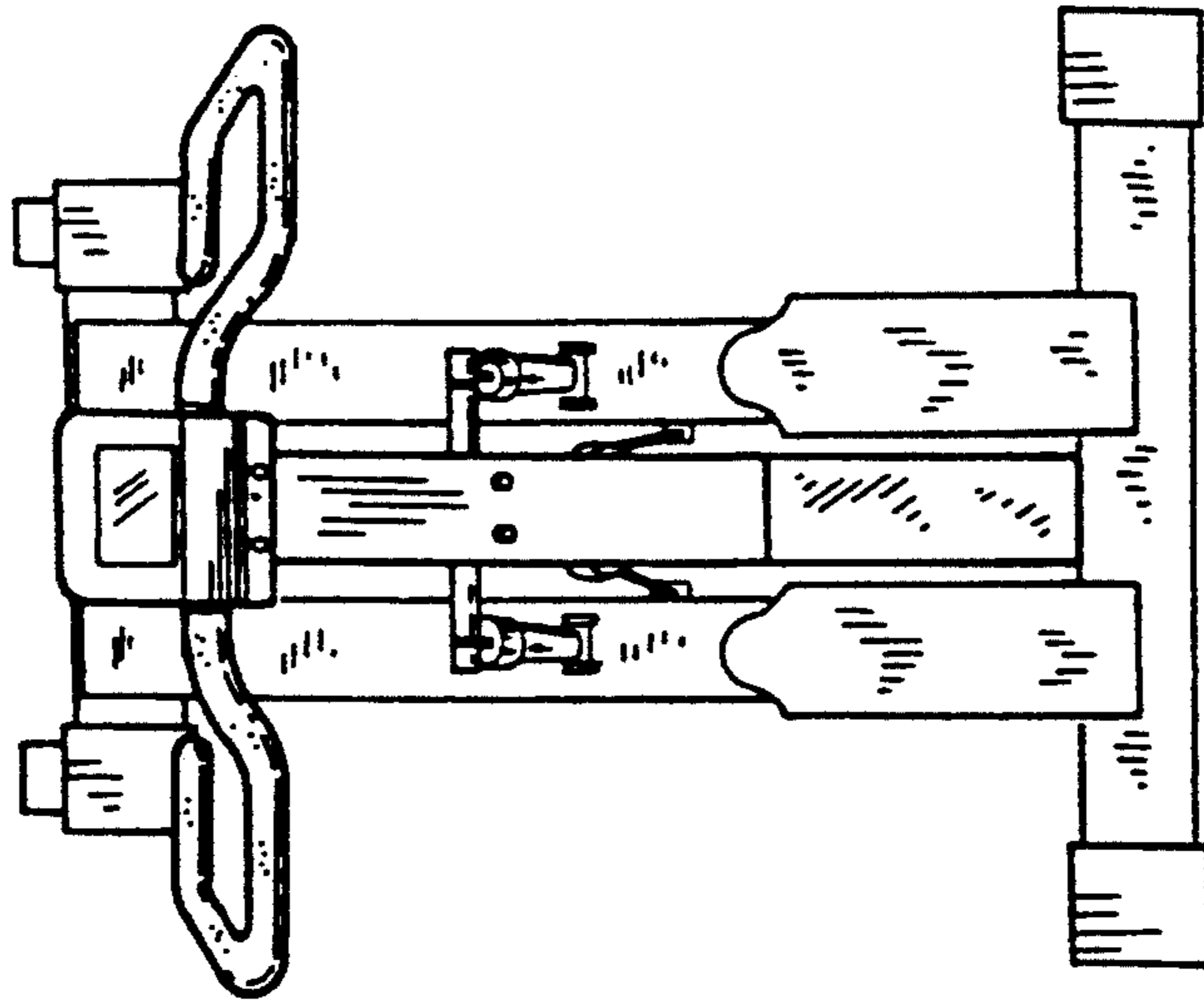


FIG. 6

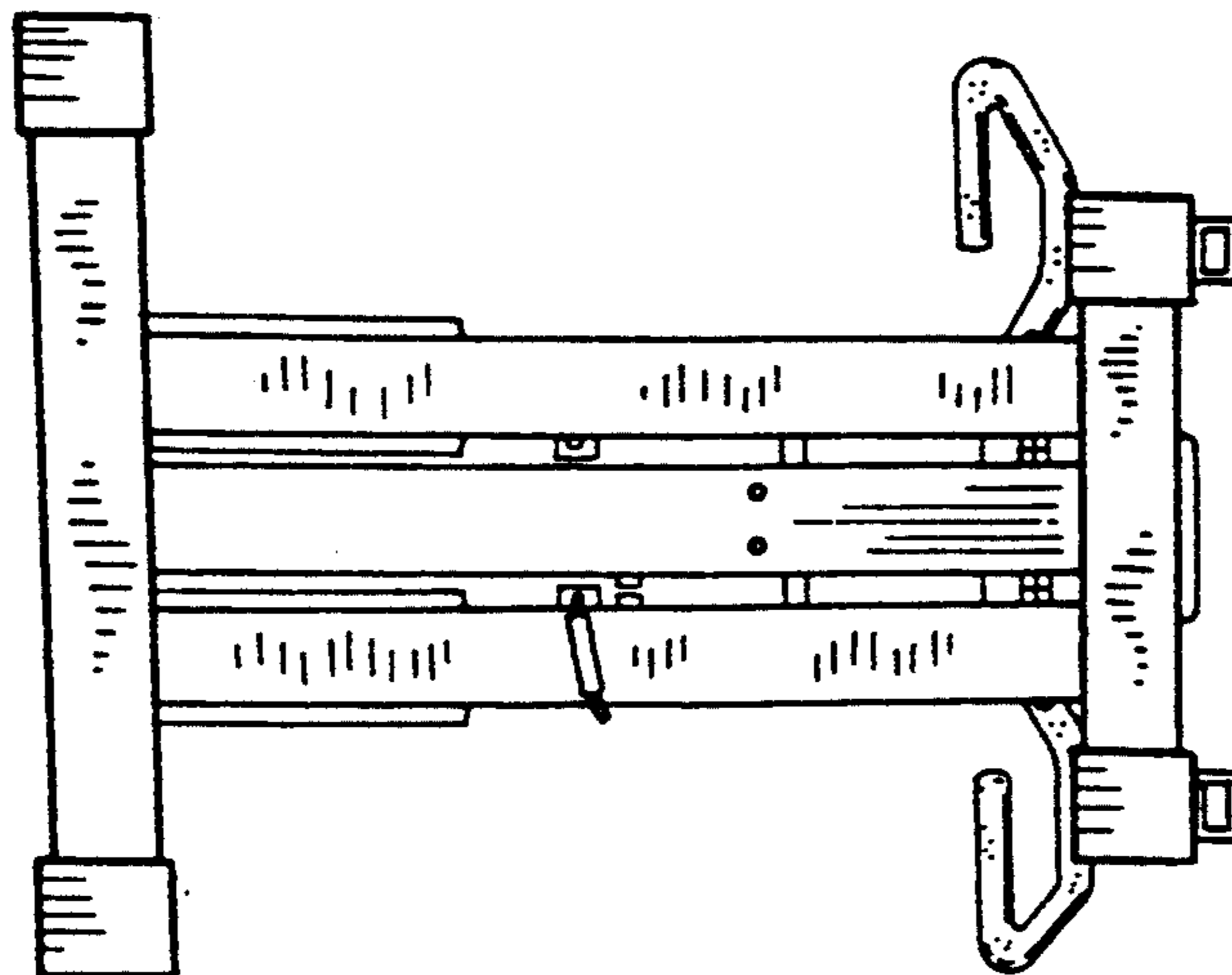


FIG. 7