



US00D348493S

# United States Patent [19] Ashby

[11] Patent Number: **Des. 348,493**  
[45] Date of Patent: **\*\* Jul. 5, 1994**

- [54] **COMBINED HANDLE AND CONSOLE UNIT FOR AN EXERCISE MACHINE**
- [75] Inventor: **Kent Ashby, Logan, Utah**
- [73] Assignee: **Proform Fitness Products, Inc., Logan, Utah**
- [\*\*] Term: **14 Years**
- [21] Appl. No.: **6,865**
- [22] Filed: **Apr. 8, 1993**

4,679,787	7/1987	Guilbault .	
4,743,015	5/1988	Marshall .	
4,832,332	5/1989	Dumbser .	
4,948,121	8/1990	Haaheim .	
5,000,442	3/1991	Dalebout et al. .	
5,004,224	4/1991	Wang .	
5,074,550	12/1991	Sloan .	
5,104,119	4/1992	Lynch .	
5,110,117	5/1992	Fisher et al. ....	482/54
5,129,872	7/1992	Dalton et al. ....	482/52
5,145,481	9/1992	Friedebach ....	482/70

### Related U.S. Application Data

- [63] Continuation-in-part of Ser. No. 954,299, Sep. 30, 1992, abandoned, and a continuation-in-part of Ser. No. 13,637, Feb. 4, 1993, Pat. No. 5,282,776.
- [52] U.S. Cl. .... **D21/192**
- [58] Field of Search ..... 482/54, 52, 72, 74; 482/130, 133, 137; D21/191, 192, 195, 198

### References Cited

#### U.S. PATENT DOCUMENTS

D. 207,541	5/1967	Hesen .....	D21/192
D. 211,801	7/1968	Quinton .....	D21/192
D. 270,555	9/1983	Ogden .....	D21/192
D. 303,131	8/1989	Lo .....	D21/192
D. 303,414	9/1989	Armstrong et al. ....	D21/192
D. 306,891	3/1990	Watterson .....	D21/192
D. 315,765	3/1991	Measom et al. ....	D31/192
D. 321,229	10/1991	Dalton et al. ....	D21/195
D. 325,235	4/1992	Wang .....	D21/195
1,082,940	12/1913	Flora .....	482/54
2,646,282	7/1953	Ringman .	
2,969,060	1/1961	Swanda et al. .	
3,566,861	3/1971	Weiss .	
3,659,845	5/1972	Quinton .	
4,204,673	5/1980	Speer, Sr. .	
4,445,683	5/1984	Ogden .....	482/54
4,502,679	3/1985	De Lorenzo .....	482/54
4,563,001	1/1986	Terauds .	
4,566,689	1/1986	Ogden .	
4,621,623	11/1986	Wang .	

### OTHER PUBLICATIONS

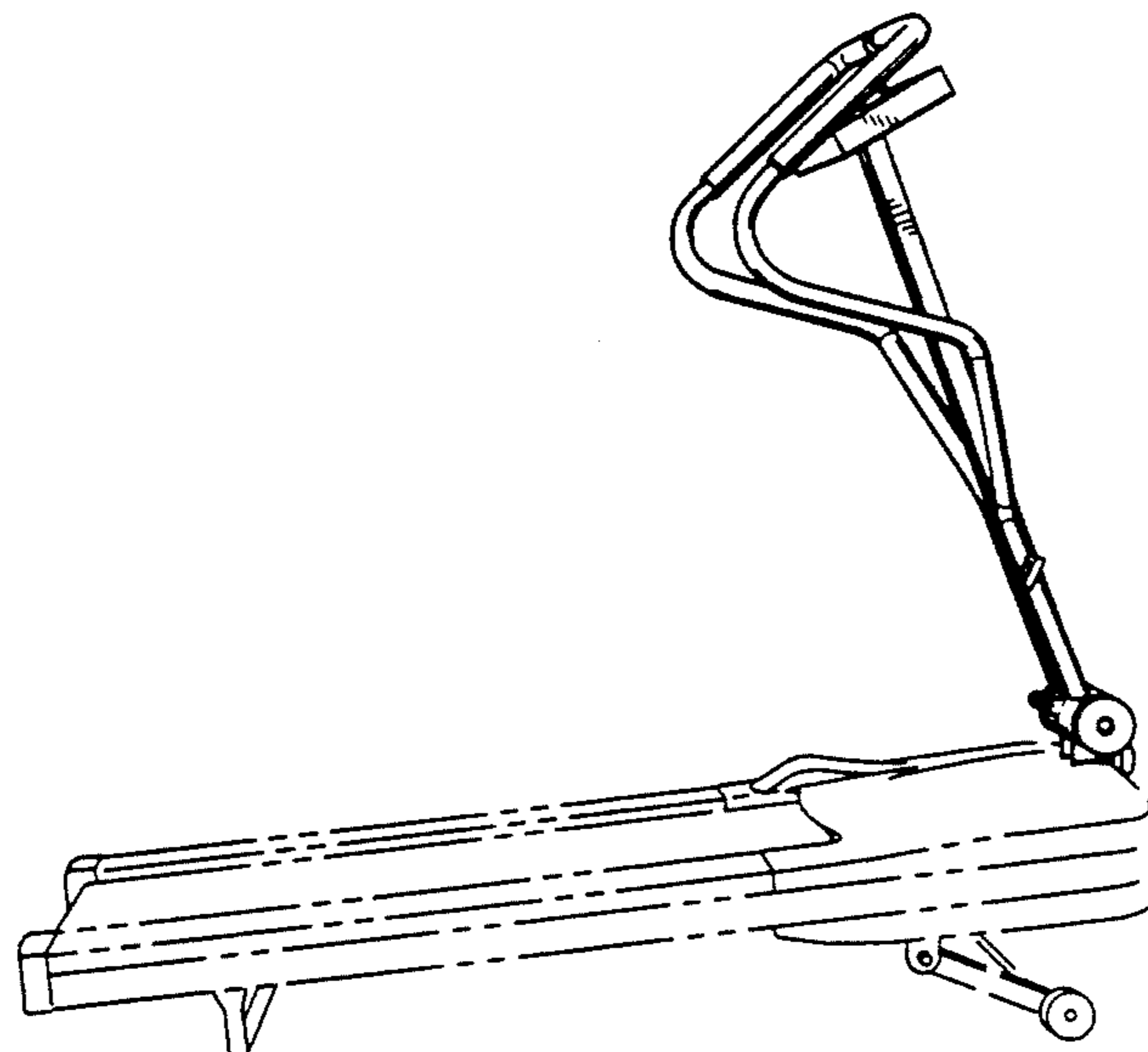
Strider Brochure, Published prior to Dec. 1991, Treadmill.  
 Service Merchandise Catalog, 1990, p. 458, #18 Weslo Ascent Stepper.  
*Primary Examiner*—Bernard Ansher  
*Assistant Examiner*—Philip Hyder  
*Attorney, Agent, or Firm*—Trask, Britt & Rossa

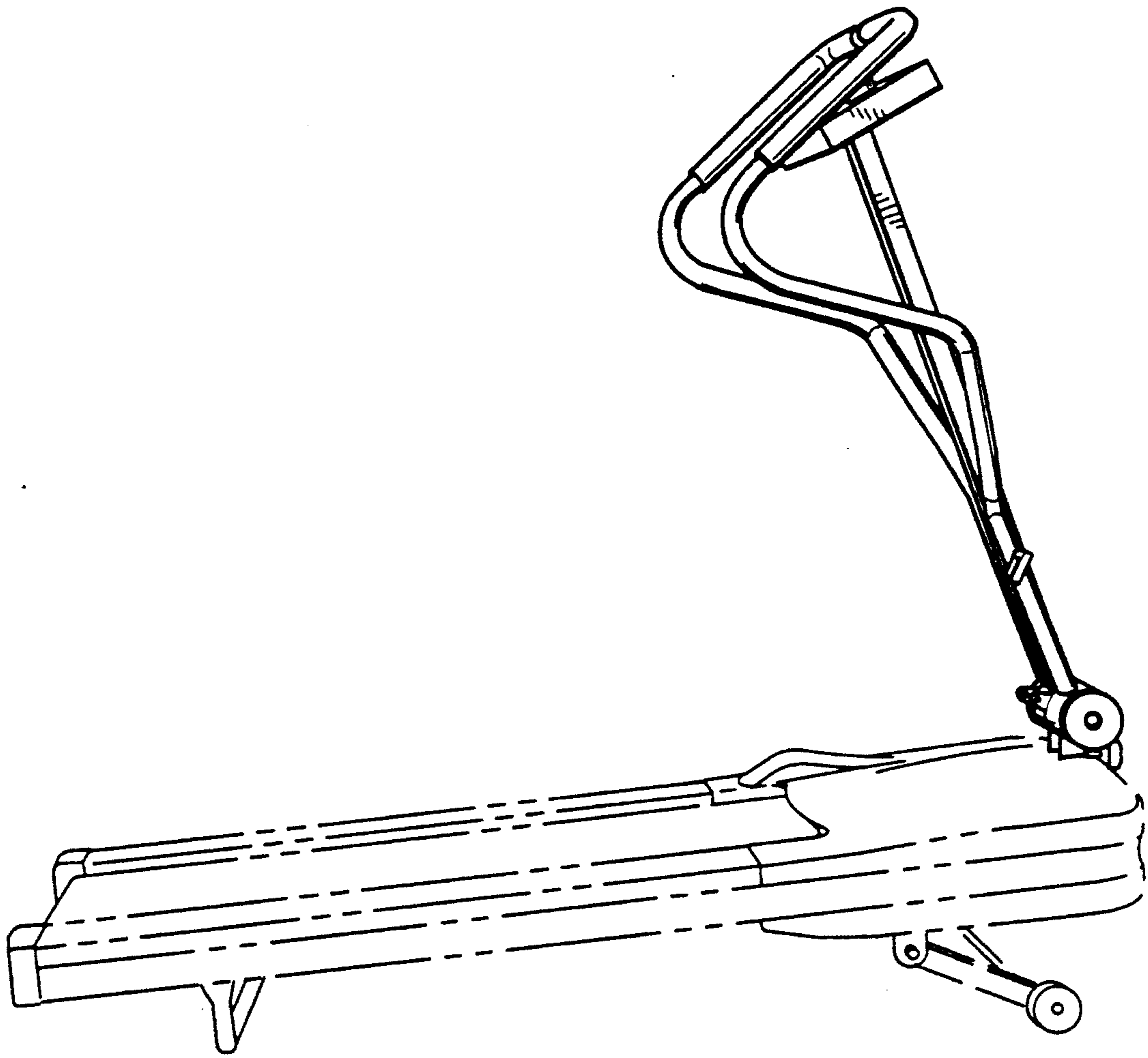
### CLAIM

[57] The ornamental design for a combined handle and console unit for an exercise machine, as shown and described.

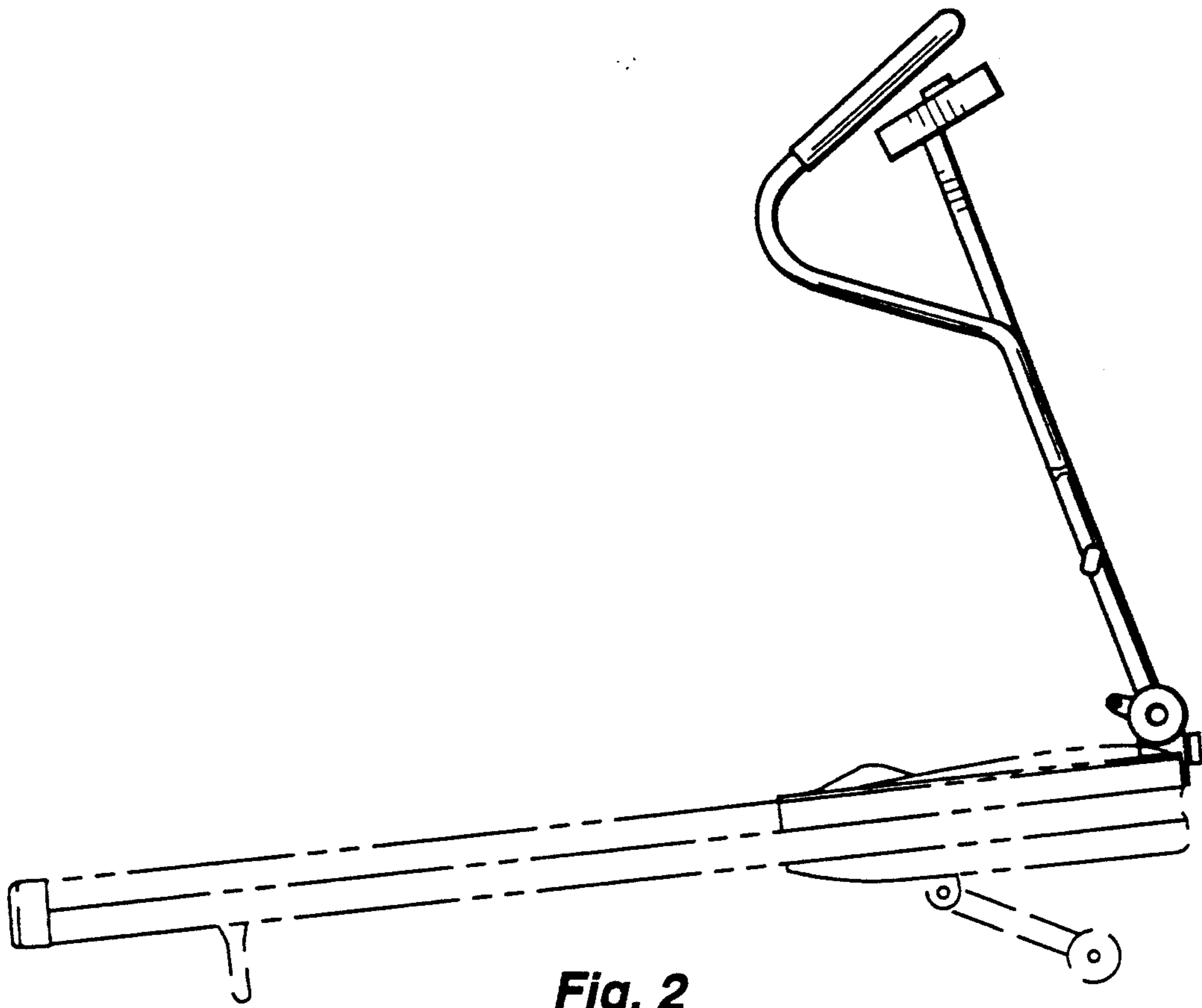
### DESCRIPTION

FIG. 1 is a perspective view of a combined handle and console unit for an exercise machine showing my design thereof;  
 FIG. 2 is a right side elevational view thereof;  
 FIG. 3 is a left side elevational view thereof;  
 FIG. 4 is a front elevational view thereof;  
 FIG. 5 is a rear elevational view thereof;  
 FIG. 6 is a top plan view thereof;  
 FIG. 7 is a bottom plan view thereof; and,  
 FIG. 8 is a perspective view thereof with the handles in alternate positions.  
 The broken line showing a combined handle and console unit for an exercise machine in FIGS. 1-8 is for illustrative purposes only and forms no part of the claimed design.

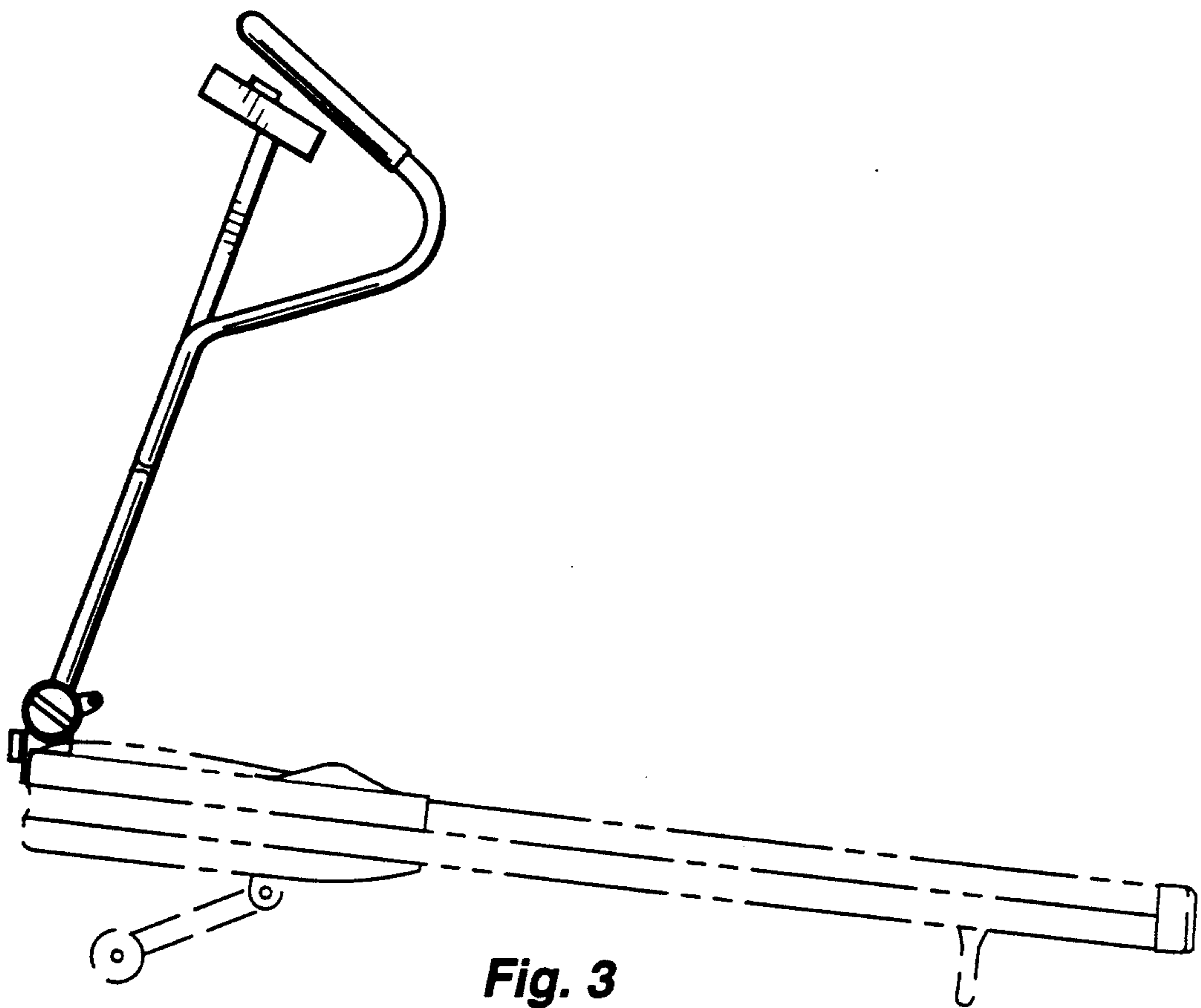




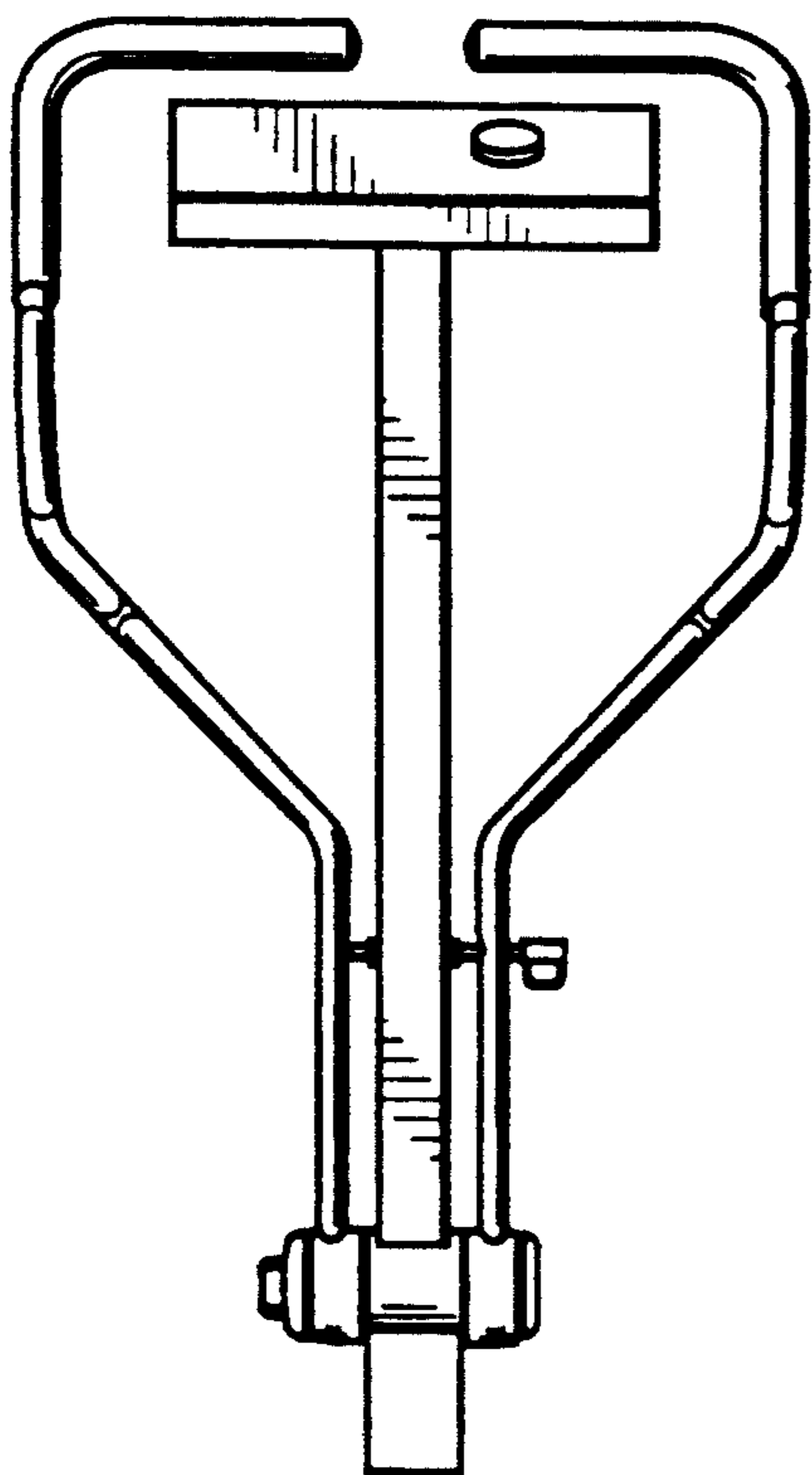
**Fig. 1**



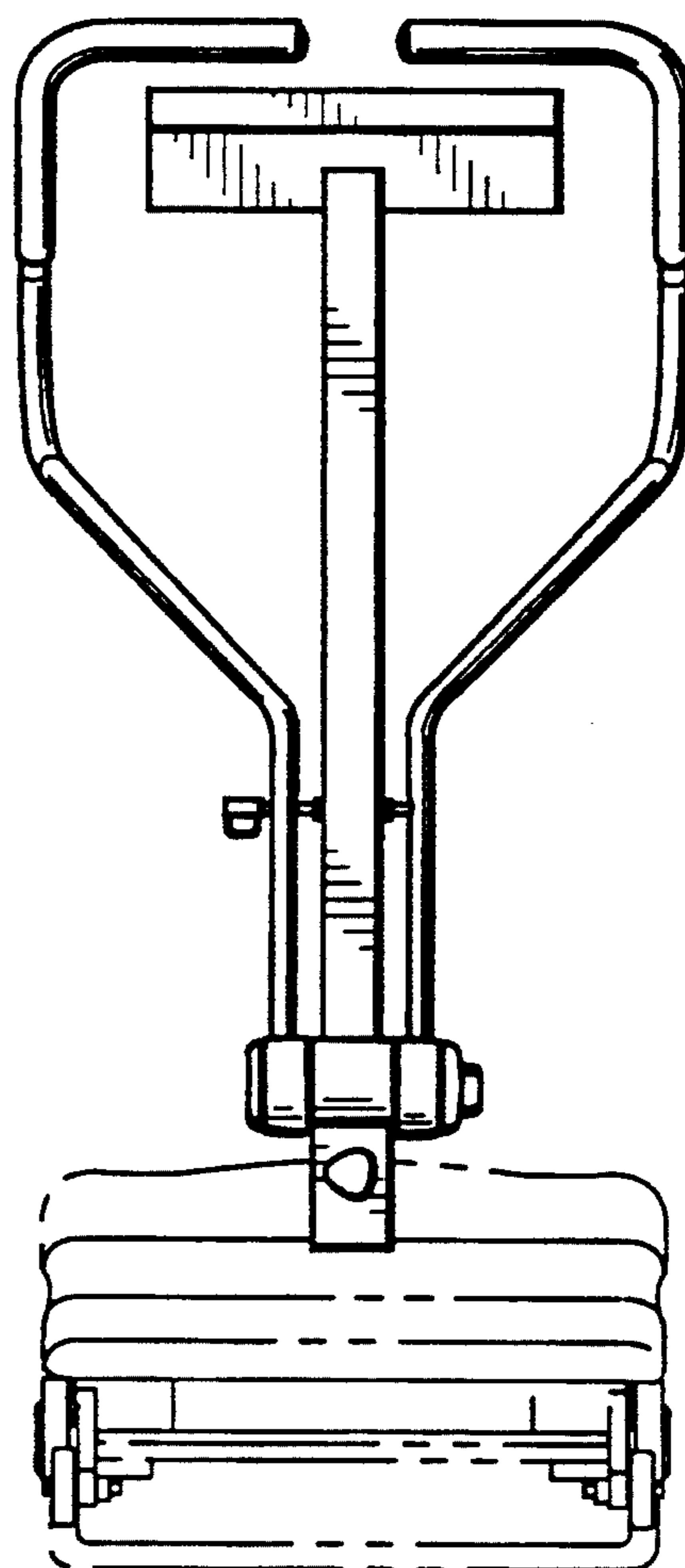
**Fig. 2**



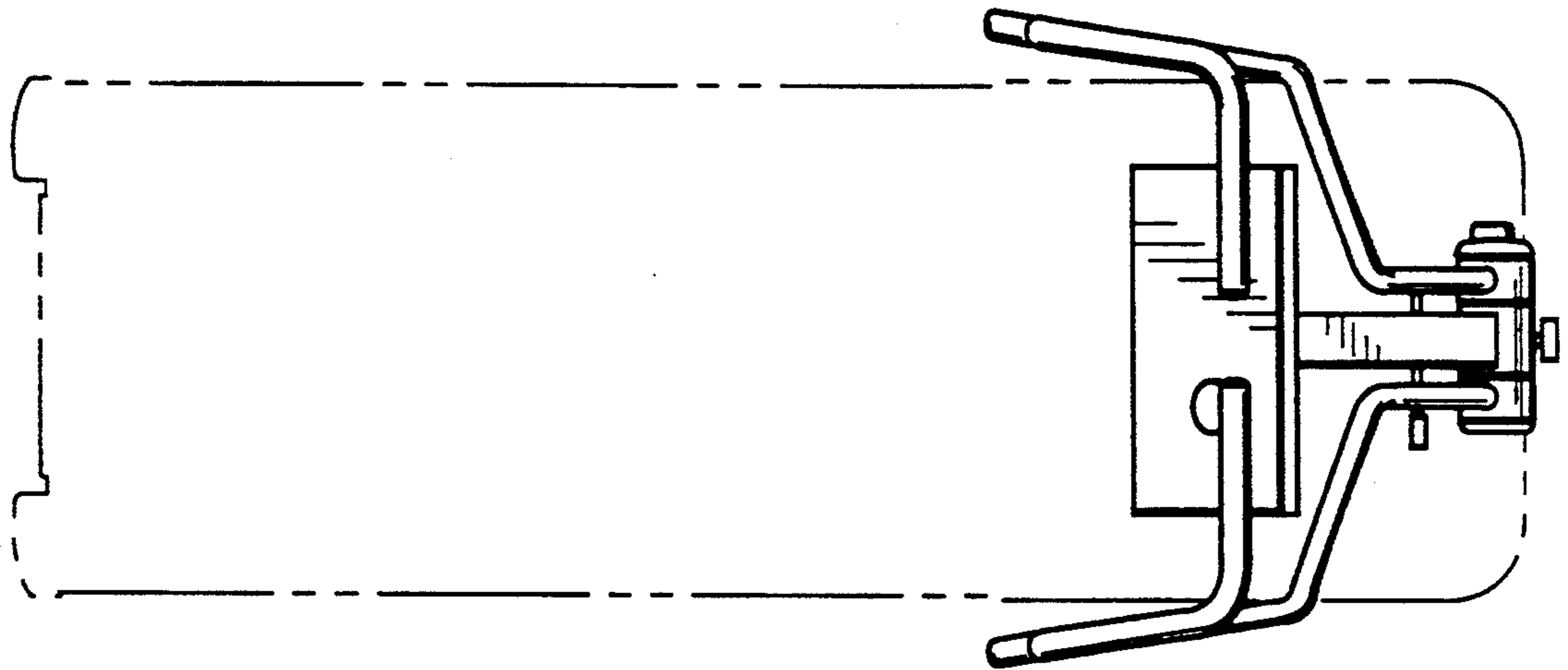
**Fig. 3**



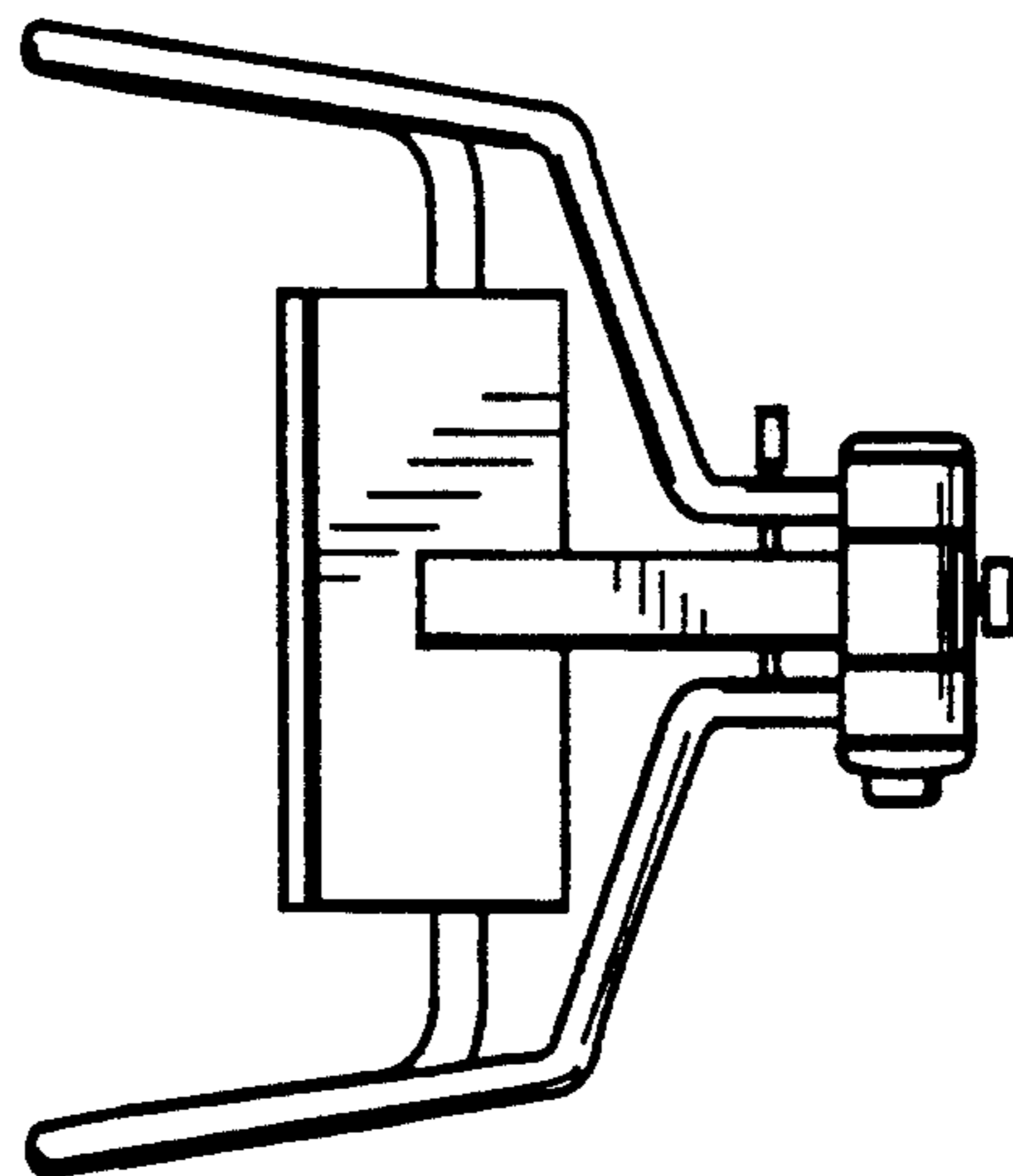
**Fig. 4**



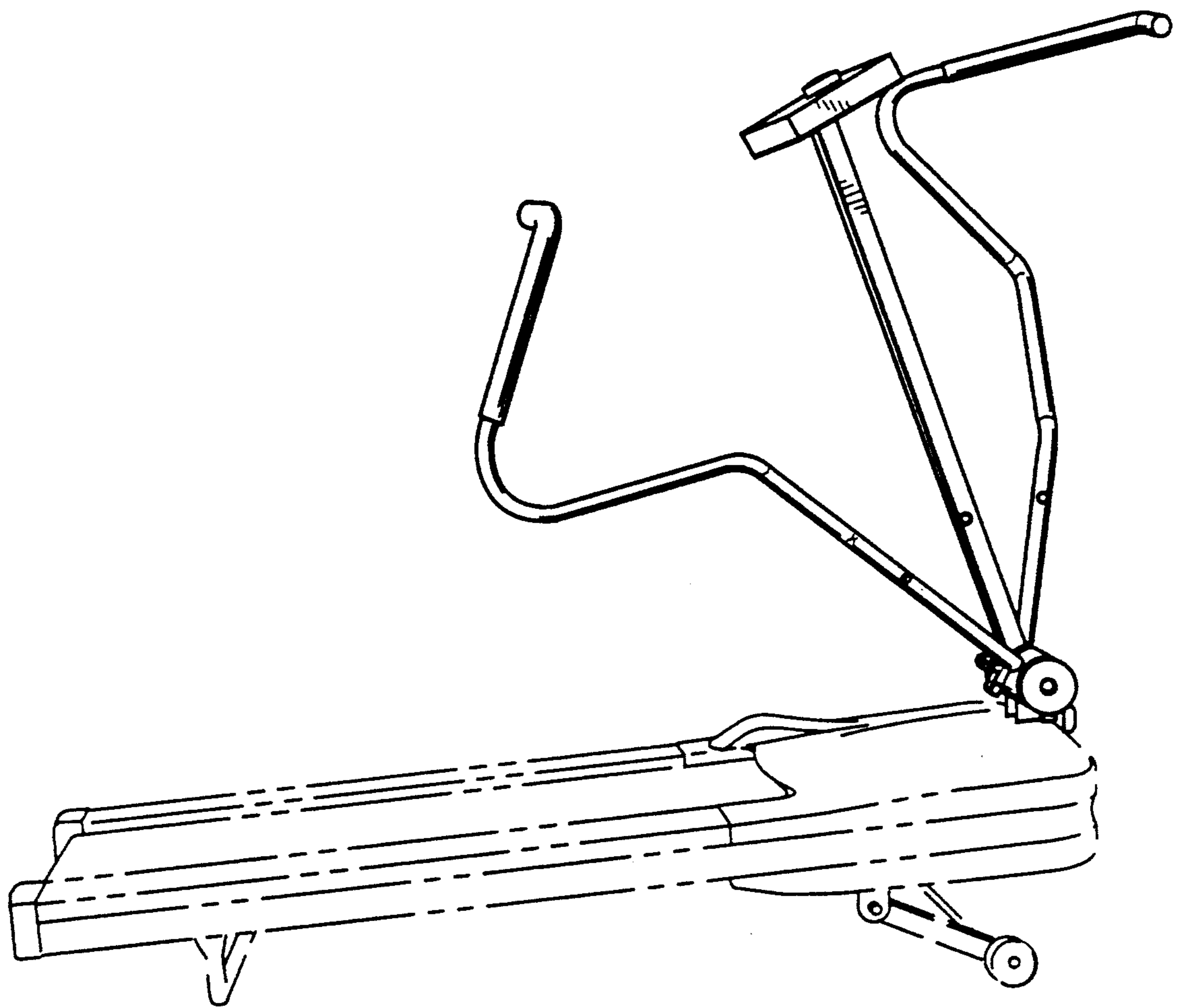
**Fig. 5**



**Fig. 6**



**Fig. 7**



**Fig. 8**

UNITED STATES PATENT AND TRADEMARK OFFICE  
**CERTIFICATE OF CORRECTION**

PATENT NO. : Des. 348,493

DATED : July 5, 1994

INVENTOR(S) : Kent Ashby

It is certified that error appears in the above-identified patent and that said Letters Patent is hereby corrected as shown below:

On the title page: Item [57]Description

line 12, after "showing" delete --a combined handle and console unit for an exercise machine" and insert therefor --a treadmill deck--.

Signed and Sealed this  
Eighth Day of November, 1994

Attest:



BRUCE LEHMAN

Attesting Officer

Commissioner of Patents and Trademarks