



US00D348489S

United States Patent [19]

[11] Patent Number: **Des. 348,489**

Monneret

[45] Date of Patent: **** Jul. 5, 1994**

[54] **TOY BABY CARRIAGE**

[75] Inventor: **Alain Monneret, Voiteur, France**

[73] Assignee: **Monneret Jouets Societe Anonyme, Lons Le Saunier, France**

[**] Term: **14 Years**

[21] Appl. No.: **899,384**

[22] Filed: **Jun. 16, 1992**

[30] **Foreign Application Priority Data**

Dec. 20, 1991 [WO] World Int. Prop. O. DM/021490

[52] U.S. Cl. **D21/134**

[58] Field of Search 446/451, 227;
280/47.36, 642, 643, 644, 658; D21/134, 124;
D12/129

[56] **References Cited**

U.S. PATENT DOCUMENTS

D. 300,310 3/1989 Kassai D12/129

D. 337,357	7/1993	Monneret	D21/134
D. 341,555	11/1993	Cone	D12/129
5,029,886	7/1991	Takahashi	280/642
5,056,805	10/1991	Wang	280/658
5,205,579	4/1993	Kato	280/642

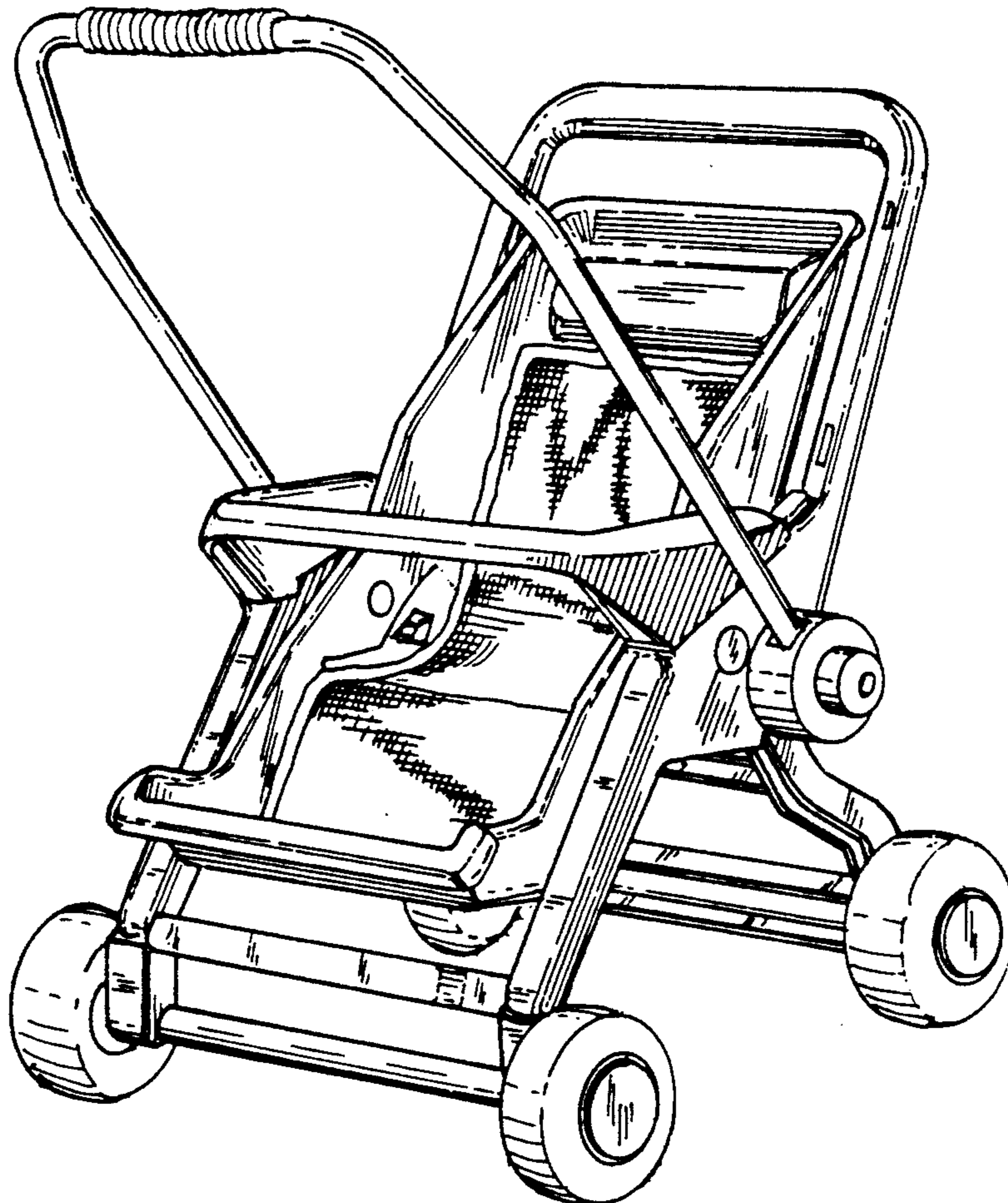
Primary Examiner—Bernard Ansher
Assistant Examiner—R. Barkai
Attorney, Agent, or Firm—Young & Thompson

[57] **CLAIM**

The ornamental design for a toy baby carriage, as shown and described.

DESCRIPTION

FIG. 1 is a front and top and side perspective view of a toy baby carriage showing my new design; FIG. 2 is a front elevational view thereof; FIG. 3 is a side elevational view thereof from the right of FIG. 2, the side opposite that shown in FIG. 3 being the mirror image thereof; FIG. 4 is a rear elevational view thereof; and, FIG. 5 is a top plan view thereof.



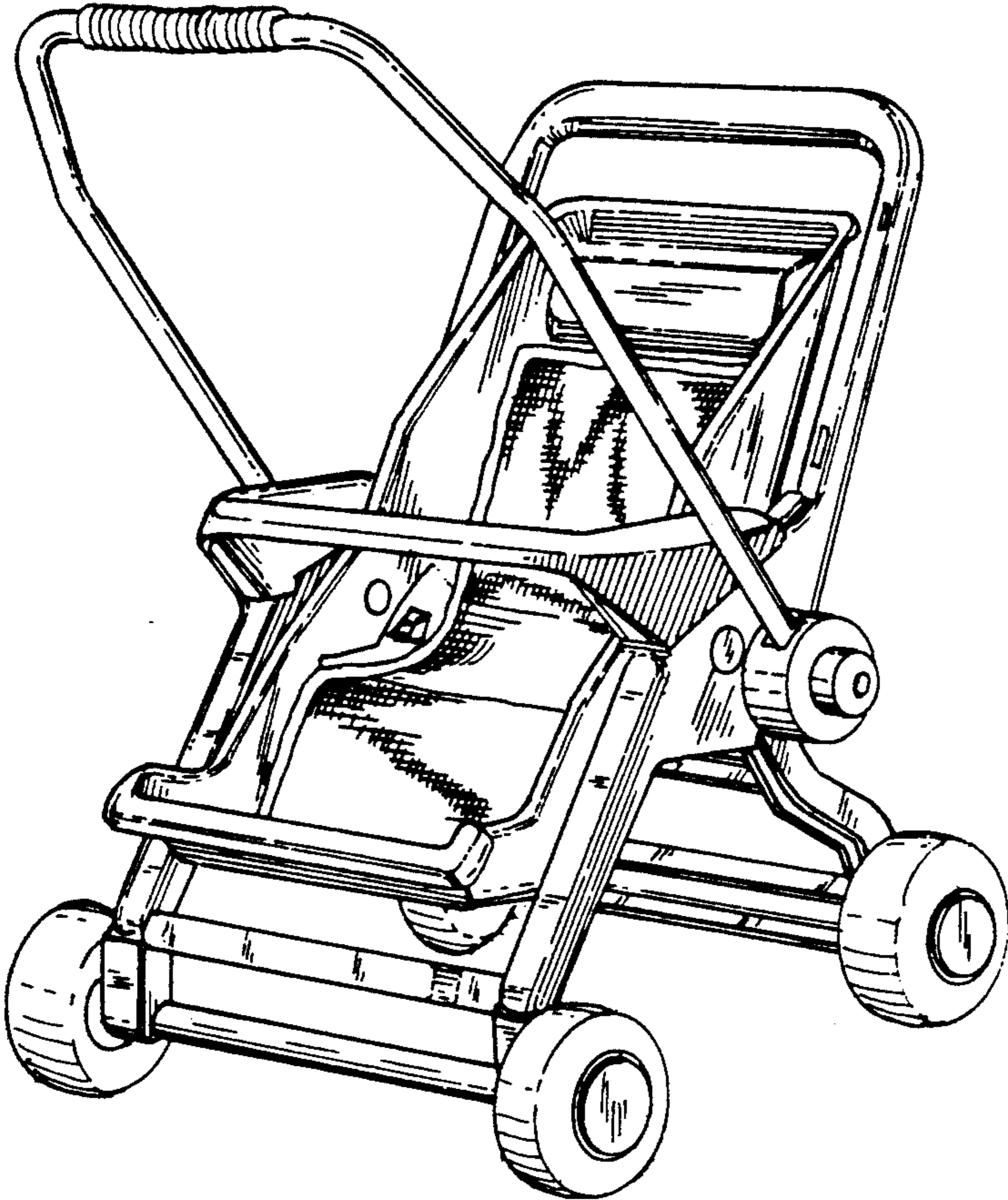


FIG. 1

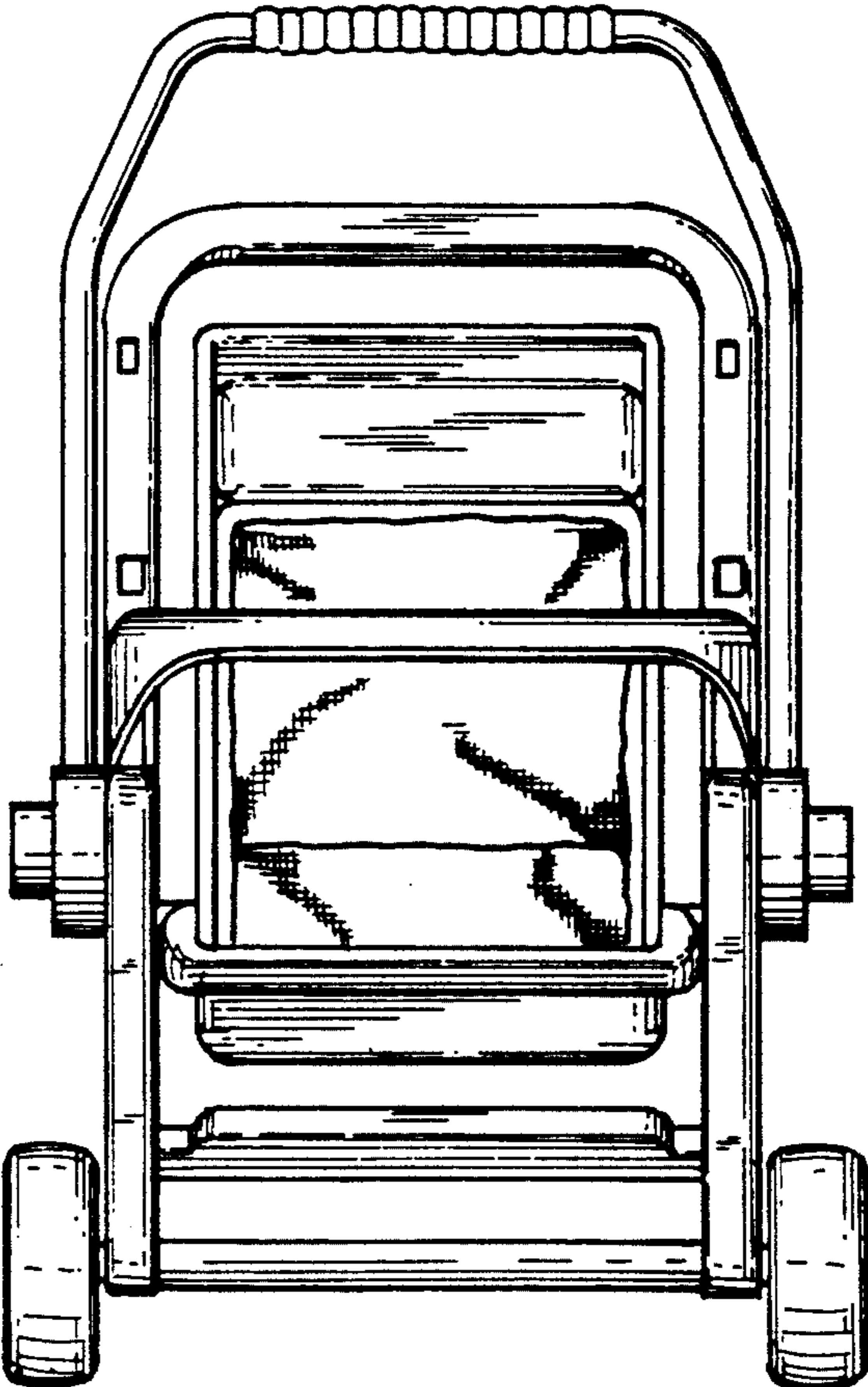


FIG. 2

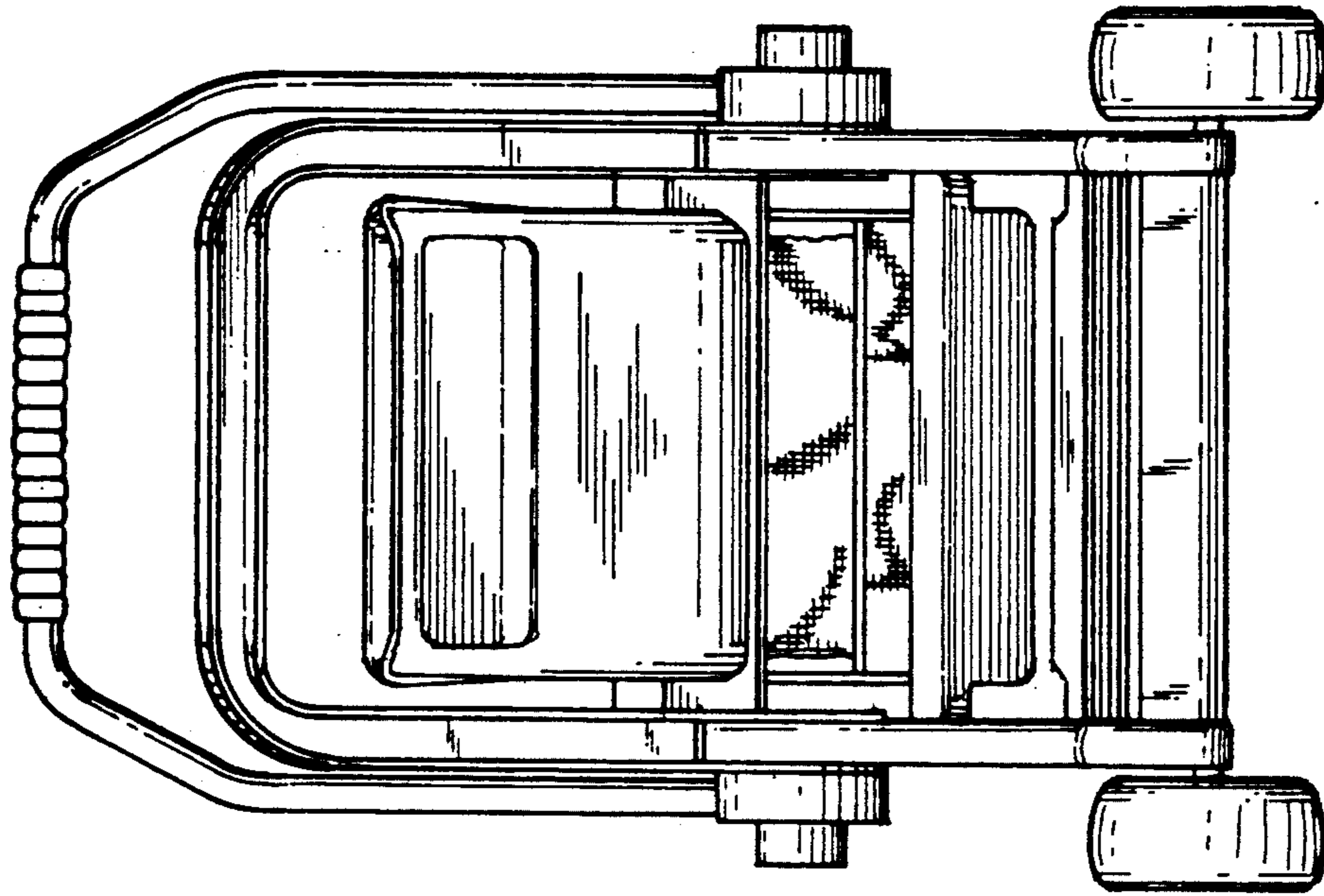


FIG. 4

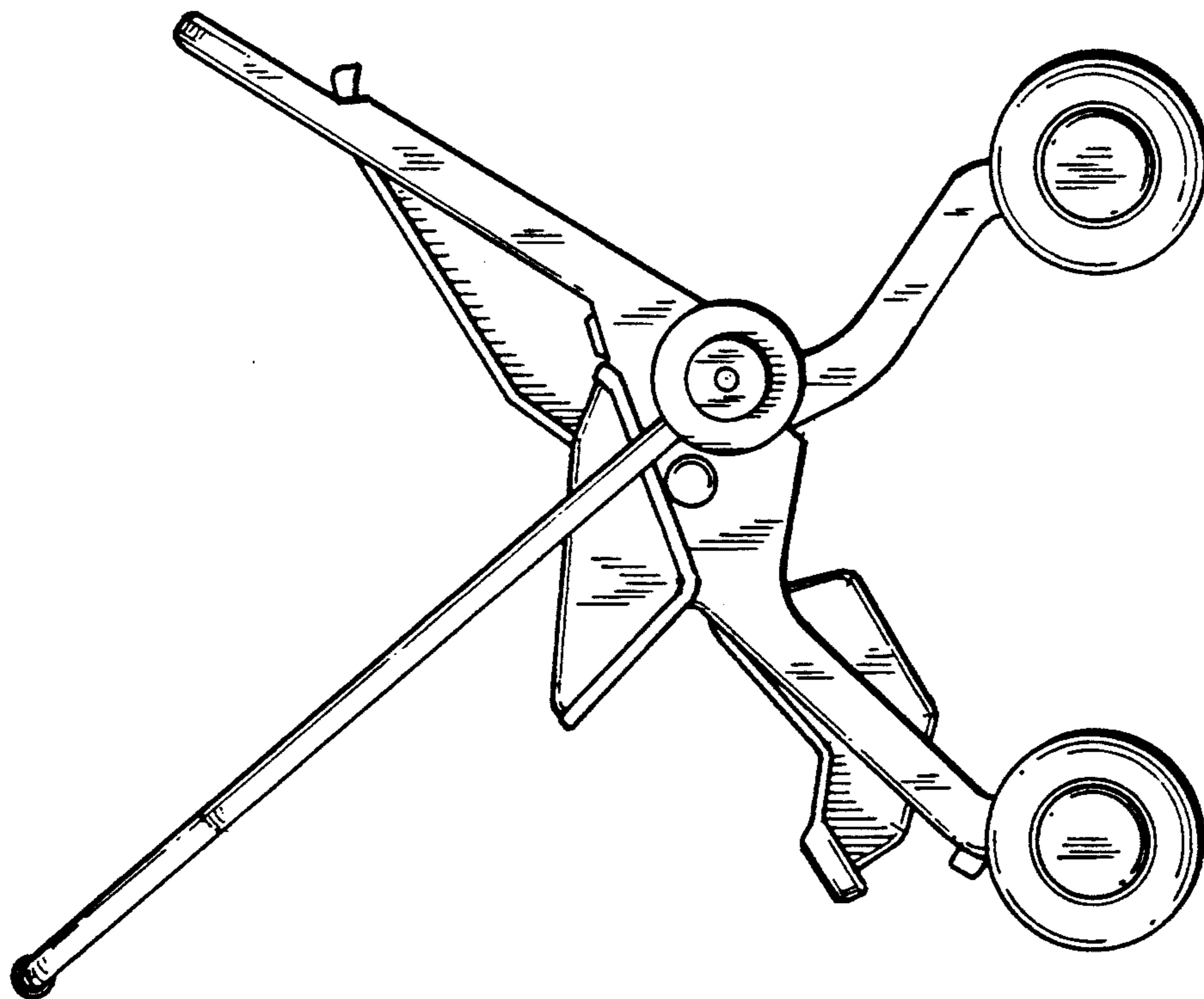


FIG. 3

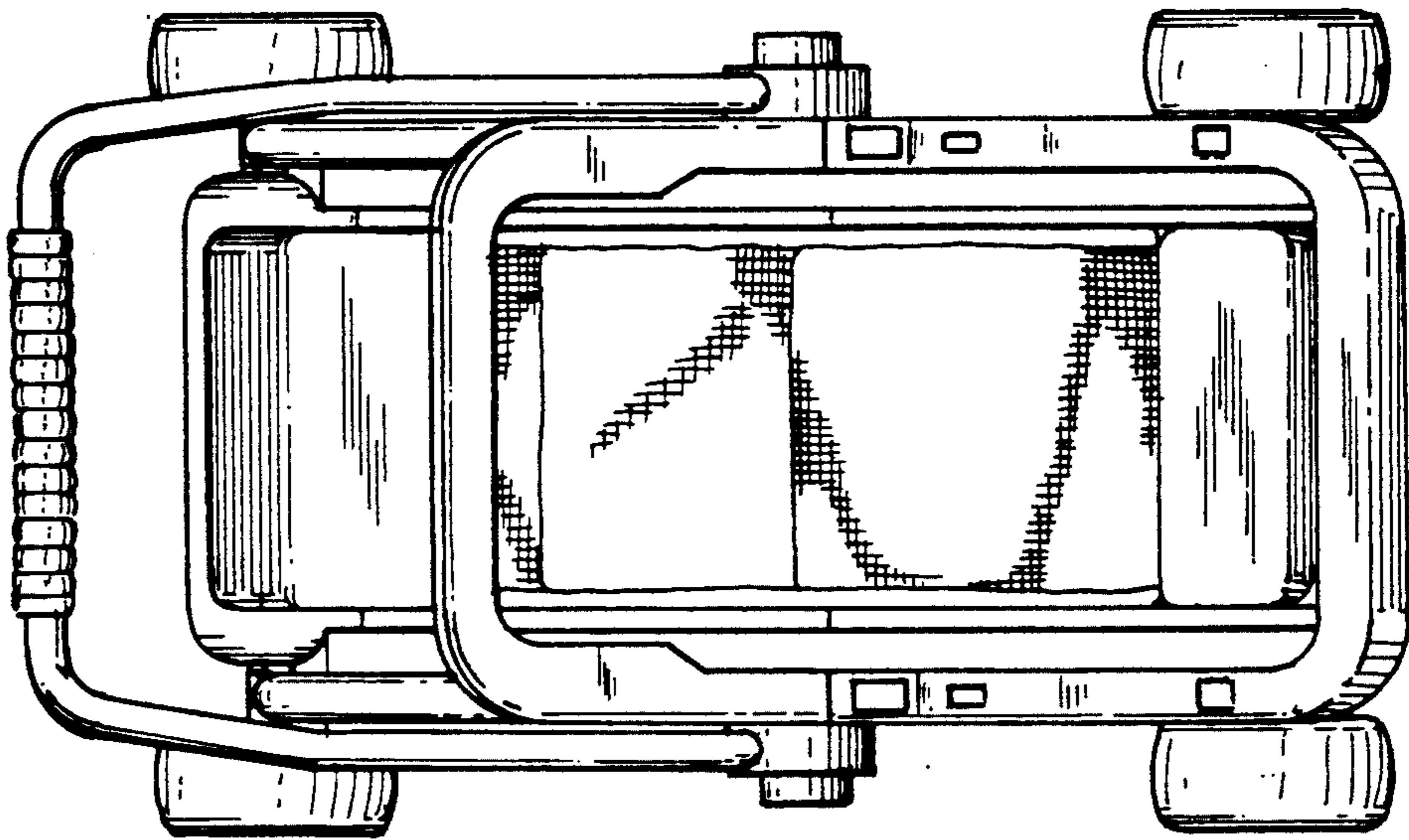


FIG. 5