



US00D348488S

United States Patent [19]

[11] Patent Number: **Des. 348,488**

Overman

[45] Date of Patent: **** Jul. 5, 1994**

[54] **THREE DIMENSIONAL GAME**

1109204 4/1968 United Kingdom 273/241
1160120 7/1969 United Kingdom 273/241

[76] Inventor: **Bobby D. Overman, 4975**
Woodbrook Ct., Colorado Springs,
Colo. 80917

OTHER PUBLICATIONS

Total Chess, by Charles Beatty Mar. 1946 p. 2 "Stan-
dard" board.
Hanover House Catalog, Aug. 1972 Tic-Tac-Toe
Game.

[**] Term: **14 Years**

Primary Examiner—Bernard Ansher
Assistant Examiner—Sandra Morris
Attorney, Agent, or Firm—Terry M. Gernstein

[21] Appl. No.: **2,577**

[22] Filed: **Dec. 21, 1992**

[52] U.S. Cl. **D21/23**

[58] Field of Search 273/236-285;
D21/14-36

[57] **CLAIM**

The ornamental design for a three dimensional game, as
shown and described.

[56] **References Cited**

U.S. PATENT DOCUMENTS

- D. 217,975 7/1970 Pruett 273/241
- D. 296,798 7/1988 Smith D21/23
- 2,313,473 3/1943 Heacock et al. 273/241
- 4,119,320 10/1978 Chorba .
- 4,143,878 3/1979 Unique .
- 4,204,685 5/1980 Jones .

FOREIGN PATENT DOCUMENTS

- 799341 11/1968 Canada 273/241
- 2319914 9/1974 Fed. Rep. of Germany 273/241

DESCRIPTION

FIG. 1 is a front, top and side perspective view of the
three dimensional game embodying the design of the
present invention;
FIG. 2 is a front elevational view thereof, the rear being
a mirror image of the front shown in FIG. 2;
FIG. 3 is a side elevational view thereof, the side oppo-
site being a mirror image of the side shown in FIG. 3;
FIG. 4 is a top plan view thereof; and,
FIG. 5 is a bottom plan view thereof.

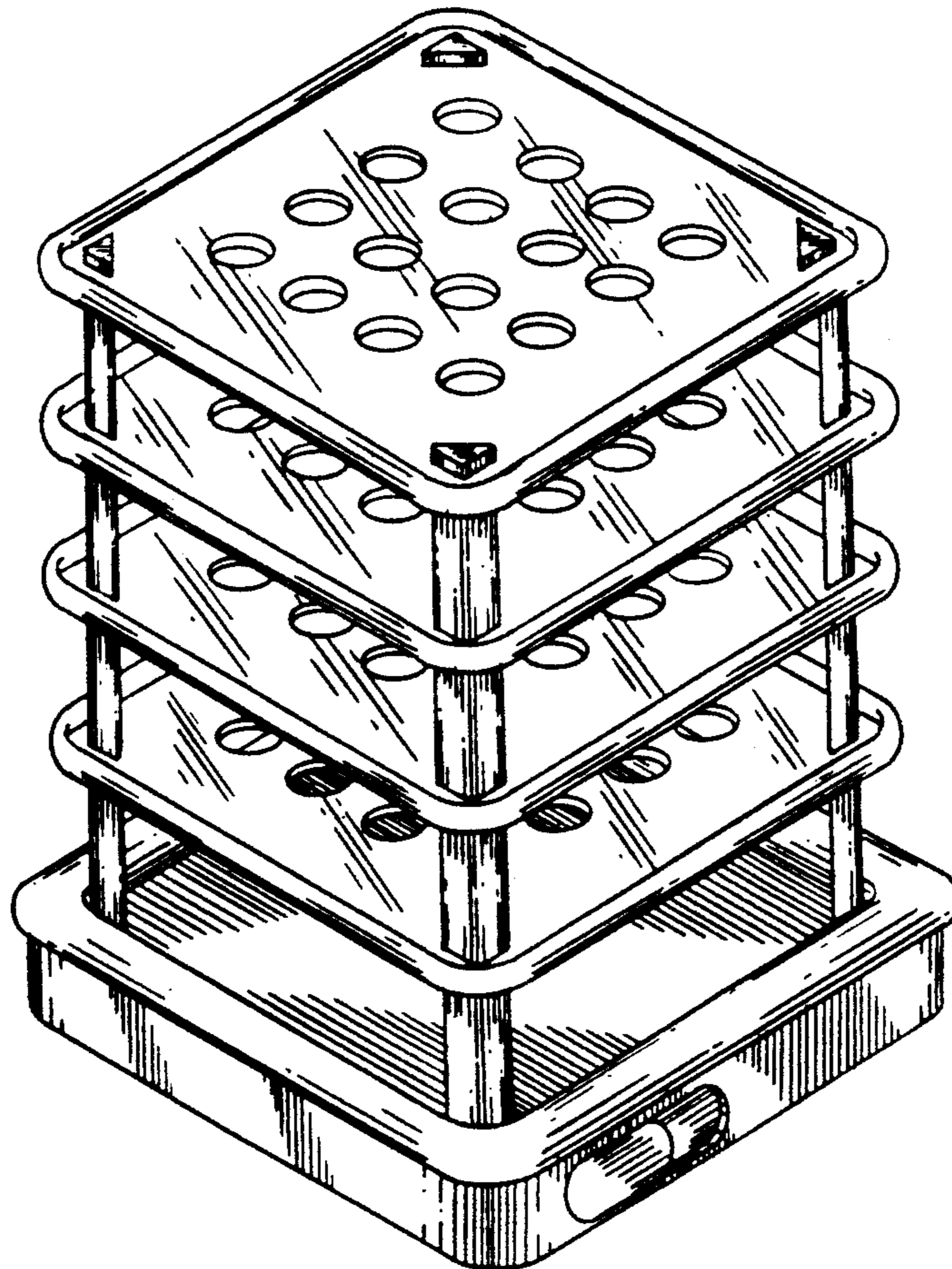


FIG. 1.

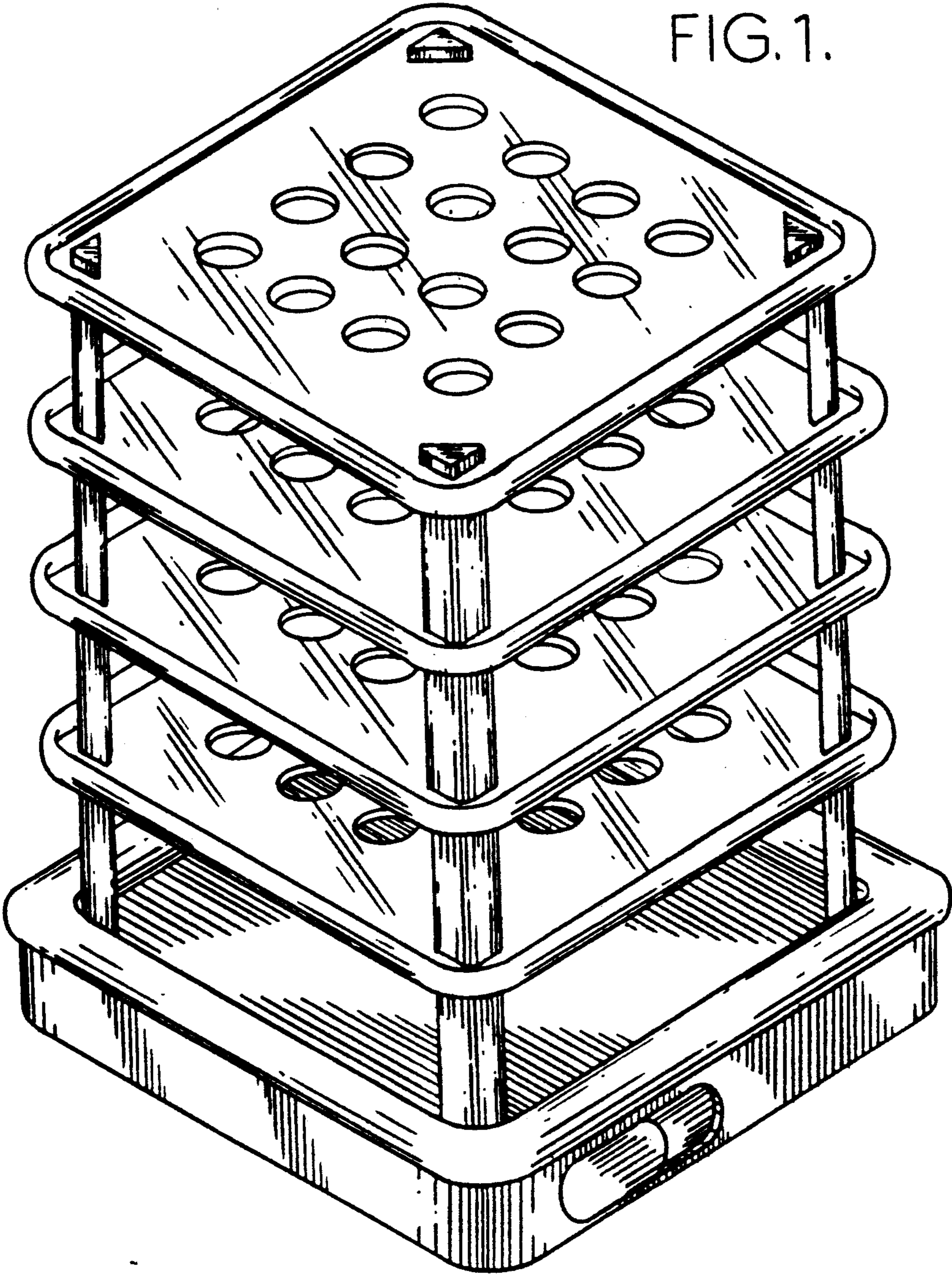


FIG. 5.

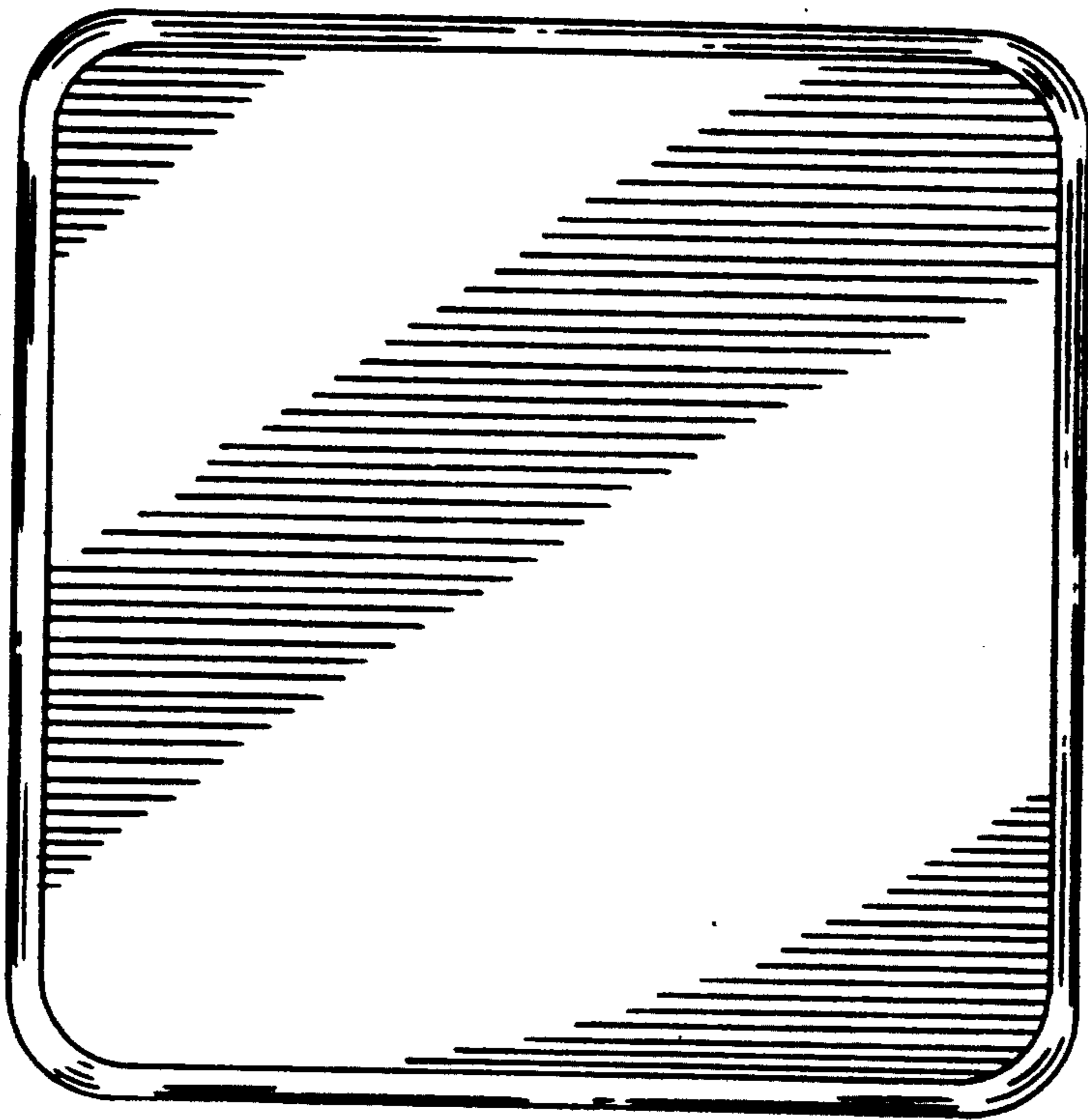


FIG. 2.

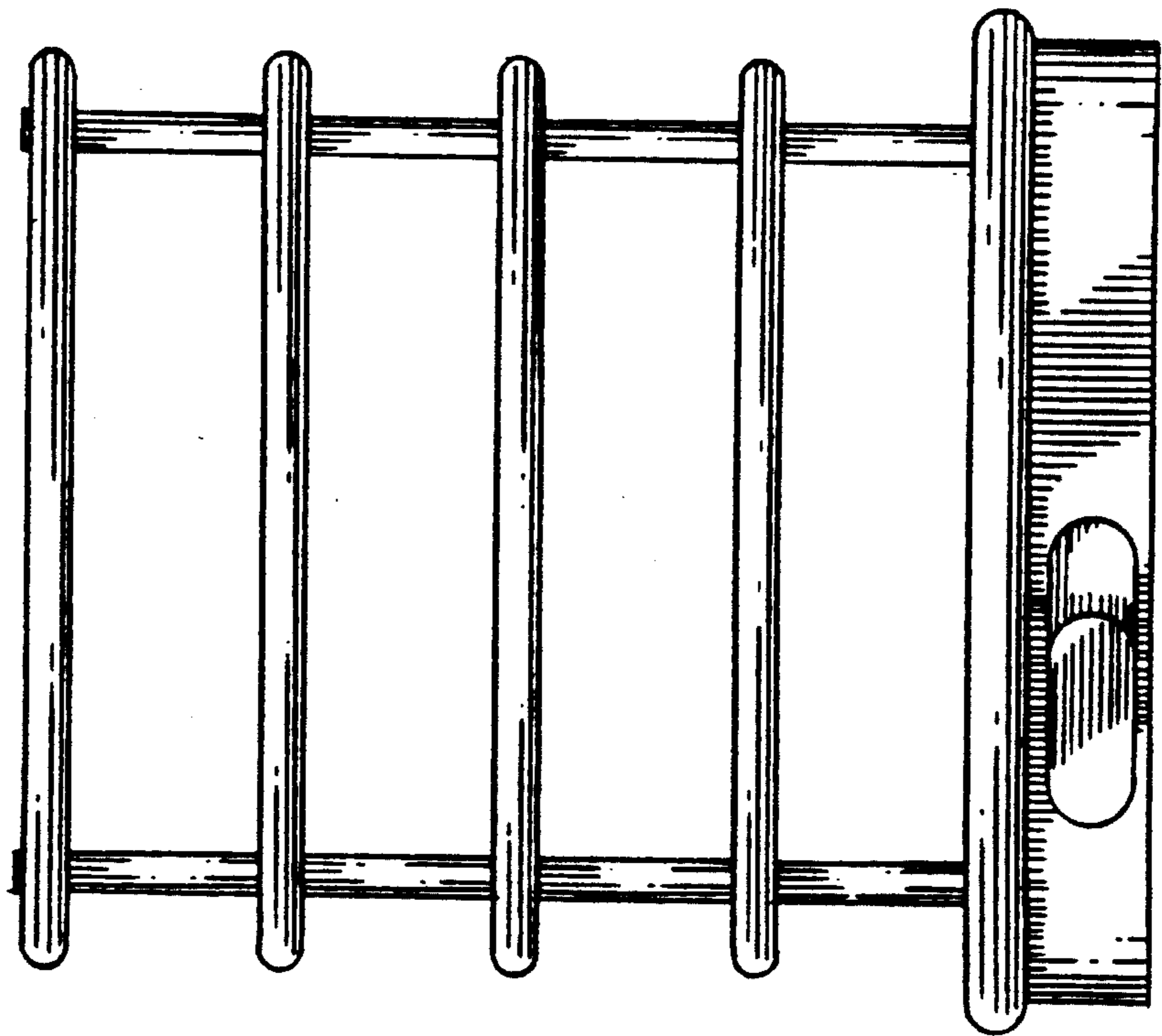


FIG. 3.

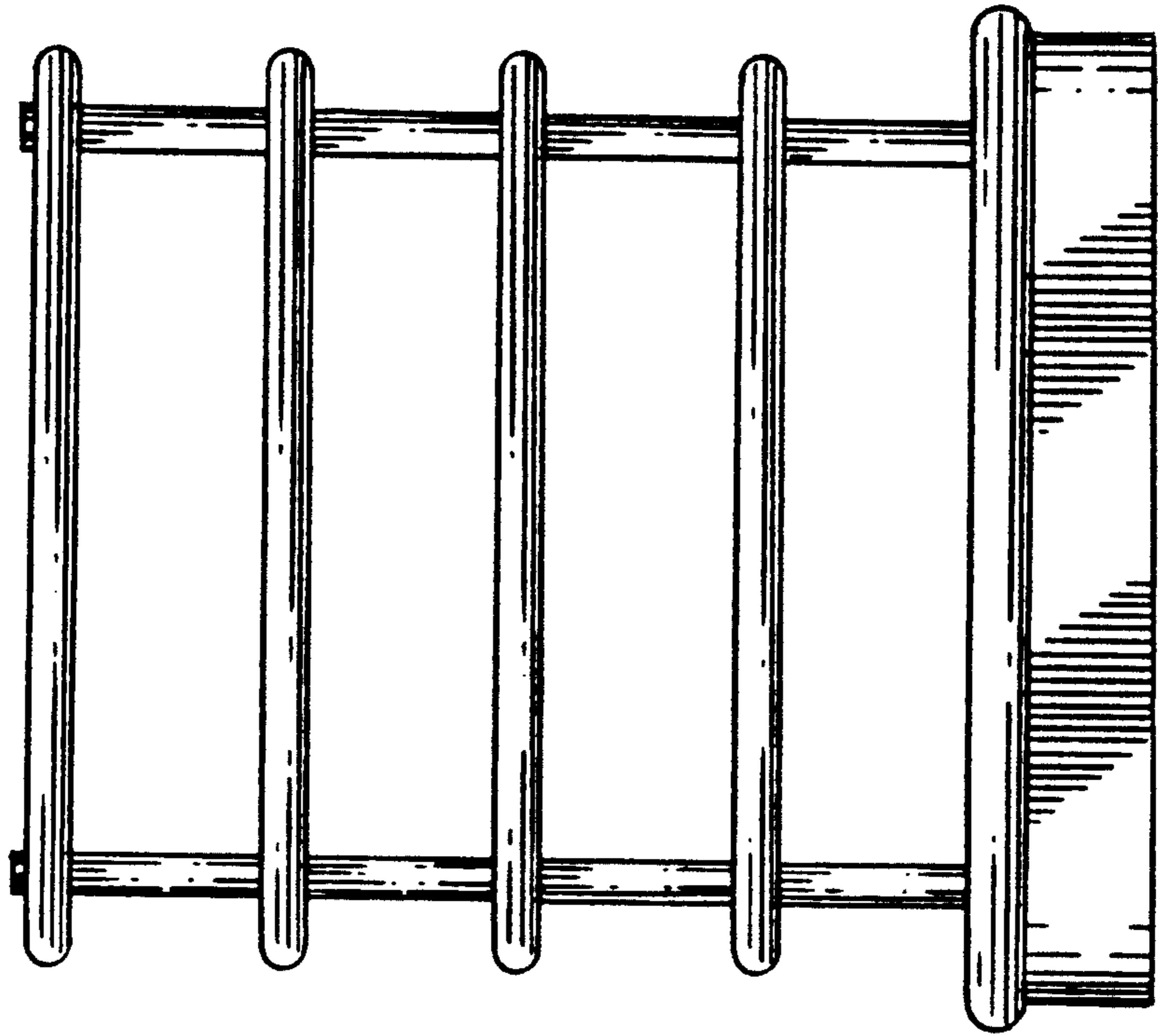


FIG. 4.

