



US00D348486S

# United States Patent [19]

[11] Patent Number: Des. 348,486

Fischtein et al.

[45] Date of Patent: \*\* Jul. 5, 1994

[54] CARDHOLDER

D. 285,504	9/1986	Messer	.....	D6/300
D. 288,746	3/1987	Allekotte	.....	D6/300
D. 315,364	2/1991	Scalice et al.	.....	D20/40
4,479,317	10/1984	Hanna	.....	40/299

[75] Inventors: Morris Fischtein, Downsview; Ira Carlin, Thornhill, both of Canada

[73] Assignee: Pro-Index Corp., Concord, Canada

Primary Examiner—Wallace R. Burke  
Assistant Examiner—Marcus Jackson  
Attorney, Agent, or Firm—Riches, McKenzie & Herbert

[\*\*] Term: 14 Years

[21] Appl. No.: 1,215

## [57] CLAIM

[22] Filed: Nov. 6, 1992

The ornamental design for a cardholder, as shown and described.

[30] Foreign Application Priority Data

## DESCRIPTION

Jul. 7, 1992 [CA] Canada ..... 07-07-92-18

[52] U.S. Cl. .... D20/40

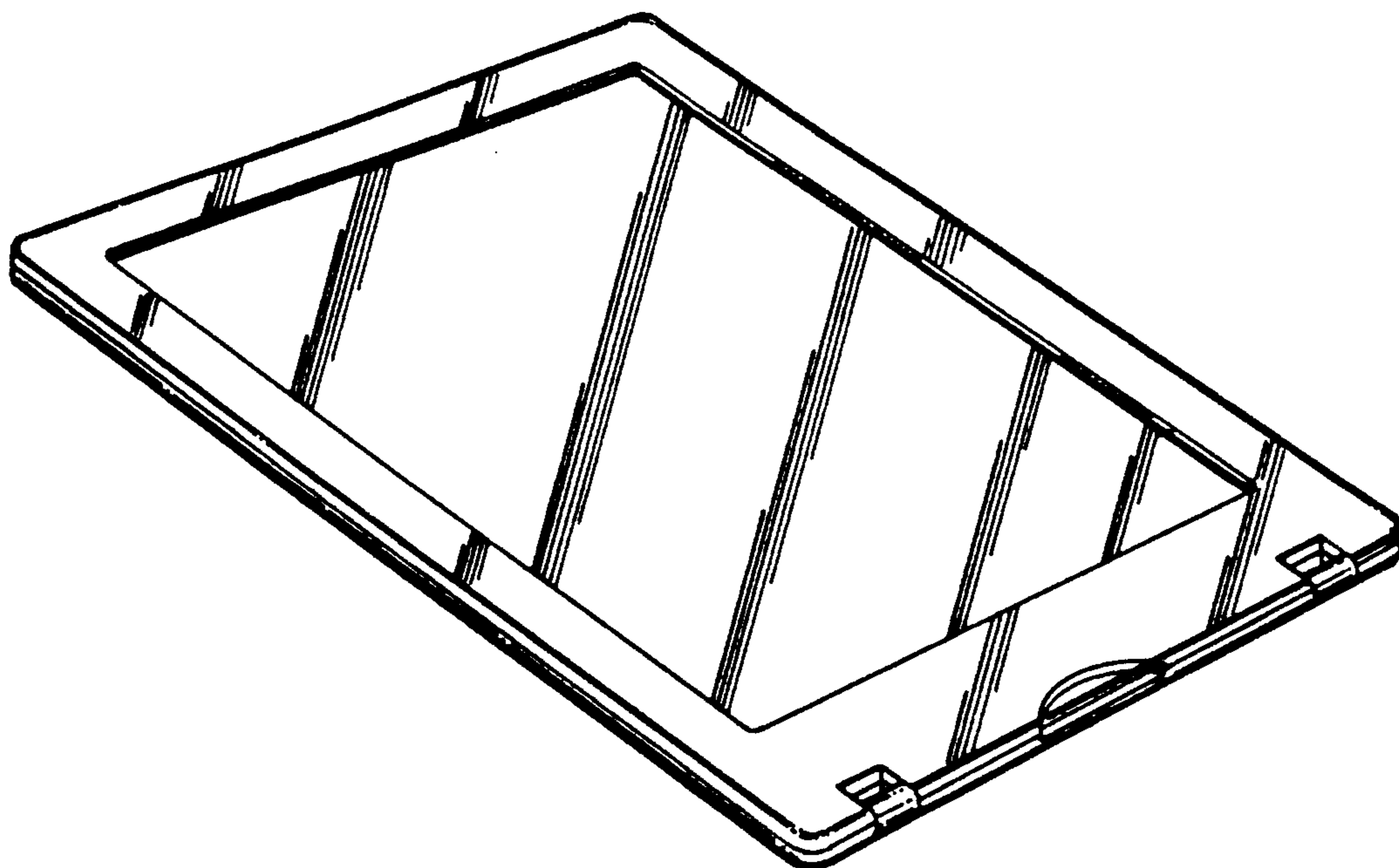
[58] Field of Search ..... D6/300, 301, 302, 303, D6/311, 312, 313, 314; 40/1, 124, 124.1, 124.2, 124.4, 152, 154, 156, 157, 299; D20/10, 40, 42

FIG. 1 is a front perspective view of a cardholder, showing our new design;  
FIG. 2 is a top plan view;  
FIG. 3 is an end elevational view thereof;  
FIG. 4 is an end elevational view of the other end shown in FIG. 3;  
FIG. 5 is a bottom plan view thereof;  
FIG. 6 is a side elevational view; and,  
FIG. 7 is a side elevational view of the other side shown in FIG. 6.

[56] References Cited

### U.S. PATENT DOCUMENTS

D. 265,485	7/1982	Liptak	.....	D20/10
D. 277,388	1/1985	Ackeret	.....	D6/300



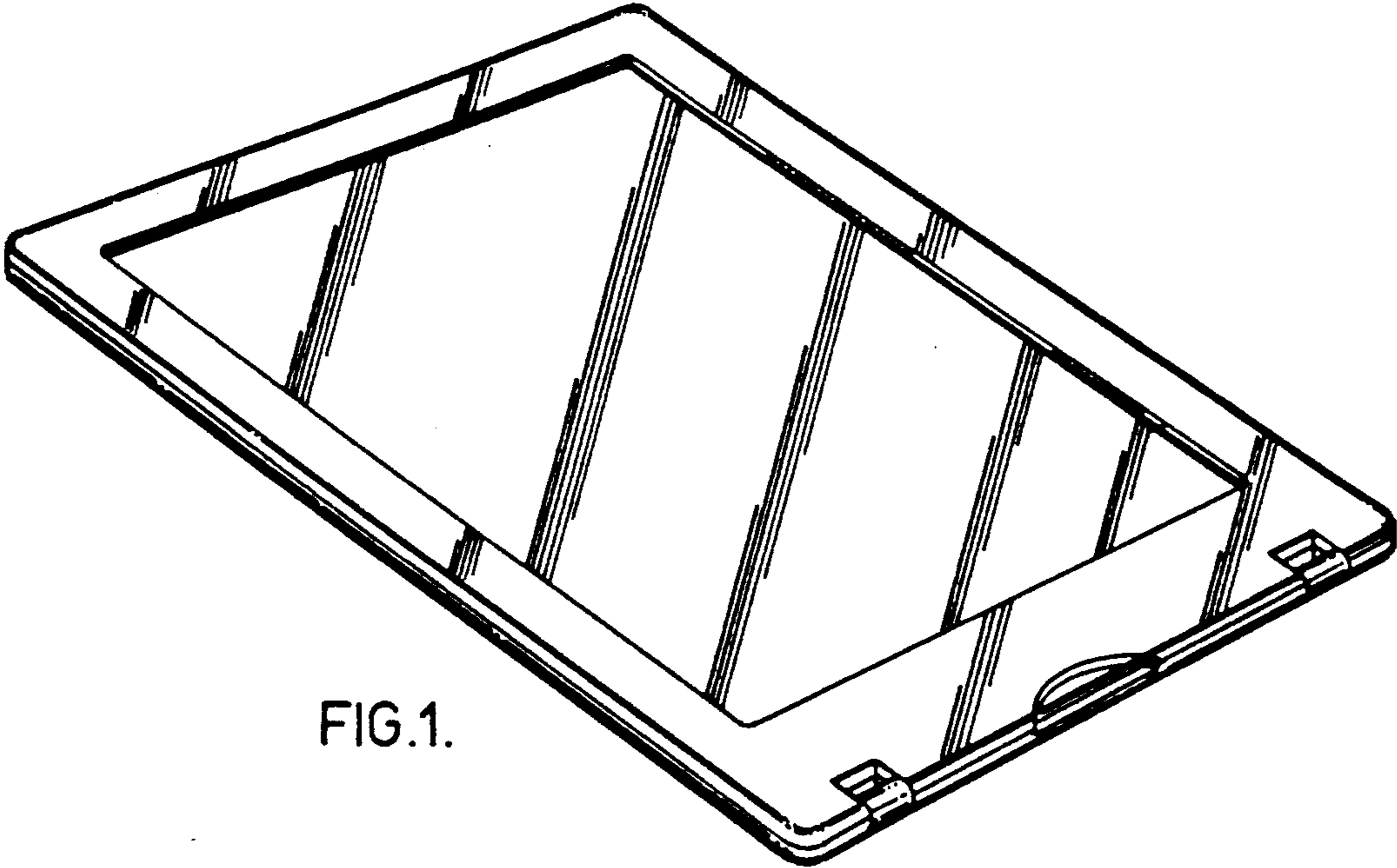


FIG. 2.

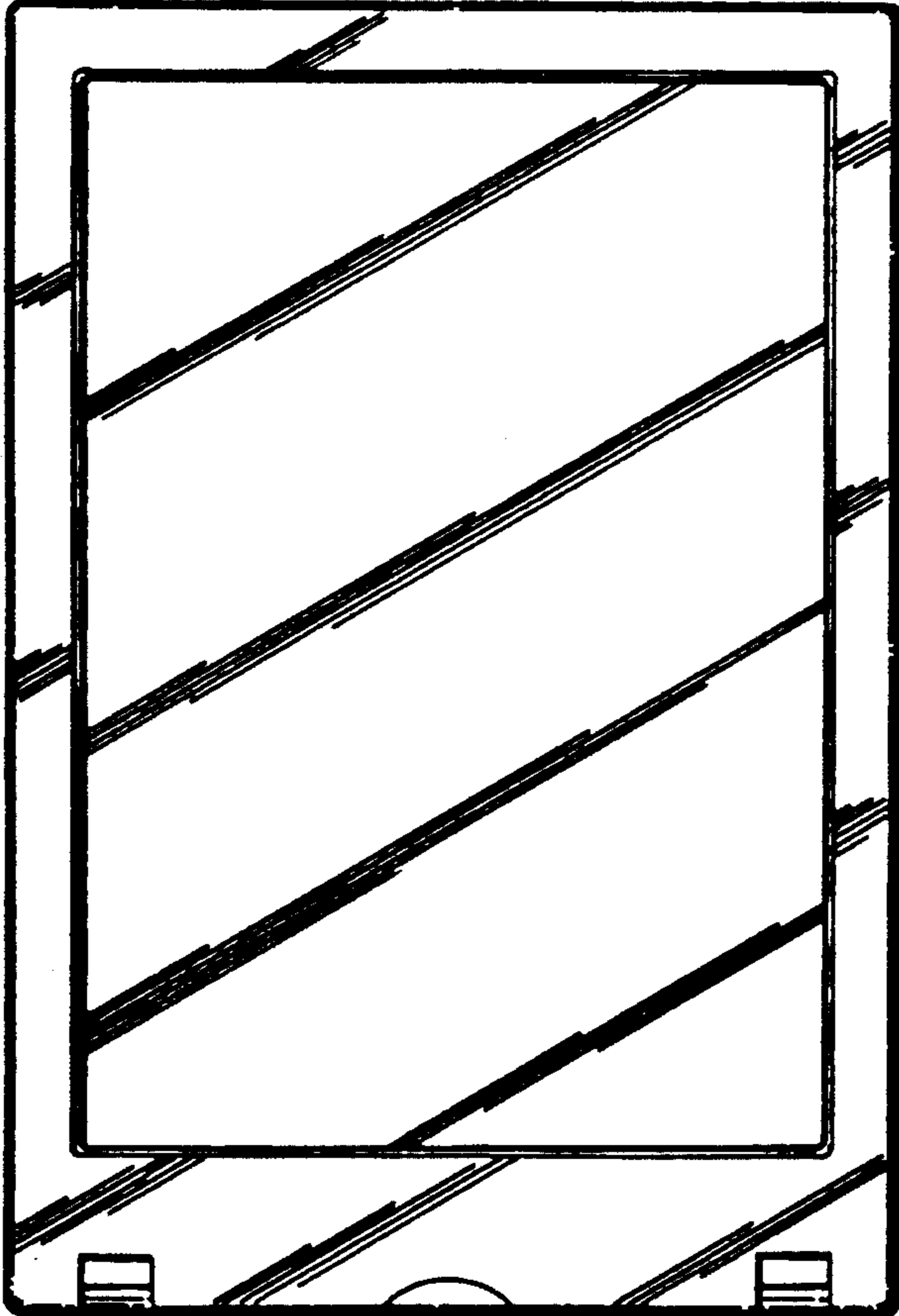


FIG. 3.



FIG. 4.



FIG. 5.

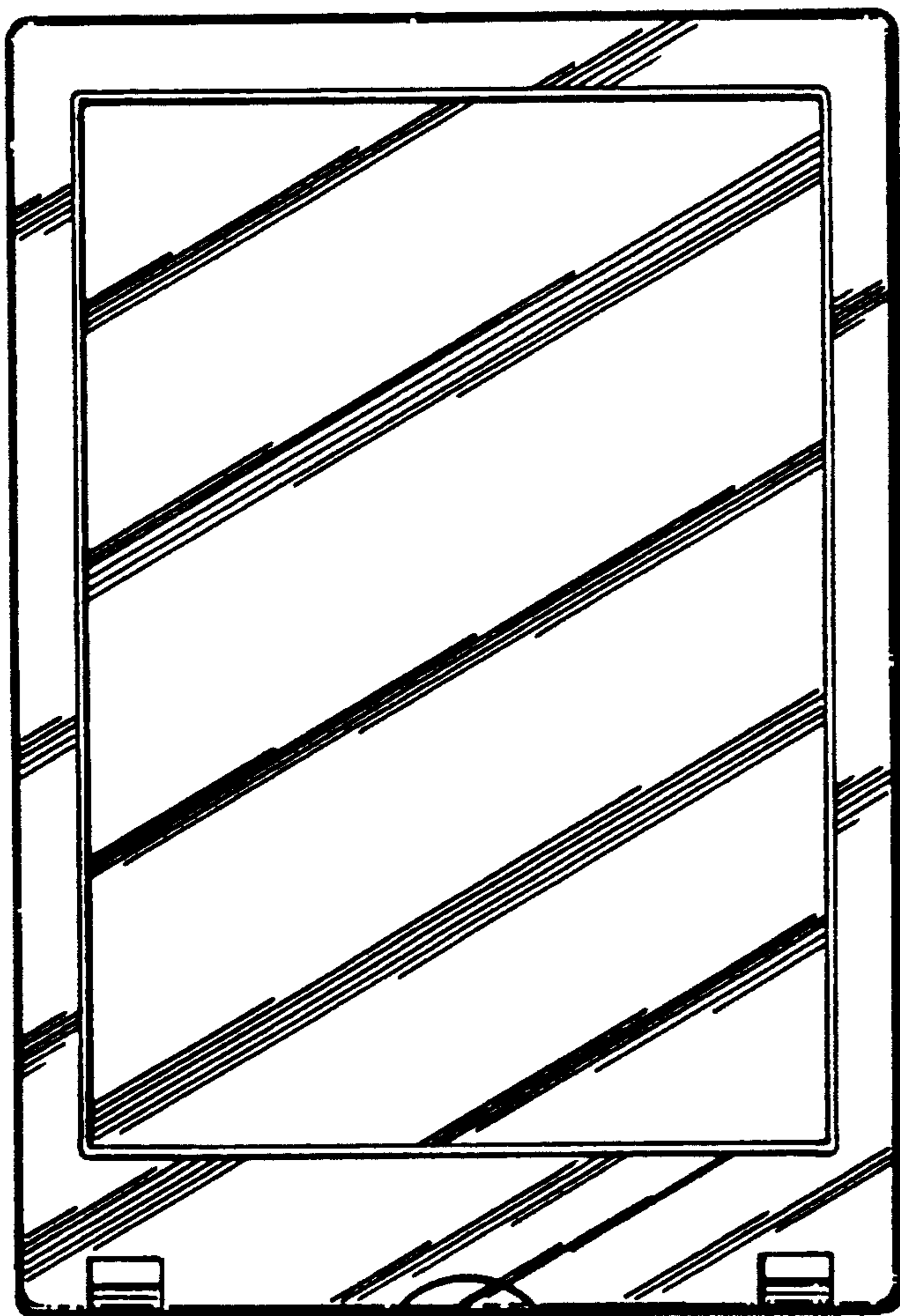


FIG. 6. FIG. 7.

