



US00D348485S

United States Patent [19]

[11] Patent Number: **Des. 348,485**

Short

[45] Date of Patent: **** Jul. 5, 1994**

[54] **CARD HOLDER**

[76] Inventor: **Brian T. Short**, 9921 NE. 116th #10, Kirkland, Wash. 98033

[**] Term: **14 Years**

[21] Appl. No.: **81**

[22] Filed: **Oct. 2, 1992**

[52] U.S. Cl. **D19/90; D6/553; D6/569; D20/43**

[58] Field of Search **D6/513, 553, 567, 569, D6/571; 40/156; 211/11, 13, 50, 45, 48, 87, 88; 248/447.1, 449; D19/65, 78, 86, 90, 91, 99, 100; D20/40, 43**

[56] **References Cited**

U.S. PATENT DOCUMENTS

D. 057,831	5/1921	Frederick	D6/553
D. 162,153	2/1951	Gilfert	D19/78
D. 179,993	4/1957	Waxman et al.	D19/78 X
D. 223,617	5/1972	Smith	D6/569
D. 298,500	11/1988	Hisey	D6/553 X
D. 308,784	6/1990	Liptak	D6/553
D. 318,771	8/1991	Wellner	D6/569
D. 329,558	9/1992	Keown	D6/515
D. 331,855	12/1992	Kaplan	D6/553 X

D. 342,180	12/1993	Kirlin	D20/43 X
2,409,814	10/1946	Vargish .	
3,086,658	4/1963	Palmer .	
4,844,264	7/1989	Deskiewicz, Jr. .	

OTHER PUBLICATIONS

Glynco Plastics Inc., Aug. 1983, see circled article, center, p. 14.

Glynco Plastics Inc., Aug. 1983, see circled article lower left, p. 6.

Primary Examiner—Nelson C. Holtje

Assistant Examiner—Martie Thompson

Attorney, Agent, or Firm—Hughes, Multer & Schacht

[57] **CLAIM**

The ornamental design for a card holder, as shown and described.

DESCRIPTION

FIG. 1 is a front perspective view of a card holder showing my new design;

FIG. 2 is a side elevational view thereof;

FIG. 3 is a front elevational view thereof;

FIG. 4 is a top plan view thereof;

FIG. 5 is a bottom plan view thereof; and,

FIG. 6 is a rear elevational view thereof.

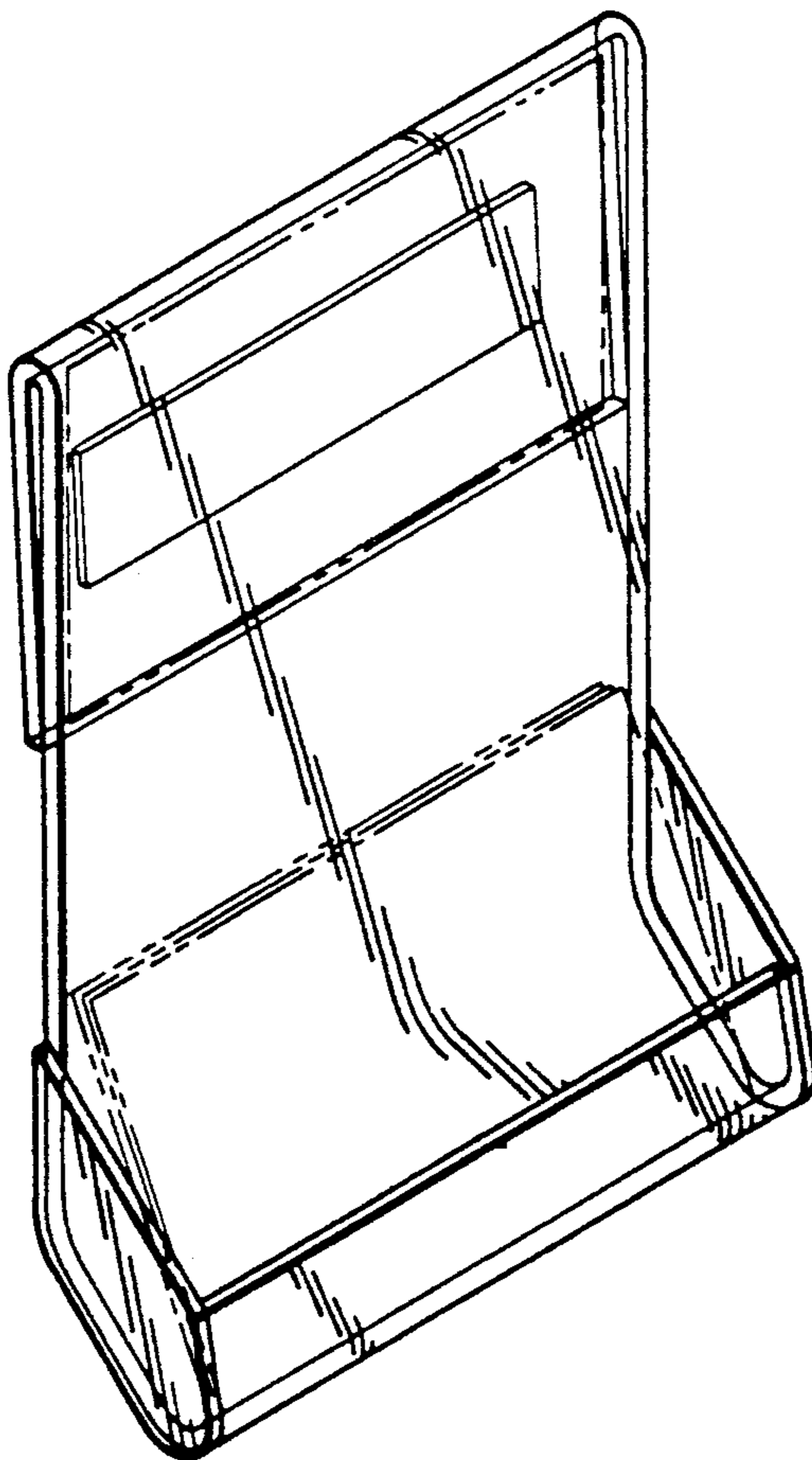


FIG. 1

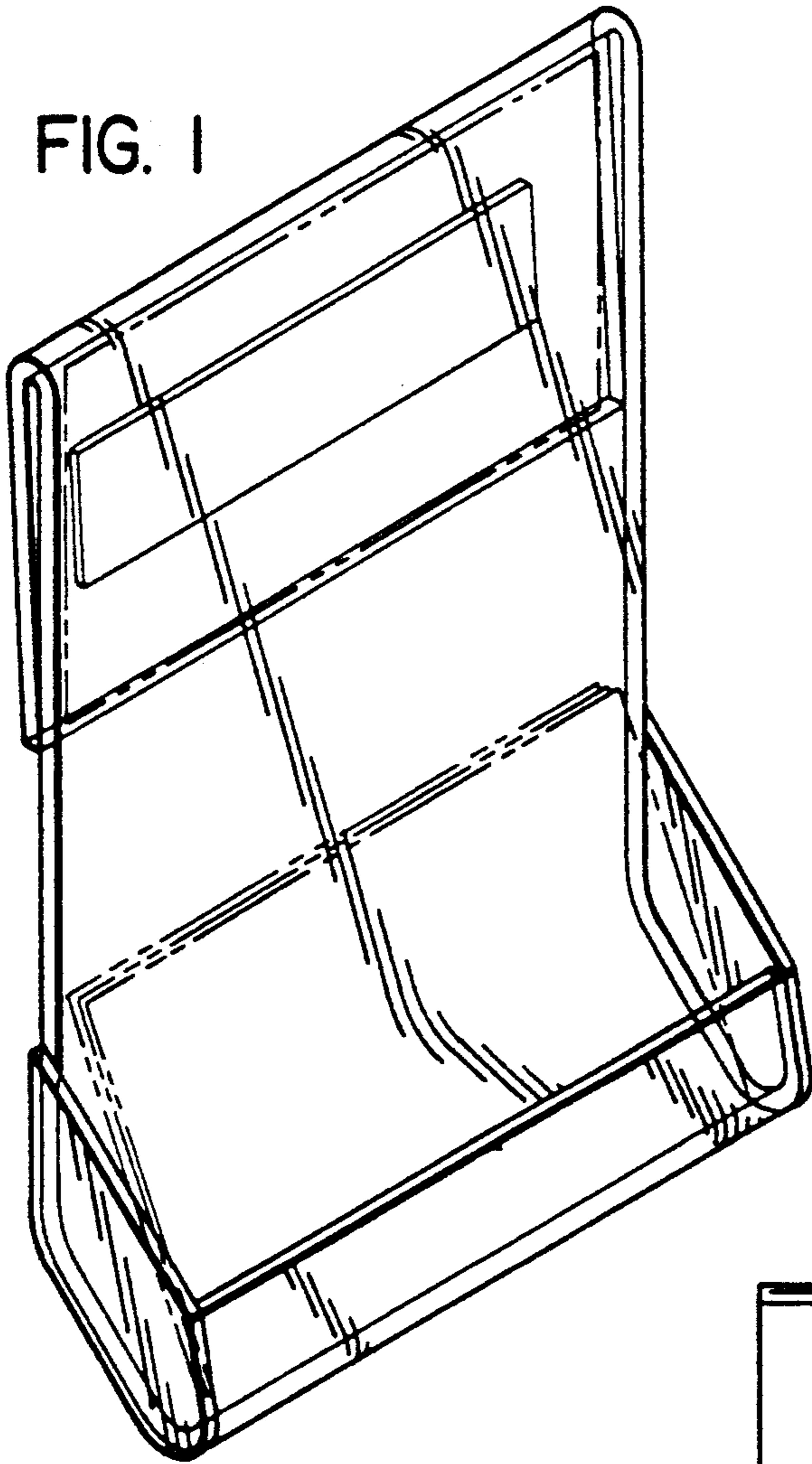


FIG. 2

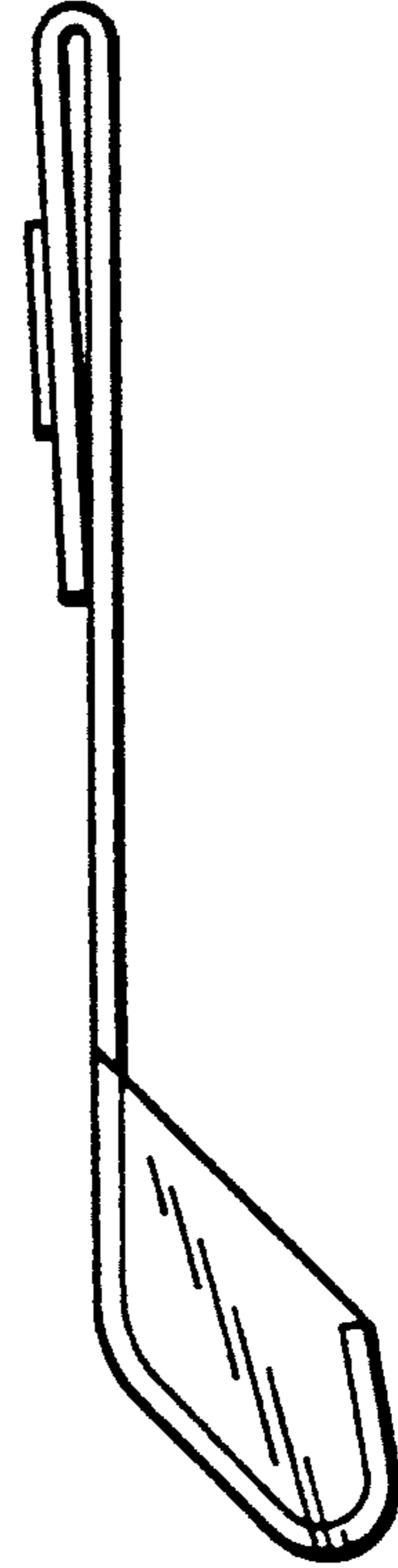


FIG. 3

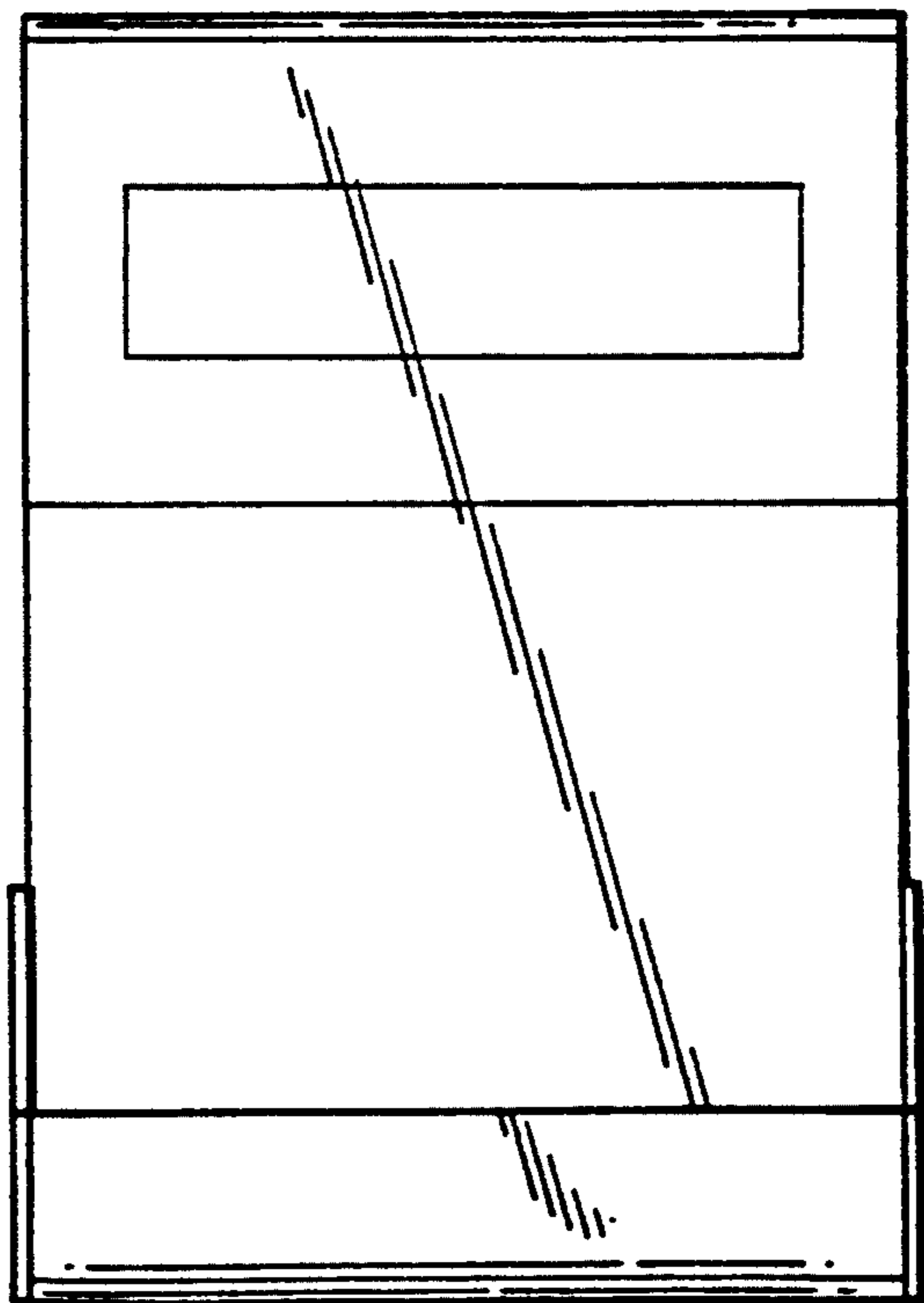


FIG. 4

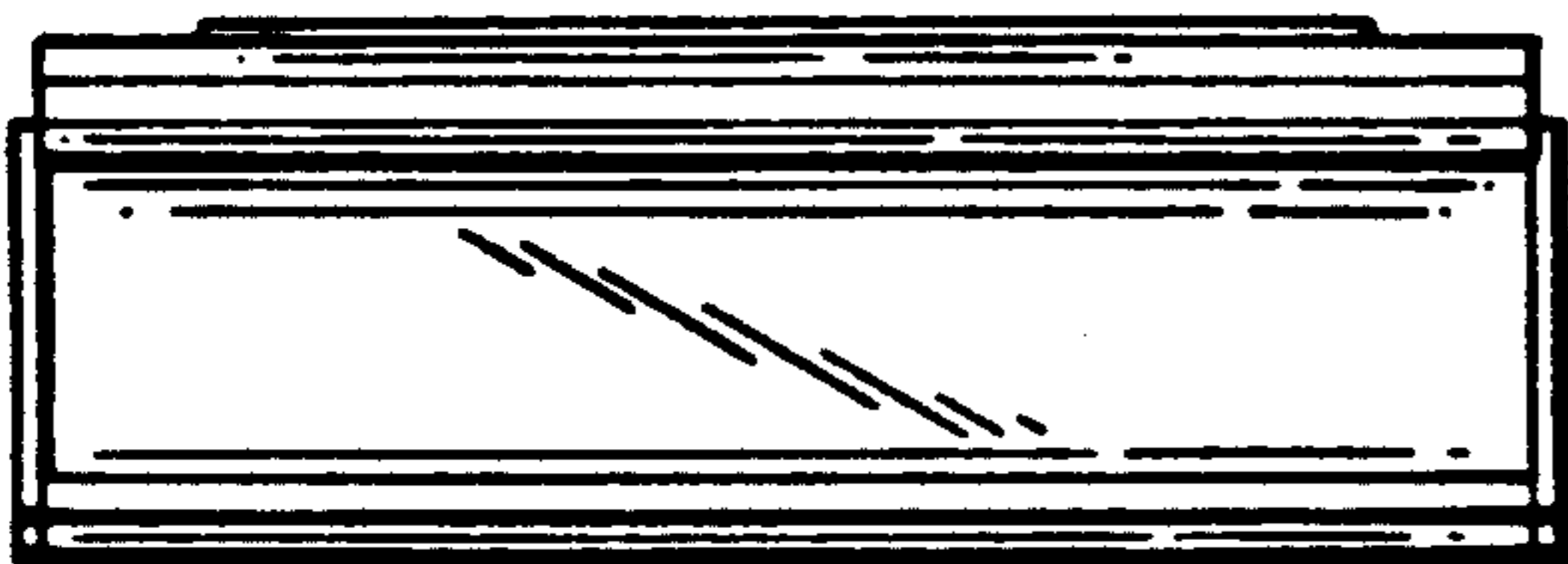


FIG. 5

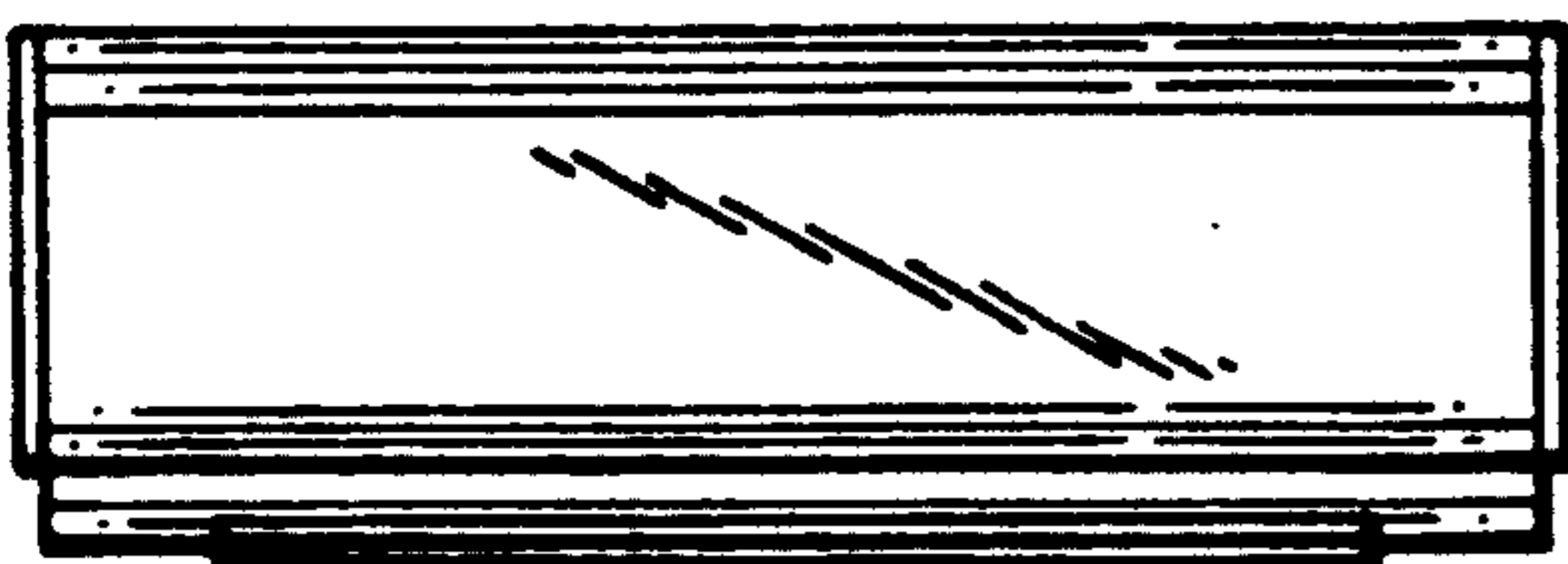


FIG. 6

