



US00D348480S

United States Patent [19]

[11] Patent Number: **Des. 348,480**

Ujita et al.

[45] Date of Patent: **** Jul. 5, 1994**

[54] INK CARTRIDGE FOR PRINTER

[75] Inventors: **Toshihiko Ujita**, Yamato; **Kenjiro Watanabe**, Tokyo; **Yasuo Kotaki**, Yokohama; **Kazuhiro Nakazima**, Yokohama; **Yamakawa Koji**, Yokohama; **Torachika Osada**, Yokohama; **Hidemi Kubota**, Komae; **Yohei Sato**, Yokohama; **Keiichiro Tsukuda**, Kawasaki; **Masanori Takenouchi**, Yokohama; **Kayomi Sato**, Kawasaki, all of Japan

[73] Assignee: **Canon Kabushiki Kaisha**, Tokyo, Japan

[**] Term: **14 Years**

[21] Appl. No.: **2,943**

[22] Filed: **Dec. 23, 1992**

[30] Foreign Application Priority Data

Jul. 17, 1992 [JP] Japan 4-21467

[52] U.S. Cl. **D18/56**

[58] Field of Search 346/140 R, 140 PD, 75; 400/471; 101/333-335; D18/12, 40, 43, 56

[56] References Cited

U.S. PATENT DOCUMENTS

D. 327,496	6/1992	Karita et al.	D18/56
D. 331,939	12/1992	Ujita	D18/12
D. 338,224	8/1993	Ujita	D18/12
D. 338,232	8/1993	Kotaki et al.	D18/56
D. 338,234	8/1993	Watanabe et al.	D18/56
D. 338,489	8/1993	Ujita et al.	D18/56
4,131,899	12/1978	Christou	346/140 R
4,992,802	2/1991	Dion et al.	346/75
5,187,498	2/1993	Burger	346/140 R

FOREIGN PATENT DOCUMENTS

0004954 1/1988 Japan 346/140 R

Primary Examiner—Cathy Anne MacCormac
Attorney, Agent, or Firm—Fitzpatrick, Cella, Harper & Scinto

[57] CLAIM

The ornamental design for an ink cartridge for printer, as shown and described.

DESCRIPTION

FIG. 1 is a front elevational view of an ink cartridge for printer showing our new design;
FIG. 2 is a rear elevational view thereof;
FIG. 3 is a top plan view thereof;
FIG. 4 is a bottom plan view thereof;
FIG. 5 is a left side elevational view thereof;
FIG. 6 is a right side elevational view thereof;
FIG. 7 is a perspective view thereof.

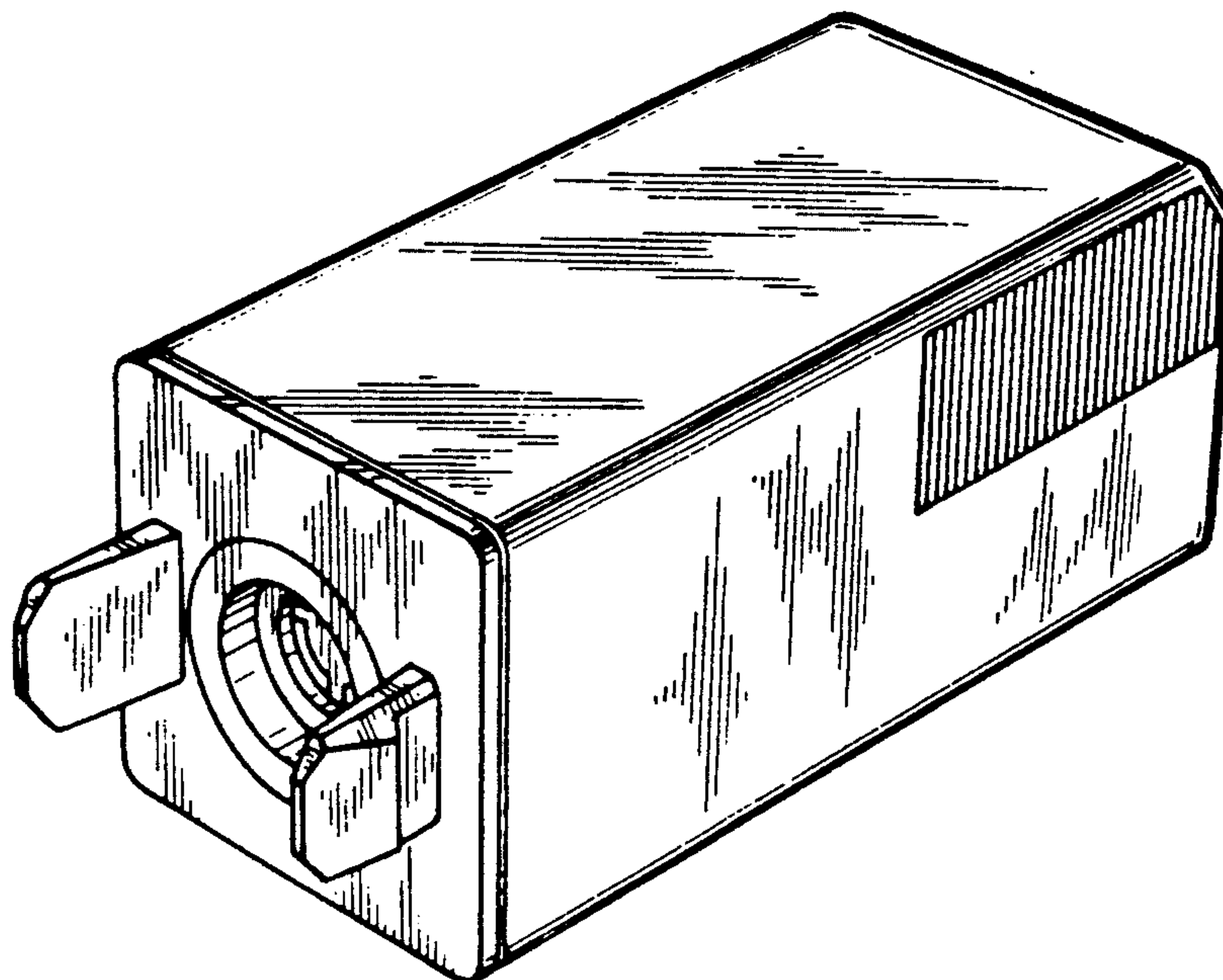


FIG. 1

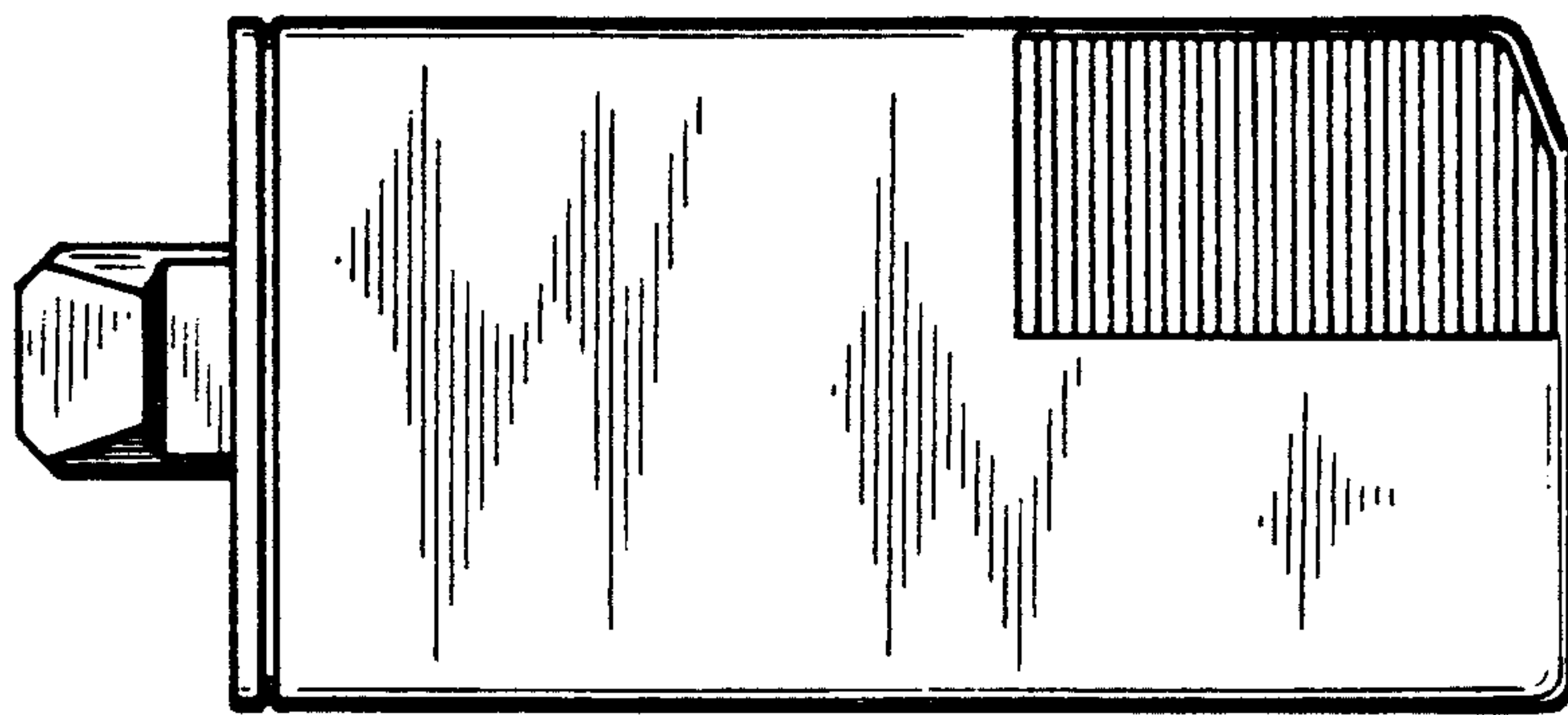


FIG. 2

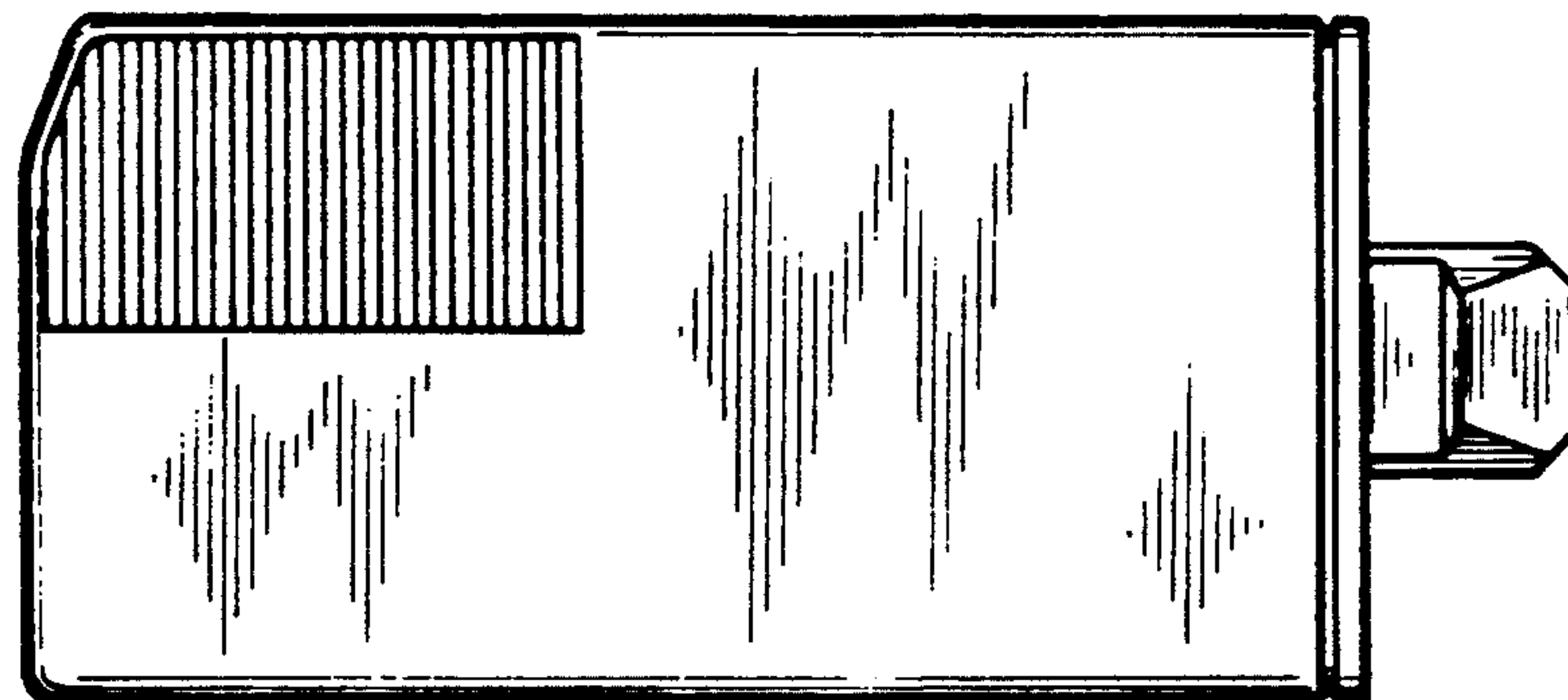


FIG. 3

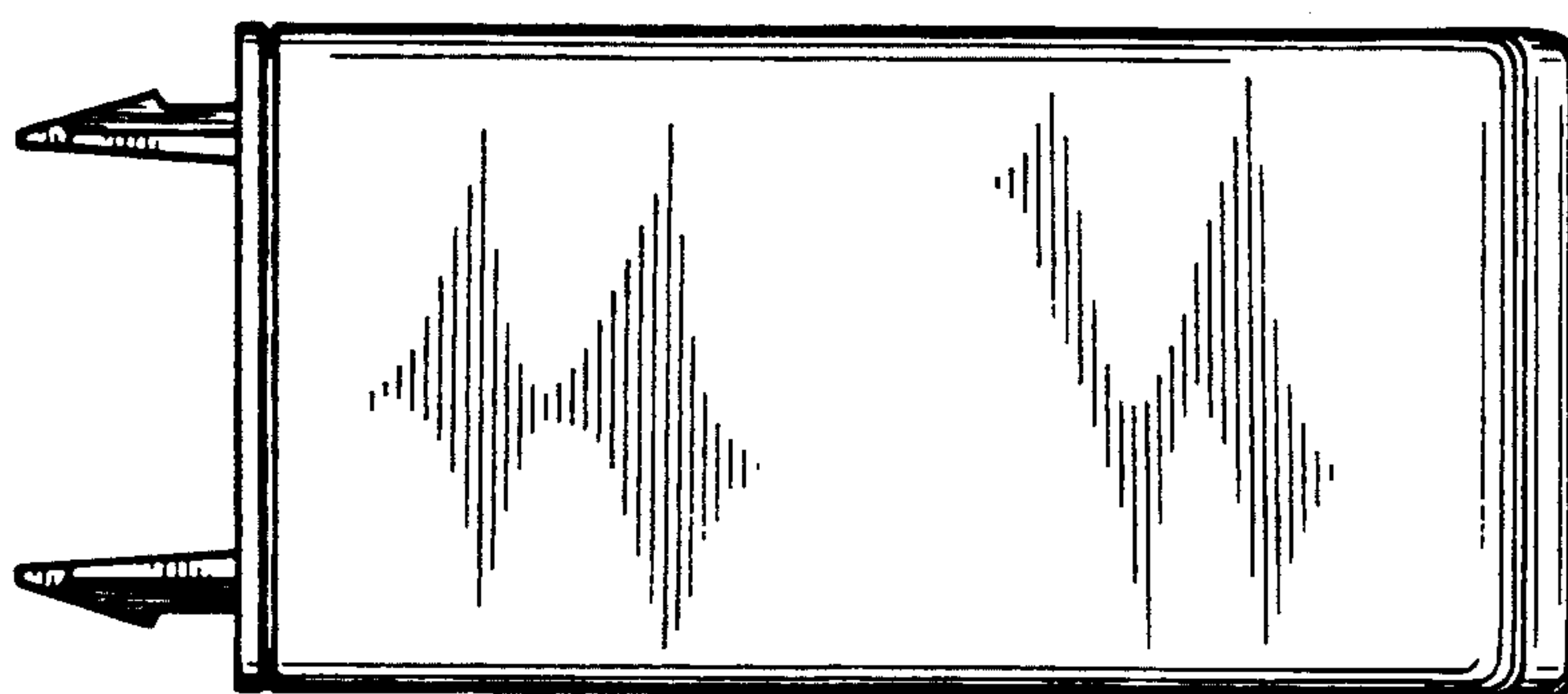


FIG. 4

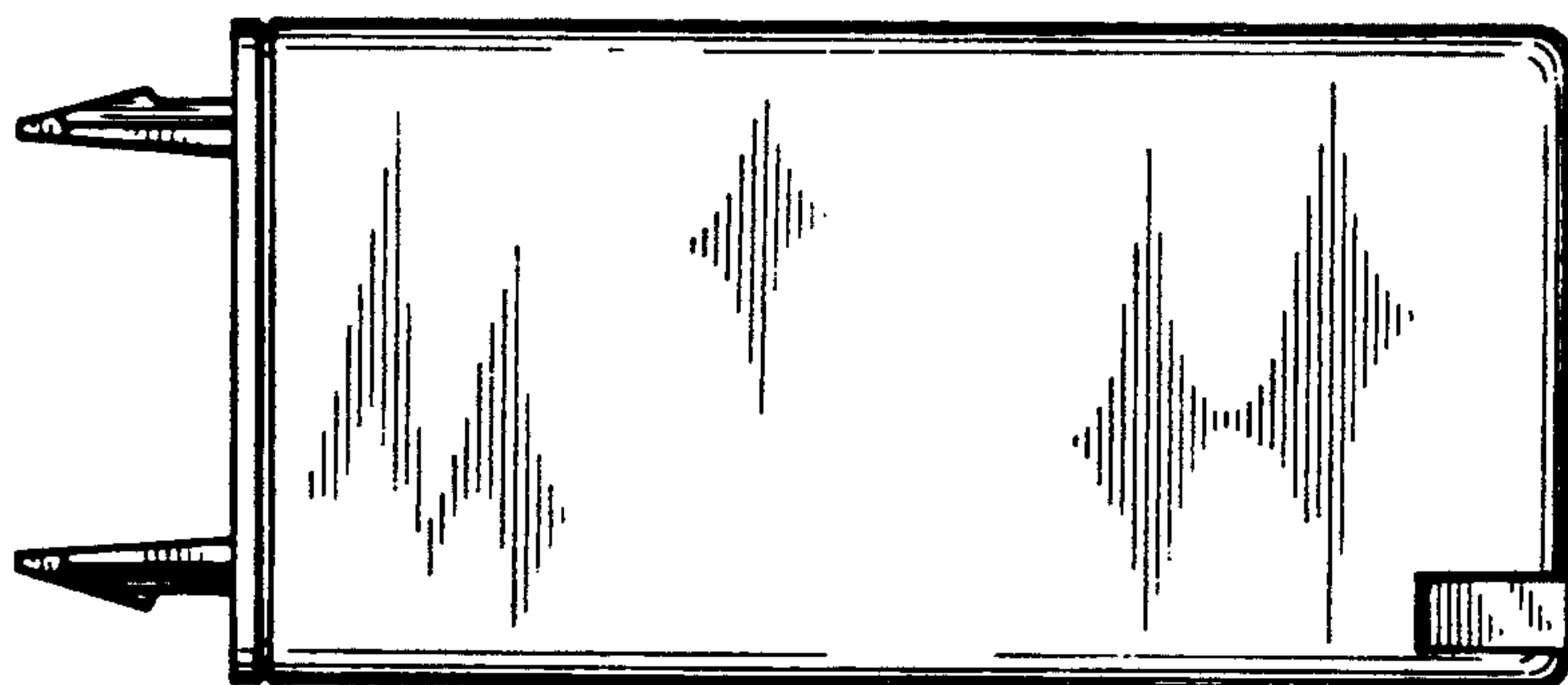


FIG. 5

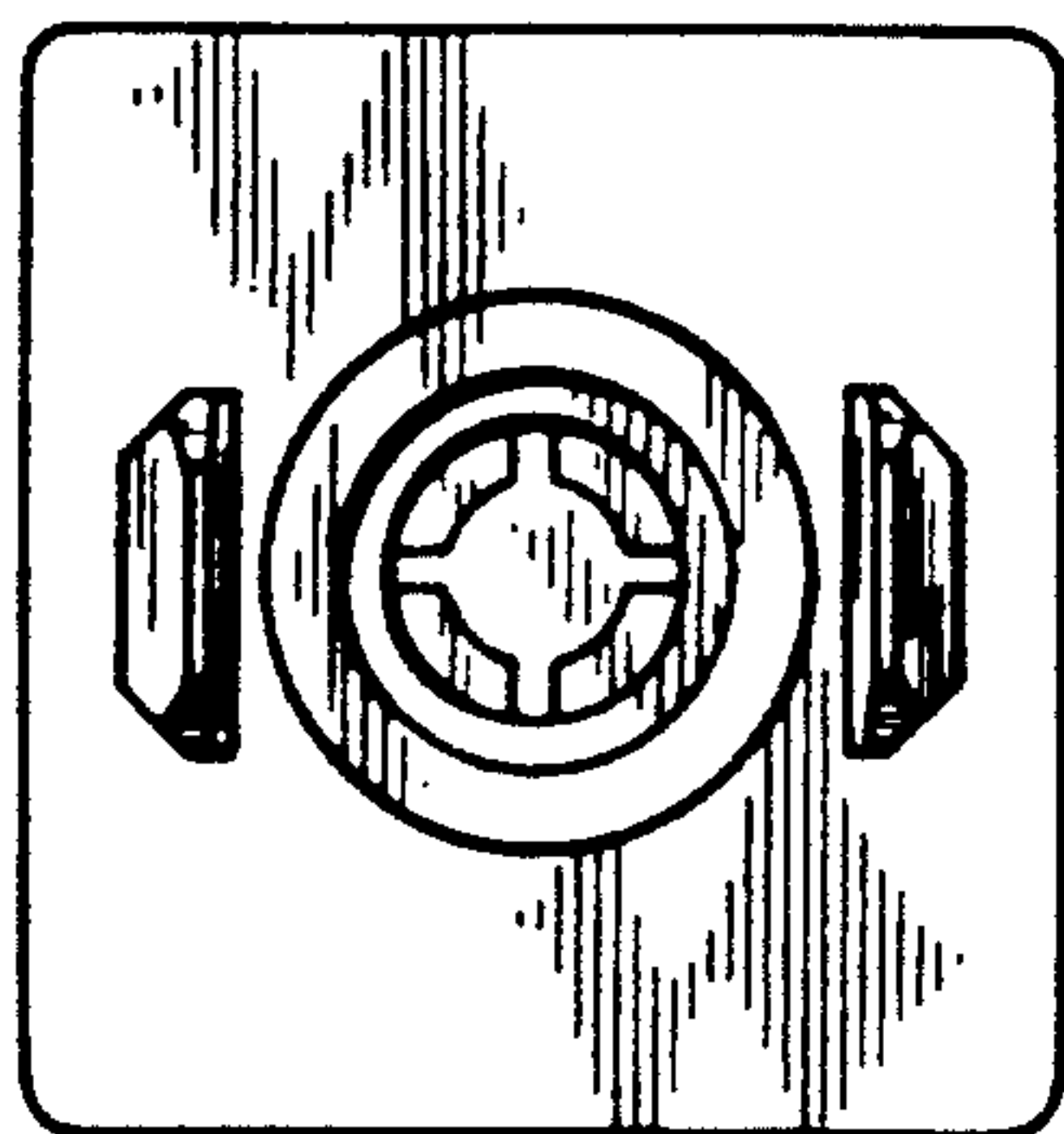


FIG. 6

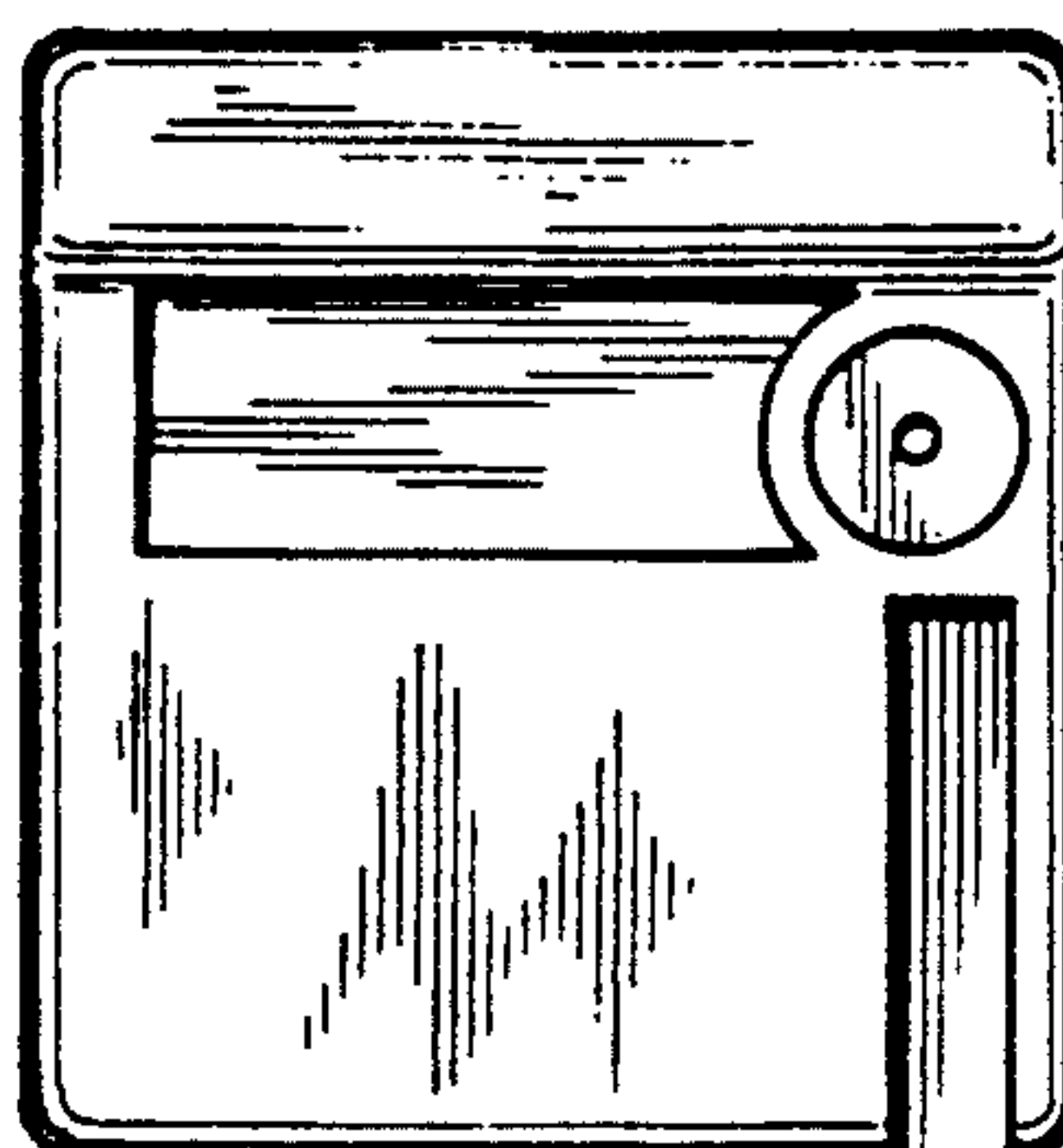
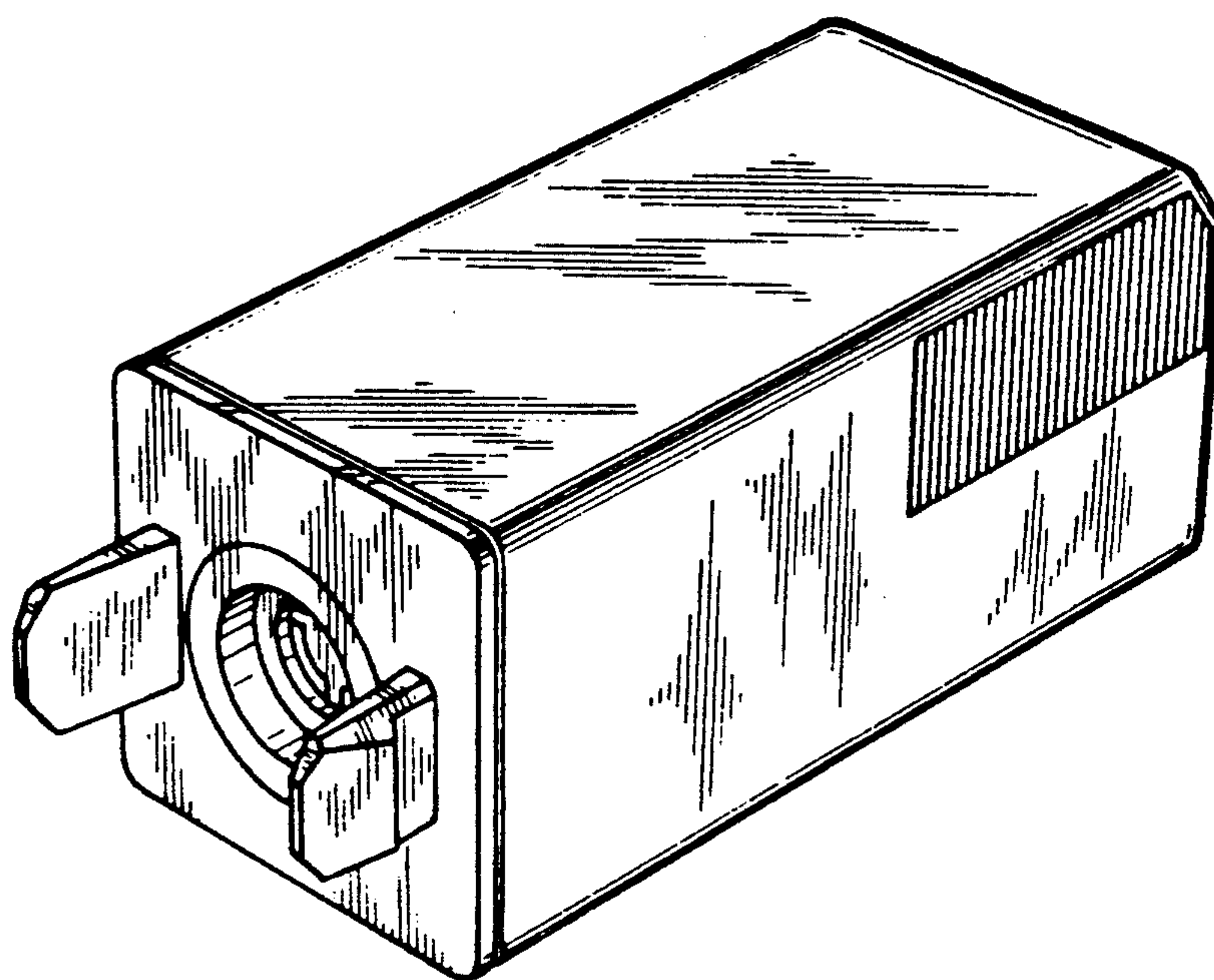


FIG. 7



UNITED STATES PATENT AND TRADEMARK OFFICE
CERTIFICATE OF CORRECTION

PATENT NO. : Des. 348,480

DATED : July 5, 1994

INVENTORS : TOSHIHIKO UJITA ET AL.

It is certified that error appears in the above-identified patent and that said Letters Patent is hereby corrected as shown below:

ON THE TITLE PAGE

At [75] Inventors

"Yamakawa Koji" should read --Koji Yamakawa--.

Signed and Sealed this
Twenty-first Day of March, 1995

Attest:



BRUCE LEHMAN

Attesting Officer

Commissioner of Patents and Trademarks