



US00D348476S

United States Patent [19]

O'Connor

[11] Patent Number: **Des. 348,476**

[45] Date of Patent: **** Jul. 5, 1994**

[54] SNARE DRUM PRACTICE PAD

[76] Inventor: **David O'Connor**, 396 Broadway, Bethpage, N.Y. 11714

[**] Term: **14 Years**

[21] Appl. No.: 1,069

[22] Filed: **Nov. 2, 1992**

[52] U.S. Cl. **D17/22**

[58] Field of Search 84/411 R, 411 A, 411 M, 84/411 P, 419, 420, 421, DIG. 12; D17/22, 99

[56] References Cited

U.S. PATENT DOCUMENTS

D. 285,572	9/1986	Hoshino	D17/22
D. 296,447	6/1988	Jowitt	D17/22
D. 298,951	12/1988	Benson et al.	D17/22
D. 319,650	9/1991	Hart	D17/22
4,406,207	9/1983	Criscione	84/411 P
4,581,972	4/1986	Hoshino	84/411 P
5,140,889	8/1992	Segan et al.	84/411 R

OTHER PUBLICATIONS

Grossman Music Corp., Catalog, 1968, p. 90 (Practice Drum at the left).

Primary Examiner—Bernard Ansher
Assistant Examiner—Adir Aronovich
Attorney, Agent, or Firm—Richard L. Miller

[57] CLAIM

The ornamental design for snare drum practice pad, as shown and described.

DESCRIPTION

FIG. 1 is a top plan view of a snare unit of a drum practice pad set showing my new design;
 FIG. 2 is a side elevational view thereof, the undisclosed opposite side being a mirror image to the side shown;
 FIG. 3 is a front elevational view thereof;
 FIG. 4 is a rear elevational view thereof;
 FIG. 5 is a bottom plan view thereof;
 FIG. 6 is a top plan view of a tom tom unit of a drum practice pad set showing my new design;
 FIG. 7 is a side elevational view taken in the direction of arrow 7 in FIGS. 6 and 8, a view in the opposite direction being a mirror image thereof;
 FIG. 8 is a side elevational view taken in the direction of arrow 8 in FIGS. 6 and 7 thereof;
 FIG. 9 is a side elevational view taken in the direction of arrow 9 in FIGS. 6 and 7 thereof;
 FIG. 10 is a bottom plan view taken in the direction of arrow 10 in FIG. 7 thereof;
 FIG. 11 is a top plan view of a bass unit of a drum practice pad set showing my new design;
 FIG. 12 is a side elevational view taken in the direction of arrow 12 in FIGS. 11 and 13, a view in the opposite direction being a mirror image thereof;
 FIG. 13 is a side elevational view taken in the direction of arrow 13 in FIGS. 11 and 12 thereof;
 FIG. 14 is a side elevational view taken in the direction of arrow 14 in FIGS. 11 and 12 thereof; and,
 FIG. 15 is a bottom plan view taken in the direction of arrow 15 in FIG. 12 thereof.

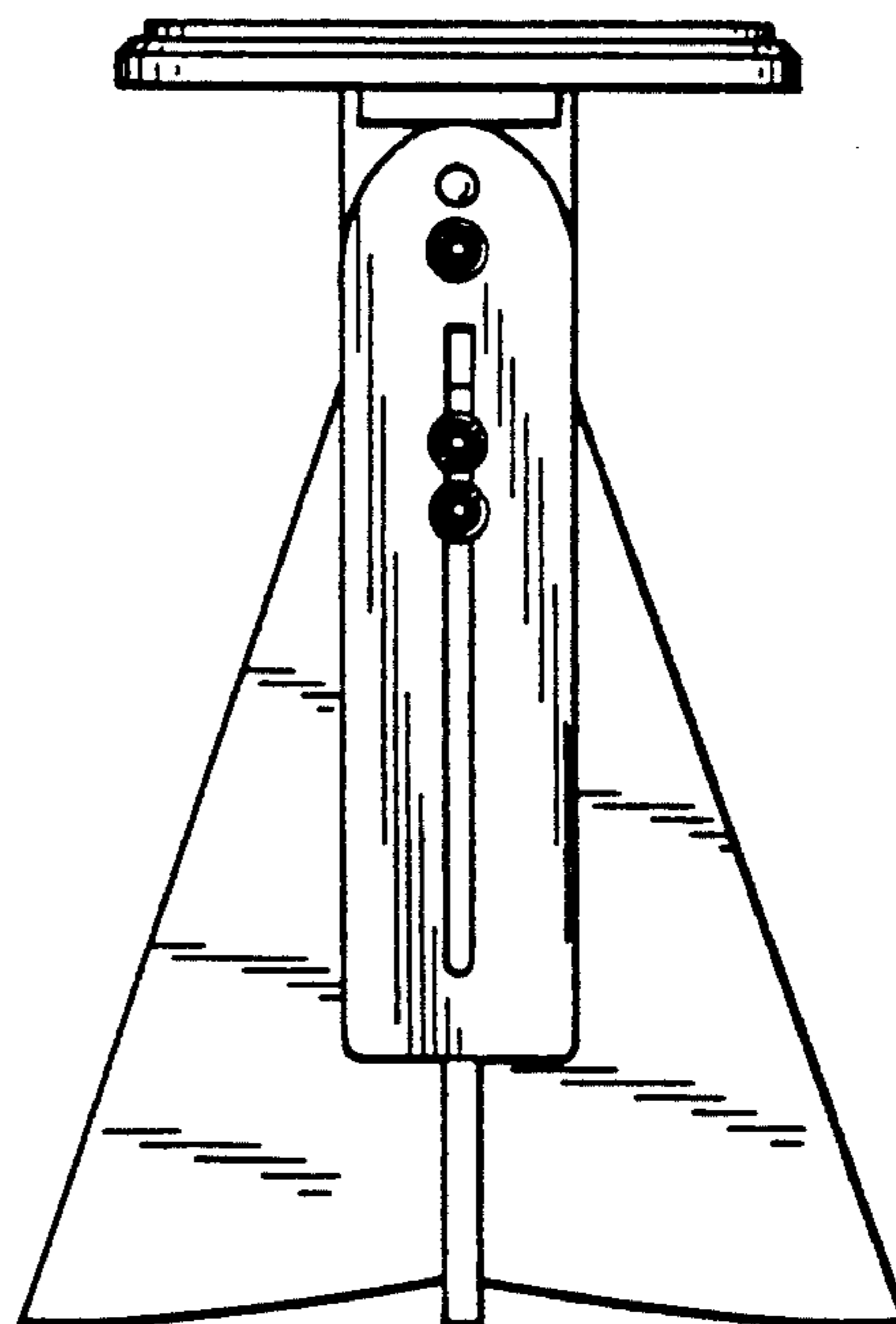
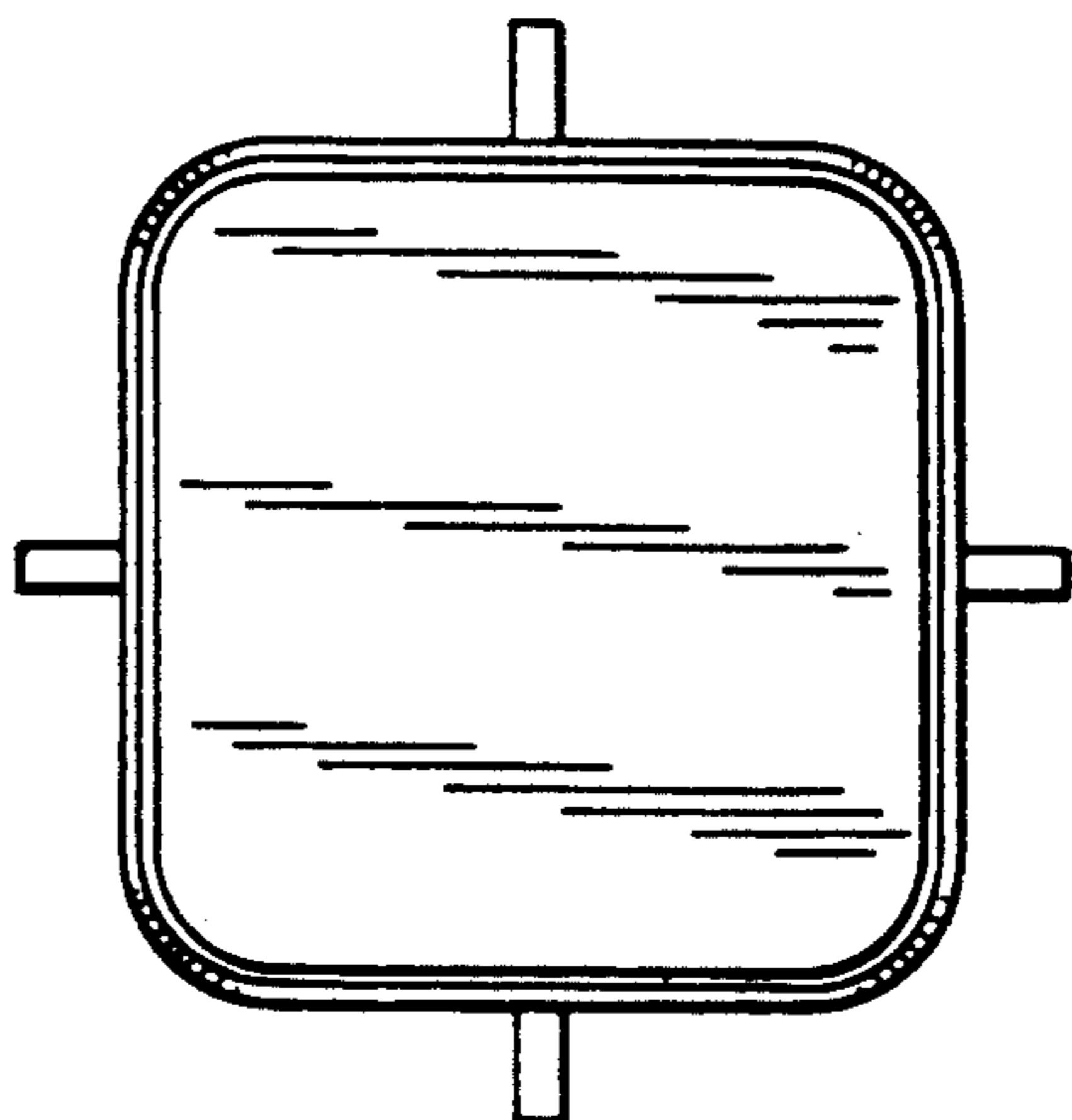


FIG. 1

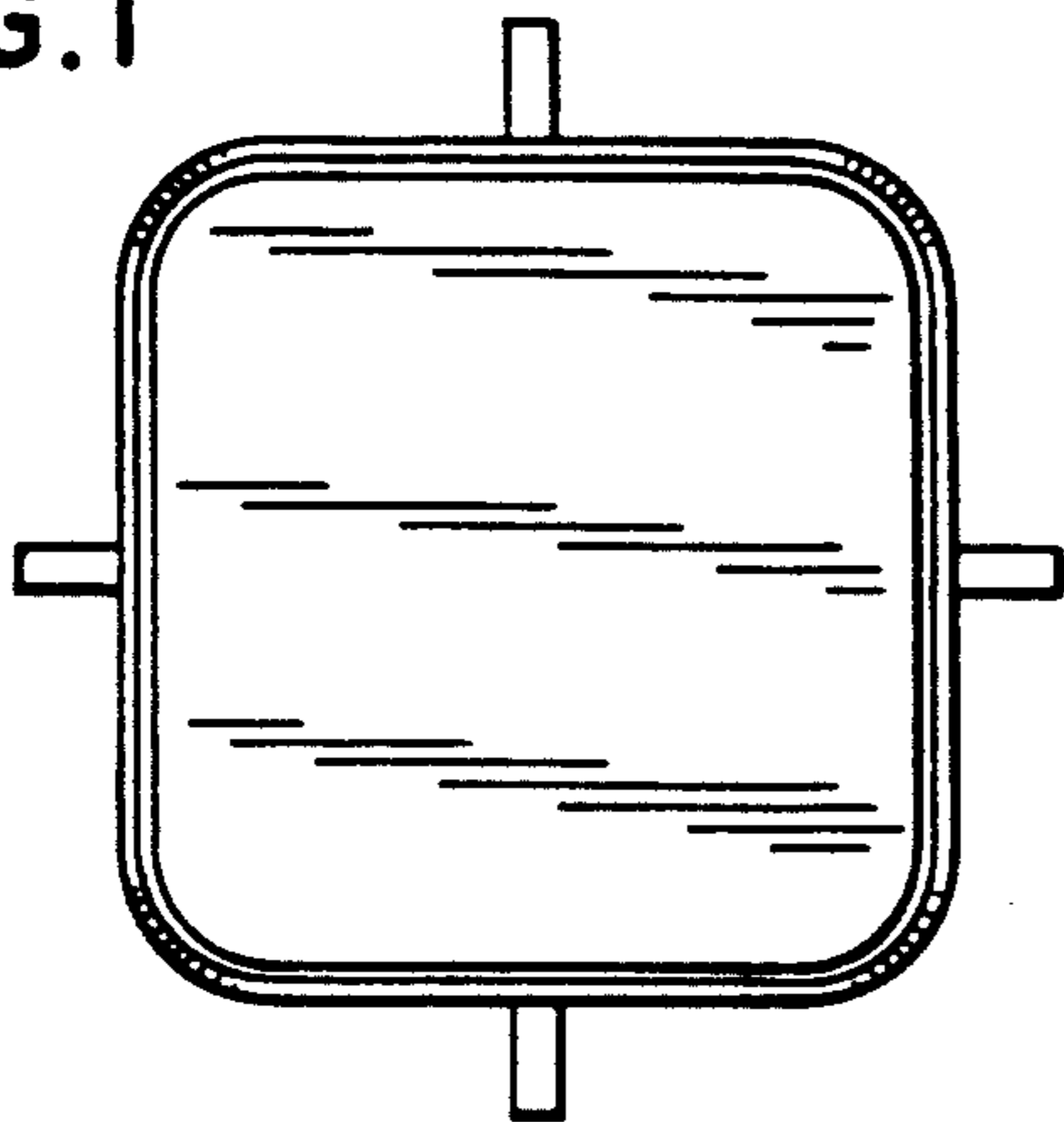


FIG. 3

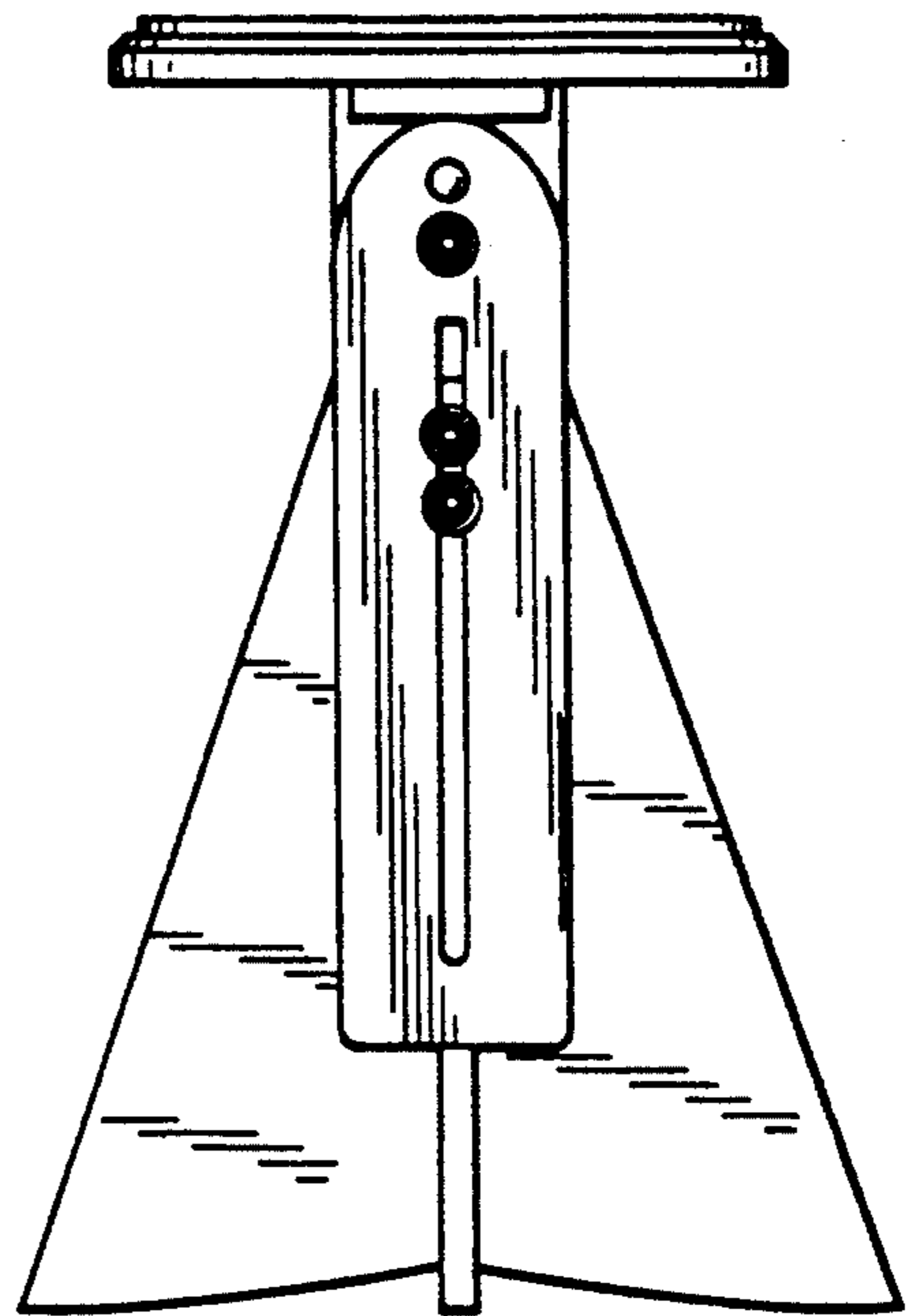


FIG. 2

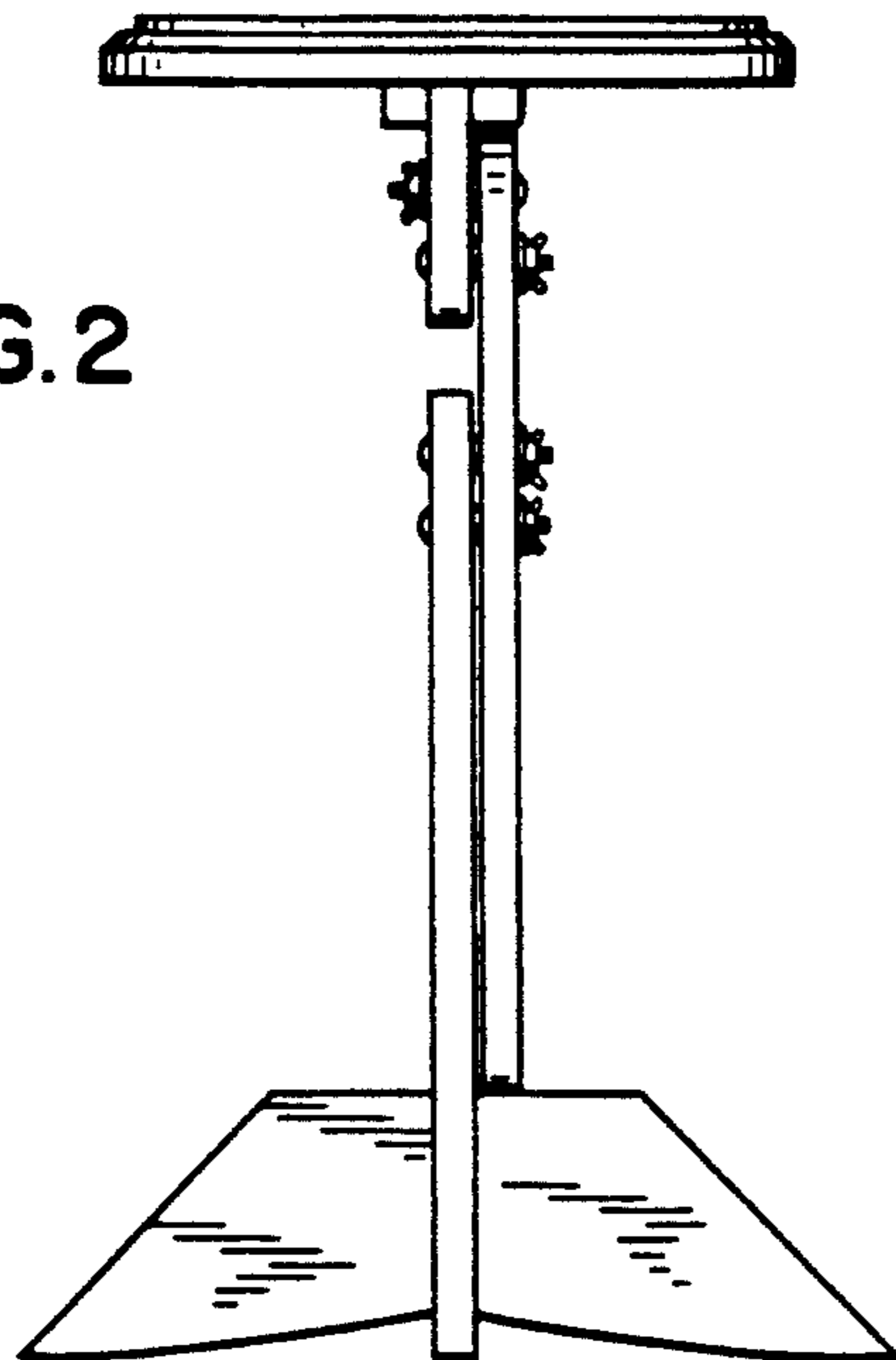


FIG. 4

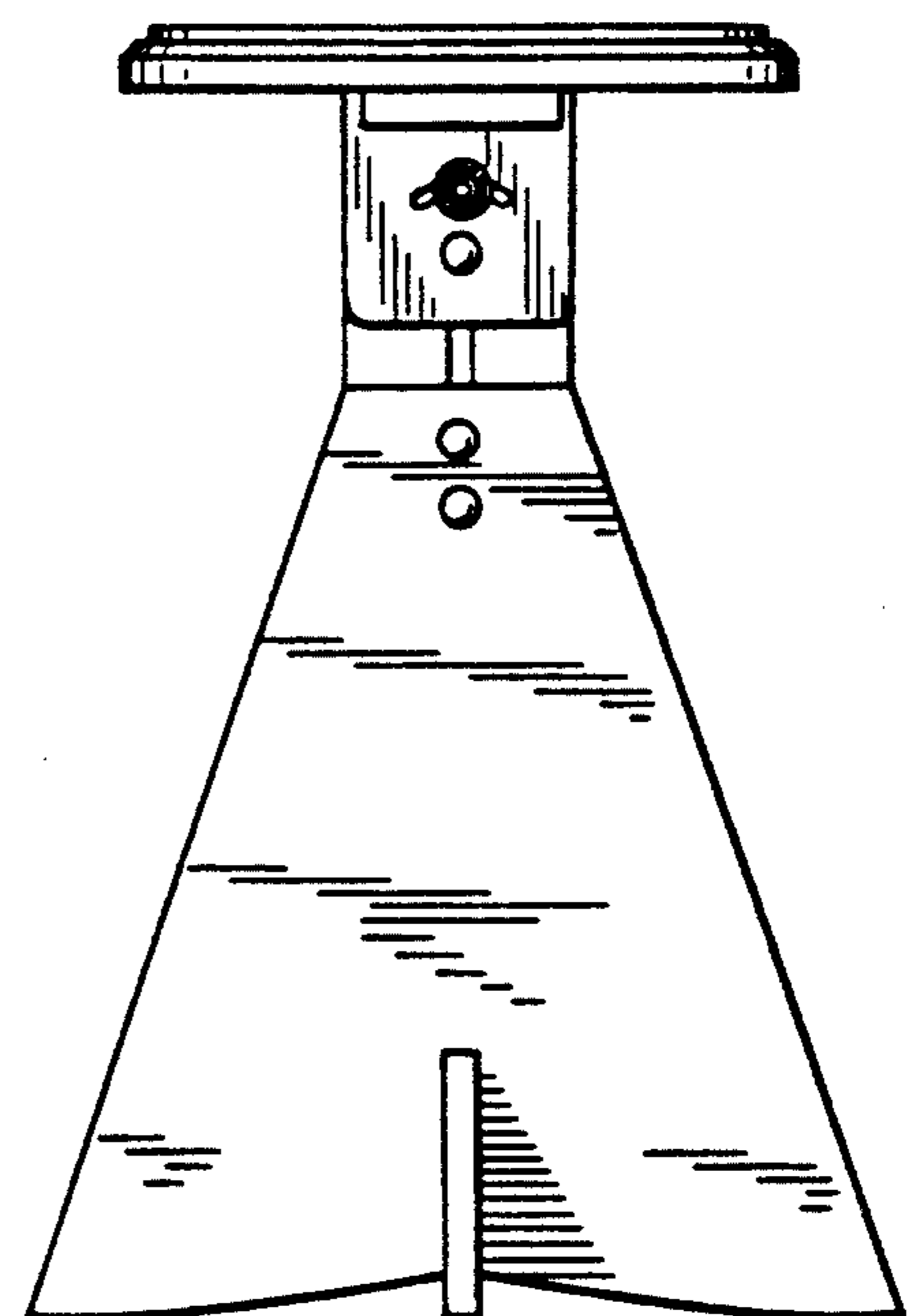


FIG. 5

